

5

4

3

2

1

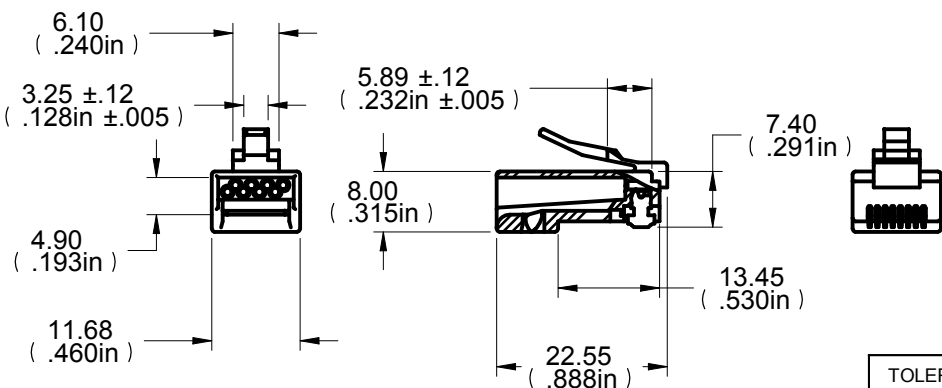
DRAWING NO.  
32-6198UL - CUST

REVISIONS

01 OFFICIAL RELEASE

03-20-09 T W B Y T

Description: Cat6 RJ45 with load bar UIL  
 Part No: 32-6198UL  
 Application: Modular Plug  
 Crimp Tool: N/A  
 Insulation Resistance: 1000 Ohms  
 Frequency Range: N/A  
 Material: Housing Polycarbonate  
 Contact Phosphor bronze Gold plated  
 Insert bar Polycarbonate  
 RoHS Compliance: Yes  
 Technical Detail: N/A



**DIM OUTLINE**

CUSTOMER COPY

TOLERANCE UNLESS OTHERWISE SPECIFIED		DRAWN BY <b>TERRY.W</b>	DATE 03-20-09
DECIMALS	mm	CHECKED BY <b>BETTY.YU</b>	DATE 03-20-09
X	± 0.5	APPROVED BY <b>THOMAS</b>	DATE 03-20-09
X.X	± 0.3	U/M	mm
X.XX	± 0.1		
ANGLES	± 0.5°		



TITLE  
CAT6 RJ45 WITH LOAD BAR,UL

THIS DRAWING WAS PRODUCED BY COMPUTER,  
DO NOT SCALE DRAWING OR UPDATE MANUALLY.

SHEET 1 OF 1	DRAWING NO. 32-6198UL -CUST	SIZE A
-----------------	--------------------------------	-----------

5

4

3

2

1

# Mouser Electronics

Authorized Distributor

Click to View Pricing, Inventory, Delivery & Lifecycle Information:

[Cinch Connectivity Solutions:](#)

[32-6198UL](#)