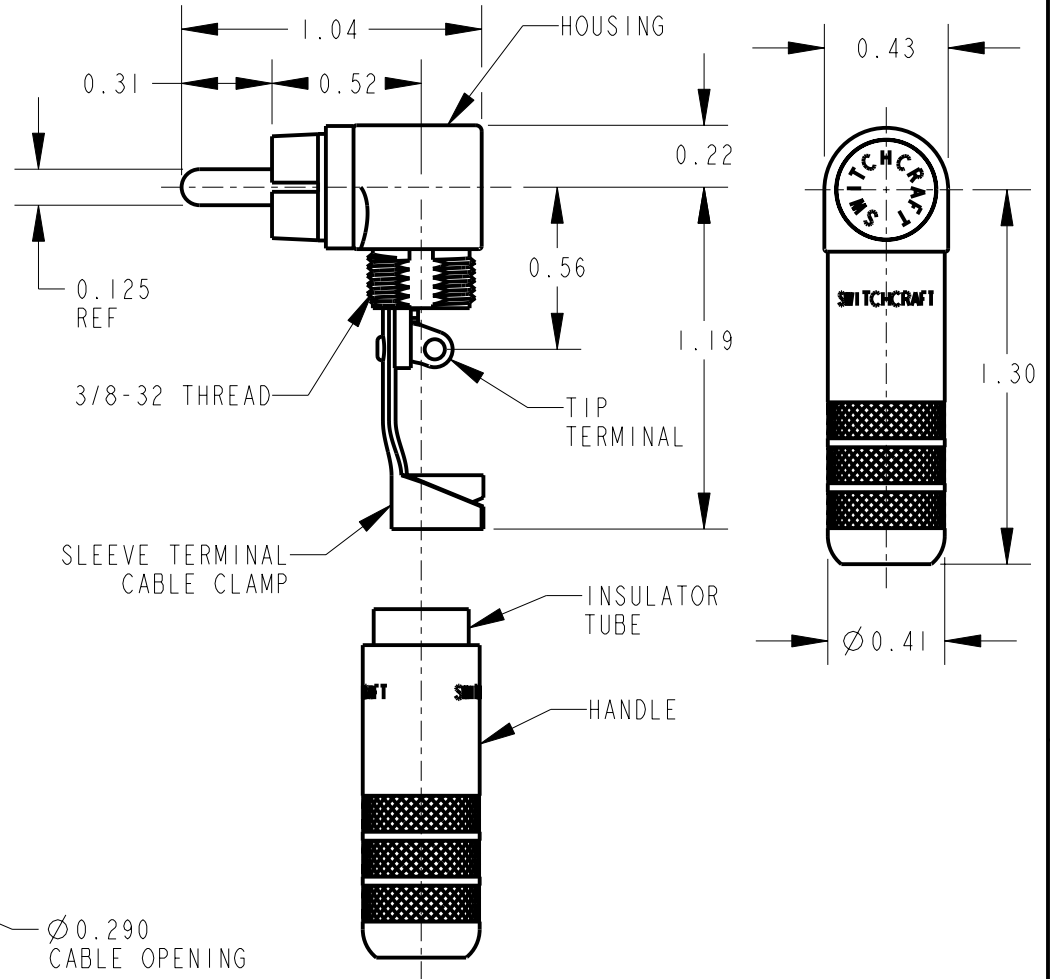
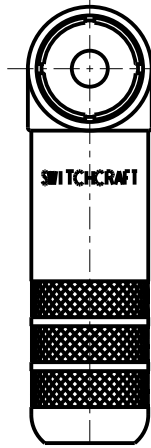
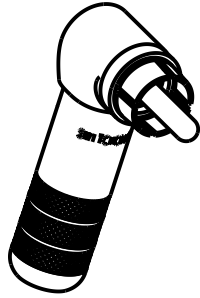


PART NUMBER	PHONO PLUG FINISH	HANDLE & HOUSING FINISH
3502RA	NICKEL PLATED	NICKEL PLATED
3502RAAU	GOLD PLATED	NICKEL PLATED
3502RABAU	GOLD PLATED	BLACK CHROME



NOTES:
1. HANDLE AND INSULATOR SHIPPED UNASSEMBLED.

2. MATERIALS:
HOUSING - ZINC ALLOY, SEE TABLE FOR FINISH
PHONO PLUG - BRASS, SEE TABLE FOR FINISH
PHONO PLUG INSULATOR - PHENOLIC
SLEEVE TERMINAL - CRS, TIN PLATED
TIP TERMINAL - BRASS, TIN PLATED
TERMINAL INSULATOR - THERMOPLASTIC, BLACK
HOUSING END CAP - BRASS, NICKEL PLATED
GOLD PLATED ON P/N 3502RABAU
INSULATOR TUBE - MYLAR
HANDLE - BRASS, SEE TABLE FOR FINISH

3. THIS PRODUCT IS RoHS COMPLIANT.

CUSTOMER DRAWING

					★ STAR SYMBOL DENOTES CRITICAL DIMENSION	THIS DRAWING DESCRIBES A DESIGN CONSIDERED PROPRIETARY IN NATURE, DEVELOPED AND MANUFACTURED BY SWITCHCRAFT INC. AND IS RELEASED ON A CONFIDENTIAL BASIS FOR IDENTIFICATION PURPOSES ONLY.					
					UNLESS OTHERWISE SPECIFIED	SIZE	WIDTH	MULT	LBS/M	TEMPER	
					1. ALL DIMENSIONS IN INCHES - TWO PLACE DECIMALS ± 0.01 - THREE PLACE DECIMALS ± 0.005 - ANGLES $\pm 1^\circ$ - ALL DIA. CONCENTRIC WITHIN 0.005 T.I.R.	FINISH		MATERIAL			
					2. FEATURES ON THE SAME CENTERLINE MUST BE ALIGNED WITHIN ± 0.002	SPEC No.		SPEC No.			
					3. REMOVE ALL BURRS	FIRST USED ON		SCALE		Switchcraft®	
						DATE DRAWN	BY	CHKD	APVD		
						24-Nov-09	TJK	TJK	TJK		
								11-24-09	11-24-09		
						NAME			PART No.		REV
						RIGHT ANGLE PHONO PLUG, RoHS			3502RA SERIES		B
REVISIONS					DO NOT SCALE DRAWING						

Mouser Electronics

Authorized Distributor

Click to View Pricing, Inventory, Delivery & Lifecycle Information:

[Switchcraft:](#)

[3502RABAU](#) [3502RAAU](#) [3502RA](#)