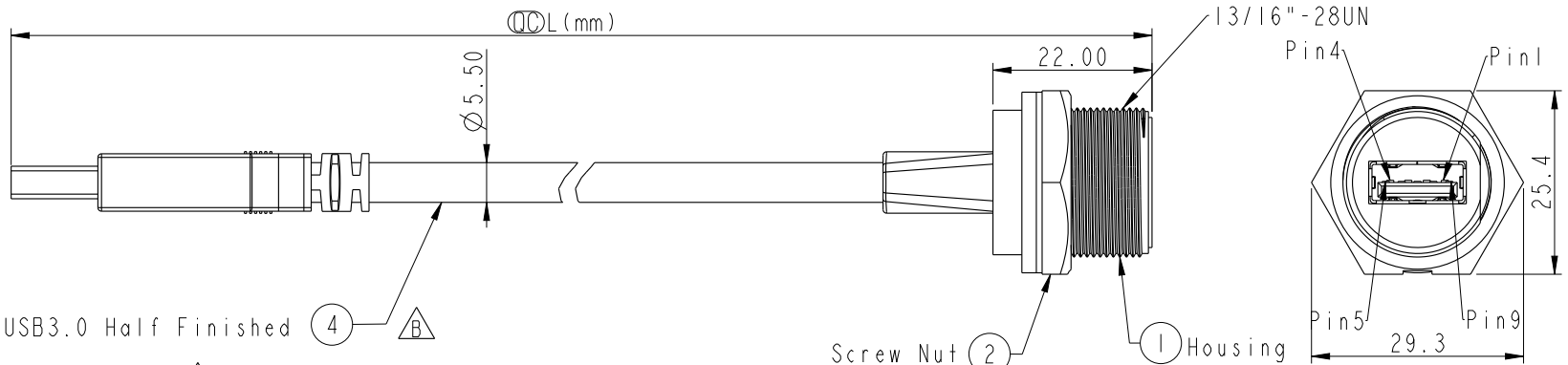


**ALTW**  
**CONFIDENTIAL**  
 2013-11-25  
**R&D DEPT.**

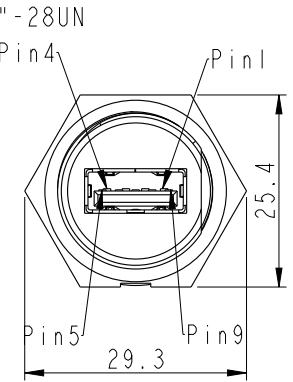
REV.	ECN NO.	DATE	SIGN	DESCRIPTION
B	LE313C0042	2013-11-25	Tom_gu	Change Tolerance And Length



Conn.2

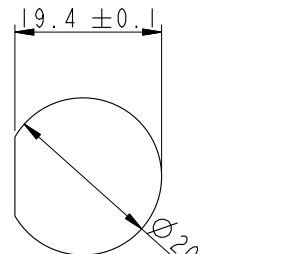


USB3.0 Half Finished

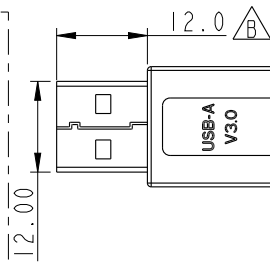


Conn.1

Waterproof Rate: IP67



Recommended Panel Cut-Out

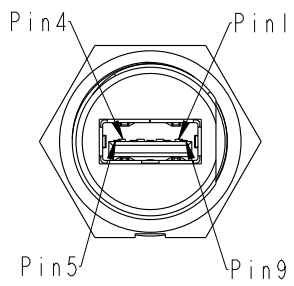


With Liquid Glue

UA-30PMF-SD7BXX

△	XX	: 150~300mm
	15	: 150mm
	20	: 200mm
	30	: 300mm

Cable Length(L): 150~300mm



Pin Assignments Front View

Shield	Braid	編織	Shield	
9	Orange	28AWG	橙	Twist
8	Purple	28AWG	紫	
7	Drain	28AWG	地線	Twist
6	Yellow	28AWG	黃	
5	Blue	28AWG	藍	Twist
	Drain	28AWG	地線	
4	Black	28AWG	黑	Twist
3	Green	28AWG	綠	
2	White	28AWG	白	Twist
1	Red	28AWG	紅	
Conn.1	Wire Color		Conn.2	
	Pin Out			

- Note:
- \* (Circled L) Important Dimension.
  - \* Housing: ABS, Black
  - \* Screw Nut: Nylon+GF, Black
  - \* Gasket: Silicone, Gray
  - \* Jack: USB3.0-A Female Solder
  - \* Cable: USB 3.0, (1P\*28#+D+Al/My)\*2+1P\*28#+2C\*28#+F+Al+B, PVC Jacket, UV Resistant, OD=5.5mm, Black
  - \* Cable Length Tolerance: 150~300mm:±15mm
  - \* Use with waterproof cap or dust cap  
Panel Thickness max: 2.8mm
  - \* Use without waterproof cap or dust cap  
Panel Thickness max: 4.0mm
  - \* All of Drain twisted together.

**UNIT:mm**

TOLERANCE  
 .X ±0.25  
 .XX ±0.1  
 .XXX ±0.05  
 ANGLES ±1°

TITLE: USB3.0 Male A Type

SCALE: 1:1 SIZE: A4 SHEET: 1 OF 1

REV. B WC-REV. A.1 (Circled L): Inspection item

**Amphenol LTW**  
 安費諾亮泰企業股份有限公司

ITEM NO.	DRAWN BY	DATE
	Tom_gu	2013-11-25
DWG NO.	CHECKED BY	DATE
UA-30PMF-SD7BXX	Mafei	2013-11-25
CUSTOMER	APPROVED BY	DATE
ALTW	Victor	2013-11-25

THIS DOCUMENT IS SUBJECT TO CHANGE WITHOUT NOTICE. IT IS CONFIDENTIAL AND A PROPERTY OF Amphenol LTW. DISCLOSURE TO THIRD PARTY HAS TO BE AUTHORIZED BY Amphenol LTW.

# Mouser Electronics

Authorized Distributor

Click to View Pricing, Inventory, Delivery & Lifecycle Information:

[Amphenol:](#)

[UA-30PMF-SD7B30](#) [UA-30PMFL-SC7B30](#)