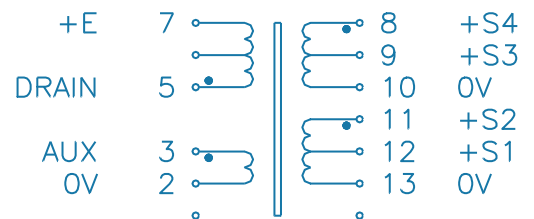
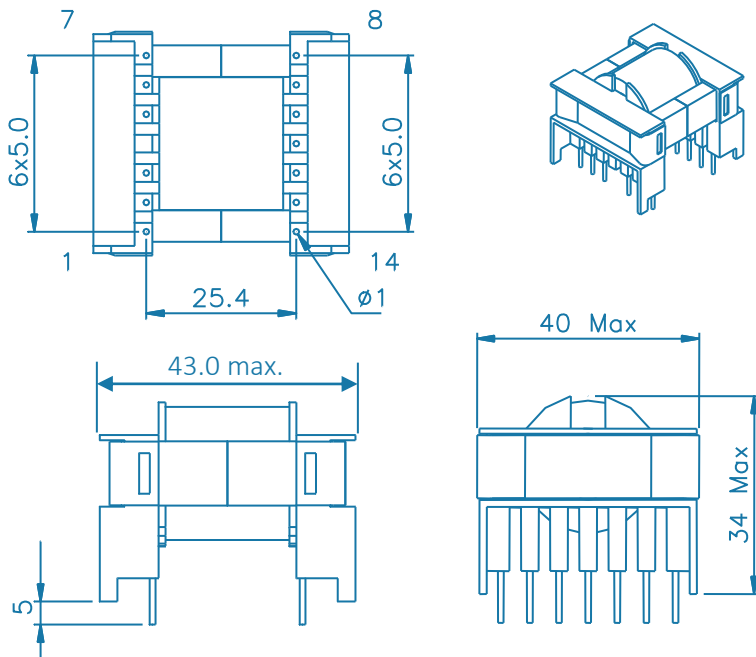


| | | | |
|------------------------|----------------------|--------------------------------------|---------------------------|
| Type FLYBACK | Size ETD34 | Output 5 + 12 V + 5 + 12 V | MYRRA P/N 74050 |
| Product designation | | | |

FLYBACK TRANSFORMER - ETD34 - 5 + 12 V

MECHANICAL CHARACTERISTICS - PINOUT



Pin 4 removed
Recommended PCB drilling diameter : 1.5 mm

ELECTRICAL CHARACTERISTICS

| MYRRA P/N | Maximum output power | Windings | | | | | |
|-----------|----------------------|--------------------------------|---------|--|----------------------------|---------------------|----------------------|
| | | | Pins | Turns | Voltage | Maximum current | Inductance (+/- 10%) |
| 74050 | 90 w | P | 5 - 7 | 36 | 85 ~ 265 V _{rms} | 2.8 A _{pk} | 0.50 mH |
| | | Aux. | 3 - 2 | 4 | 7.0 ~ 14.0 V _{DC} | 0.5 A _{DC} | |
| | | S1 | 12 - 13 | 2 | 3.3 ~ 6.5 V _{DC} | 5.0 A _{DC} | |
| | | S2 | 11 - 13 | 5 | 8.5 ~ 17.0 V _{DC} | 3.0 A _{DC} | |
| | | S3 | 9 - 10 | 2 | 3.3 ~ 6.5 V _{DC} | 5.0 A _{DC} | |
| | | S4 | 8 - 10 | 5 | 8.5 ~ 17.0 V _{DC} | 3.0 A _{DC} | |
| | Typical uses | Outputs | | Connections of the windings | | | |
| | | 5.0 V - 6.0 A + 12.0 V - 5.0 A | | S1 + S2 and S3 + S4 in parallel | | | |
| | | 5.0 + 12.0 + 17.0 + 24.0 V | | S1 to S4 in series (pins 10 and 11 linked) | | | |

REMARKS

RoHS compliant

UL94 V-0 materials

Class B

Ambient temperature: 50 °C max.

P / S :

Creepage distances ≥ 8.0 mm

4.0 kV dielectric test

Construction conforms to IEC60950, IEC60335 and IEC61558-2-16 for reinforced isolation