

5

4

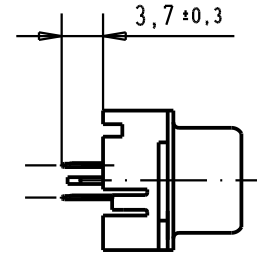
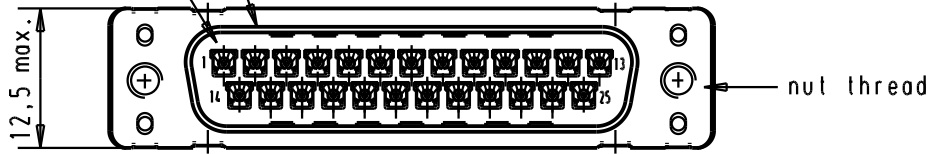
3

2

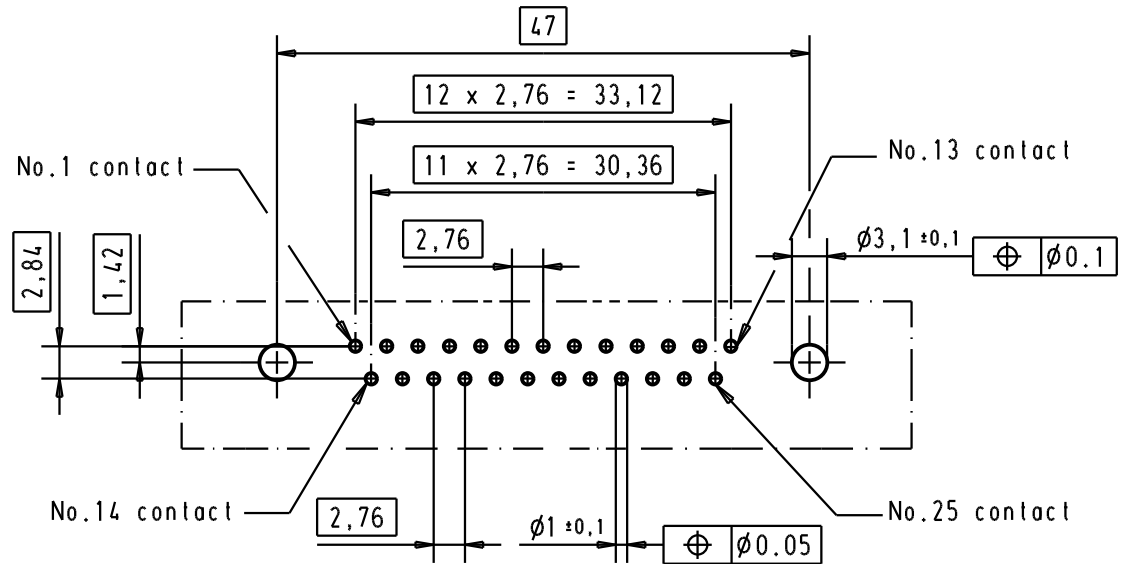
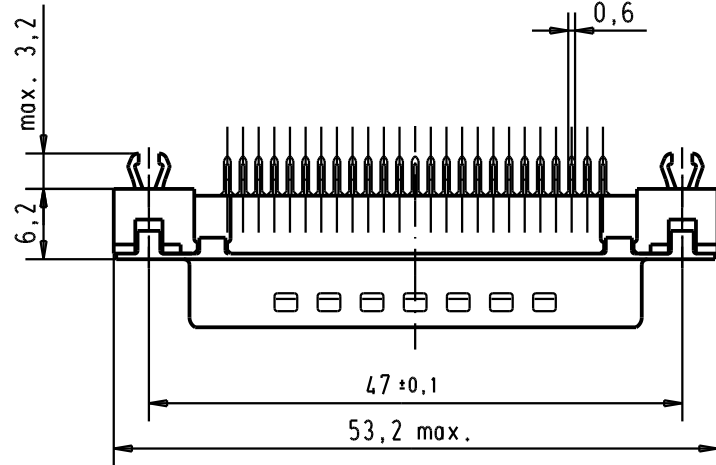
1

Mating face according to : MIL-C-24308 / DIN 41652 / CECC 75301-802

No.1 contact





Printed board layout  
component side



Connector retention and insertion forces on the PCB = 25 / 80 Newtons.

A

09 65 361 3711	M3	1								 All Dim. in mm Orig. Size DIN A 4	D-Sub, 25 poles, male, straight with solder pins 3,7 nuts and grounding board lock.	Maßstab/ Scale 1.5:1
09 65 361 6711	M3	2					Detail.	05/03/02	CV			
09 65 361 7711	M3	3					Insp.					
09 65 361 3712	4-40 UNC	1	31892	22/04/04	JH	Stand.						
09 65 361 6712	4-40 UNC	2	31523	11/07/03	TCP	HARTING EURL F-95972 Paris					TB 09 65 361 x71x	Blatt/ Page 1 /
09 65 361 7712	4-40 UNC	3	29723	05/03/02	CV							
Part number	Nut thread	Performance level	Mod.	Dat.	Name					Sub.		