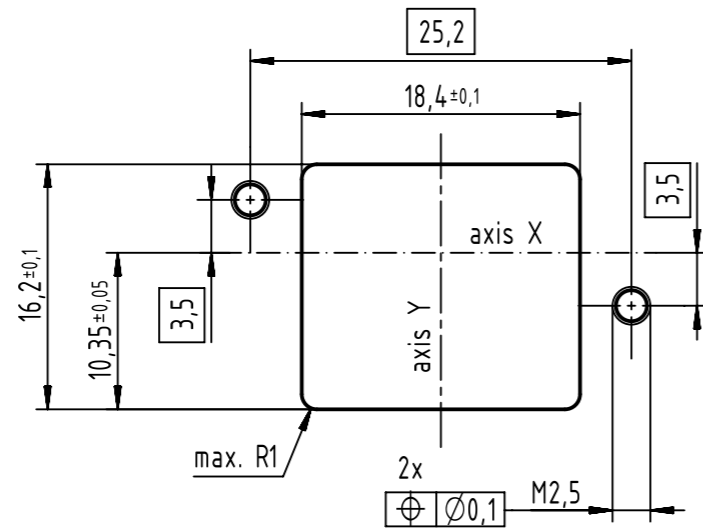
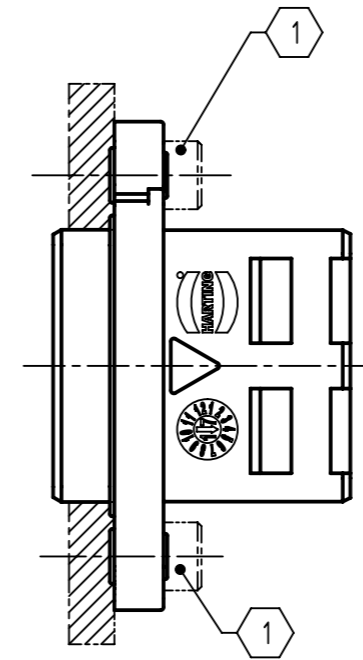


panel cutting



connector pitch on panel:
axis X = 27mm and axis Y = 21mm 2



Further information see product data sheet

- 3 Mating references A and B according to IEC 60603-7
- 2 connector pitch with coding clip 0945840002X Y = 23mm
- 1 2x M2.5; screws acc. to ISO 4762;
please order separately; bolting torque 0.3Nm - 0.5Nm

	All Dimensions in mm Original Size DIN A3		Scale 2:1	Free size tol.		Ref.
	All rights reserved Department EL PD		Created by ZWAHR	Inspected by ELLERMANN	Standardisation KÖHLER	Date 2019-04-02
HARTING Electronics GmbH D-32339 Espelkamp		Title HARTING PushPull V4 Compact Housing without Clip			Doc-Key / ECM-Nr. 100626921/UGD/002/E 500000149832	
		Type TB	Number 09455450043		Rev. E	Page 1/1