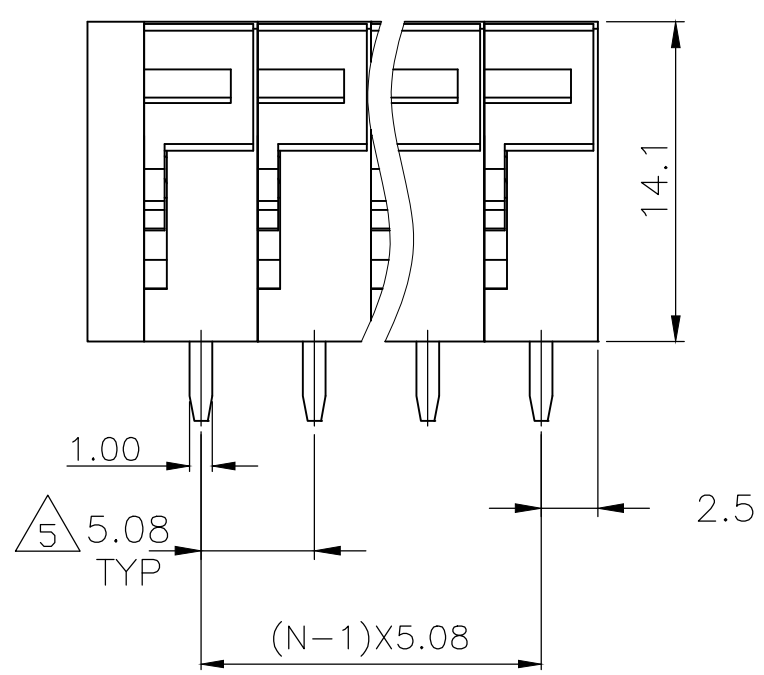
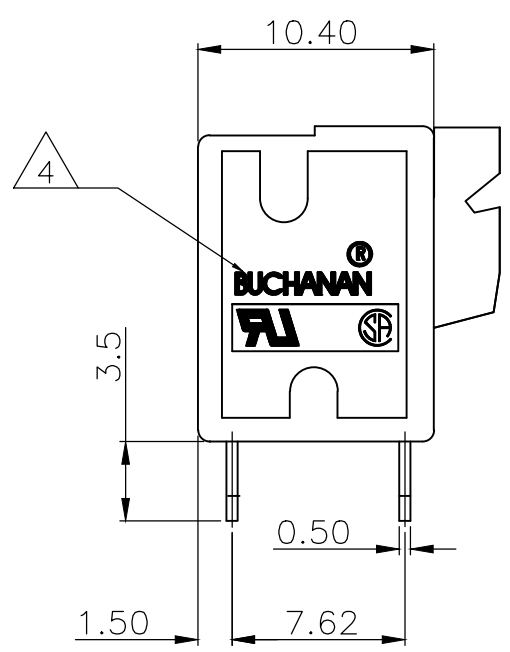
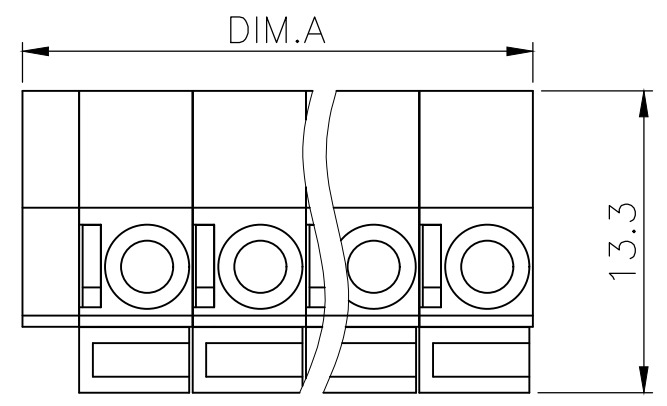
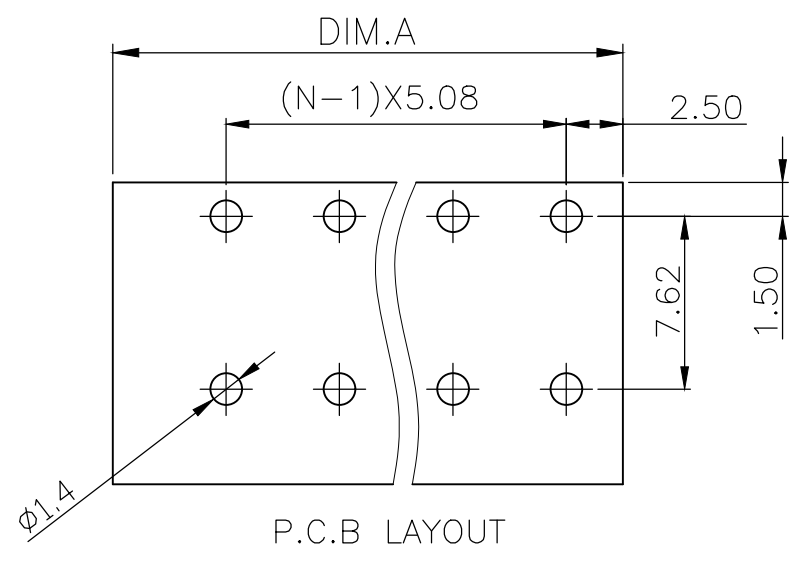


THIS DRAWING IS UNPUBLISHED. RELEASED FOR PUBLICATION  
 © COPYRIGHT - By - ALL RIGHTS RESERVED.

REVISIONS					
P	LTR	DESCRIPTION	DATE	DWN	APVD
	R	DESIGN IMPROVEMENT	22JUL2019	RK	PS



63.46	12	1-1776260-2
58.38	11	1-1776260-1
53.30	10	1-1776260-0
48.22	9	1776260-9
43.14	8	1776260-8
38.06	7	1776260-7
32.98	6	1776260-6
27.90	5	1776260-5
22.82	4	1776260-4
17.74	3	1776260-3
12.66	2	1776260-2
DIM. A	NO. OF POS.	PART NUMBER



N=NUMBER OF CONTACTS

THIS DRAWING IS A CONTROLLED DOCUMENT.		DWN S SCHLEGEL 5/6/05	TE Connectivity Ltd.		
DIMENSIONS: mm		CHK C RICHARD 5/6/05			
TOLERANCES UNLESS OTHERWISE SPECIFIED:		APVD C RICHARD 5/6/05	NAME		
0 PLC ± -	1 PLC ± 0.3	PRODUCT SPEC	TERMINAL BLOCK, BOARD MT. SCREWLESS		
2 PLC ± 0.2	3 PLC ± -	APPLICATION SPEC	TOP WIRE ENTRY, 5.08mm PITCH		
4 PLC ± -	ANGLES ± -	WEIGHT -	SIZE A3	CAGE CODE 00779	DRAWING NO C-1776260
MATERIAL -	FINISH -	CUSTOMER DRAWING	RESTRICTED TO -	SCALE NTS	SHEET 1 OF 2
					REV R

THIS DRAWING IS UNPUBLISHED. RELEASED FOR PUBLICATION  
 © COPYRIGHT - By - ALL RIGHTS RESERVED.

REVISIONS					
P	LTR	DESCRIPTION	DATE	DWN	APVD
-	-	SEE SHEET 1	-	-	-


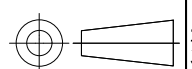
- MATERIAL:**  
 HOUSING: POLYAMIDE, UL94V-0, GREEN.  
 CONTACT: COPPER ALLOY, TIN PLATED.  
 WIRE GUARD: STAINLESS STEEL.
- ELECTRICAL:**  
 MAX. CURRENT RATING: 10 A.  
 CONTACT RESISTANCE: 20mΩ MAX.  
 INSULATION RESISTANCE: 500MΩ/500VAC.  
 DIELECTRIC WITHSTANDING VOLTAGE: 2000VAC MIN.  
 OPERATING VOLTAGE: 300VAC.  
 WIRE RANGE: 14-22AWG.
- MECHANICAL:**  
 WIRE RETENTION FORCE: 1.2 KG (MIN).  
 OPERATING TEMPERATURE: -55°C TO +105°C.

4 BUCHANAN LOGO, UL & CSA LOGO'S LOCATED APPROX. AS SHOWN.  
 TEXT MUST BE LEGIBLE.

5 NON CUMULATIVE

APPLICATION AND FEATURES:

- THIS SCREWLESS TERMINALS ARE SUITABLE FOR BOTH SOLID AND STRANDED CONDUCTORS.
- A SPRING MADE OF STAINLESS STEEL GUARANTEES FOR PERMANENT AND SAFE CONTACT.
- THIS IS OPERATED BY PUSHING A SCREW DRIVER ON THE LEVER. THIS LEVER IS FULLLY INTEGRATED INTO THE BODY.

THIS DRAWING IS A CONTROLLED DOCUMENT.		DWN S SCHLEGEL	5/6/05	 TE Connectivity Ltd.		
DIMENSIONS: mm		CHK C RICHARD	5/6/05			
		APVD C RICHARD	5/6/05	NAME TERMINAL BLOCK, BOARD MT. SCREWLESS TOP WIRE ENTRY, 5.08mm PITCH		
TOLERANCES UNLESS OTHERWISE SPECIFIED:		PRODUCT SPEC		-		
0 PLC ± -		APPLICATION SPEC		-		
1 PLC ± 0.3		WEIGHT		-		
2 PLC ± 0.2		SIZE		A3		
3 PLC ± -		CAGE CODE		00779		
4 PLC ± -		DRAWING NO		C-1776260		
ANGLES ± -		RESTRICTED TO		-		
MATERIAL		CUSTOMER DRAWING		SCALE NTS		
FINISH		SHEET		2 OF 2		
-		REV		R		

# Mouser Electronics

Authorized Distributor

Click to View Pricing, Inventory, Delivery & Lifecycle Information:

[TE Connectivity:](#)

[1776260-6](#)