



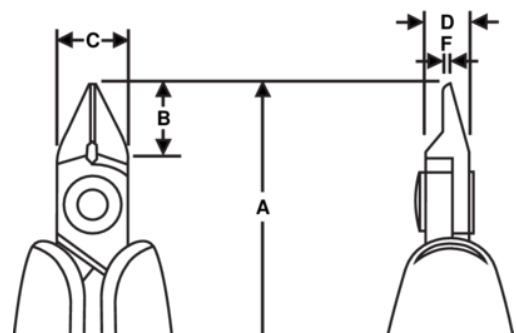
**RX 8146-RX 8148**

## **ERGO™ Precision Diagonal Cutters with Tapered and Relieved Head**



### PRODUCT DETAILS




- Precision tapered and relieved head diagonal cutters developed according to the scientific ERGO™ process, Tapered and relieved head
- ERGO™ handles with two-component combination, thermoplastic surface, for comfortable grip, on tough polypropylene core for rigidity
- Micro-bevel, flush and ultra-cut
- The cutting capacity that is given is for copper wire
- Cutting capacity: 0.1 mm-0.8 mm to 0.2 mm-1 mm
- High performance alloyed steel
- Phosphate finish
- Numerically controlled machine grinding guarantees edge angle accuracy and contact, increases the tool's reliability and consistency
- Precision induction-hardened edges 63-65 HRC
- Screw joint minimises friction and maximises alignment of cutting edges
- ESD safe handles in two-component synthetic material
- Bio spring limits the tension throughout the working cycle of the tool and can be adjusted to 3 different positions or removed
- Ideal for use in confined spaces and for rework



**Follow the Fish!**



## PRODUCT ATTRIBUTES

Product	A	B	C	D	F			
<b>RX 8146</b>	135.5 mm	10.5 mm	10 mm	6 mm	0.8 mm	0.2-1.0 mm	Micro	68 g
<b>RX 8147</b>	135.5 mm	10.5 mm	10 mm	6 mm	0.8 mm	0.1-1.0 mm	Flush	68 g
<b>RX 8148</b>	135.5 mm	10.5 mm	10 mm	6 mm	0.8 mm	0.1-0.8 mm	Ultra	68 g

**Follow the Fish!**

