

Industrial accelerometer

787AM8

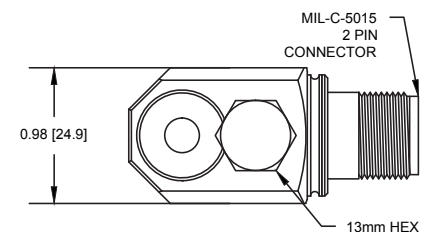
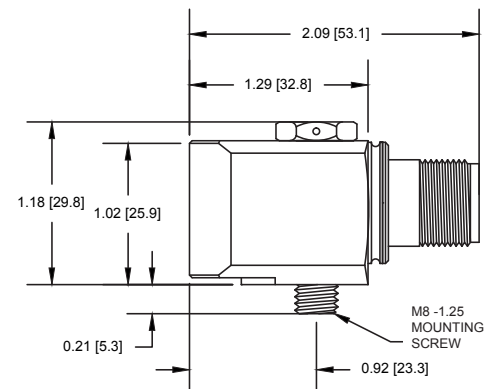
SPECIFICATIONS

Sensitivity, $\pm 5\%$, 25°C		100 mV/g
Acceleration range¹		80 g peak
Amplitude nonlinearity		1%
Frequency response:	$\pm 10\%$	1.0 - 5,000 Hz
	± 3 dB	0.5 - 10,000 Hz
Resonance frequency, mounted, min		22 kHz
Transverse sensitivity, max		5% of axial
Temperature response:	-55°C	-20%
	+120°C	+10%
Power requirement:		
Voltage source¹		18 - 30 VDC
Current regulating diode^{1,2}		2 - 10 mA
Electrical noise, equiv. g, nominal:		
Broadband	2.5 Hz to 25 kHz	700 μ g
Spectral	10 Hz	10 μ g/ \sqrt Hz
	100 Hz	5 μ g/ \sqrt Hz
	1,000 Hz	5 μ g/ \sqrt Hz
Output impedance, max		100 Ω
Bias output voltage, nominal		12 VDC
Grounding		case isolated, internally shielded
Temperature range		-55° to +120°C
Vibration limit		500 g
Shock limit, min		5,000 g
Electromagnetic sensitivity, equiv. g, max		70 μ g/gauss
Sealing		hermetic
Base strain sensitivity, max		0.002 g/ μ strain
Weight		145 grams
Case material		316L stainless steel
Mounting		M8 captive hex head screw with 0.046" diameter safety wire hole
Output connector		2 pin, MIL-C-5015 style
Mating connector		R6 type
Recommended cabling		J9T2A, 2-conductor shielded, Teflon [®] jacketed



Key features

- Certified versions available for use in hazardous areas
- API 670 compliant
- Manufactured in ISO 9001 facility



Notes: ¹ To minimize the possibility of signal distortion when driving long cables or high vibration signals, 24 to 30 VDC powering is recommended. The higher level constant current source should be used when driving long cables.

² A maximum current of 6 mA is recommended for operating temperatures in excess of 100°C.

Accessories supplied: SCM8125 captive hex head screw; calibration data

Connections	
Function	Connector pin / cable conductor color
power/signal	A / white
common	B / black
ground	shell / shield



Note: Due to continuous process improvement, specifications are subject to change without notice. This document is cleared for public release.

Mouser Electronics

Authorized Distributor

Click to View Pricing, Inventory, Delivery & Lifecycle Information:

[Amphenol:](#)

[787AM8](#)