

Customer Information Sheet

DRAWING No.: M22-30500XX

SHEET 2 OF 2

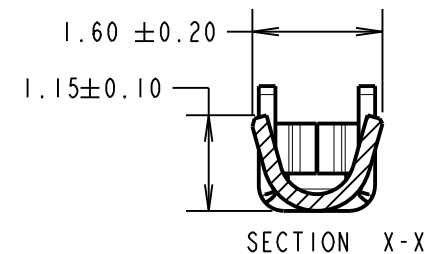
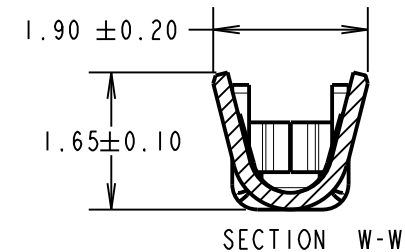
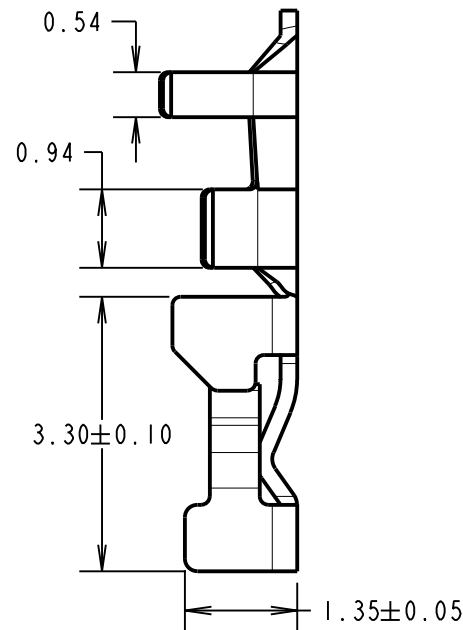
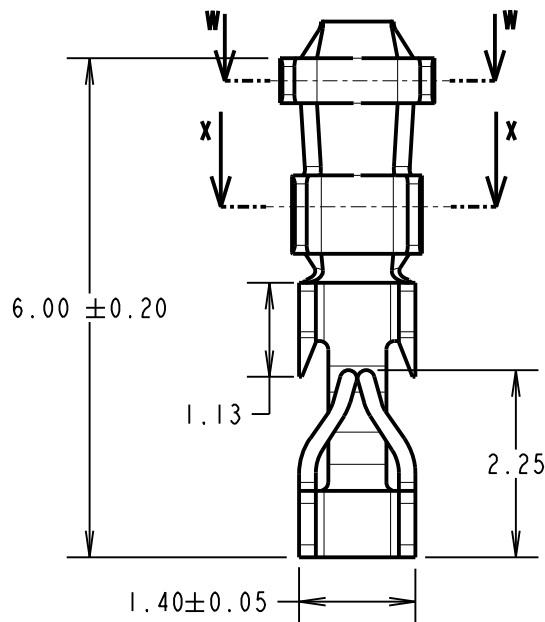
IF IN DOUBT - ASK

©

NOT TO SCALE

THIRD ANGLE PROJECTION

ALL DIMENSIONS IN mm



NOTES:

1. TO BE USED WITH CRIMP MOULDINGS M22-301XX00 OR M22-302XX00.
2. SUITABLE FOR WIRE GAUGES 24-30 AWG.
3. CONTACTS SUPPLIED LOOSE IN QUANTITIES OF 100.
4. FOR HAND CRIMPING ONTO WIRE, USE HAND TOOL Z22-020 (INSTRUCTION SHEET IS-05), STRIP WIRE BY 1.0 - 1.5mm BEFORE CRIMPING.
5. RECOMMENDED CONDUCTOR CRIMP HEIGHTS:
FOR 24 - 30AWG = 0.59±0.03mm

ORDER CODE:
M22-30500XX
FINISH:
42 = GOLD
46 = 100% TIN

SB	10	14.06.12	11756
NAME	ISS.	DATE	C/NOTE
APPROVED:		S.BENNETT	
CHECKED:		M.PLESTED	
DRAWN:		A.LIOTTA	
CUSTOMER REF.:			
ASSEMBLY DRG:			

HARWIN

www.harwin.com
technical@harwin.com

THIS DRAWING AND ANY INFORMATION OR DESCRIPTIVE MATTER SET OUT HEREON ARE CONFIDENTIAL AND COPYRIGHT PROPERTY OF THE HARWIN GROUP AND MUST NOT BE DISCLOSED, LOANED, COPIED OR USED FOR MANUFACTURING, TENDERING OR FOR ANY OTHER PURPOSE WITHOUT THEIR WRITTEN PERMISSION.

TOLERANCES

X. = ±1mm
X.X = ±0.25mm
X.XX = ±0.10mm
X.XXX = ±0.01mm
ANGLES = ±5°
UNLESS STATED

MATERIAL:

PHOSPHOR BRONZE

FINISH: SEE ORDER CODE

S/AREA: mm²

TITLE:

CRIMP CONTACT (LOOSE)

DRAWING NUMBER:

M22-30500XX

SHT
2 OF 2

Mouser Electronics

Authorized Distributor

Click to View Pricing, Inventory, Delivery & Lifecycle Information:

Harwin:

[M22-3050042](#) [M22-3050046](#)