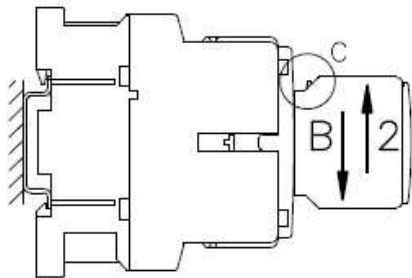
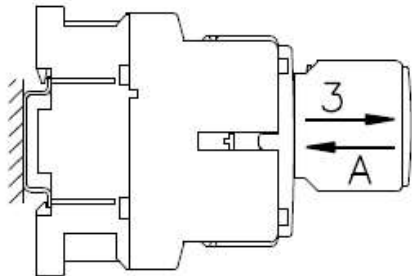
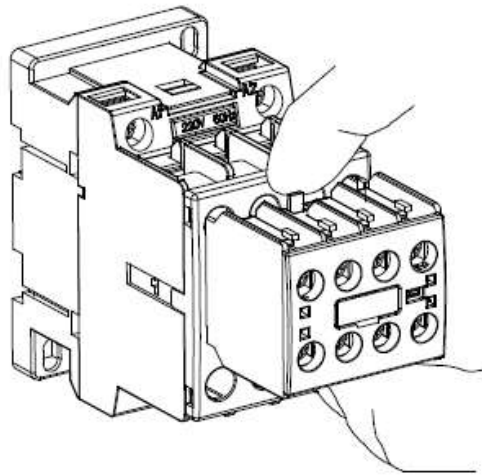


Mounting, of an auxiliary block, steps: A and B.
Unmounting, of an auxiliary block, steps: 1, 2 and 3.



Detail: C

