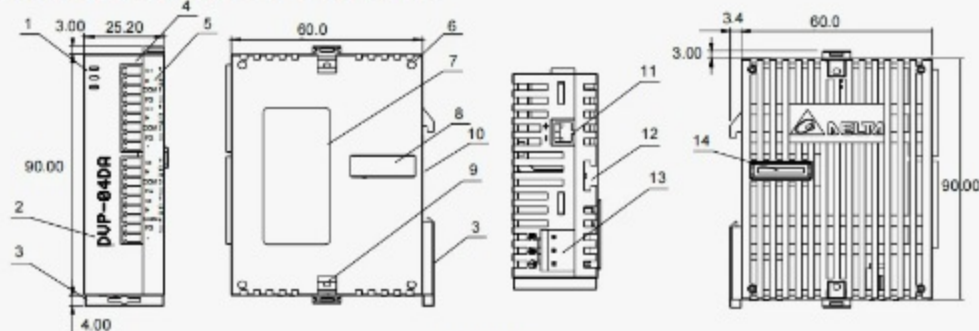


■ Product Profile & Outline



Unit: mm

- | | |
|--|---|
| 1. POWER, RUN and ERROR indicators | 8. Extension port |
| 2. Model name | 9. Extension unit clip |
| 3. DIN rail clip | 10. DIN rail groove (35mm) |
| 4. I/O terminals | 11. RS-485 communication port |
| 5. I/O point indicators | 12. Mounting groove of the extension unit |
| 6. Mounting hole of the extension unit | 13. DC power input |
| 7. Nameplate | 14. Extension port |

Digital/Analog (2D/A) module	Voltage output	Current output
Power supply voltage	24VDC (20.4VDC ~ 28.8VDC) (-15% ~ +20%)	
Analog input channel	2 channels/each module	
Analog output range	0 ~ 10V	0 ~ 20mA
Digital data range	0 ~ 4,000	0 ~ 4,000
Resolution	12 bits (1LSB=2.5mV)	12 bits (1LSB=5μA)
Output impedance	≤0.5Ω	≥1MΩ
Overall accuracy	±0.5% of full scale of 25°C (77°F). ±1% of full scale during 0 ~ 55°C (32 ~ 131°F).	
Response time	3ms × Number of channels	
Max. output current	10mA	-
Tolerance carried impedance	≥1KΩ	≤500Ω
Digital data format	16-bit 2's complement	
Isolation method	The analog circuit is isolated from the digital circuit by an optocoupler, but the analog channels are not isolated from one other.	
Protection	Voltage output has short circuit protection but a long period short circuit may cause internal wire damage and current output break.	
Communication mode (RS-485)	Supported, including ASCII/RTU mode. Default communication format: 9600, 7, E, 1, ASCII; refer to CR#32 for details on the communication format. Note1: RS-485 cannot be used when connected to CPU series PLCs. Note2: Refer to Slim Type Special Module Communications in the appendix E of the DVP programming manual for more details on RS-485 communication setups.	

Digital/Analog (2D/A) module	Voltage output	Current output
Connecting to a DVP series PLC	If DVP04DA-S/DVP04DA-S2 modules are connected to a PLC, the modules are numbered from 0 - 7. 0 is the closest and 7 is the furthest to the PLC. 8 modules is the max and they DO NOT occupy any digital I/O points of the PLC.	

■ Others

Power supply	
Max. rated power consumption	24VDC (20.4VDC ~ 28.8VDC) (-15% ~ +20%), 4W, supply from external power.
Environment	
Operation/storage	Operation: 0°C ~ 55°C (temperature); 5 ~ 95% (humidity); pollution degree 2. Storage: -25°C ~ 70°C (temperature); 5 ~ 95% (humidity).
Vibration/shock immunity	International standards: IEC 61131-2, IEC 68-2-6 (TEST Fc)/IEC 61131-2 & IEC 68-2-27 (TEST Ea)