

MSUD valve form A 18mm with cable PUR-JZ 5x0,75 yellow UL, CSA 10m

Form A (18 mm) for pressure switch
24 V DC with LED (yellow/green)

Image

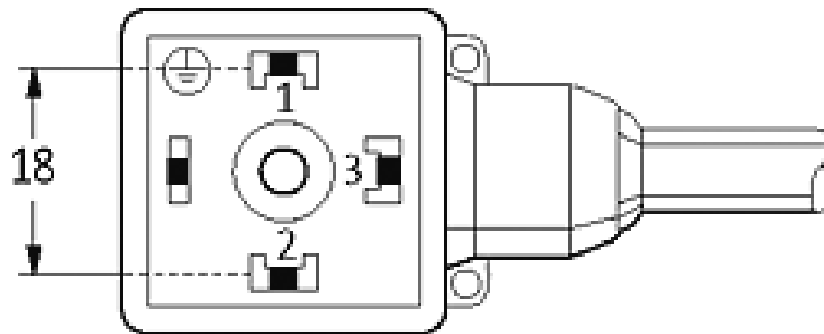
Vicarious picture

Form	18141
Technical Data	
Operating voltage	24 V DC $\pm 25\%$
Operating current per contact	max. 4 A
Locking of ports	M3 (recommended torque 0.4 Nm)
Protection	IP65 and IP67 when plugged and screwed down (EN 60529)
Housing	Black plastic (gray on request)
Temperature range	-25...+85 °C, depending on cable quality
Cable	
No./diameter of wires	5 \times 0.75 mm ²
Wire isolation	PP (bk, num, gnye)
C-track properties	5 million
Jacket	PUR (UL/CSA)
Outer diameter	approx. 7.0 mm
Bend radius (moving)	10 x outer diameter
Temperature range (fixed)	-40...+80 °C
Temperature range (mobile)	-25...+80 °C
Commercial data	
Net weight	770
Weight unit	Gram
Basic unit	pc.
Customs tariff number	85444290
Unit (piece)	1
Minimum order quantity (piece)	1
Comments	<p>Further cable lengths on request.</p> <p>Plastic housings with good resistance against chemicals and oils.</p> <p>The resistance to aggressive media should be individually tested for your application. Further details on request.</p>

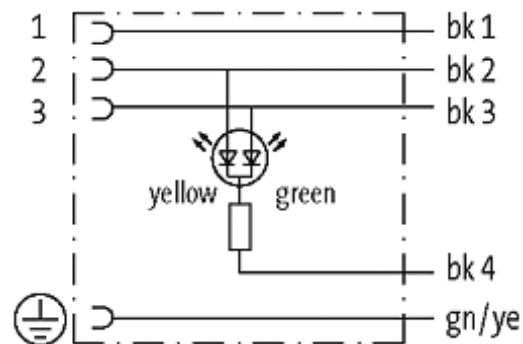
All data on this data sheet was compiled carefully.

Liability regarding correctness, completeness, and actuality is limited to gross negligence. Created: 06/14

Contact layout



Circuit diagram



Dimension drawing

