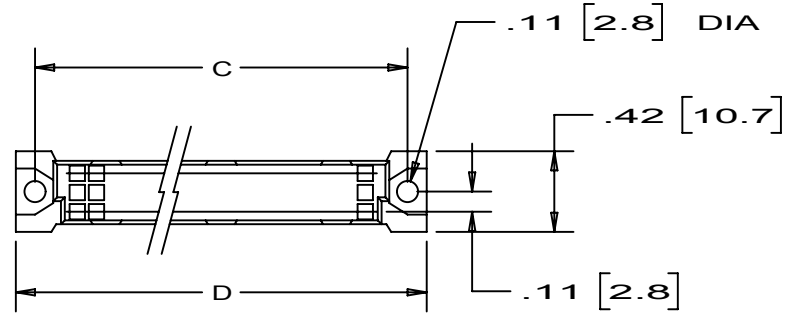
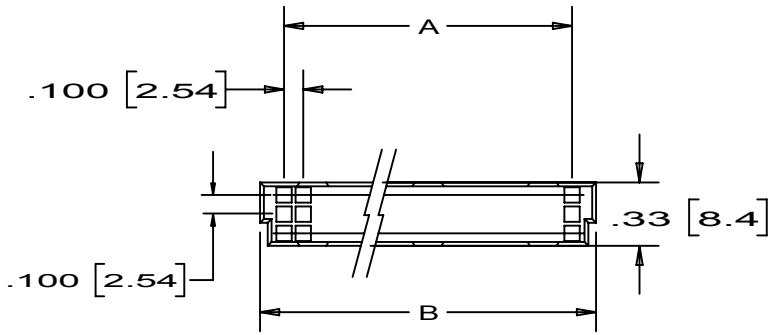


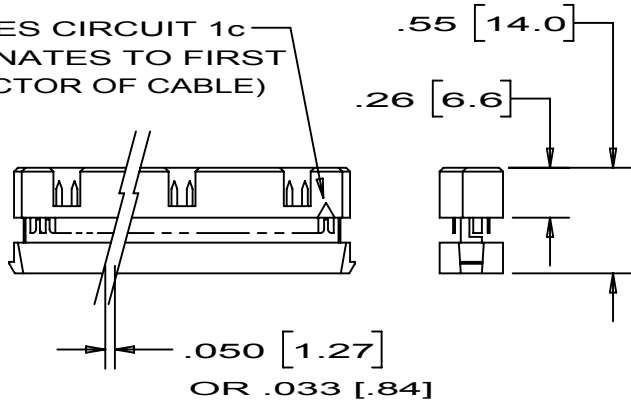
THIS COPY IS PROVIDED ON A RESTRICTED BASIS AND IS NOT TO BE USED IN ANY WAY DETRIMENTAL TO THE INTERESTS OF PANCON.

MOUNTING FRAME VERSION

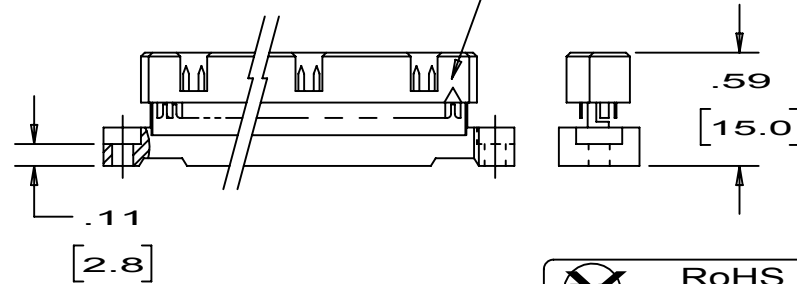
DIMENSIONS NOT SHOWN ARE THE SAME AS THE VERSION WITHOUT THE MOUNTING FRAME



DENOTES CIRCUIT 1c
(TERMINATES TO FIRST
CONDUCTOR OF CABLE)



DENOTES CIRCUIT 1c
(TERMINATE TO FIRST
CONDUCTOR OF CABLE)



PANCON
CONNECTORS
www.pancon.de / GERMANY
www.panconconnectors.com / USA

Bolingbrook, Illinois

TM
HI-CON ,120 SERIES TYPE C AND HALF C
FEMALE IDC CONNECTOR

UNLESS OTHERWISE SPECIFIED,
DIMENSIONAL TOLERANCES ARE:

(.X) ± (.XXX) ± .01(.25)
(.XX) ± .02(ANGLS) ±

UNLESS OTHERWISE SPEC-
IFIED, ALL DIMENSIONS
ARE GIVEN IN INCHES.

THIRD ANGLE PROJECTION.
SCALE

1 : 1

DRAWN BY
JM

DATE
11-22-95

CHK'D
TOG

SEE NOTES

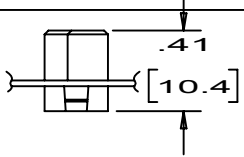
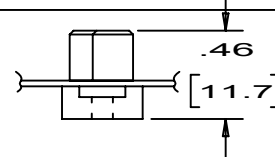
DRAWING NO. DWG.

KA-10389 A

SHT 1 OF 2 SIZE

REV	DATE	BY	CHK	DESCRIPTION	CN - R	CUST	SUP
7		KI		Added RoHS Compliant	2162		

THIS COPY IS PROVIDED ON A RESTRICTED BASIS AND IS NOT TO BE USED IN ANY WAY DETRIMENTAL TO THE INTERESTS OF PANCON.

PART NUMBERS				SOCKET VERSION	
				THROUGH CIRCUIT	THROUGH CIRCUIT MOUNTING FRAME
INSULATOR TYPE	NUMBER OF CONTACTS	ROWS EQUIPPED	POSITIONS EQUIPPED		
C	64	A & C	ALL	120-964-4*5	120-964-4*5F
HALF C	32	A & C	ALL	120-332-4*5	120-332-4*5F
C	96	A, B, C	ALL	120-096-4*5	120-096-4*5F

USE .050 PITCH FLAT CABLE

STRAIN RELIEF FOR SOCKETS WITHOUT MOUNTING FRAME	TYPE	P/N
	C	120-000-032
	HALF C	120-000-042

- NOTES:
- CONTACT MATERIAL: COPPER ALLOY, GOLD OVER NICKEL PLATING IN THE MATING AREA, TIN PLATING ON IDC
 - HOUSING MATERIAL: GLASS FILLED POLYESTER, U.L. 94V-0
 - ALL DIMENSIONS ARE GIVEN IN INCHES AND [MILLIMETERS]
 - 120-096-4*5 AND 4*5F ARE FOR USE WITH .033" PITCH FLAT CABLE UL STYLE # 2678

* = PLATING CODE
 3 = 30 # GOLD
 5 = 15 # GOLD

INSULATOR TYPE	A	B	C	D
C	3.10 [78.74]	3.35 [85.0]	3.54 [90.0]	3.74 [95.0]
HALF C	1.50 [38.1]	1.75 [44.4]	1.97 [50.0]	2.17 [55.0]



Bolingbrook, Illinois

TM
 HI-CON ,120 SERIES TYPE C AND HALF C
 FEMALE IDC CONNECTOR

UNLESS OTHERWISE SPECIFIED, DIMENSIONAL TOLERANCES ARE:
 (.X) ± (.XXX) ± .01(.25)
 (.XX) ± .02(AN) ANGLES ±

UNLESS OTHERWISE SPECIFIED, ALL DIMENSIONS ARE GIVEN IN INCHES.
 THIRD ANGLE PROJECTION.
 SCALE 1 : 1

DRAWN BY JM
 DATE 11-22-95

SEE NOTES

DRAWING NO. KA-10389
 SHT 2 OF 2
 DWG. SIZE A

REV	DATE	BY	CHK	DESCRIPTION	CN - R	CUST	SUP
7		KI		See Sh. 1	2162		

CHK'D TOG