

16

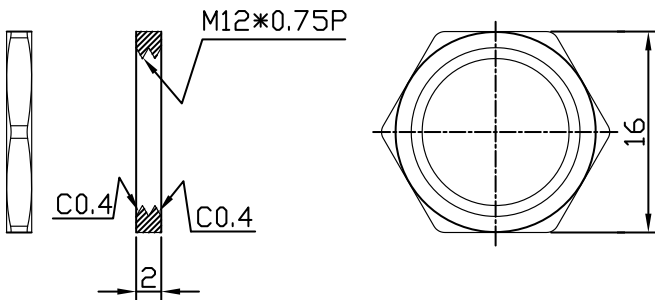
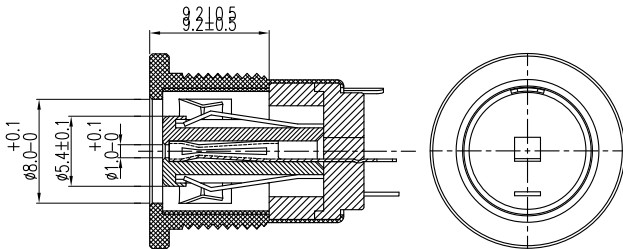
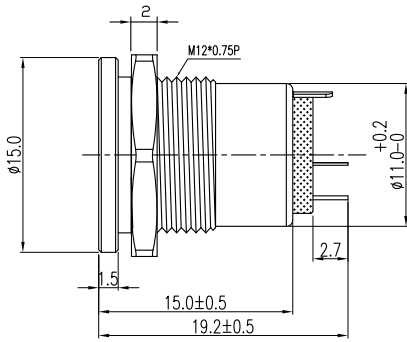
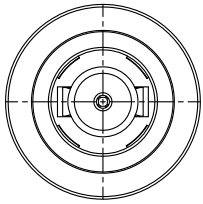
1614 21

Power supply connectors



Power supply chassis socket, straight version, for front
side mounting

3 pole



Environmental conditions

Temperature range -40 °C/+85 °C

Materials

Insulating body PBT GF, V-0 according to UL94
 Contact CuSn, nickel-plated
 Housing CuZn, nickel-plated
 Hexagonal nut CuZn, nickel-plated

Mechanical data

Diameter opening 8.0 mm
 Diameter insulation 5.4 mm
 Diameter central hole 1.0 mm
 Mating cycles 5000
 Insertion force 2.9–29.4 N
 Withdrawal force 2.9–29.4 N

Electrical data (at T_{amb} 20 °C)

Contact resistance ≤ 30 mΩ
 Rated current 10 A
 Rated voltage 42 V DC
 Rated impulse voltage 500 V/60 s
 Insulation resistance ≥ 100 MΩ

Associated products

Counterparts
 ☞ 1636 07

16

1614 21

| Designation | Pole Number | PU (Pieces) | MDQ (Pieces) |
|-------------|-------------|-------------|--------------|
| 1614 21 | 3 | 200 | 200 |

Packaging:

in bulk, in a cardboard box or a plastic bag