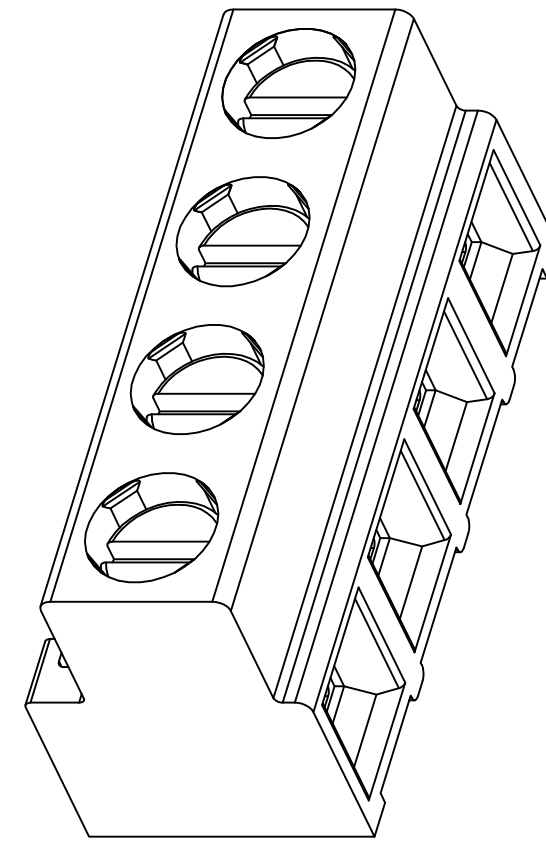
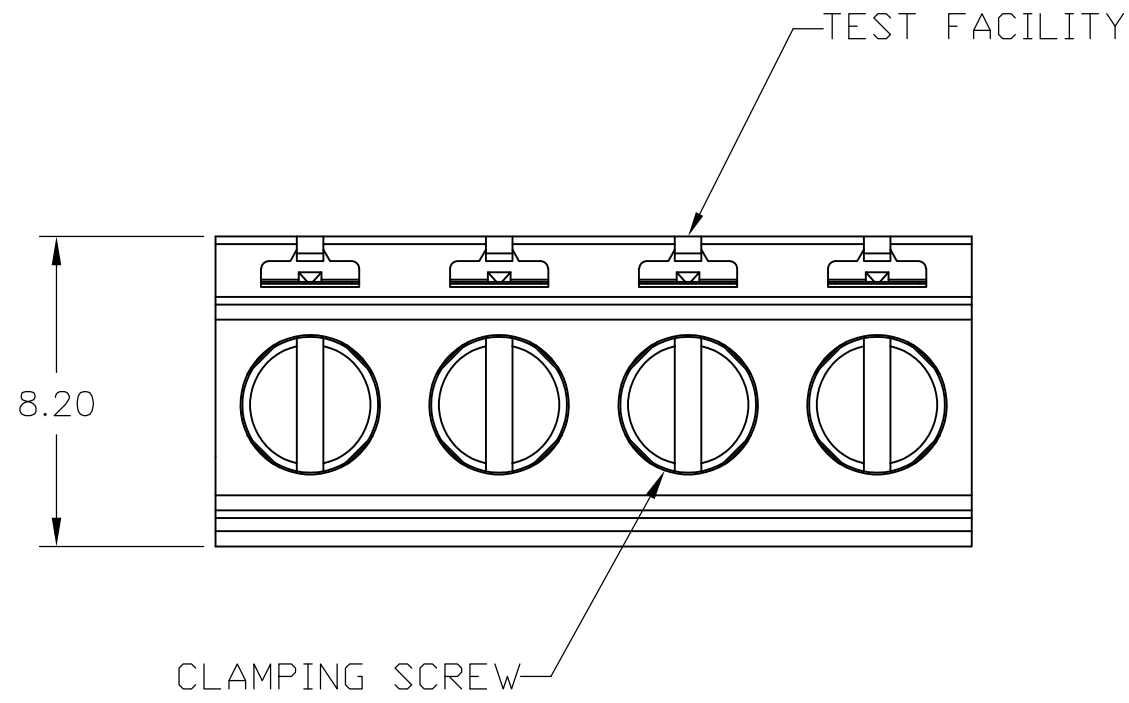


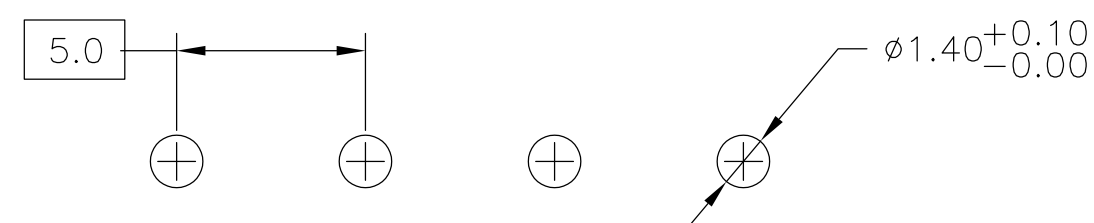
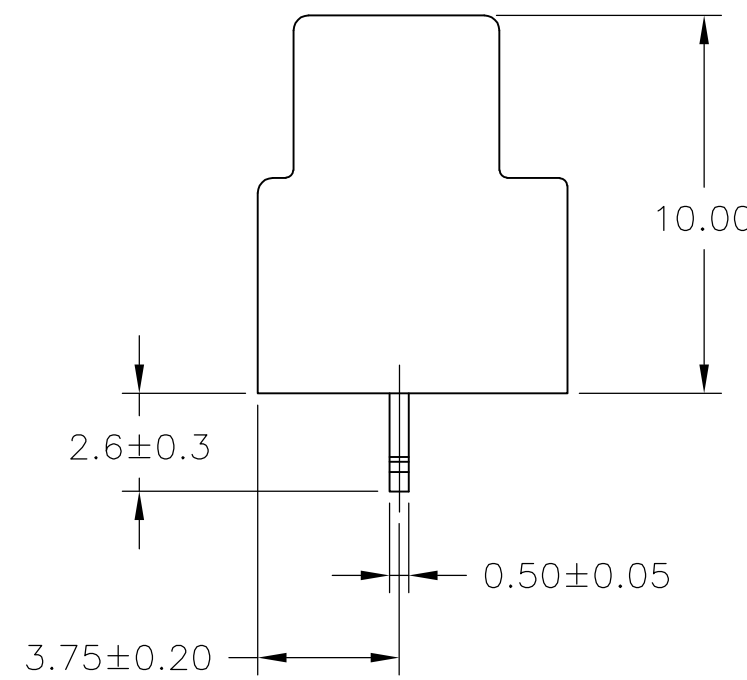
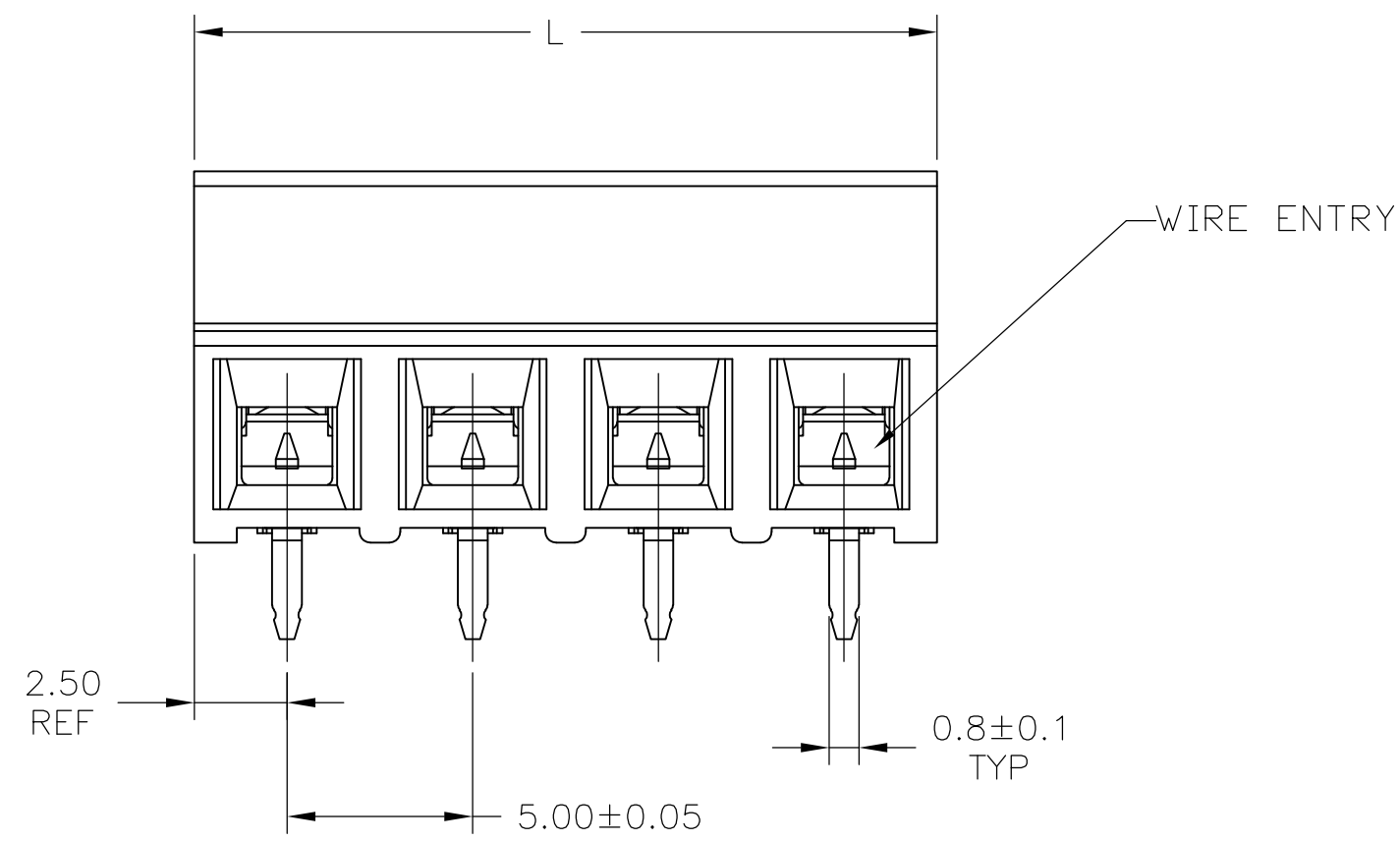
THIS DRAWING IS UNPUBLISHED. RELEASED FOR PUBLICATION
 © COPYRIGHT BY TYCO ELECTRONICS CORPORATION. ALL INTERNATIONAL RIGHTS RESERVED.

LOC		DIST		REVISIONS			
P	LTR	DESCRIPTION		DATE	DWN	APVD	
FT	00	A1	REV PER ECR 10-022703		04NOV10	JR	CR



1776118-4 AS SHOWN

- 1 MATERIAL AND FINISH:
 HOUSING: HIGH TEMP POLYAMIDE, UL 94V-0 RATED,
 COLOR - BLACK
 CLAMP: BRASS, NICKEL PLATED
 TERMINAL: BRASS, TIN PLATED
 CLAMPING SCREW: M3, BRASS, NICKEL PLATED
- 2 END-TO-END STACKABLE WITHOUT LOSS OF CENTERLINE SPACING
- 3 WIRE SIZE RANGE: 16-28 AWG
- 4 RECOGNIZED UNDER THE COMPONENT PROGRAM OF UNDERWRITERS LABORATORIES INC. FILE NO. E60677
- 5 IMQ CERTIFICATE WITH SURVEILLANCE IN COMFORMITY WITH IEC 998-17998-2-1.



RECOMMENDED PCB BOARD LAYOUT

TAPE AND REEL	15.0	3	1-1776118-3
-	40.0	8	1776118-8
-	35.0	7	1776118-7
-	30.0	6	1776118-6
-	25.0	5	1776118-5
-	20.0	4	1776118-4
-	15.0	3	1776118-3
-	10.0	2	1776118-2
PACKAGING	L.	NUMBER OF POSN.	PART NO.

THIS DRAWING IS A CONTROLLED DOCUMENT.		DWN JR RUTH 28OCT2010	Tyco Electronics Corporation Harrisburg, PA 17105-3608	
DIMENSIONS: mm		CHK C. RICHARD 28OCT10	NAME C. RICHARD 28OCT10	
TOLERANCES UNLESS OTHERWISE SPECIFIED:		APVD C. RICHARD 28OCT10	PRODUCT SPEC	
0 PLC ± -		APPLICATION SPEC		
1 PLC ± .2		WEIGHT		
2 PLC ± .15		SCALE 5:1		
3 PLC ± -		SHEET 1 OF 1		
4 PLC ± -		REV A1		
ANGLES ± -		CUSTOMER DRAWING		
FINISH		SIZE CAGE CODE DRAWING NO RESTRICTED TO		
- 1		A2 00779 C=1776118		

Mouser Electronics

Authorized Distributor

Click to View Pricing, Inventory, Delivery & Lifecycle Information:

[TE Connectivity:](#)

[1776118-2](#)