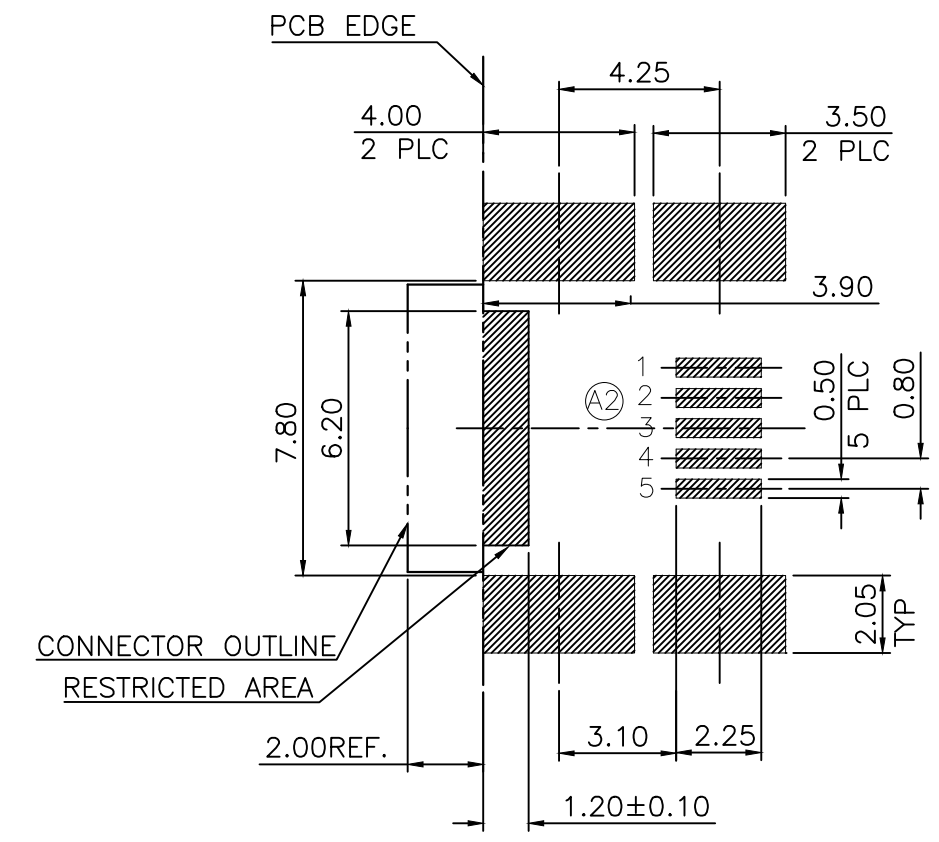
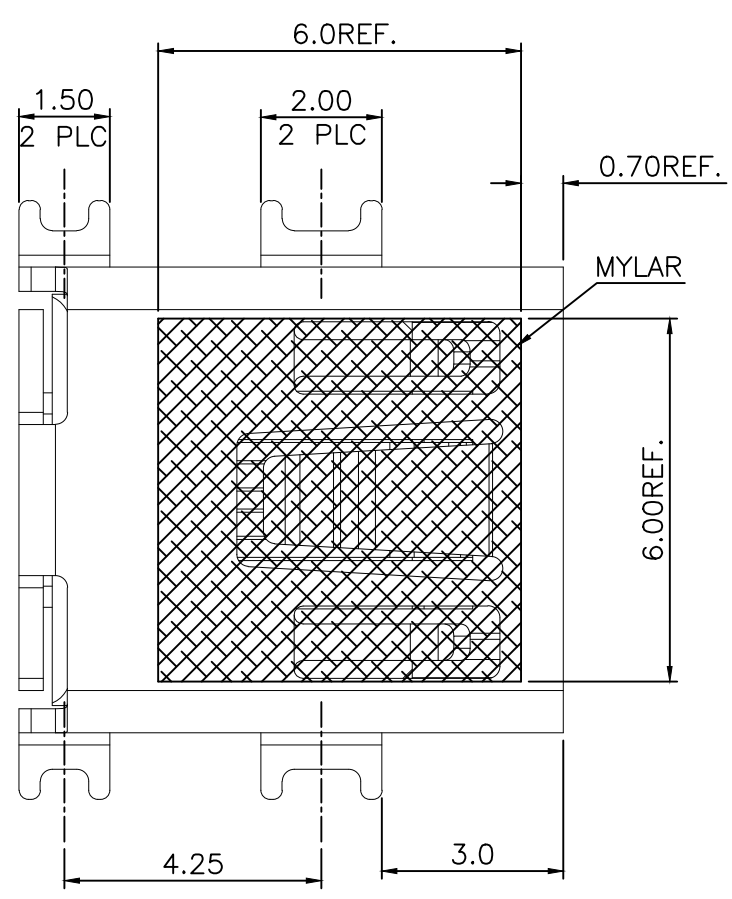


THIS DRAWING IS UNPUBLISHED. RELEASED FOR PUBLICATION
 © COPYRIGHT 2011 BY TYCO ELECTRONICS CORPORATION. ALL RIGHTS RESERVED.

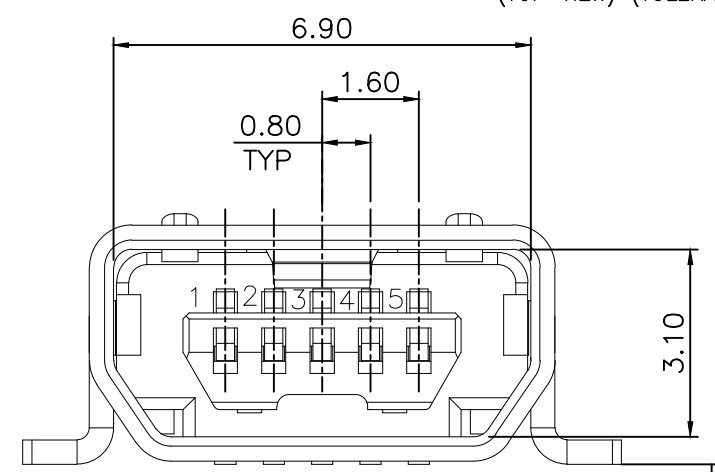
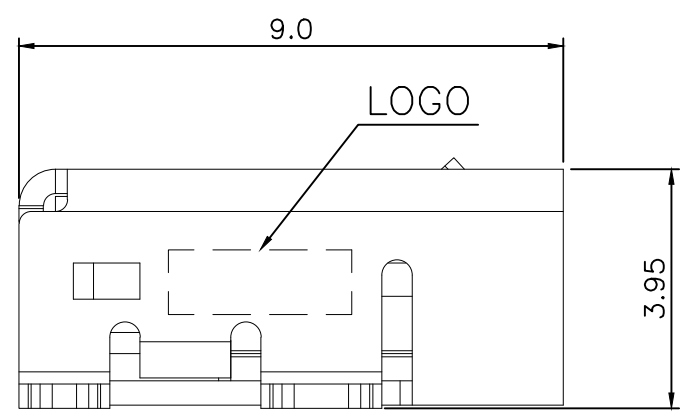
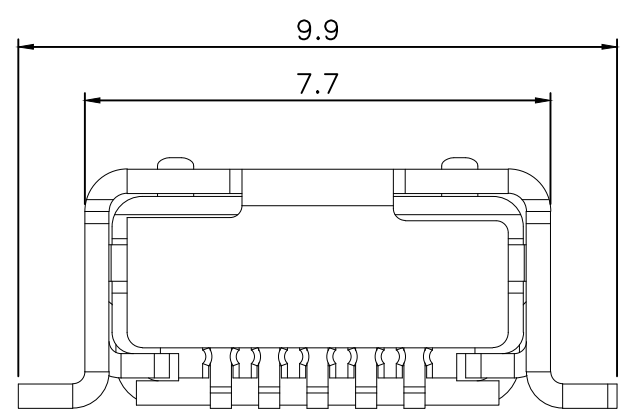
LOC	DIST	REVISIONS			
P	LTR	DESCRIPTION	DATE	DWN	APVD
	A2	REVISED(ECR-16-003096),MODIFY THE PIN DEFINITION	01MAR'16	T.Z	H.W

NOTE:

- MATERIAL:
 HOUSING: THERMOPLASTIC HIGH TEMP., UL 94V-0 COLOR: BLACK.
 CONTACT: PHOSPHOR BRONZE, THICKNESS: 0.25mm.
 SHIELD: PHOSPHOR BRONZE, THICKNESS: 0.40mm.
- FINISH:
 CONTACT: GOLD FLASH OVER
 30u" MIN. PALLADIUM-NICKEL PLATING ON CONTACT AREA,
 100u" MIN. MATTE-TIN PLATED ON SOLDER TAILS
 50u" MIN. NICKEL UNDERPLATED ALL OVER.
 SHIELD: 100u" MIN. HALF-BRIGH TIN PLATED OVER 80u" MIN. Cu
 UNDERPLATED ALL OVER.
- REFLOW SOLDER CAPABLE TO 260°C PER TE SPEC 109-201, CONDITION B.
- RoHS 2002/95/EC COMPLIANT
- CHOOSE PRE-FIX FROM LEFT TABLE AND SUFFIX FROM RIGHT TABLE FOR DESIRED PART NUMBER COMBINATION.



RECOMMENDED PCB LAYOUT (MOUNTING SIDE)
 (TOP VIEW) (TOLERANCE=±0.05)



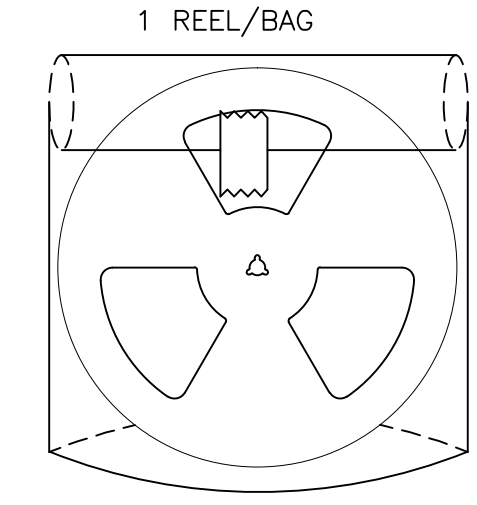
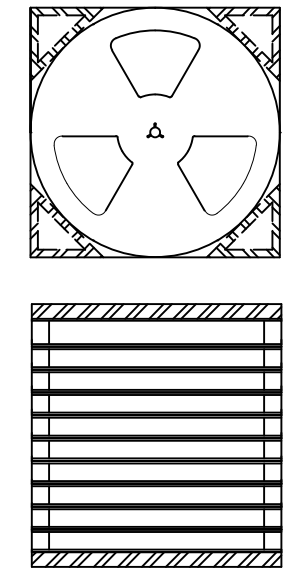
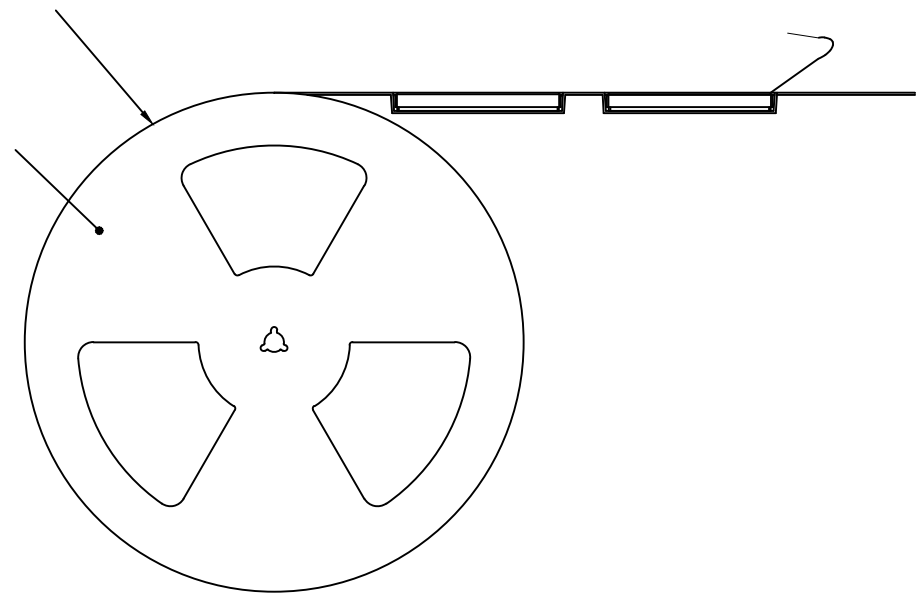
0.10
 ALL SOLDER TAILS & MOUNT PEGS

1775051-1
 PART NUMBER

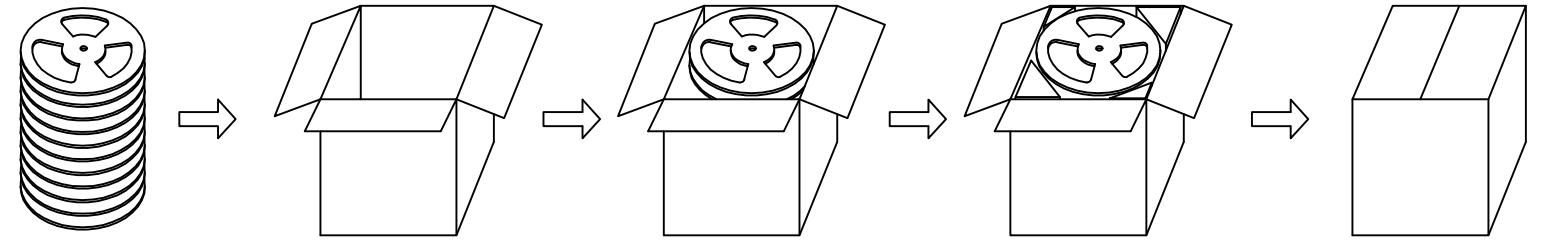
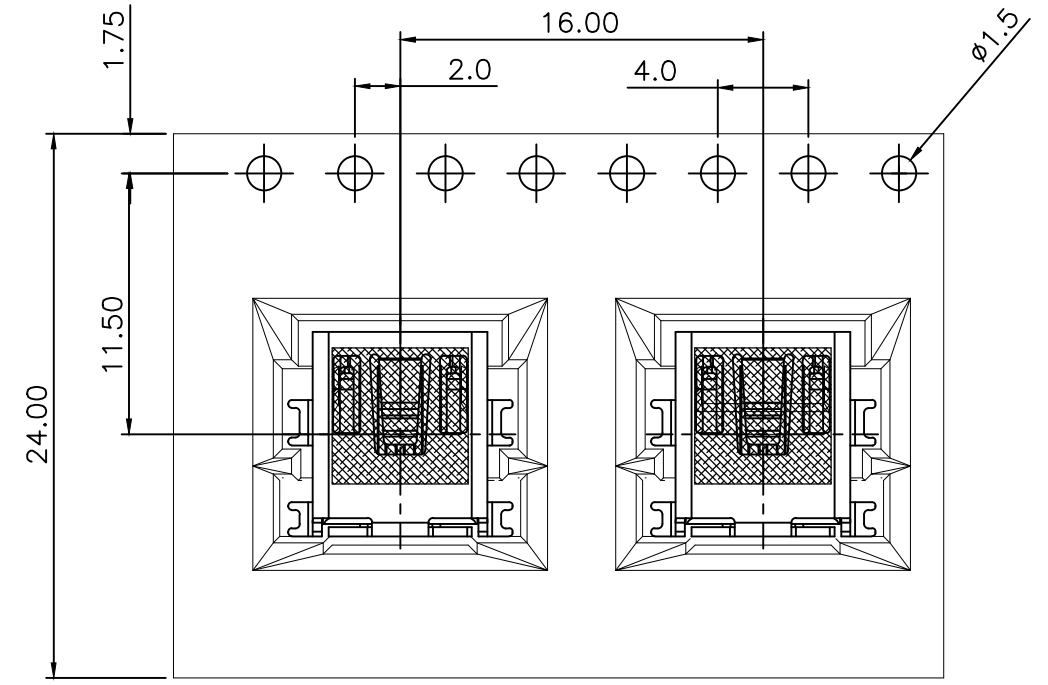
THIS DRAWING IS A CONTROLLED DOCUMENT.		DWN O. HU 10MAR2005	TE Connectivity		
DIMENSIONS: mm		CHK S. HOU 10MAR2005			
TOLERANCES UNLESS OTHERWISE SPECIFIED:		APVD W.J. KE 10MAR2005	NAME		
0 PLC ± 0.50 1 PLC ± 0.38 2 PLC ± 0.25 3 PLC ± 0.10 4 PLC ± - ANGLES ± 3°		PRODUCT SPEC 108-57509	MINI USB CONN., RCPT, 5 POS, SMT, AB TYPE		
MATERIAL SEE NOTE		APPLICATION SPEC	SIZE A3	CAGE CODE 00779	DRAWING NO C=1775051
FINISH SEE NOTE		WEIGHT 10.5 GRAMS	RESTRICTED TO		
		CUSTOMER DRAWING	SCALE	SHEET 1 OF 2	REV A2

THIS DRAWING IS UNPUBLISHED. RELEASED FOR PUBLICATION
 © COPYRIGHT 2011 BY TYCO ELECTRONICS CORPORATION. ALL RIGHTS RESERVED.

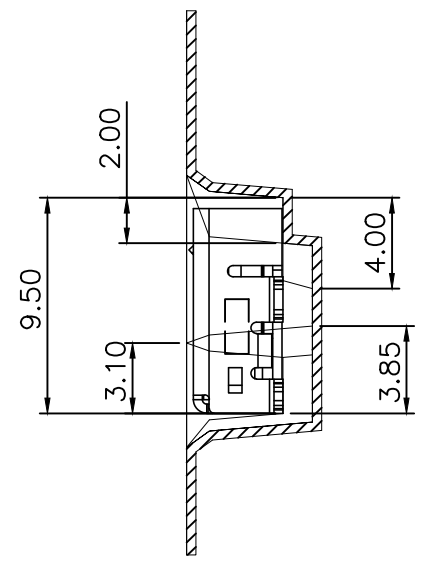
LOC DW	DIST /	REVISIONS		
P	LTR	DESCRIPTION	DATE	DWN APVD
		SEE SHEET 1.		



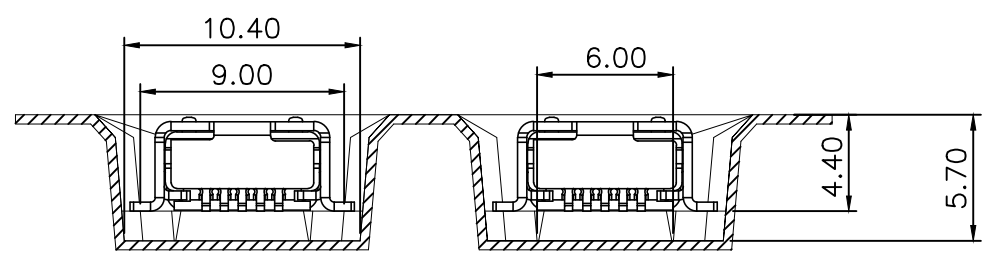
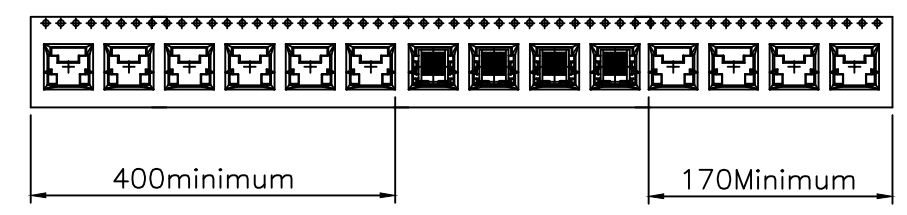
- NOTES :
- MATERIAL :
 - EMBOSSED CARRIER: PS
 - COVER TAPE: PET
 - SHIPPING CARTON: CORRUGATED FIBER.
 - DIMENSION :
 - REEL: W=24 , ϕ A=330
 - SHIPPING CARTON: L=349.2,W=147.6, H=156.
 - QUANTITY :
 - PRIMARY PACKING: 700PCS/REEL.
 - SECONARY PACKING: 10REEL/ CARTON(7000PCS).
 - WEIGHT :
 - NET WEIGHT: 11.5kg/CARTON.
 - GROSS WEIGHT: 10.5kg/CARTON.
 - PEELING RESISTANCE: 10g~130g.
 - PELLING SPEED: 300mm/minutes.



BOX PACKING DRAWING



USER FEED DIRECTION



THIS DRAWING IS A CONTROLLED DOCUMENT.		DWN	STE TE Connectivity	
DIMENSIONS: mm		CHK		
TOLERANCES UNLESS OTHERWISE SPECIFIED:		APVD	NAME	
0 PLC ± -		PRODUCT SPEC	MINI USB CONN., RCPT, 5 POS, SMT, AB TYPE	
1 PLC ± -		APPLICATION SPEC	SIZE	CAGE CODE
2 PLC ± -		WEIGHT	A3	00779
3 PLC ± -		CUSTOMER DRAWING	DRAWING NO	RESTRICTED TO
4 PLC ± -			C=1775051	
ANGLES ± -			SCALE	SHEET
FINISH			-	2 OF 2
				REV A2

Mouser Electronics

Authorized Distributor

Click to View Pricing, Inventory, Delivery & Lifecycle Information:

[TE Connectivity:](#)

[1775051-1](#)