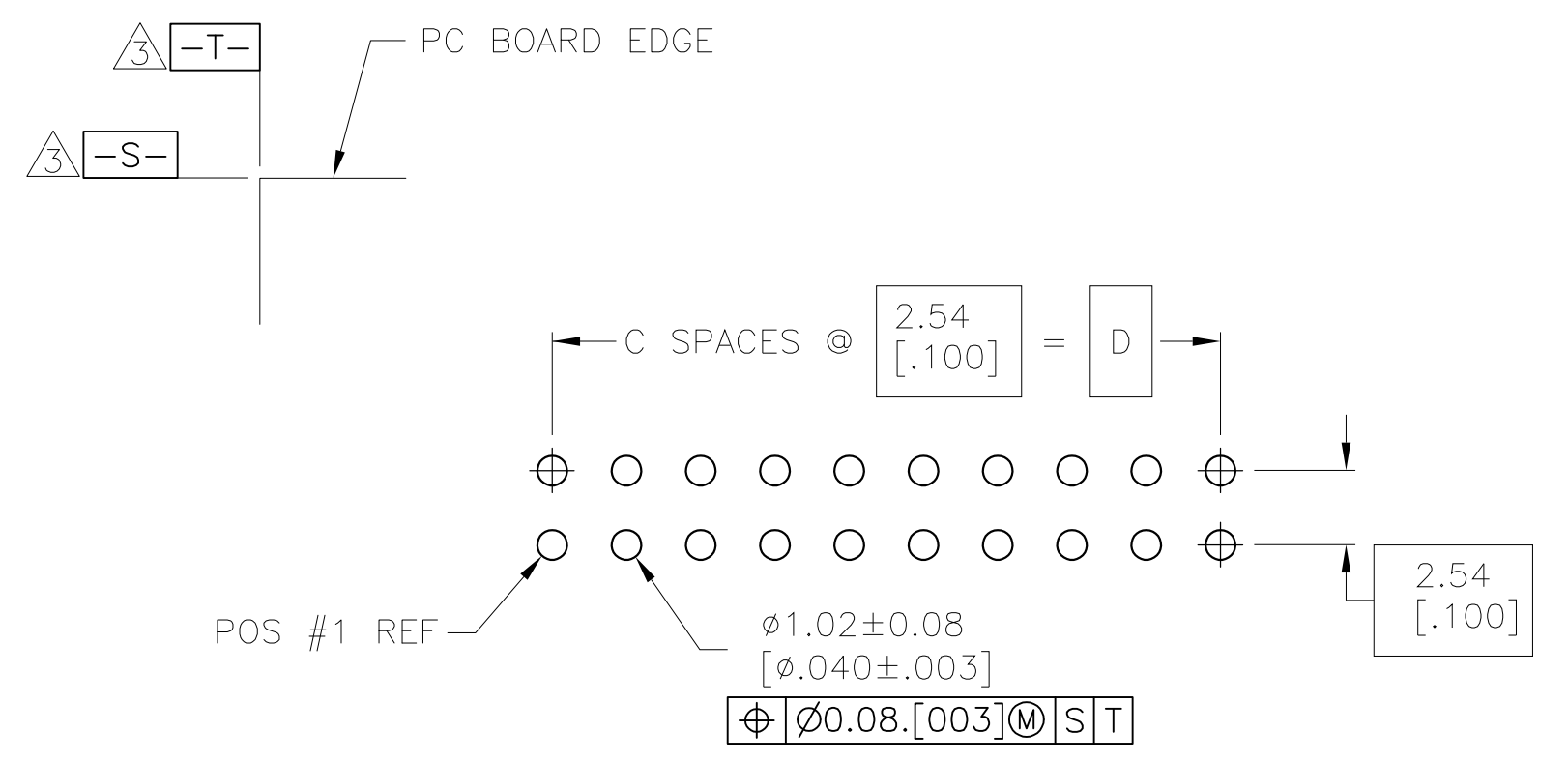
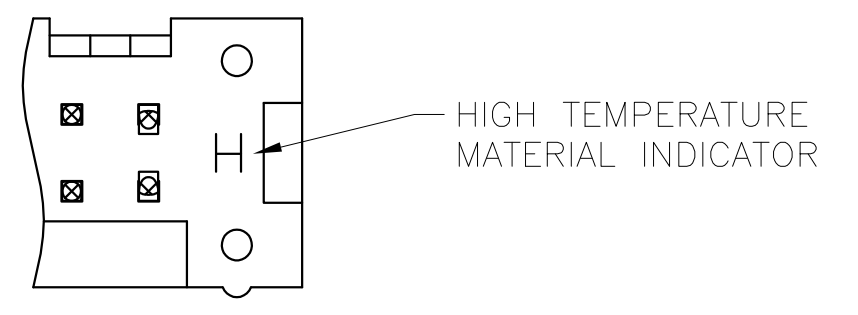
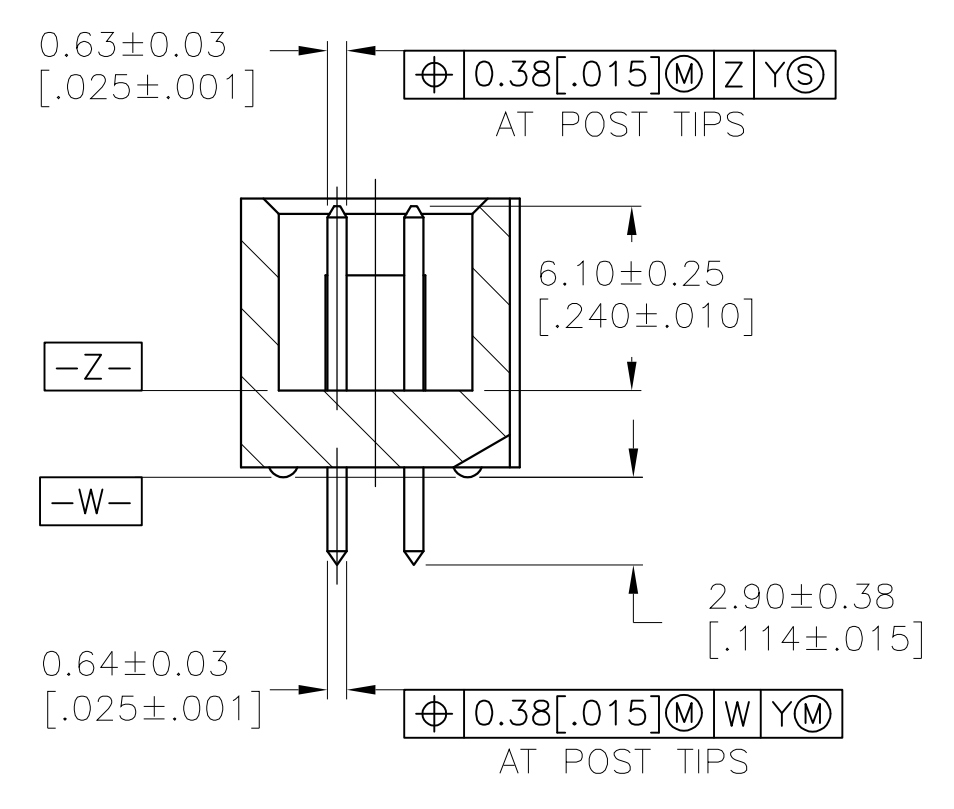
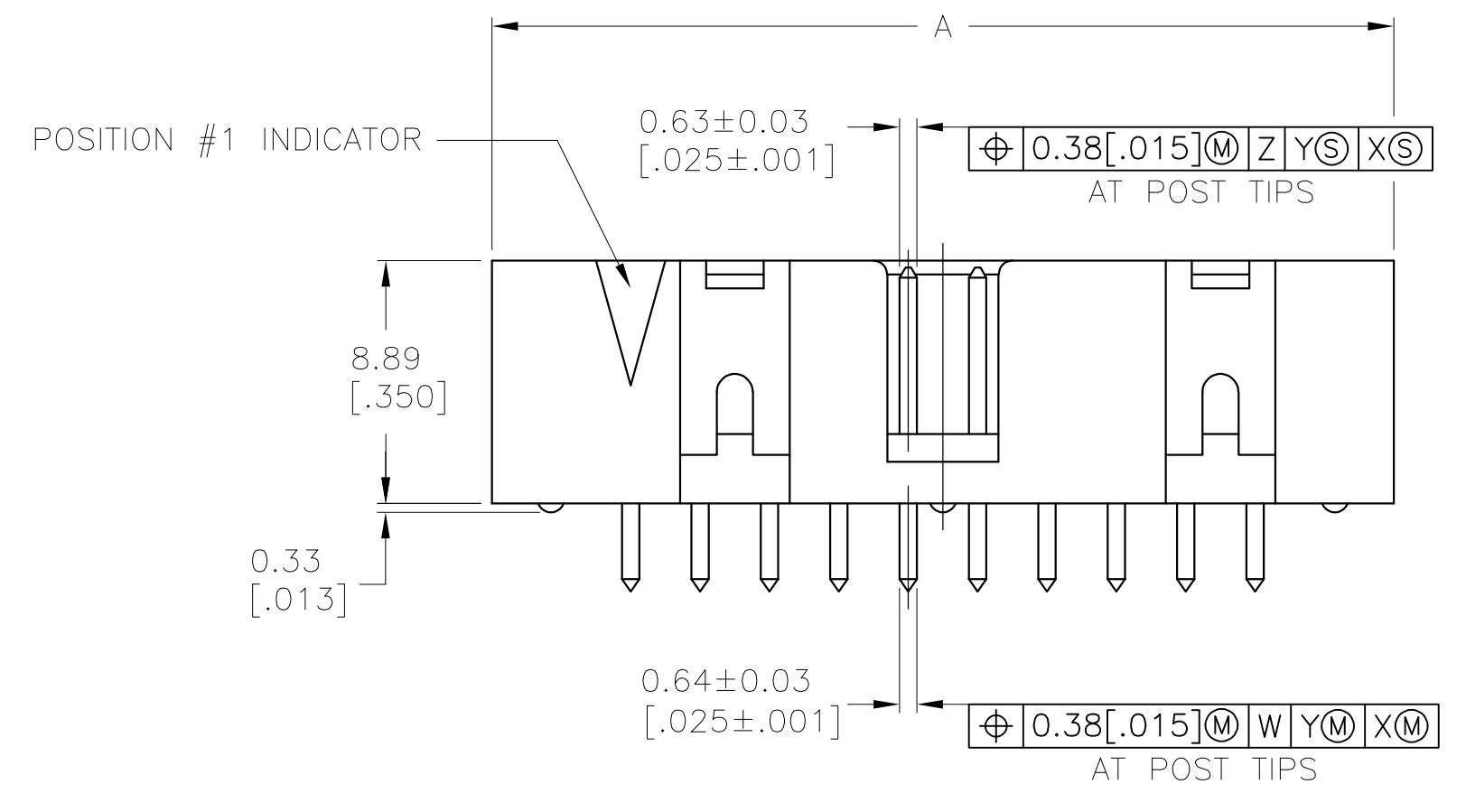


- △ HOUSING: PCT, UL94V-0, COLOR BLACK.
- △ POSTS: PHOSPHOR BRONZE.
- △ POSTS: 0.00038[.000015] MIN GOLD ON MATING AREA, 0.00254[.000100] MIN TIN ON SOLDER END, ALL OVER 0.00127[.000050] MIN NICKEL ON ENTIRE POST.
- △ DATUMS S & T TO BE ESTABLISHED BY CUSTOMER.
- △ NO KEYING SLOT ON THIS END FOR 6, 8, 10 & 14 POSITION ASSEMBLIES.
- △ NO KEYING SLOT ON THIS END FOR 6, 8 & 10 POSITION ASSEMBLIES.



RECOMMENDED PC BOARD LAYOUT
(VIEWED FROM CONNECTOR SIDE)

	78.74 [3.100]	31	86.36 [3.400]	88.90 [3.500]	64	1-1761681-7
OBSOLETE	73.66 [2.900]	29	81.28 [3.200]	83.82 [3.300]	60	1-1761681-6
	60.96 [2.400]	24	68.58 [2.700]	71.12 [2.800]	50	1-1761681-5
	48.26 [1.900]	19	55.88 [2.200]	58.42 [2.300]	40	1-1761681-3
	40.64 [1.600]	16	48.26 [1.900]	50.80 [2.000]	34	1-1761681-1
	30.48 [1.200]	12	38.10 [1.500]	40.64 [1.600]	26	1761681-9
OBSOLETE	27.94 [1.100]	11	35.56 [1.400]	38.10 [1.500]	24	1761681-8
	22.86 [0.900]	9	30.48 [1.200]	33.02 [1.300]	20	1761681-7
	17.78 [0.700]	7	25.40 [1.000]	27.94 [1.100]	16	1761681-6
	15.24 [0.600]	6	22.86 [0.900]	25.40 [1.000]	14	1761681-5
	10.16 [0.400]	4	17.78 [0.700]	20.32 [0.800]	10	1761681-3
OBSOLETE	7.62 [0.300]	3	15.24 [0.600]	17.78 [0.700]	8	1761681-2
	5.08 [0.200]	2	12.70 [0.500]	15.24 [0.600]	6	1761681-1
	D	C	B	A	NO OF POS	PART NUMBER

THIS DRAWING IS A CONTROLLED DOCUMENT.

DIMENSIONS:	TOLERANCES UNLESS OTHERWISE SPECIFIED:	APPROVED:	NAME:
mm [INCHES]	0 PLC ± -	J. GERACE	J. GERACE
	1 PLC ± -	S. BOLASH	S. BOLASH
	2 PLC ± -	M. WALMSLEY	M. WALMSLEY
	3 PLC ± 0.13[.005]		
	4 PLC ± -		
	ANGLES ± -		

TE Connectivity

HEADER ASSEMBLY, VERTICAL, LOW PROFILE, IDC

SIZE: A1 CAGE CODE: 00779 DRAWING NO: 1761681

WEIGHT: RESTRICTED TO: CUSTOMER DRAWING SCALE: 4:1 SHEET 1 OF 1 REV: A1

Mouser Electronics

Authorized Distributor

Click to View Pricing, Inventory, Delivery & Lifecycle Information:

[TE Connectivity:](#)

[1761681-6](#)