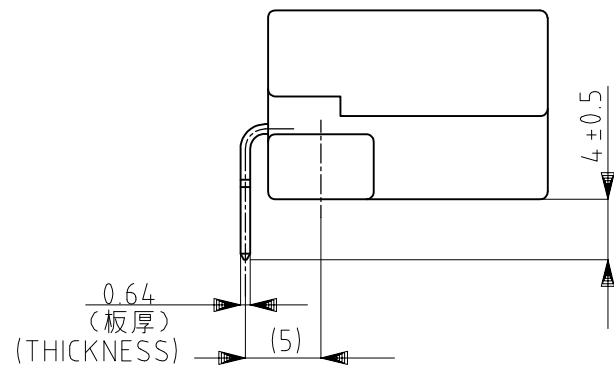
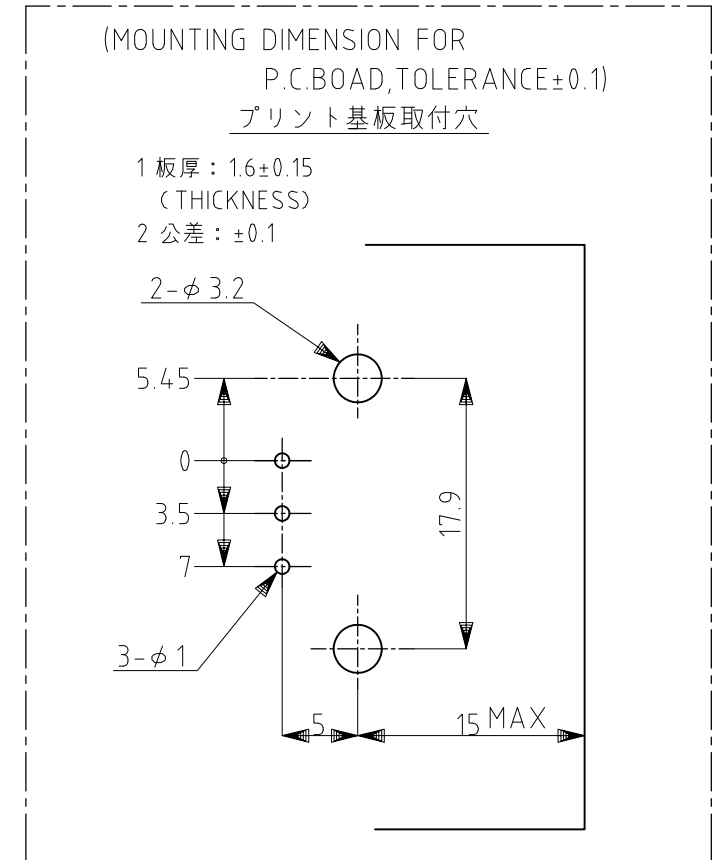
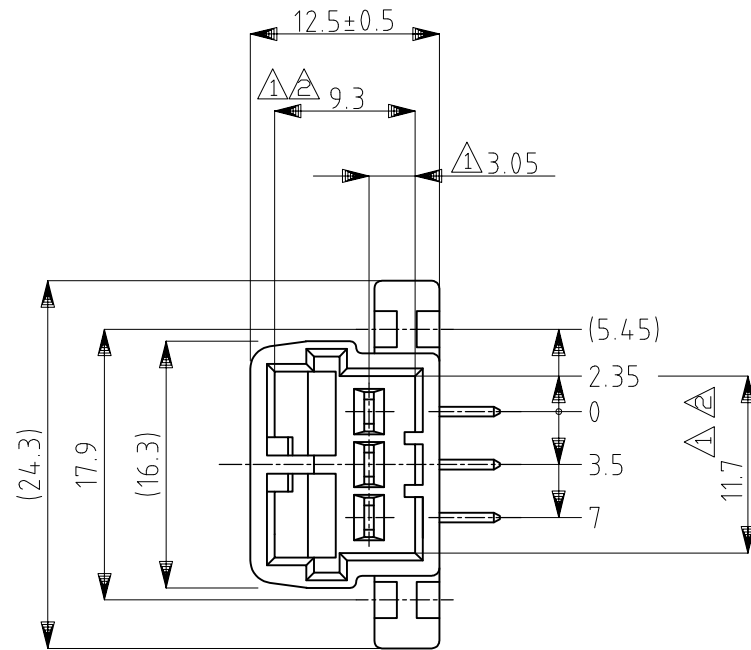
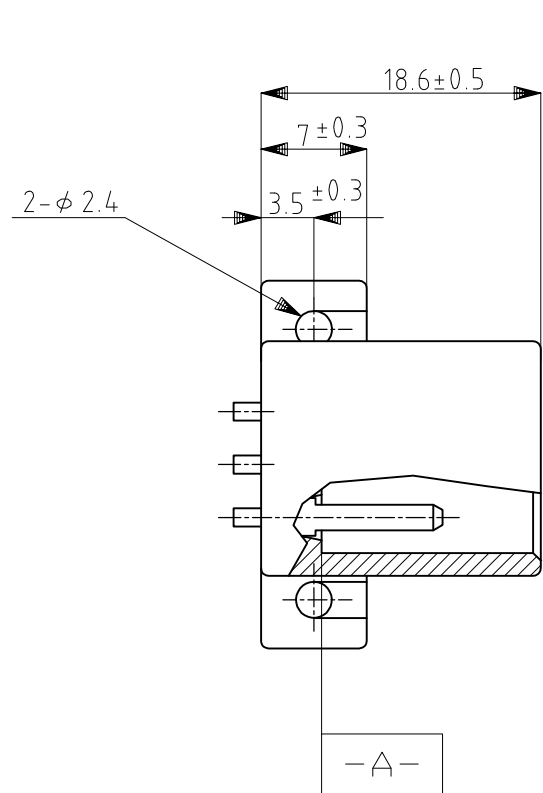


LOC	DIST	REVISIONS					
J	—	P	LTR	DESCRIPTION	DATE	DWN	APVD
			D7	OBSOLETE -3	ECR-11-005105	22JUN11	KF HY



	CARTON BOX	PVC TUBE	SELECTIVE-TIN (MATTE)	SELECTIVE GOLD	WHITE	5175781-2
OBSOLETE	CARTON BOX	AIR CAP BAG	SELECTIVE-TIN	PRE-TIN	WHITE	3-175781-1
	CARTON BOX	PVC TUBE	PRE-TIN	PRE-TIN	WHITE	175781-4
OBSOLETE	CARTON BOX	PVC TUBE	SELECTIVE-TIN (MATTE)	SELECTIVE-TIN (BRIGHT)	WHITE	175781-3
	CARTON BOX	PVC TUBE	TIN-LEAD	SELECTIVE GOLD	WHITE	175781-2
	CARTON BOX	AIR CAP BAG	PRE-TIN	PRE-TIN	WHITE	175781-1
	OUTER 外装	INNER 内装	SOLDERING SIDE 半田付け側	CONTACT SIDE 接触部側	COLOR 色	PART NUMBER 製品型番
	PACKING STYLE 梱包形態		CONTACT FINISH コンタクト仕上げ			

- ① [-A-] 面より2mmの範囲で測定。
- ② 相手ハウジング (型番: 174921) と所定の機能を満たして嵌合できること。
- 3. プリント基板への取付けは、JIS-B1115 又は 1122, M3×6ナベ (2種又は4種) のタッピングネジで締め付けた後ハンダ付けする。(締め付けトルク; 0.392N-m以下)

- ① MUST BE KEPT BETWEEN [-A-] AND 2
- ② TO MATE WITH PLUG HOUSING (PN 174921) SMOOTHLY.
- 3. RECOMMEND MOUNTING SCREW; M3×6 PAN HEAD, CLASS 2 TAPPING SCREW SPECIFIED IN JIS B1115, B1122 (TIGHTENING TORQUE; 0.392N-m MAX)

TOLERANCE UNLESS OTHERWISE SPECIFIED: 一般公差

0 < x ≤ 10	: ±0.2
10 < x ≤ 30	: ±0.25
30 < x ≤ 100	: ±0.3
ANGLE ; 角度	: ±3°

THIS DRAWING IS A CONTROLLED DOCUMENT.

DWN T.SHINOHARA 27DEC04
CHK K.BETSUI 27DEC04
APVD K.BETSUI 27DEC04

PRODUCT SPEC 製品規格 108-5216
APPLICATION SPEC 取付適用規格

NAME 名称 070 SERIES MULTI-LOCK CONNECTOR
3POSITION CAP HOUSING ASSEMBLY (W-B, H-TYPE)

SIZE A3 CAGE CODE 00779 DRAWING NO. 175781 RESTRICTED TO

WEIGHT -

CUSTOMER DRAWING SCALE 2:1 SHEET 1 OF 1 REV D7

MATERIAL 材料 HSG; PBT TAB; BRASS

FINISH 仕上

Mouser Electronics

Authorized Distributor

Click to View Pricing, Inventory, Delivery & Lifecycle Information:

[TE Connectivity:](#)

[175781-1](#)