

ENG

GER

FRE

ITL

ESP

SWE

α2 Simple Application Controller

HARDWARE MANUAL

HARDWARE-HANDBUCH

MANUEL DU MATÉRIEL

MANUALE HARDWARE

MANUAL DE HARDWARE

MASKINVARUHANDBOK

Foreword

- This manual contains text, diagrams and explanations which will guide the reader in the correct installation, safe use and operation of the Q2 series and should be read and understood before attempting to install or use the unit.
- If in doubt at any stage of the installation of the Q2 series always consult a professional electrical engineer who is qualified and trained to the local and national standards. If in doubt about the operation or use of the a series controller please consult the nearest Mitsubishi Electric distributor.
- This manual is subject to change without notice.

α2 Simple Application Controller

ENG

Hardware Manual

Manual number: JY992D97301

Manual revision: B

Date: 06/2002

FAX BACK

Mitsubishi has a world wide reputation for its efforts in continually developing and pushing back the frontiers of industrial automation. What is sometimes overlooked by the user is the care and attention to detail that is taken with the documentation. However, to continue this process of improvement, the comments of the Mitsubishi users are always welcomed. This page has been designed for you, the reader, to fill in your comments and fax them back to us. We look forward to hearing from you.

Fax numbers:	Your name.....
Mitsubishi Electric....
America (01) 847-478-2253	Your company
Australia (02) 638-7072
Germany (0 21 02) 4 86-11 20	Your location:
Spain (0 34) 93 589-1579
United Kingdom (01707) 278-695

Please tick the box of your choice

What condition did the manual arrive in? Good Minor damage Unusable

Will you be using a folder to store the manual? Yes No

What do you think to the manual presentation? Tidy Unfriendly

Are the explanations understandable? Yes Not too bad Unusable

Which explanation was most difficult to understand:

.....

Are there any diagrams which are not clear? Yes No

If so, which:

What do you think to the manual layout? Good Not too bad Unhelpful

If there one thing you would like to see improved, what is it?

.....

.....

Could you find the information you required easily using the index and/or the contents, if possible please identify your experience:

.....

.....

.....

Do you have any comments in general about the Mitsubishi manuals?

.....

.....

.....

Thank you for taking the time to fill out this questionnaire. We hope you found both the product and this manual easy to use.

Guidelines for the Safety of the User and Protection of equipment

This manual provides information for the use of the α2 Series Controllers. The manual has been written to be used by trained and competent personnel. The definition of such a person or persons is as follows;

- a) Any engineer who is responsible for the planning, design and construction of automatic equipment using the product associated with this manual should be of a competent nature, trained and qualified to the local and national standards required to fulfill that role. These engineers should be fully aware of all aspects of safety with regards to automated equipment.
- b) Any commissioning or service engineer must be of a competent nature, trained and qualified to the local and national standards required to fulfill that job. These engineers should also be trained in the use and maintenance of the completed product. This includes being completely familiar with all associated documentation for the said product. All maintenance should be carried out in accordance with established safety practices.
- c) All operators of the completed equipment should be trained to use that product in a safe and coordinated manner in compliance to established safety practices. The operators should also be familiar with documentation which is connected with the actual operation of the completed equipment.

Note : The term 'completed equipment' refers to a third party constructed device which contains or uses the product associated with this manual.

Notes on the Symbols Used in this Manual

At various times through out this manual certain symbols will be used to highlight points of information which are intended to ensure the users personal safety and protect the integrity of equipment. Whenever any of the following symbols are encountered its associated note must be read and understood. Each of the symbols used will now be listed with a brief description of its meaning.

Hardware Warnings



1) Indicates that the identified danger **WILL** cause physical and property damage.



2) Indicates that the identified danger could **POSSIBLY** cause physical and property damage.



3) Indicates a point of further interest or further explanation.

Software Warnings



4) Indicates special care must be taken when using this element of software.



5) Indicates a special point which the user of the associate software element should be aware of.



6) Indicates a point of interest or further explanation.

- Under no circumstances will Mitsubishi Electric be liable or responsible for any consequential damage that may arise as a result of the installation or use of this equipment.
- All examples and diagrams shown in this manual are intended only as an aid to understanding the text, not to guarantee operation. Mitsubishi Electric will accept no responsibility for actual use of the product based on these illustrative examples.
- Owing to the very great variety in possible application of this equipment, you must satisfy yourself as to its suitability for your specific application.

Further Information Manual Lists

	Manual Name	Manual No.	Description
⊙	α2 Hardware Manual (This manual)	JY992D97301	This manual contains hardware explanations for wiring, installation and specification for α2 Series controllers.
⊙	α2 Programming Manual <English only>	JY992D97101	This manual contains instruction explanations for the α2 Series controllers.
○	α Software Manual <English only>	JY992D74001	This manual contains explanations of operation of AL-PCS/WIN-E Programming Software.
○	α2 Series Communication User's Manual <English only>	JY992D97701	This manual contains explanations for the setup, messaging, diagnostics, bit assignments, etc for communications using the α2 series controller.
□	α2 Series Installation Manual	JY992D97501	This manual contains hardware explanations of installation for α2 Series controller.
□	AL2-4EX, AL2-4EX-A2, AL2-4EYR, AL2-4EYT Installation Manual	JY992D97401	This manual contains hardware explanations of installation for AL2-4EX, AL2-4EX-A2, AL2-4EYR and AL2-4EYT extension module.
□	AL2-EEPROM-2 Hardware Manual	JY992D96801	This manual contains hardware explanations of installation for AL2-EEPROM-2.
□	AL-232CAB Hardware Manual	JY992D76001	This manual contains hardware explanations of installation for AL-232CAB.
□	AL2-GSM-CAB Hardware Manual	JY992D97201	This manual contains hardware explanations of installation for AL2-GSM-CAB.
□	AL-ASI-BD, AL2-ASI-BD Hardware Manual	JY992D81401	This manual contains hardware explanations of wiring, installation and specification, etc. for AL-ASI-BD and AL2-ASI-BD.

- ⊙ Refer to these manuals.
- Refer to this manual if necessary.
- Refer to the content of these manuals if necessary though it is included in α2 Hardware Manual.

Table of Contents

Guidelines of Safety	ENG-v
1. Introduction.....	ENG-1
1.1 Special Features of the α2 Series System.....	ENG-2
1.2 Available Models	ENG-3
1.3 Dimensions and Each Part Name	ENG-4
1.4 System Configuration	ENG-5
1.5 Applicable Programming Software	ENG-5
2. Specifications	ENG-7
2.1 Power Supply Specification	ENG-7
2.2 Input Specification	ENG-8
2.3 Output Specification	ENG-10
2.4 General Specification	ENG-11
3. Installation	ENG-13
3.1 Installation Mounting Notes	ENG-13
3.2 DIN RAIL Mounting of Main Unit	ENG-14
3.2.1 Installation	ENG-14
3.2.2 Remove	ENG-14
3.3 Direct Mounting of Main Unit	ENG-15
3.4 Install Extension Module.....	ENG-15
4. Wiring	ENG-17
4.1 Installation Wiring Notes.....	ENG-17
4.2 Wire Size	ENG-18
4.3 Power Supply	ENG-19
4.4 AC Power Supply and Input Wiring	ENG-20
4.4.1 AC Power Supply and Input Wiring	ENG-20
4.4.2 AL2-4EX-A2 Input Wiring	ENG-20
4.5 DC Power Supply and Input Wiring	ENG-21
4.5.1 DC Power Supply and Source (“+” Common) Input Wiring Diagram	ENG-21
4.5.2 AL2-4EX Source (“+” Common) Input Wiring Diagram	ENG-21
4.5.3 DC Power Supply and Sink (“-” Common) Input Wiring Diagram.....	ENG-22
4.5.4 AL2-4EX Sink (“-” Common) Input Wiring Diagram.....	ENG-22
4.6 Output Relay and Transistor Wiring	ENG-23
4.6.1 Relay Output Wiring Diagram main unit (AC and/or DC)	ENG-23
4.6.2 Relay Output Wiring Diagram AL2-4EYR (AC and/or DC)	ENG-24
4.6.3 Transistor Output (Source or “+” Common Only) Wiring Diagram AL2-4EYT ...	ENG-25
5. Terminal Layout.....	ENG-27
6. AL2-EEPROM-2	ENG-29
6.1 Installation	ENG-30

7. AL-232CAB	ENG-31
7.1 Introduction.....	ENG-31
7.1.1 External Dimensions	ENG-31
7.2 Connected to AL-232CAB cable.....	ENG-32
8. AL2-GSM-CAB	ENG-35
8.1 Introduction.....	ENG-35
8.1.1 External Dimensions	ENG-35
8.1.2 System Configuration with using AL2-GSM-CAB.....	ENG-36
8.2 Installation	ENG-37
8.3 Remote Maintenance with a Modem	ENG-39
8.3.1 Recommended Modems	ENG-39
8.3.2 RS-232C Straight Cable Between Modem and AL2-GSM-CAB.....	ENG-39
8.3.3 Modem Setting	ENG-40
9. AL2-ASI-BD	ENG-43
9.1 Introduction.....	ENG-43
9.1.1 External Dimensions	ENG-43
9.1.2 System Configuration	ENG-44
9.2 Specifications	ENG-44
9.3 Wiring & Installation.....	ENG-45
9.3.1 Installation	ENG-45
9.3.2 Wiring	ENG-46
9.4 Slave Address Setting & Diagnostics	ENG-46
9.4.1 Setting Slave Address	ENG-46
9.4.2 Applicable Error checks.....	ENG-46
10.Key, System Bit and Function Block Lists	ENG-47
10.1 Key Lists	ENG-47
10.2 System Bit Lists	ENG-48
10.2.1 System Bit Lists.....	ENG-48
10.2.2 Control Bit Lists	ENG-48
10.3 Function Block Lists.....	ENG-49
11.Diagnostics	ENG-53
11.1 Input Status Error	ENG-54
11.2 Output Status Error.....	ENG-54
11.3 TOP MENU is not Displayed	ENG-55
11.4 Cannot enter Run Mode.	ENG-56
11.5 Incorrect Clock Data	ENG-56
11.6 The “?” appears on the Display	ENG-56
11.7 Cannot Use an Operation Key.....	ENG-57
11.8 Incorrect LCD display	ENG-58
11.9 Memory Cassette Is Not Working Correctly.....	ENG-58
11.10Cannot Communicate with the AS-interface Master Module	ENG-59
11.11Cannot Communicate with AL-PCS/WIN-E.	ENG-60

1. Introduction

The α2 series can be easily used in all places where control is needed for the home, office, or factory. The controller outputs cycle ON/OFF to control electrical equipment per the Function Block program.

The explanation of the instructions and the operation of main unit can be found in α2 Programming Manual. An explanation of the AL-PCS/WIN-E programming software can be found in the α Series Software Manual.

Applications

The α2 series is designed to be used in automatic applications including those listed below.

- Automation of lights, air-conditioning, or watering systems
- The opening and shutting of gates
- Easy security systems
- Domestic animal and pet food distribution systems
- Control of stockyards and greenhouses

However, the α2 series is not designed to be used in the following applications. Please contact a Mitsubishi distributor for more information.

- Applications where high reliabilities such as nuclear power control, railway facilities, airline facilities, vehicles, combustion equipment, and medical equipment are required.
- Applications in life critical situations.

ENG

1.1 Special Features of the α2 Series System

- 1) Display message and Function Block data
 The α2 series can display the state of operation and the alarm on the LCD display as a message. It can display the following contents by the using display function block. The value of displayed timers and counters can be changed in the RUN mode.
 - Total characters on LCD display: 12 characters × 4 lines
 - Display Items: Message, value (current or set) of timer and counter, analog values, etc
- 2) The programming in the personal computer is fast and easy
 The programming software AL-PCS/WIN-E for Windows can make and save programs. The programming can be done using a pictorial method in which lines are used to connect function blocks on a programming screen.
 Direct programming using the α2 controller front panel keys is also available.
- 3) LCD image send via GSM modem
 The α2 series is able to send the LCD image as an E-mail using a GSM modem. The user can monitor application status by accessing the diagnostic message sent as an E-mail via GSM modem
- 4) Supports computer link using dedicated protocol
 The α2 series supports computer link (dedicated protocol). User-specific application software using computer link (dedicated protocol) can change schedule data, parameters within Function Blocks and provide condition monitoring of the application.
- 5) Enhancement of clock function
 The weekly timer and the calendar timer function have many switches that can be set and provide powerful time dependant control capabilities.
- 6) Analog input, 0 - 10V/0 - 500:
 The DC input for the α2 series can accept of 0 - 10V signals with a resolution of 0 - 500.
- 7) High speed counter, Max. 1kHz
 The α2 series has high speed counters (Max. 2 points) when using AL2-4EX (EI1, EI2).
- 8) High current output capability

Table 1.1: High Current Output Capability

Output Type		Capability
Relay	AL2-14MR-*: O01 - 06 AL2-24MR-*: O01 - 04	8A/Common
	AL2-24MR-*: O05 - 09 AL2-4EYR: EO1 - EO4	2A/Point (4A/Common)
Transistor	AL2-4EYT: EO1 - EO4	1A/Point

- 9) Built-in EEPROM
 The built in EEPROM eliminates the need for battery backed data.
- 10) Supports 6 languages:
 The α2 series supports 6 languages (English, German, French, Italian, Spanish, and Swedish). The displayed language can be selected in the TOP MENU.

1.2 Available Models

Table 1.2:Main Units

Model	Power Supply	Input		Output		Dimensions mm (inches)	MASS (Weight) kg (lbs)
		Type	Number	Type	Number		
AL2-14MR-A	100 - 240V AC~	100 - 240V AC~	8	RELAY	6	124.6 x 90 x 52 (4.91 x 3.54 x 2.05)	0.30 ^{*1} (0.66)
AL2-14MR-D	24V DC	24V DC Sink/Source	8	RELAY	6		
AL2-24MR-A	100 - 240V AC~	100 - 240V AC~	15	RELAY	9		0.35 ^{*1} (0.77)
AL2-24MR-D	24V DC	24V DC Sink/Source	15	RELAY	9		

*1 Without extension modules.

Table 1.3:Extension Modules

Model	Input		Output		MASS (Weight) kg (lbs)
	Type	Number	Type	Number	
AL2-4EX-A2	220 - 240V AC~	4	—	—	0.05 (0.11)
AL2-4EX	24V DC, Sink/Source	4	—	—	
AL2-4EYR	—	—	RELAY	4	
AL2-4EYT	—	—	TRANSISTOR	4	

ENG

1.3 Dimensions and Each Part Name

Figure 1.1: Each Part Name

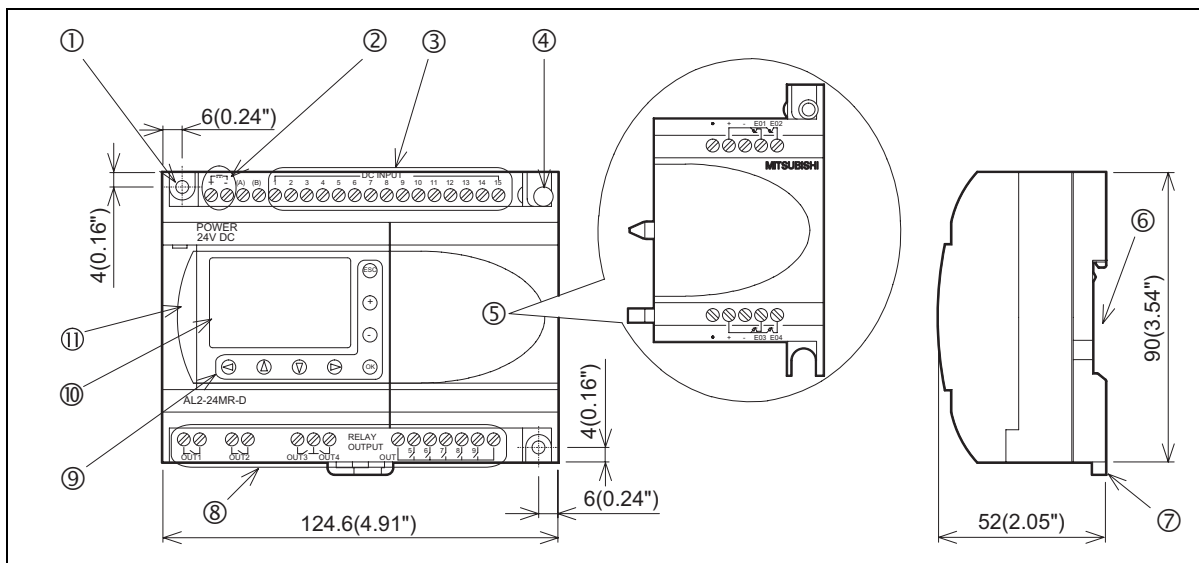
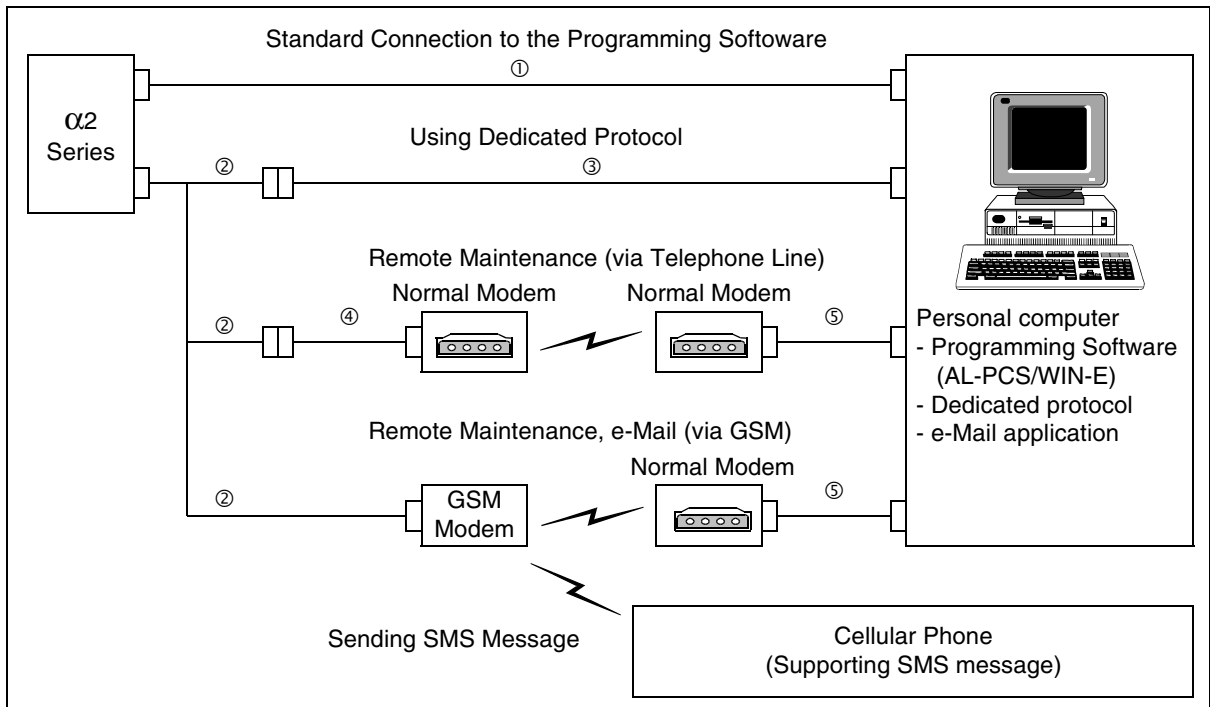


Table 1.4: Each Part Name

Ref.	Item Description
1	Mounting hole, $\phi 4.2$ mm
2	Power terminals
3	Input terminals
4	Mounting screw for the extension cover or extension module
5	Extension cover or extension module
6	Groove for DIN rail mounting (Width of DIN rail 35mm <DIN EN 50022>)
7	DIN-RAIL mounting clips
8	Output terminals
9	Operation keys
10	Liquid crystal display
11	Programming port cover

1.4 System Configuration

Figure 1.2: System Configuration



ENG

Table 1.5: System Configuration

Item	Using Cable
1	AL-232CAB
2	AL2-GSM-CAB
3	RS-232C cross cable*1
4	RS-232C straight cable for the modem*1
5	RS-232C straight cable for the modem (specified by Modem manufacture)

*1 Further information can be found in chapter 8.

1.5 Applicable Programming Software

The α2 series is supported by the programming software (AL-PCS/WIN-E) V2.00 or later. Versions lower than V2.00, do not communicate with the α2 series.

MEMO

2. Specifications

2.1 Power Supply Specification

Table 2.1: Power Supply Specifications

Description	Code	Specification
Power Supply	AL2-***-A	100 - 240V AC~, +10% -15%, 50/60 Hz
	AL2-***-D	24V DC, +20% -15%
Maximum Momentary Power Failure	AL2-***-A	10ms
	AL2-***-D	5ms
In-rush Current	AL2-***-A, 240V AC~ (120V AC~)	≤ 6.5 A (3.5 A)
	AL2-***-D, 24V DC	≤ 7.0 A
Maximum Power Consumption	AL2-14MR-A, 264V AC~	5.5 W
	AL2-14MR-D, 28.8V DC	7.5 W
	AL2-24MR-A, 264V AC~	7.0 W
	AL2-24MR-D, 28.8V DC	9.0 W
Typical Power Consumption (without Special Connection Modules)	AL2-14MR-A, 240V AC~	I/O all On - 4.5 W; I/O all Off - 2.0 W
	AL2-14MR-A, 120V AC~	I/O all On - 3.5 W; I/O all Off - 1.5 W
	AL2-14MR-D, 24V DC	I/O all On - 4.0 W; I/O all Off - 1.0 W
	AL2-24MR-A, 240V AC~	I/O all On - 5.5 W; I/O all Off - 2.5 W
	AL2-24MR-A, 120V AC~	I/O all On - 4.5 W; I/O all Off - 2.0 W
	AL2-24MR-D, 24V DC	I/O all On - 5.0 W; I/O all Off - 1.0 W

ENG

2.2 Input Specification

Table 2.2: AC Input Specifications

Description	AC Input Specification		
	main unit		AL2-4EX-A2
	I01 - I08	I09 - I15	EI1 - EI4
Input Voltage	100 - 240V AC~, +10% -15%, 50/60 Hz		220 - 240V AC~, +10% -15%, 50/60 Hz
Input Current	0.13mA / 120V AC~*1 0.25mA / 240V AC~*1	0.15mA / 120V AC~*1 0.29mA / 240V AC~*1	7.5mA / 240V AC~ 50Hz 9.0mA / 240V AC~ 60Hz
Input Impedance	≥ 800 kΩ		32kΩ (50Hz) 27kΩ (60Hz)
OFF → ON/ ON → OFF	≥ 80V / ≤ 40V		≥ 160V / ≤ 40V
Response Time	OFF → ON	35-85ms, 120V AC~ 25-55ms, 240V AC~	15 - 40ms / 240V AC~
	ON → OFF	35-85ms, 120V AC~ 50-130ms, 240V AC~	
Isolation Circuit	None		Photocoupler
Operation Indication	Liquid Crystal Display		

*1 Current leakage from the sensors connected to the inputs might provide enough current to turn the controller On. Do not use two wire sensors

Table 2.3: DC Input Specifications

Description			Sink ("-" Common)	Source ("+" Common)
Input Voltage			24V DC +20% -15%	24V DC +20% -15%
Input Current	main unit	I01 - I08	5.5mA, 24V DC	6.0mA, 24V DC
		I09 - I15		5.5mA, 24V DC
	AL2-4EX	EI1 - EI4	5.4mA, 24V DC	5.4mA, 24V DC
OFF → ON/ ON → OFF	main unit	I01 - I15	Current: ≥ 4.7mA / ≤ 1.1 mA Voltage: ≤ 4V / ≥ 18V	Voltage: ≥ 18V / ≤ 4V
	AL2-4EX	EI1 - EI4	Voltage: ≥ 18V / ≤ 4V	Voltage: ≥ 18V / ≤ 4V
Response Time	main unit		10 - 20ms	
	AL2-4EX*1		10 - 20ms	
Isolation Circuit	main unit		None	
	AL2-4EX		Photocoupler	
Operation Indication			Liquid Crystal Display	

*1 EI1 and EI2 in AL2-4EX can be used as High Speed Counters.
When using the High Speed Counter function, the input response time is 0.5ms or less.

Table 2.4: Analog Input Specifications (Only AL2-*-D Type Unit)**

Description	Analog Input Specification
Number of Input Points	8 (I01 - I08)
Analog Input Range	0 - 500
Resolution	9 bit, 20mV (10000/ 500mv)
Conversion Speed	8ms
Input Voltage	0 - 10V DC
Input Impedance	142kΩ ± 5%
Overall Accuracy	± 5% (0.5V DC)
Offset/Gain	Offset Value = 0 at 0V DC Gain Value: 0 - 10V = 0 - 500 These default values can be changed in the OffsetGain FB
Temperature Drift	± 3 LSB

ENG

2.3 Output Specification

Table 2.5: Relay Output Specifications

Description		Relay Specification
Switched Voltage		250V AC~ or less, 30V DC or less
Max. Resistive Load	AL2-14MR-* (O01 - O06)	8A/COM
	AL2-24MR-* (O01 - O04)	
	AL2-24MR-* (O05 - O09)	2A/point (4A/COM)
	AL2-4EYR (EO1 - EO4)	2A/point
Contact Life Cycle / Resistance Load	AL2-14MR-* (O01 - O06)	100,000 Cycles at 8 Amps / 240V AC~ or 24V DC
	AL2-24MR-* (O01 - O04)	
	AL2-24MR-* (O05 - O09)	100,000 Cycles at 2 Amps / 240V AC~ or 24V DC
	AL2-4EYR (EO1 - EO4)	
Minimum Load		50mW (10mA at 5V DC)
Max. Inductive Load	AL2-14MR-* (O01 - O06)	249 VA (1/3 hp) / 125V AC~, 373 VA (1/2 hp) / 250V AC~
	AL2-24MR-* (O01 - O04)	
	AL2-24MR-* (O05 - O09)	93 VA (1/8 hp) / 125V AC~, 93 VA (1/8 hp) / 250V AC~
	AL2-4EYR (EO1 - EO4)	
Response Time		≤ 10 ms
Operation Indication		Liquid Crystal Display
Isolation Circuit		By Relay

Table 2.6: Transistor Output Specifications (Source Type only) of AL2-4EYT

Description	Transistor Specification
Switched Voltage	5 - 24V DC (+20%, -5%)
Max. Resistive Load	1A / point (8 - 24V DC), 0.1A / point (5 - 8V DC)
Minimum Load	1.0mA
Max. Inductive Load	1A / 24V DC (24 W)
Response Time On/Off, Off/On (approx)	≤ 1 ms
Open Circuit Current Leakage	≤ 0.1mA / 24V DC
Operation Indication	Liquid Crystal Display
Isolation Circuit	Photocoupler

2.4 General Specification

Table 2.7: Environmental and Electrical Specifications

Description	Specification
Programming Method	Function Block
Program Capacity	200 Function Blocks or 5000 bytes
Program Storage	Built in EEPROM (no battery backup required) or optional EEPROM cassette (AL2-EEPROM-2)
Device Backup	20 Days at 25°C / 77°F (by capacitor)
RTC Backup	20 Days at 25°C / 77°F (by capacitor)
RTC Accuracy	5 s / day (25°C / 77°F)
Operating Temperature	Controller Hardware: (-25) - 55°C / (-13) - 101°F Controller Display: (-10) - 55°C / 14 - 101°F
Storage Temperature	(-30) - 70°C / (-22) - 158°F
Vibration Resistance - Direct Mounting	Conforms to IEC 68-2-6; 10-57Hz: 0.15mm Constant Amplitude 57-150Hz: 19.6m/s ² Acceleration Sweep Count for X,Y,Z: 10 times (80 minutes in each direction)
Vibration Resistance - DIN Rail mounting	Conforms to IEC 68-2-6; 10-57Hz: 0.075mm Constant Amplitude 57-150Hz: 9.8m/s ² Acceleration Sweep Count for X,Y,Z: 10 times (80 minutes in each direction)
Shock Resistance	Conforms to IEC 68-2-27: 147m/s ² Acceleration, Action Time: 11ms 3 times in each direction X,Y, and Z
Noise Immunity	1000Vpp, 1 μs, 30 - 100Hz, tested by noise simulator
Humidity	35 - 85% Relative Humidity, no condensation
Dielectric withstand voltage	3750V AC~ > 1min per IEC 60730-1 between the following points: Power/Input Terminals and Relay Output Terminals Relay Output Terminal and Relay Output Terminal All Terminals and the DIN 43880 Control box or equivalent
Insulation Resistance	7 MΩ at 500V DC per IEC60730-1 between the following points: Power/Input Terminals and Relay Output Terminals Relay Output Terminal and Relay Output Terminal All Terminals and the DIN 43880 Control box or equivalent
Type of Action	IEC 60730-1, Section 6.4.3 - Type 1C (Relay Output)
Type of Action	IEC 60730-1, Section 6.4.3 - Type 1Y (Transistor Output)
Software Class	IEC 60730-1, Section H6.18 - Class A
Purpose of Control	IEC 60730-1, Section 2.2 - Electrical Control
Construction of Control	IEC 60730-1, Section 6.15 - Incorporated Control
Whether the Control is electric	IEC 60730-1, Section H2.5.7 - Electronic Control
Safety Class	II
Pollution Degree	2
Grounding	None
Electrical Isolation	Reinforced primary/secondary insulation
Operation Ambience	To be free of corrosive gases. Dust should be minimal.
Protection	IP 20

ENG

Table 2.7: Environmental and Electrical Specifications

Description	Specification
Temperature for the Ball Pressure Test	75°C (167°F)
EC Directive	EMC, LVD
Certifications	UL/cUL
Attestation of Conformity	TÜV PRODUCT SERVICE
Complies with	UL 508* ¹ IEC 60730-1* ¹ EN 61010-1 EN 50081-1* ¹ EN 50082-1 EN 61000-6-2
Liquid Crystal Display	Will display 4 lines of 12 characters per line, Program Run On/Off mode, Password Protection, Image Table, and Function Blocks during programming.

*1 AL2-ASI-BD is not complied with these standards.

3. Installation

3.1 Installation Mounting Notes

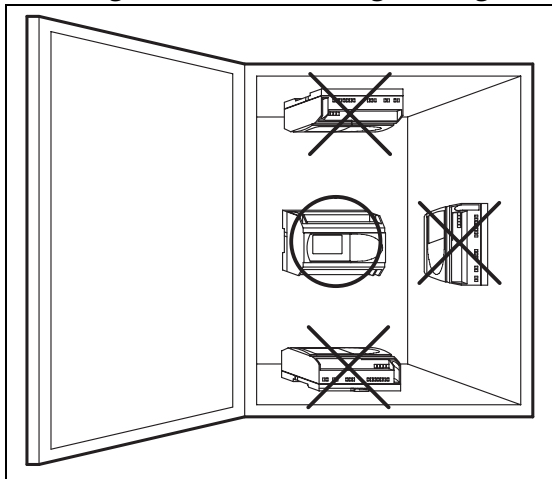


The α2 Series' safe design means the user can install it almost anywhere but please take the following points into consideration.

- Do not install in areas with excessive or conductive dust, corrosive or flammable gas, moisture or rain, excessive heat, regular impact shocks or excessive vibration. Do not place in water or let water leak onto the controller.
- Do not allow debris to fall inside the unit during installation.
- Keep as far as possible from high-voltage cables and power equipment.
- The α2 Series Controller must be installed in cabinets which are designed for the assembly of devices complying to DIN 43880 or in a control box

ENG

Figure 3.1: Mounting Arrangement.



- Use size M4 screws when mounting by screw holes.
- The connectors must be covered to prevent injury from contact with “live” wires.
- Leave a minimum of 10mm of space for ventilation between the top and bottom edges of the α2 Series Controller and the enclosure walls.
- Do not disassemble the α2 Series controller.



Note;

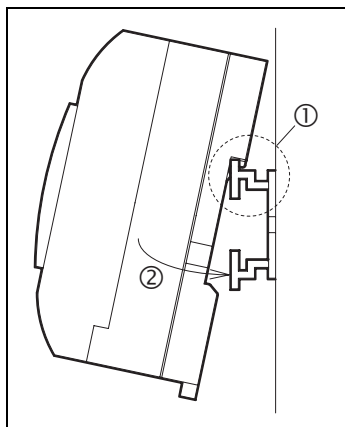
- Refer to chapter 6 when installing or removing the AL2-EEPROM-2.
- Refer to chapter 7 when installing or removing the AL-232CAB.
- Refer to chapter 8 when installing or removing the AL2-GSM-CAB.

3.2 DIN RAIL Mounting of Main Unit

Units can be snap mounted to 35mm DIN rail (DIN EN 50022). To release pull the spring loaded clips away from the rail and slide the unit off and up.

3.2.1 Installation

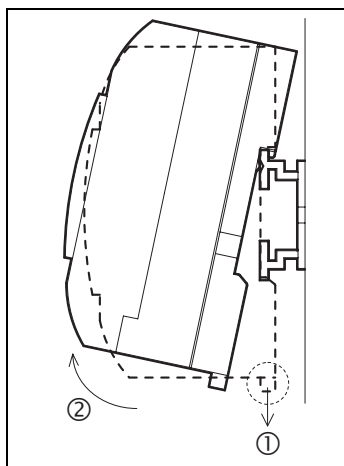
Figure 3.2: Installation



Align the upper side of the α2 DIN rail mounting groove with the DIN rail (①) and push it onto the rail (②).

3.2.2 Remove

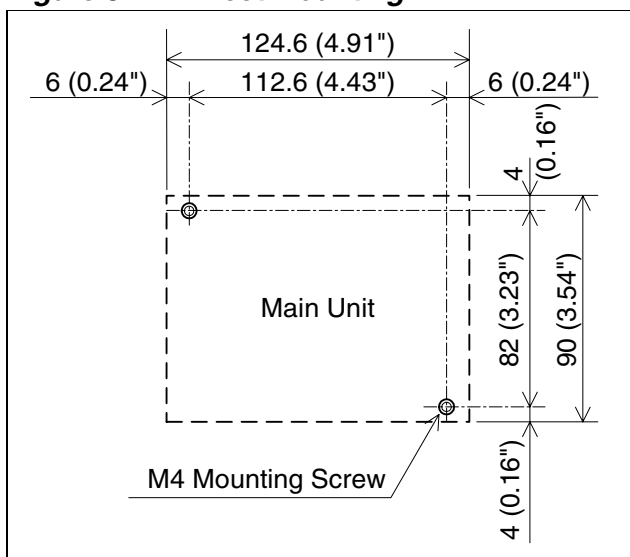
Figure 3.3: Remove



Pull the DIN rail hook (①) and remove the α2 series main unit(②)

3.3 Direct Mounting of Main Unit

Figure 3.4: Direct Mounting



ENG

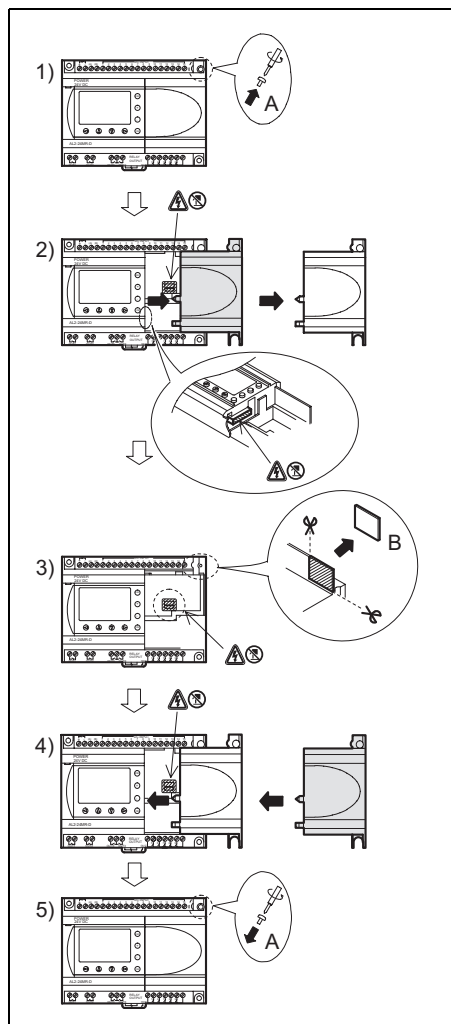
3.4 Install Extension Module



Caution:

Disconnect all terminals from the power supply before removing the cover.

Figure 3.5: Installation



- 1) Release screw 'A' and keep.
- 2) Carefully remove the factory fitted expansion port cover.
- 3) Cut away section 'B' from the α2 series controller main unit.
- 4) Attach the expansion module to the main unit.
- 5) Tighten screw 'A' to a torque of 0.4 N·m.

4. Wiring

4.1 Installation Wiring Notes



The wiring of α2 Series has been designed to be safe and easy. A technician or engineer trained in the local and national electrical standards should perform all tasks associated with the electrical wiring of the α2 Series controllers. Turn OFF the Power before performing any wiring operations.

- Input and output cables should not be run through the same multicore cable or share the same wire.
- Do not lay input/output cables near high voltage power cables.
- Input and output cable length must be than 30m (98' 5").

Allow for voltage drop and noise interference with input/output lines used over an extended distance. Please use wire that is properly sized for the current load.



The terminal will accept a 3 mm flathead screwdriver.

ENG

4.2 Wire Size

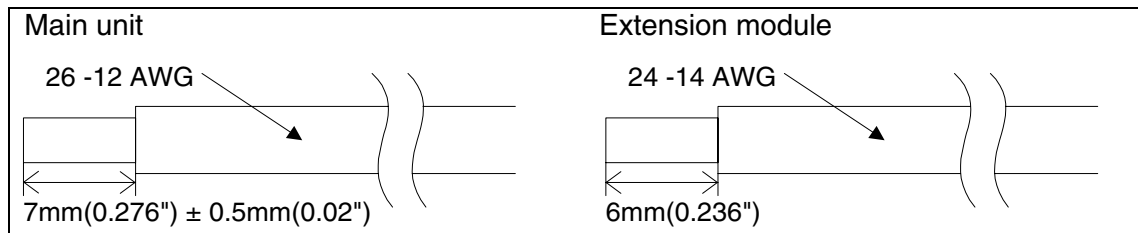
Wire of the Inputs and Outputs using the following wire. Strip the wire to the following length (See Table 4.1 and Figure 4.1). Please unscrew the terminal to its widest position before inserting a wire. Insert the wire completely into the terminal to ensure that a proper connection can be made.

The terminals will accept a 3mm flathead screwdriver.

Table 4.1: Wire Size

	Wire Size	Strip Wire Length
Main Unit	26 - 12 AWG (0.13 - 3.31mm ²)	7mm ± 0.5mm
Extension Module	24 - 14AWG (0.2 - 2.5mm ²)	6mm ± 0.5mm

Figure 4.1: Wire Size



Note;

- To avoid damaging the wire, tighten to a torque of 0.5 - 0.6 N·m.
- Please do not use tin, solder, or any other substance on the stripped wire that might cause the wire strand to break.
 - Stranded cable:
Remove sheath, twist core wires, then connect cable (or use a crimp terminal).
 - Single cable:
Remove sheath, then connect cable.

4.3 Power Supply



- When wiring AC supplies the “Live” cable should be connected to the “L” terminal and the “Neutral” cable should be connected to the “N” terminal. Do NOT connect the “Live” wire to the “N” terminal, the user might receive a dangerous shock on powerup.
- When wiring DC supplies the “positive” cable should be connected to the “+” terminal and the negative cable should be connected to the “-” terminal. On no account should the power supply terminals be connected to any other terminal on the unit. DC Power Supply units should be capable of providing 4 Amperes of current to the controller.

ENG

Figure 4.2: Recommended Power Input Wiring Diagram

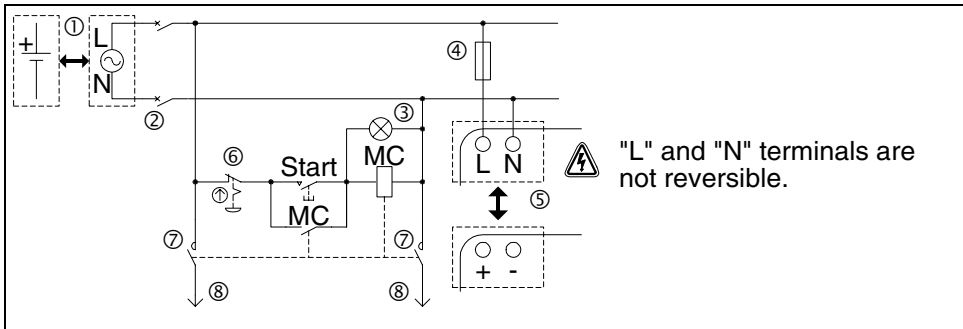


Table 4.2: Recommended Power Wiring

Ref.	Item Description
1	Power supply AL2-***-A: 100-240V AC, 50/60Hz AL2-***-D: 24V DC
2	Circuit isolation device
3	Power ON pilot indicator
4	Circuit protection device - Limit to 1.0A
5	α2 main unit
6	Emergency stop
7	Magnetic switch contact
8	Power supply for loads

4.4 AC Power Supply and Input Wiring

4.4.1 AC Power Supply and Input Wiring

Figure 4.3: AC Power Supply and Input Wiring Diagram

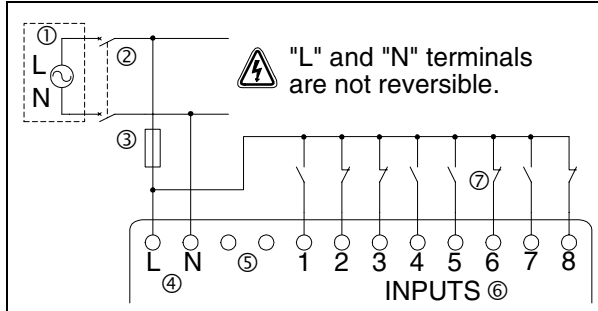


Table 4.3: AC Power Supply and Input Wiring

Ref.	Item Description
1	AC power supply, 100 - 240V AC~, 50/60Hz
2	Circuit isolation device
3	Circuit protection device - Limit to 1.0 Amp
4	AC power terminals
5	Unused terminals
6	Input terminals
7	Digital input switches

4.4.2 AL2-4EX-A2 Input Wiring

Figure 4.4: AL2-4EX-A2 Input Wiring Diagram

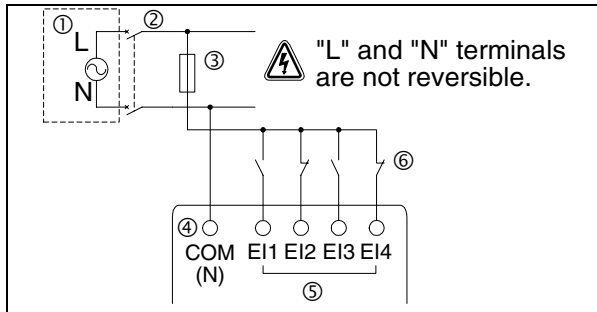


Table 4.4: AC Power Supply and Input Wiring

Ref.	Item Description
1	AC power supply, 220 - 240V AC~, 50 / 60Hz
2	Circuit isolation device
3	Circuit protection device - Limit to 1.0 Amps
4	COM (N) terminal
5	Input terminals
6	Digital input switches

4.5 DC Power Supply and Input Wiring

4.5.1 DC Power Supply and Source (“+” Common) Input Wiring Diagram

Figure 4.5: DC Power Supply and Source (“+” Common) Input Wiring Diagram

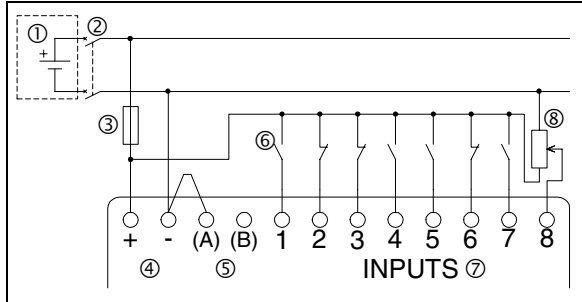


Table 4.5: DC Power Supply and Source (“+” Common) Input Wiring

Ref.	Item Description
1	DC power supply, 24V DC
2	Circuit isolation device
3	Circuit protection device - Limit to 1.0A
4	DC power terminals
5	Sink/Source input wiring terminals
6	Sensor input switches
7	Input terminals
8	Analog input

4.5.2 AL2-4EX Source (“+” Common) Input Wiring Diagram

Figure 4.6: AL2-4EX Source (“+” Common) Input Wiring Diagram

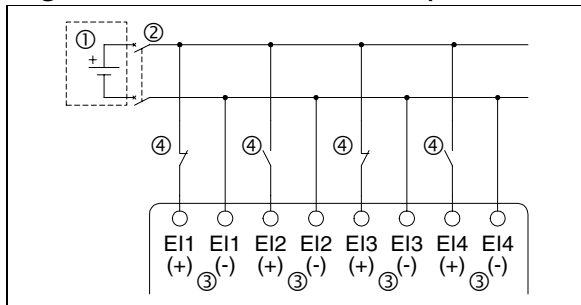


Table 4.6: DC Power Supply and Source (“+” Common) Input Wiring

Ref.	Item Description
1	DC power supply, 24V DC
2	Circuit isolation device
3	Input terminals
4	Sensor input switches



Note:

Each input terminal (E11 ~ E14) can be used as either Source input or Sink input.

4.5.3 DC Power Supply and Sink (“-” Common) Input Wiring Diagram

Figure 4.7: DC Power Supply and Sink (“-” Common) Input Wiring Diagram

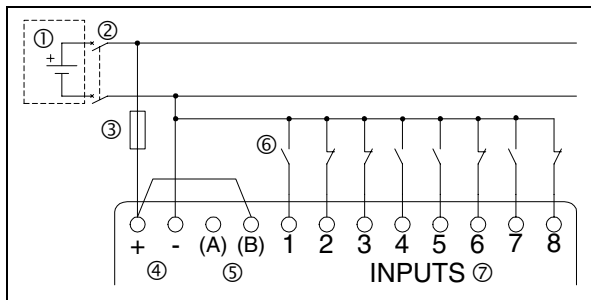


Table 4.7: DC Power Supply and Sink (“-” Common) Input Wiring

Ref.	Item Description
1	DC power supply, 24V DC
2	Circuit isolation device
3	Circuit protection device - Limit to 1.0 Amps
4	DC power terminals
5	Sink/Source input wiring terminals
6	Sensor input switches
7	Input terminals

4.5.4 AL2-4EX Sink (“-” Common) Input Wiring Diagram

Figure 4.8: AL2-4EX Sink (“-” Common) Input Wiring Diagram

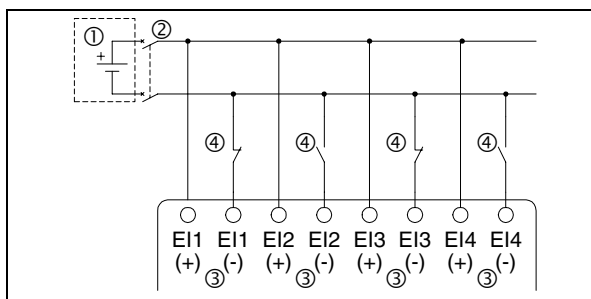


Table 4.8: DC Power Supply and Sink (“-” Common) Input Wiring

Ref.	Item Description
1	DC power supply, 24V DC
2	Circuit isolation device
3	Input terminals
4	Sensor input switches



Note:

Each input terminal (EI1 ~ EI4) can be used as either Source input or Sink input.

4.6 Output Relay and Transistor Wiring

4.6.1 Relay Output Wiring Diagram main unit (AC and/or DC)

Figure 4.9: Relay Output Wiring Diagram main unit (AC and/or DC)

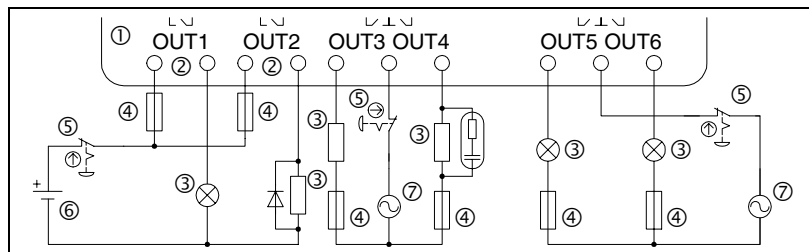


Table 4.9: Relay Output Wiring main unit (AC and/or DC)

Ref.	Item Description
1	α2 main unit
2	Mutually exclusive outputs
3	Output devices
4	Circuit protection device (See Table 4.10)
5	Emergency stop
6	DC power supply
7	AC power supply

Table 4.10: Relay Output Circuit Protection Table

Model	Number of Output	Max. Resistive Load	Circuit Protection (Fuse)
AL2-14MR-*	O01~O06	8A/common	≤ 10A / Circuit
AL2-24MR-*	O01~O04		≤ 10A / Circuit
	O05~O09	2A/point (4A/common)	≤ 3A / Circuit

ENG

4.6.2 Relay Output Wiring Diagram AL2-4EYR (AC and/or DC)

Figure 4.10: Relay Output Wiring Diagram AL2-4EYR (AC and/or DC)

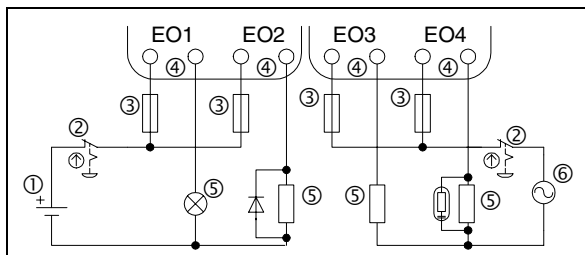


Table 4.11: Relay Output Wiring AL2-4EYR (AC and/or DC)

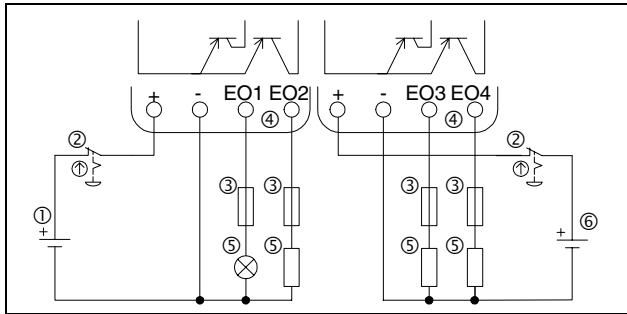
Ref.	Item Description
1	DC power supply
2	Emergency stop
3	Circuit protection device (Fuse: ≤ 3A)
4	Mutually exclusive outputs
5	Output devices
6	AC power supply

Table 4.12: Relay Output Circuit Protection Table

Model	Number of Output	Max. Resistive Load	Circuit Protection (Fuse)
AL2-4EYR	EO1~EO4	2A/common	≤ 3A / Circuit

4.6.3 Transistor Output (Source or “+” Common Only) Wiring Diagram AL2-4EYT

Figure 4.11: Transistor Output (Source/ “+” Common Only) Wiring Diagram AL2-4EYT



ENG

Table 4.13: Transistor Output Wiring

Ref.	Item Description
1	DC Power Supply: 24V DC
2	Emergency Stop
3	Circuit Protection Device - See Table 4.14 for Specifications
4	Power Supply Terminal
5	Output Devices
6	DC Power Supply: 12V DC

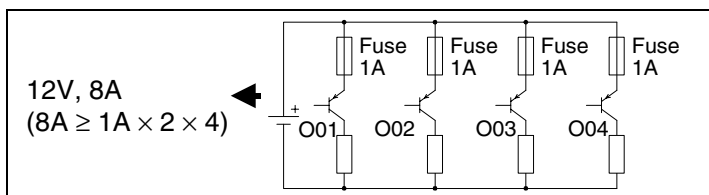
Table 4.14: Transistor Output Circuit Protection Table

Circuit Voltage	Circuit Protection (Fuse)
5V DC	≤ 0.3A/Circuit
12V DC	≤ 2.0A/Circuit *1
24V DC	≤ 2.0A/Circuit *1



*1 Power Source capacity ≥ Fuse size × 2

Figure 4.12: Example Fuse Size Calculation



Note;

Table 4.15: Output Terminal Notes

Volt	Output Terminal Notes
5	Each circuit can contain from one output terminal up to every output terminal.
12-24	Each circuit can contain from one output terminal up to every output terminal.
5,12,24	Using any combination of 5 Volt, 12 Volt, and 24 Volt outputs can be accomplished on the same α2 Series Controller if separate circuits are used for each voltage level.

MEMO

5. Terminal Layout

Figure 5.1: AL2-14MR-A, AC Input, Relay Output

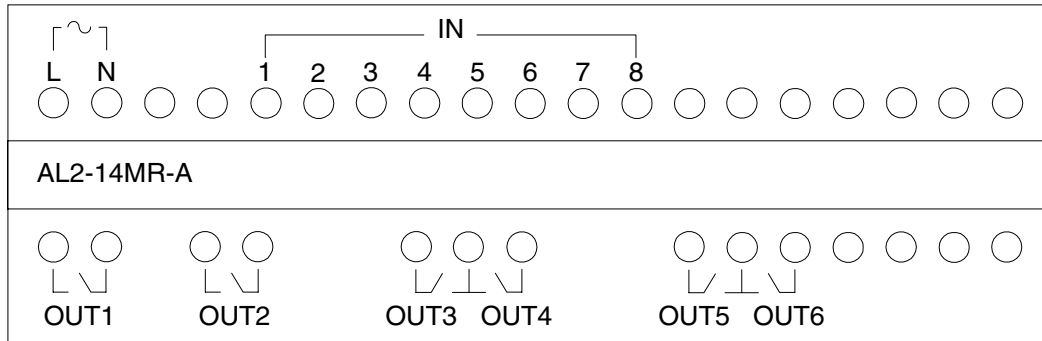


Figure 5.2: AL2-14MR-D, DC Input, Relay Output

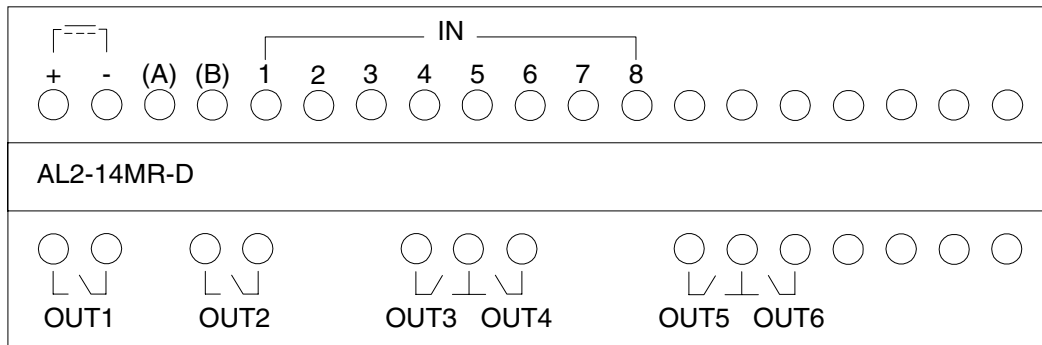


Figure 5.3: AL2-24MR-A, AC Input, Relay Output

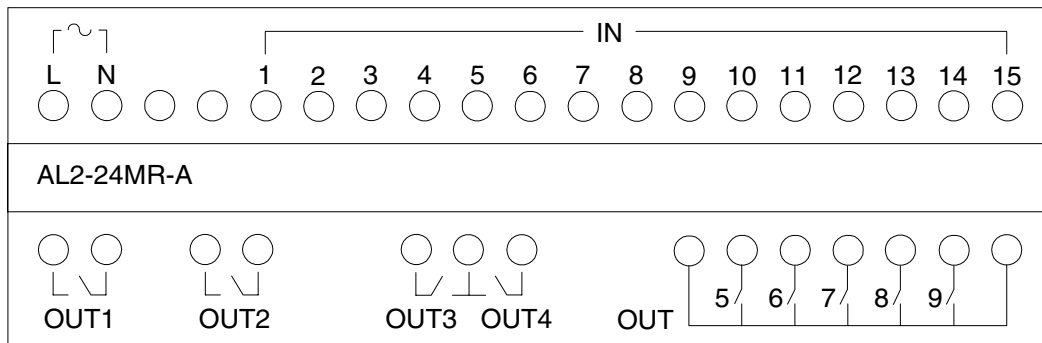
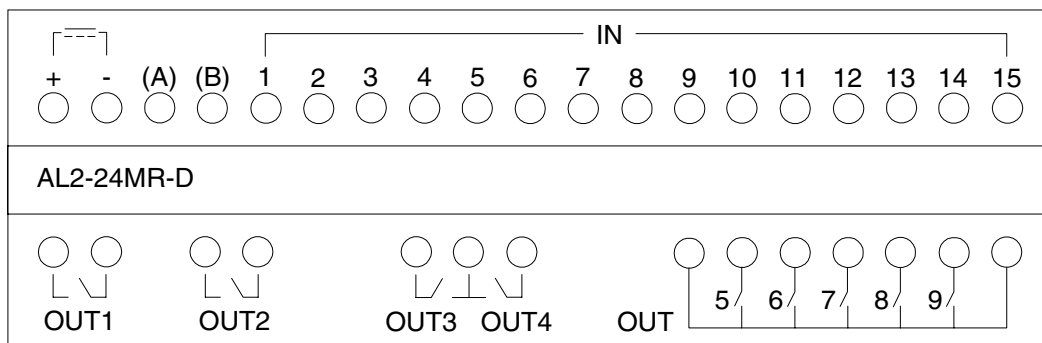


Figure 5.4: AL2-24MR-D, DC Input, Relay Output



ENG

Figure 5.5: AL2-4EX-A2, 220 - 240V AC Input

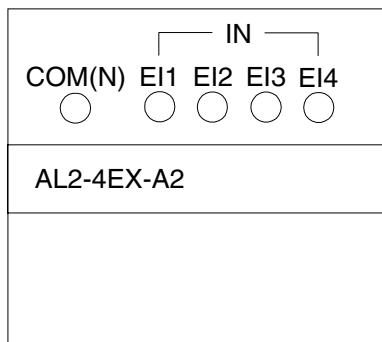


Figure 5.6: AL2-4EX, DC Input

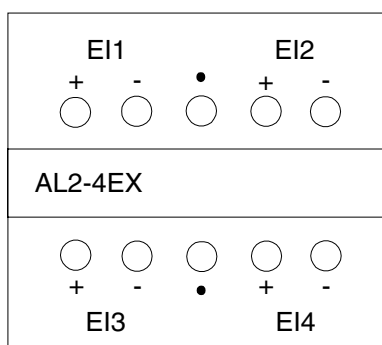


Figure 5.7: AL2-4EYR, Relay Output

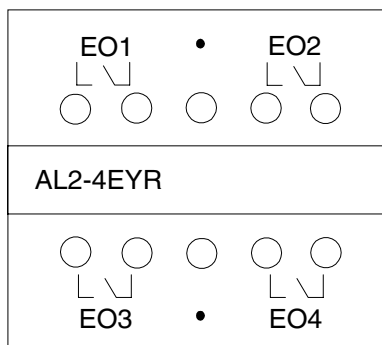
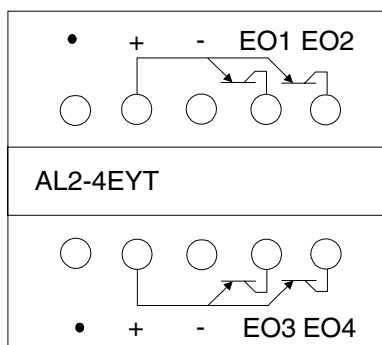


Figure 5.8: AL2-4EYT, Transistor Output



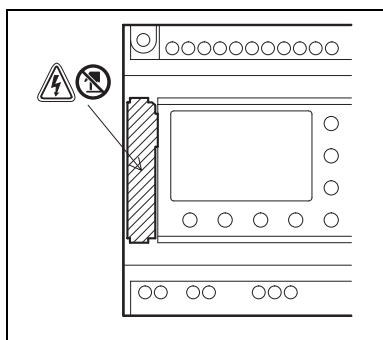
6. AL2-EEPROM-2

The AL2-EEPROM-2 memory cassette is for use only with the α2 series controller (Model: AL2-**M*-*).



Caution

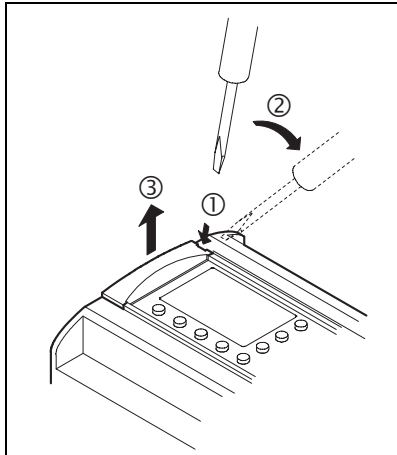
- Persons trained in the local and national electrical standards must replace the memory cassette.
- Turn off the power supply when installing or removing the memory cassette.
- Replace the cover after removing the memory cassette.
- When installing the connector cover or the memory cassette of α2 series, be careful not to pinch your finger.
- DO NOT touch the following part when removing the cover or memory cassette.



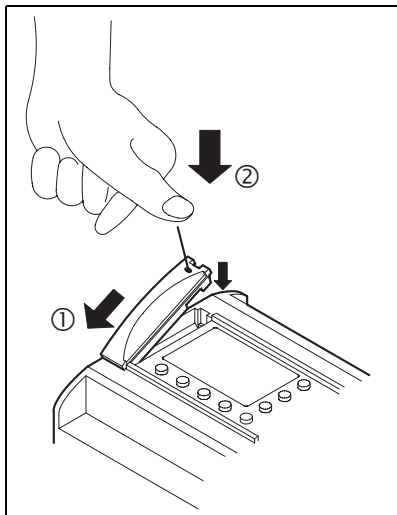
ENG

6.1 Installation

1) Remove the cover or the memory cassette



2) Install on the cover or the memory cassette



7. AL-232CAB

7.1 Introduction

The AL-232CAB is an RS-232C cable used to connect an α series controller (α, α2) and a personal computer that is running the programming software (AL-PCS/WIN-E).

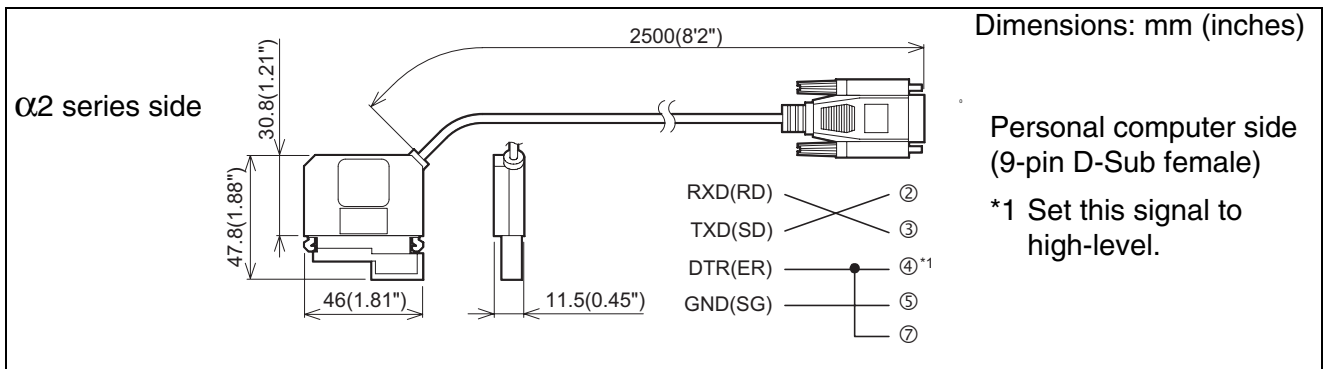


Note:

- AL-232CAB cable cannot be used for any other applications.
- AL-232CAB cable rises about 40mm (1.57") above the top panel when connecting to an α2 series controller.

ENG

7.1.1 External Dimensions



7.2 Connected to AL-232CAB cable



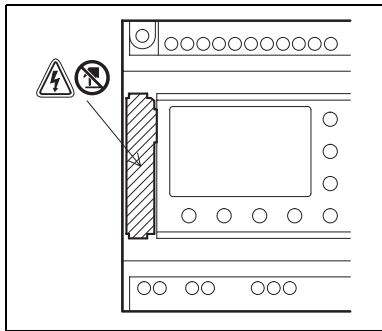
Remove cover and memory cassette

- Be careful of personal safety when removing the α2 cover.

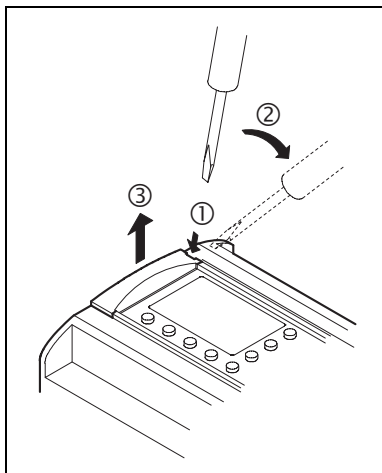


Caution

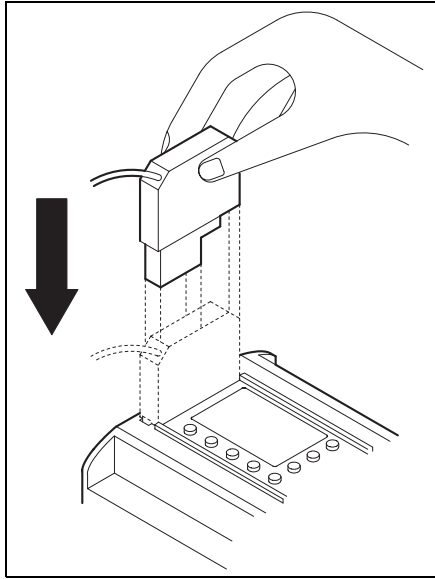
- Turn off the power supply when you install or detach the AL-232CAB cable.
- Install the cover or the memory cassette after removing the AL-232CAB cable.
- When installing the connector cover or the memory cassette of α2 series, be careful not to pinch your finger.
- Please hold the protective case when detaching the cable. DO NOT pull on the cord.
- DO NOT touch the following part when removing the cover, memory cassette or this cable.



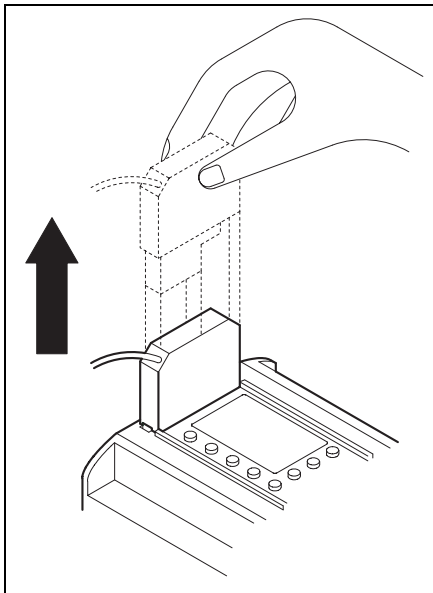
1) Removing the cover or the memory cassette



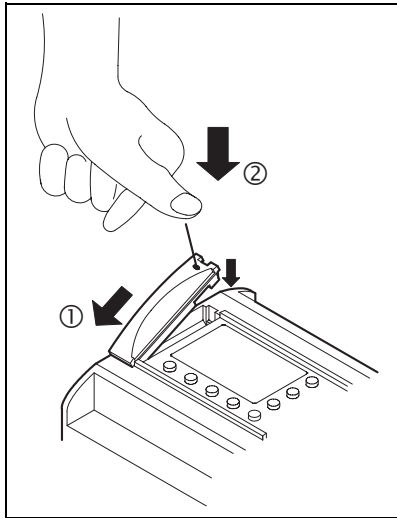
2) Connecting the AL-232CAB cable



3) Removing the AL-232CAB cable



4) Installing on the cover or the memory cassette



MEMO

ENG

8. AL2-GSM-CAB

8.1 Introduction

The AL2-GSM-CAB can be used to connect α2 Series Controllers to a normal or GSM modem. The AL2-GSM-CAB can transfer Short Message Service (SMS) data to a GSM modem for transmission to mobile phones and mail addresses or can facilitate remote monitoring functions and program transfers via normal modems. RS-232C communication to a personal computer can also be accomplished if an adaptor or cable is used.

Further information can be found in the α2 Programming Manual and α Software Manual.



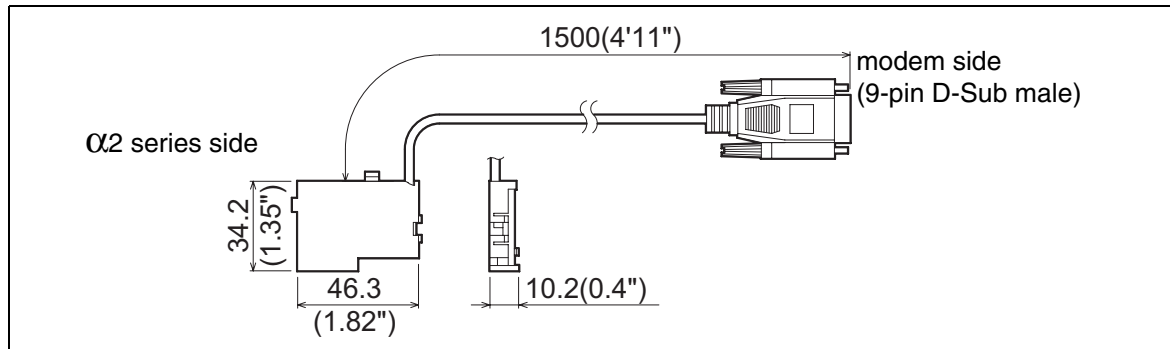
Note:

- This cable cannot be used for any other applications.
- This cable does not attach to the α Series Controller (Model: AL-**M*-*).
- Simultaneous communication through both ports of the α2 Series Controllers may result in a damaged program or a malfunction in the controller.

8.1.1 External Dimensions

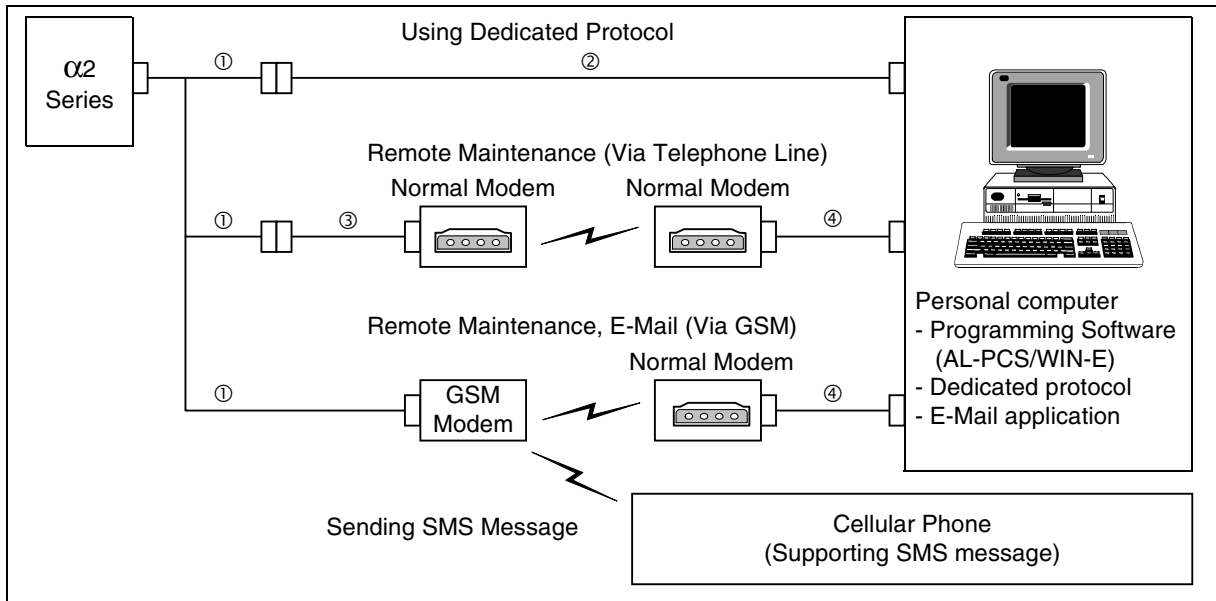
Figure 8.1: External Dimensions

Dimensions: mm (inches)



8.1.2 System Configuration with using AL2-GSM-CAB

Figure 8.2: System Configuration with AL2-GSM-CAB

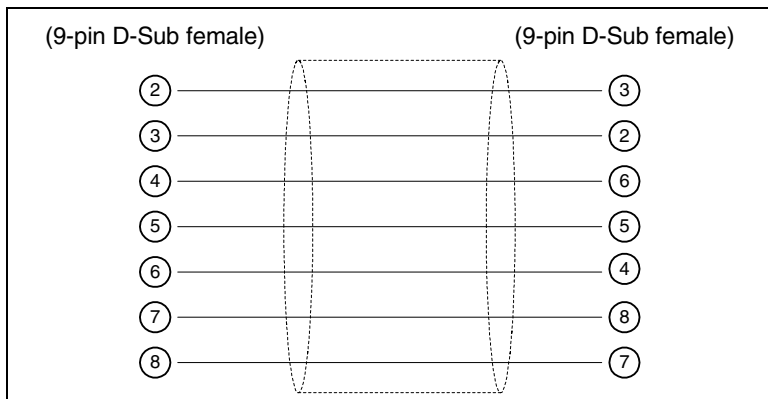


ENG

Table 8.1: System Configuration with AL2-GSM-CAB

Item	Using Cable
1	AL2-GSM-CAB
2	RS-232C cross cable (See Figure 8.3)
3	RS-232C straight cable for the modem (See Figure 8.5)
4	RS-232C straight cable for the modem (specified by modem manufacturer)

Figure 8.3: RS-232C Cross Cable Reference



Note:

The 4 and 7 signals must be set to high-level on the personal computer side. If these signals are not set, it will not communicate to α2 series.

8.2 Installation

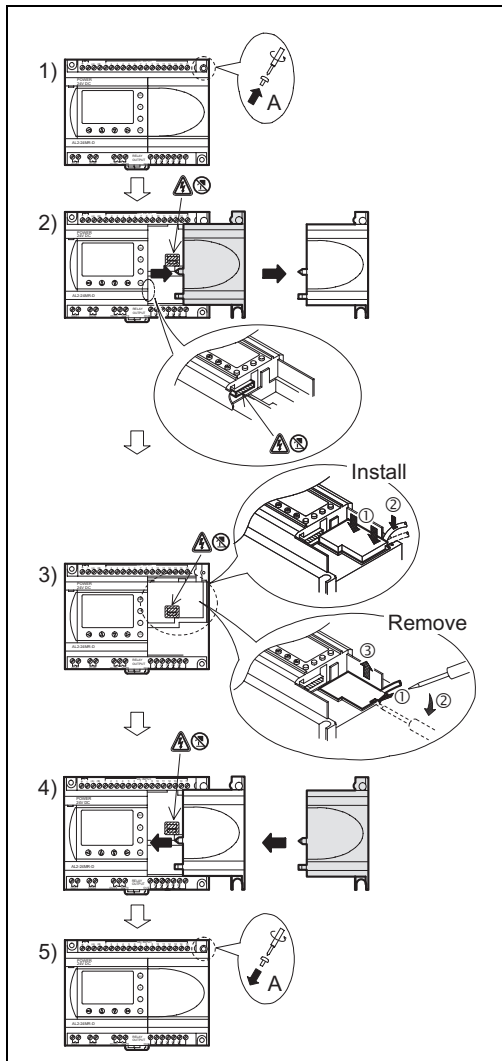
When installing AL2-GSM-CAB refer to Figure 8.4.



Caution

- Persons trained in the local and national electrical standards must install or remove the AL2-GSM-CAB.
- Turn off the power supply when installing or removing the AL2-GSM-CAB.
- Put the cover back on after either installing or removing the AL2-GSM-CAB.
- Under no circumstances will Mitsubishi Electric be liable or responsible for any consequential damage that may arise as a result of the installation or use of this equipment.
- Do not pull on the cord, otherwise the cable may be damaged.
- When communicating to α2 series via GSM modem, the power supply for both units must be turned ON at the same time. If they are not started up at same time, the α2 series will not communicate via GSM modem.
- Disconnect all terminals from the power supply before removing the cover.

Figure 8.4: Installation



- 1) Release screw 'A' and keep.
- 2) Carefully remove the factory fitted α2 expansion port cover or special module cover.
- 3) Install the AL2-GSM-CAB into the cavity, carefully placing the cable in the channel located on the input terminal side.
- 4) Attach the α2 cover or expansion module taking care that there is no interference with the AL2-GSM-CAB.
- 5) Tighten screw 'A' to a torque of 0.4 Nm.

ENG

8.3 Remote Maintenance with a Modem

Further information of the modem setup procedures can be found in the α2 Programming Manual. The programming software (AL-PCS/WIN-E) provides the easiest method to setup the modem.

8.3.1 Recommended Modems

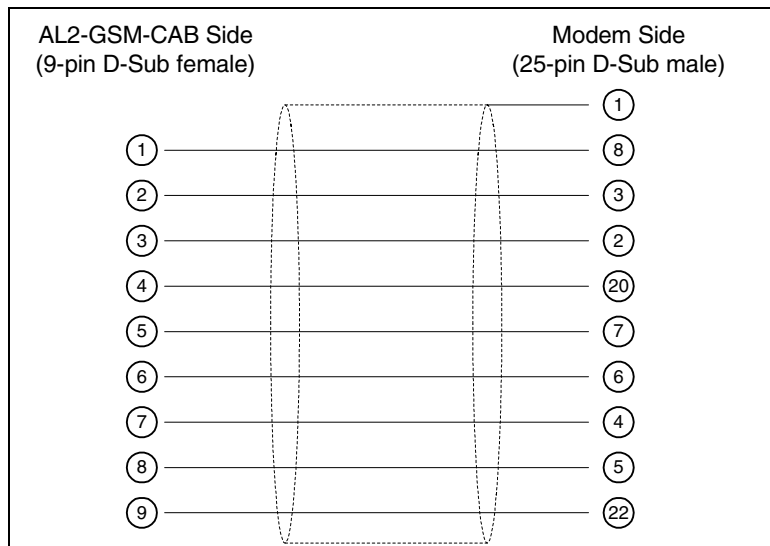
The following modems have been successfully tested.

Table 8.2: Tested Modems

Maker name	Model name	Modem command (AT command)
3com	SP560V-P	ATE0Q1&B1&D0H0&I0&R1&S0S0=2S15=8&W
OMRON	ME3314	ATE0S0=2Q1&D0S15=8&R1&H0&W
AIWA	PV-AF3360	ATE0S0=2Q1&D0&M5\Q0\J0&W
Siemens	M20T	ATE0S0=2&S0;+IFC=0,0;+CMEE=1;+IPR=9600&W

8.3.2 RS-232C Straight Cable Between Modem and AL2-GSM-CAB

Figure 8.5: RS-232C Straight Cable Reference Between a Modem and AL2-GSM-CAB



8.3.3 Modem Setting

1) Setting of personal computer side

Install the file for the setting of the attachment in the modem.

2) Setting of α2 series side

The modem on the α2 series side is set by the ModemInit command of the main unit.

a) About the modem command (AT command)

Use the AT command to initialize the modem. Confirm details of the AT command in the manual of the modem to be used. AT commands have been prepared for select modems in the table 8.4 (normal modem) and 8.5 (GSM modem) below.

Table 8.3: Tested Modems

Maker name	Model name	Modem command (AT command)
3com	SP560V-P	ATE0Q1&B1&D0H0&I0&R1&S0S0=2S15=8&W
OMRON	ME3314	ATE0S0=2Q1&D0S15=8&R1&H0&W
AIWA	PV-AF3360	ATE0S0=2Q1&D0&M5\Q0\J0&W
Siemens	M20T	ATE0S0=2&S0;+IFC=0,0;+CMEE=1;+IPR=9600&W

Further information on the method to initialize a modem can be found in the α2 Programming Manual.

When modems not listed in the table above are used, set the AT command to meet the following requirements.

Table 8.4: AT Command for Modem (Normal Modem)

Setting Item	Set content	Example Setting		
		SP560V-P	ME3314	PV-AF3360
Setting of command echo	None	E0	E0	E0
Call frequency of auto-answering	Twice	S0=2	S0=2	S0=2
Displayed result code	None	Q1	Q1	Q1
DTR control	Always on	&D0	&D0	&D0
DSR control	Always on	&S0		
Communicate mode	V.42bis mode	S15=8	S15=8	&M5
Speed of terminal fixed dimension	Fixed	&B1	\J0	
Terminal flow control scheme	None	-&R1	\Q0	
Flow control of transmission data	None	&H0	&H0	-
Flow control of received data (software)	None	&I0		
Flow control of received data (RTS control)	None	&R1		
Writing in nonvolatile memory	Write in the nonvolatile memory.	&W	&W	&W

ENG

Table 8.5: AT Command for GSM Modem

Setting Item	Set content	Example Setting
		M20T
Enable command echo	Echo mode OFF	E0
Set number of ring before automatically answering the call	Enable automatic answering on the ring twice	S0=2
Set circuit data set ready (DSR) function mode	DSR always ON	&S0
Set TE-TA local data flow control	<ul style="list-style-type: none"> Specifies the method which will be used by TE when data is received from TA: None Specifies the method which will be used by TA when data is received from TE: None 	+IFC=0,0
Report mobile equipment error	Enable result code and use numeric value	+CMEE=1
Set fixed local rate	Baud Rate: 9600 bps	+IPR=9600
Set circuit data carrier detect (DCD) function mode*1	DCD line is ON only in the presence of Data Carrier	&C1
Select bearer service type*1	9600 bps (V.32), asynchronous modem, non-transparent	+CBST=7,0,1
Store current parameter to use defined profile	The user profile is stored in non-volatile memory	&W

*1 In Siemens M20T case, these settings are not necessary because they are default settings. If using other GSM Modem, maybe these settings are necessary.

b) Timing to initialize the modem during system startup

In the α2 series, there is a function to delay the transmission of the modem command (AT command) to initialize the modem from the main unit at start up. The delay can range from 0 - 10 seconds. This command can be useful to ensure the AT command is correctly transmitted when the α2 series start up is faster than the modem start up.

Further information for the modem operation can be found in the α2 Programming Manual and the α Software Manual.

MEMO

ENG

9. AL2-ASI-BD

The AL2-ASI-BD Actuator Sensor Interface board module is used in conjunction with α2 series controller for data communication over an Actuator Sensor Interface (AS-interface) network.

Further information can be found in the α2 Series Programming Manuals.



Caution

- Persons trained in the local and national electrical standards must replace the AL2-ASI-BD.
- Turn off the power supply when you install or remove the AL2-ASI-BD.
- Replace the cover after removing the AL2-ASI-BD.
- Under no circumstances will Mitsubishi Electric be liable or responsible for any consequential damage that may arise as a result of the installation or use of this equipment.

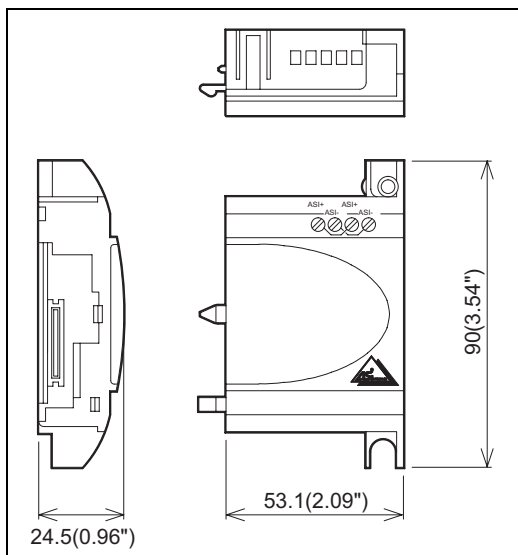
9.1 Introduction

The AL2-ASI-BD connects onto the main unit of the α2 series controller, forming a slave station for an AS-interface network (Input 4 points, Output 4 points). A maximum of 31 slaves can be connected to form an AS-interface network. Power for the communication is supplied over the AS-interface bus by the AS-interface power supply. The communication signal is superimposed over the power supply on the AS-interface bus.

9.1.1 External Dimensions

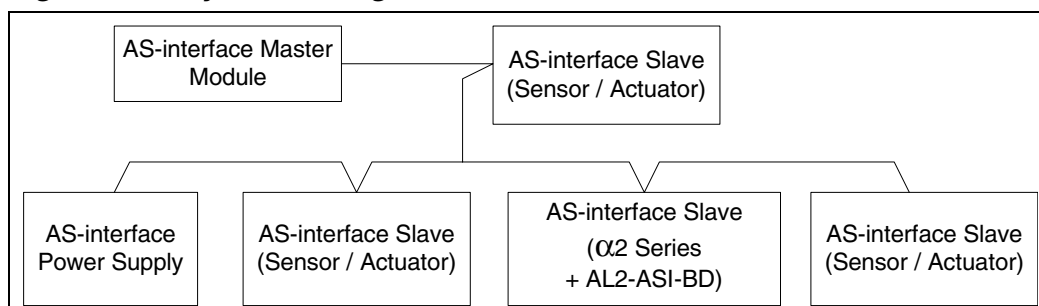
Figure 9.1: External Dimensions

Unit: mm (inches)



9.1.2 System Configuration

Figure 9.2: System Configuration



ENG

9.2 Specifications

For general specifications please refer to the Chapter 2.

Table 9.1: Hardware Communication Specifications

Item	Content
Number of I/O	4 Input (E01-E04) 4 Output (A01-A04)
I/O Refresh Time	Max. 5ms
Network Distance	Max. 100m
External Power Voltage	Typ. 30.5V DC (AS-interface Power supply)
External Power Current Consumption	40 mA or less
EC Directive	EMC
Complies with	AS-interface Certification

Table 9.2: Software Communication Specifications

Item	Content
Station Number	Set by Master Station (Factory default 0)
IO Code	7
ID Code	F
Data Bit	D0 - D3 Input/Output 01 - 04 (E01 - E04, A01 - A04)
Parameter Bit	P0 Communication monitor (set by default). ^{*1}
	P1,P2,P3 Unused
System Bit	M6 "ON" when communication Error of AS-interface occurs
	M7 "ON" when communication Error by AS-interface power fail occurs
Control Bit	N1 ON: Connect to AS-interface network OFF: Unconnected to AS-interface network

*1 Function to reset input signal (E01 - E04) when AS-interface communication is cut for 70 ms or more.

9.3 Wiring & Installation

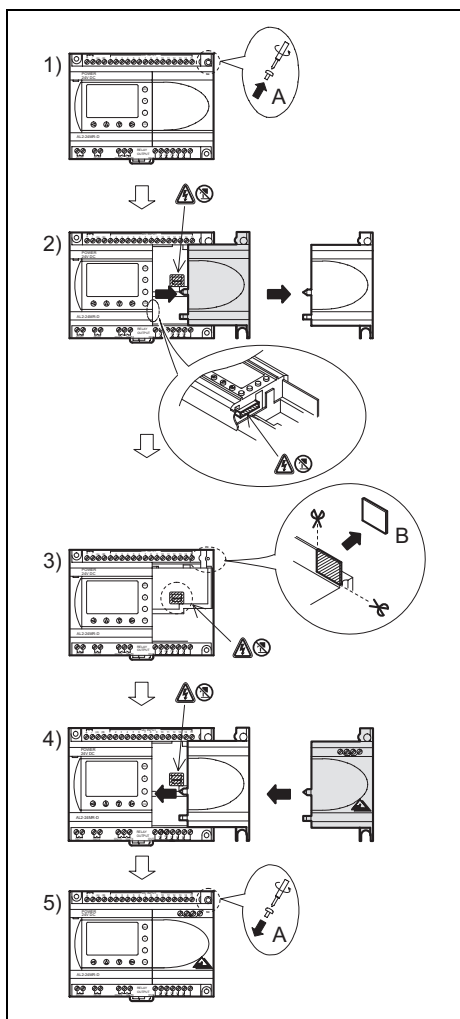
9.3.1 Installation



Caution

Disconnect all terminals from the power supply before removing the cover.

Figure 9.3: Installation



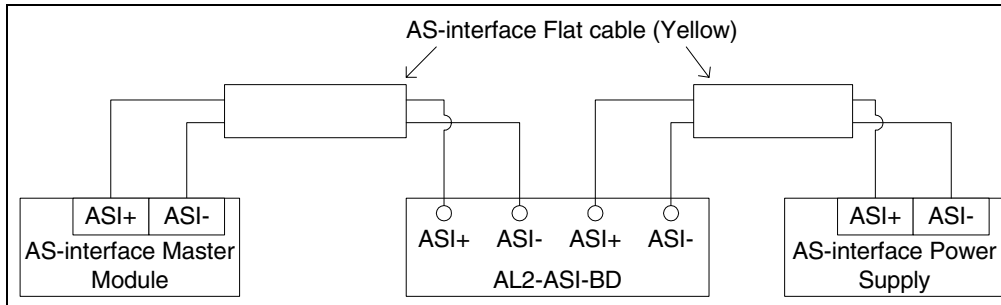
- 1) Release screw 'A' and keep.
- 2) Carefully remove the factory fitted expansion port cover.
- 3) Cut away section 'B' from the α2 series controller main unit.
- 4) Attach the expansion module to the main unit.
- 5) Tighten screw 'A' to a torque of 0.4 Nm.

9.3.2 Wiring



Use the AS-interface flat cable (yellow) for connecting the AL2-ASI-BD to the network. When connecting AS-interface cable to the module, tighten communication connector pin

Figure 9.4: Wiring



ENG

9.4 Slave Address Setting & Diagnostics

9.4.1 Setting Slave Address

The address of AL2-ASI-BD must be set from the AS-interface master module. The setting range of the slave address is 1 to 31. New modules are preset to 0 before shipping, if a module has been previously assigned an address other than 0, it must be reset to 0 before it need to add into new AS-interface network.

Refer to the AS-interface master module's manual for details of how to set station address from the AS-interface master.

Many modules can be added to a network at one time, all but one of them should be set in their passive state (set N1=1). Once the network has been powered up the modules can be individually activated (set N1=0), where the Master station will assign a slave address.

9.4.2 Applicable Error checks

- 1) If a Communication error (M6) occurs;
 - Check connections to the AS-interface master, and that the slave station number is correct.
- 2) If a Communications power supply error (M7) occurs;
 - Check the connection of the AS-interface Bus cable at each affected unit, also the AS-interface power supply and its operation.

10. Key, System Bit and Function Block Lists

10.1 Key Lists

The following table is the keys to use operation in the Menu and user program. Further information can be found in α2 Programming Manual.

Table 10.1: Operation Key Lists

Key Name	Key Number	Description
OK	K01	Acceptance of data entry, menu options, program choices
ESC	K02	Cancel current operation, move to higher screen or menu
+	K03	Connect function blocks, move to higher numbered blocks, increment values
-	K04	Disconnect function blocks, move to lower numbered blocks, decrement values
▲	K05	Scroll to higher number numbered items (keys, FB, Inputs, Outputs, etc.)
▼	K06	Scroll to lower numbered items (keys, FB, Inputs, Outputs, etc.)
▶	K07	Move to the right on the LCD display, FB program or Jump command
◀	K08	Move to the left on the LCD display, FB program or Jump command

10.2 System Bit Lists

There is the system bit controlled by system and the control bit to control from user program.

10.2.1 System Bit Lists

Table 10.2: System Bit Lists

System Bit	Description
M01	Always "ON"
M02	Always "OFF"
M03	Alternate - 0.5 seconds "ON", 0.5 seconds "OFF"
M04	"ON" when Real Time Clock data error occurs
M05	"ON" when Summer time schedule is activated
M06	"ON" when communication Error of AS-interface occurs
M07	"ON" when communication Error by AS-interface power failure occurs
M08	ON when turn Stop mode turns to Run mode in the α2 Series. The ON signal acts as a pulse output and then turns OFF.
M09	OFF when turn Stop mode turns to Run mode in the α2 Series. The OFF signal acts as a pulse output and then turns ON.
M10	Reserved
M11	Reserved
M12	"ON" when CD (DCD) signal is turned ON (receiving CD signal from modem)
M13	"ON" when it is possible to access the GSM network.
M14	"ON" when the α2 series is accessed via GSM.

ENG

10.2.2 Control Bit Lists

Table 10.3: Control Bits

Control Bit	Description
N01	ON: Disconnected to AS-interface network OFF: Connect to AS-interface network
N02*1	ON: The back light is "OFF" in LCD. OFF: The back light is controlled by the "Light Time" setting in Menu.
N03*1	ON: The back light is "ON" in LCD. OFF: The back light is controlled by the "Light Time" setting in Menu.
N04	ON: The user screen is controlled by the setting of "Display Manager" with AL-PCS/WIN-E. OFF: The user screen is controlled by user program.

*1 When both N02 and N03 are ON and hence the back light is "ON" because N03 is given the priority.

10.3 Function Block Lists

Further information for function blocks can be found in the Q2 Series Programming Manual.

Table 10.4: Function Block Lists

Function Block		Memory Consumption (Byte)	Description
Name	Symbol		
AND	AND	19	Output ON when all Inputs are ON, Unused inputs considered ON
OR	OR	19	Output ON when at least one input ON, Unused inputs considered OFF
NOT	NOT	10	Inverts a signal; changes an OFF to an ON and vice versa
XOR	XOR	13	Exclusive OR; Output ON when only One of Two Inputs is ON
NAND	NAND	19	Not AND; Output OFF only when all Inputs ON, Unused inputs considered ON
NOR	NOR	19	Not OR; Output OFF when at least one Input is ON, Unused inputs considered OFF
Boolean	BL	*1	Logic equation using AND, OR, XOR, NOT
Set/Reset	SR	14	Latch a relay in SET or RESET position, give Set or Reset priority
Pulse	PL	10	Send a Pulse on the Rising, Falling, or both Edges
Alternate	AL	13	Output alternates turning ON or OFF with each input pulse
Delay	DL	19	Delay a signal on the Rising, Falling, or both Edges
One Shot	OS	17	Send a single pulse; Time or Input signal based, Reset pin available
Flicker	FL	19	Send a pulse train; ON/OFF times, repetitions, duration, or continuous operation
Time Switch	TS	*2	Use the RTC to turn output ON/OFF; Calendar or weekly schedule
Time Switch Maintenance	TSm	*2	Use the RTC to turn output ON/OFF; Calendar or weekly schedule The schedule can be changed with "Setup TS" in the Top menu.
Counter	CN	16	Count upwards on pulses, can reset at a signal
Up/Down Counter	UD	22	Count upward or downward, Set a Preset Value for the Output to come ON
Compare	CP	17	Compare two values for <, >, =, <=, >=, <> (Analog, Direct Set, or FB values)
Offset Gain	OG	22	Manipulate Analog Values; $y = A/B * x + C$; Set High and Low Limit Values
Display	DP	*3	Display User Screen (messages or data) on the LCD display
Zone Compare	ZC	20	Compare a value to a range of values (Analog, Direct Set, or FB values)
Schmitt trigger	ST	19	Turn an Input ON at the High Value and OFF at the Low Value (or vice versa)
Hour Meter	HM	19	Records the accumulated time a signal has been ON

Table 10.4: Function Block Lists

Function Block		Memory Consumption (Byte)	Description
Name	Symbol		
Speed Detect	SPD	25	The signal input frequency (On/Off) is measured for a set length of time. The frequency is compared to a value range and the Output is turned ON/OFF according to the result.
Pulse Width Modulation	PWM	16	A continuous pulse train is output when this function block is driven. The characteristics of the pulse are defined as; Pulse duty (Direct set, Analog, FB values), cycle time.
Retentive Alternate	RAL	13	Output alternates turning ON or OFF with each input pulse. The last output status is kept when the power supply is cycled OFF and ON. However, last output status is lost when the α2 series is placed in the Stop mode.
Addition	ADD	20	$y = A + B$
Subtraction	SUB	20	$y = A - B$
Multiplication	MUL	20	$y = A \times B$
Division	DIV	20	$A \div B = q, r$ (quotient and remainder)
Calculation	CAL	*4	Equation using +, -, ×, ÷, % and the selected data.
Shift	SFT	19	Shift operation; When "SFT" signal is input, last "1" signal status is output. When using 8 bit shift operation, "Shift" function block should be continued 8 times.
GSM SMS	SMS	*5	The contents of an LCD screen is sent as an SMS message.
Random One Shot	ROS	19	The random length single pulse is output.
Delayed One Shot	DOS	20	After a delay time, send a single pulse
Delayed Alternate	DAL	16	After a delay time, output alternates turning ON or OFF with each input pulse
Retentive Set/Reset	RSR	14	Latch a relay in SET or RESET position, give Set or Reset priority. The last output status is kept when the power supply is cycled OFF and ON. However, last output status is lost when the α2 series is placed in the Stop mode.
Control Display	CDP	*6	Control which Display screen appears on the LCD. This function block can only be set in the AL-PCS/ WIN-E software. When control bit N04 is ON, it possible to control the displayed User Screen.
Connect	_B	10	This CONNECT function block is an internal FB used to show the memory used by the system bits, the bits for AS-interface, and the operation keys. No function block appears on screen or shows as being used in the "Memory Configuration Usage" dialog box, the purpose is only to calculate the memory that is used by the bits listed above.

ENG

Table 10.4: Function Block Lists

Function Block		Memory Consumption (Byte)	Description
Name	Symbol		
System Outputs	Out	10	Control external device through relays and transistors.

*1 Number of bytes used = $19 + 1 \times$ (Characters in equation)

*2 Number of bytes used = $8 + 4 \times$ (Number of time switches)

*3 Number of bytes used is decided by the displayed item.

Table 10.5: Displayed Item and number of bytes used

Displayed Item		Number of bytes, α2 Series
Characters		$16 + 1 \times$ (Each character displayed)
Analog, FB value	Value	17
	Graph	23
Time, Date		14
Time Switch		17

*4 Number of bytes used = $30 + 1 \times$ (Characters in equation)

*5 Number of bytes used = $12 + 1 \times$ (Characters in E-Mail address)

*6 Number of bytes used = $32 + 3 \times$ (Number of screen)

MEMO

ENG

11. Diagnostics



Caution

- Do not touch the terminal while energized. This might cause an equipment malfunction or an electric shock.



Caution

- Supply correctly rated power.
When a power supply different from the ratings is supplied, this product might be damaged or cause a fire.
- Connect “L (Live)” of the power supply to “L terminal” in the main unit, and connect “N (Neutral)” to “N terminal” in the main unit correctly when wiring the AC power supply. Faulty wiring will cause an electrical shock, damage to the controller, or a fire.
- Connect the “L (Live)” wire of the power supply to the input terminal of the AC unit.
- Connect the “+” of the power supply connect to the “+ terminal” in the main unit, and connect the “-” of the power supply to the “- terminal” when wiring the DC unit. Faulty wiring will cause an electrical shock, damage to the controller, or a fire.



Notes on use

- The α2 Series controller must be used with either the memory cassette, communication cable, or connector cover installed. Otherwise, the exposed socket can cause damage to the controller or an electric shock to the operator.
- Use the expansion module or the connector cover while power is supplied to the α2 series controller.
Improper equipment installation can cause damage to the controller or an electric shock.

11.1 Input Status Error

Place the α2 controller in the Stop mode. Cycle the power to the equipment connected to the input terminals and check if the input status is displayed correctly. If it is not correctly displayed, check the points below.

Further information about the status display can be found in the α2 Programming Manual.



Notes on use

Do not connect a wire with a soldered end to an α2 series terminal due to poor contact and the possibility of the wire shearing.

- 1) Check the wiring for the power supply and the inputs.
- 2) Check if the equipment used for the inputs corresponds to the specification in section 2.3 in this manual.

11.2 Output Status Error

Place the α2 controller in the Stop mode. Force the outputs ON/OFF and check the operation of the outputs. Check that the program is written to perform per the desired results.

Further information can be found about the force ON/OFF operation in the α2 Programming Manual.



Notes on use

Perform the forced ON/OFF operations only after thoroughly checking that it is safe to do so. Damage to the machine or controller or a safety issue could arise if the forced ON/OFF is performed inappropriately.

If proper precautions are not taken, damage to the equipment or machine failure may occur.

- 1) Check the wiring for the power supply and the outputs.
- 2) Check if the equipment used for the outputs corresponds to the specification in section 4.4 in this manual.

ENG

11.3 TOP MENU is not Displayed

The menu key should be operated to access the Top Menu. Push the keys “OK” and “ESC” at the same time. If the menu call key is not set, use either the programming software to the Stop mode or do the forced stop operation.

The Top Menu cannot be accessed from the keys. However, by cycling the power supply and pressing the “OK + ESC” keys simultaneously during the power up, the Top Menu will appear.



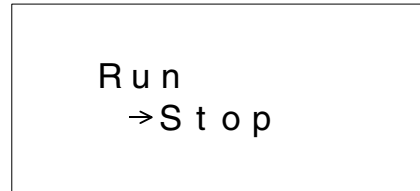
Caution

Perform the forced stop operation only after thoroughly checking that it is safe to do so. Damage to the machine or controller or a safety issue could arise if the forced ON/OFF is performed inappropriately. If proper precautions are not taken, damage to the equipment or machine failure may occur.

Forced Stop Operation

- 1) Turn the α2 series power supply off.
- 2) Turn the power ON again while pushing the “OK” and “ESC” keys simultaneously.
The screen at right is displayed.

The option to place the controller in Stop mode will be available for approximately five seconds. Press the “OK” key to enter the Stop Mode. If no key is pressed, the controller will default back into the Run mode.



- 3) Push “ESC” key.
The “Top Menu” shown at right is displayed.



11.4 Cannot enter Run Mode.

When the α2 series will not switch to Run mode, check the following.

- 1) The message “Input Error” or “Output Error” is displayed on the screen.
The program included in the memory cassette has more points of input and/or output than is allowed in the controller body.
 - a) When making the program with the programming software.
The content of the program and the model are checked with the programming software. Write the program to the α2 series controller and do not use a memory cassette.
 - b) When making the program with the α2 series front panel keys.
Remove the memory cassette, and make the program again.
 - c) Install the memory cassette in the α2 series of 24 point type.
 - d) Write the program in an α2 series of the same type in which the program will be used.
- 2) The program data has an error.
When the program cannot be displayed with “ProgEdit” in “TopMenu”, it is possible that the program data was damaged. Switch from “TopMenu” to the Run mode after deleting the program.
 - a) The program again and switch to Run mode.
 - b) Consult a Mitsubishi Distributor when unable to switch to the RUN mode.

ENG

11.5 Incorrect Clock Data

Confirm the following item.

- 1) The time data is lost.
When approximately 20 days or more (25°C.) have passed since power was supplied to the α2 series, the time data is lost. In this case, the time data should be set.
Further information about setting the time data can be found in the α2 Programming Manual.
- 2) There are keep advancement by the time data and keep a delay.
The accuracy of the time data is ±5 seconds a day. Use the time correction function when the time data error increases.
Further information about setting the time correction function can be found in the α2 Programming Manual.

11.6 The “?” appears on the Display

The “?” mark is displayed when an unacceptable key is pressed according to the screen data. Confirm the acceptable options and press the appropriate key.



11.7 Cannot Use an Operation Key

Check the movement of the operation keys according to the following procedures when the α2 series will not accept a key operation. If the steps outlined in instructions (1) - (5) below can be performed, the keys are operating properly. Please check if the key(s) are used in the program.

- 1) Place the controller in the Stop mode. Consult a Mitsubishi Distributor when the Stop mode cannot be entered.

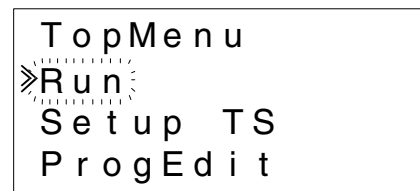
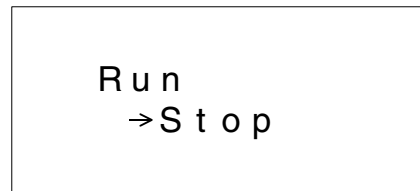


Caution

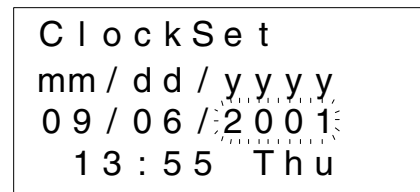
Perform the forced stop operation only after thoroughly checking that it is safe to do so. Damage to the machine or controller or a safety issue could arise if the forced ON/OFF is performed inappropriately. If proper precautions are not taken, damage to the equipment or machine failure may occur.

Forced Stop Operation

- a) Turn the α2 series power supply off.
- b) Turn the power ON again while pushing the “OK” and “ESC” keys at same time.
The screen at right is displayed for 5 seconds.
The option to place the controller in Stop mode will be available for approximately five seconds. Press the “OK” key to enter the Stop Mode. If no key is pressed, the controller will default back into the Run mode.
- c) Push the “ESC” key.
The “Top Menu” shown at right is displayed.

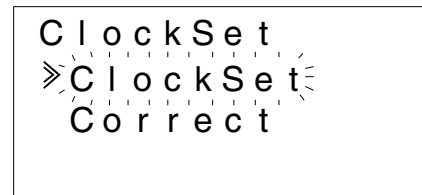


- 2) Scroll through the Top Menu with “▲” key or “▼” key.
Consult a Mitsubishi distributor when you cannot scroll.
- 3) Move the cursor to “ClockSet” with “▲” key or “▼” key, and push the “OK” key twice.
The “ClockSet” screen at right is displayed.
Consult a Mitsubishi distributor when it is not displayed.



- 4) Try to change the month/year data using the “◀” key, “▶” key, “+” key and “-” key.
Consult a Mitsubishi distributor when editing is not possible.

- 5) Push the “ESC” key.
 The screen at right is displayed and the operation of (4) is invalidated.
 Consult a Mitsubishi Distributor when the correct screen is not displayed.



ENG

11.8 Incorrect LCD display

Check the following items.

- 1) The character is displayed in reverse and the entire screen is black.
 Consult a Mitsubishi Distributor when the above error occurs. The α2 controller display has been damaged.
- 2) An Unexpected Display Configuration is Shown
 When the display does not appear as expected, please check the following points in the program.
 - a) Adjust the position where each display function begins. Two separate displays might have an overlapping display area that causes the undesired result.
 - b) The character fails to display
 - Check if the input pin to the Display Function Block is On.
 - Check whether there is a conflict with another display.

11.9 Memory Cassette Is Not Working Correctly

Check the following items when the memory cassette is not recognized or the cassette transfer functions are not functional.



Notes on use

- Use the memory cassette, the telecommunication cable, or the connector cover while power is supplied to the α2 series controller.
 Improper equipment installation can cause damage to the controller or an electric shock.
- 1) The memory cassette must be installed correctly, refer to section 6.1 for the proper installation procedure.
 - 2) The message “ProtectSW Error” is displayed.
 The data protection (ProtectSW) is set.
 Refer to the α Programming Manual for the procedure to unlock this setting.
 - 3) The message “Password Error” is displayed.
 The password is set. Try again after disabling the password.
 Refer to the α Programming Manual for the procedure to disable the password.

The “ProgClear” option can delete the password, program, and all Top Menu settings. The controller will return to the factory default settings.

Refer to α Programming Manual for the procedure to use the “ProgClear” operation.

11.10 Cannot Communicate with the AS-interface Master Module

Check the following items.



Notes on use

- Use the expansion board or the connector cover while power is supplied to the α2 series controller.
Improper equipment installation can cause damage to the controller or an electric shock.
- 1) Check whether AS-interface power supply is adequate.
 - 2) Check that the control bit N1 is Off. Use one of the two methods below to change its status if required.
 - a) When not using it in the program
Force the status to Off, refer to α Programming Manual for the Force On/Off procedure
 - b) When using it by the program
Change the program or manipulate the inputs so that the control bit N1 turns Off.
 - 3) Check that the slave address is correct.
Set the slave address from the AS-interface master module.
Refer to the manual of section 9.4.1 and the AS-interface master module for the address setting method.
 - a) Another slave's address and the AL2-ASI-BD's address overlap.
Set the address so that there is no conflict.
 - b) Slave address is 0.
Set a valid slave address from the AS-interface master module.
 - 4) AL2-ASI-BD is not an active slave on the master module side.
Check the setting of the master module.
Refer to the manual of the AS-interface master module for the confirmation method.

11.11 Cannot Communicate with AL-PCS/WIN-E.

Check the following items.



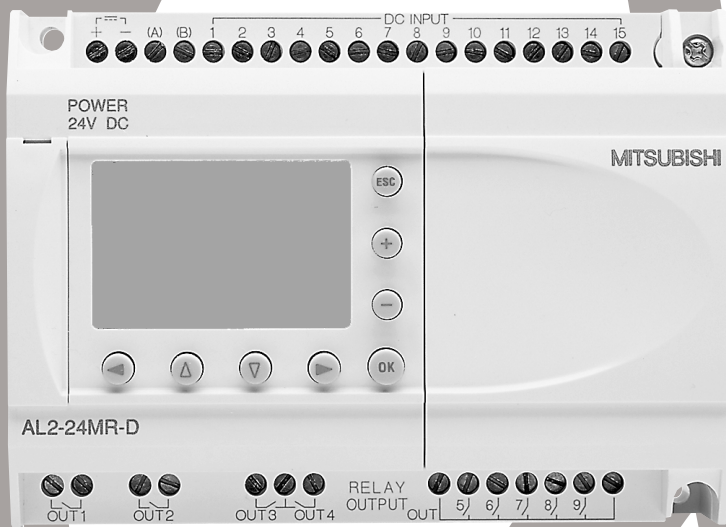
Notes on use

Use the memory cassette and the communication cable or the connector cover while installed without fail.

It causes the electric shock and the breakdown.

- 1) Check cable (AL-232CAB) connection.
Refer to section 7.2 for the connection method.
- 2) Check the power supply supplied to the α2 series.
Refer to section 4 for the wiring for the power supply.
Moreover, refer to section 2.2 for the specification of the power supply.
- 3) Check whether the COM port of the personal computer which has connected a setup and cable (AL-232CAB) of the “communication port” set up by programming software is in agreement. Match it when not matching. Match it.
- 4) When it is remotely maintained with a modem
 - a) Check whether a setup of the modem by the side of α2 series is correct.
Refer to α2 programming manual and section 7.3 for the setting of the modem connected to the α2 series side.
 - b) Check the connection of cable made by customer.
For the connection of cable, refer to section 7.3.2.
 - c) Check the setting of the modem on the programming software side.
Check whether the disk for a setup of modem attachment is installed correctly.

ENG



α2-Steuerung

HARDWARE-HANDBUCH

Vorwort

- Dieses Handbuch enthält Texte, Abbildungen und Erläuterungen zur korrekten Installation und Bedienung der α2-Steuerung. Vor der Installation und dem Einsatz des Gerätes muss dieses Handbuch gelesen werden. Die Inhalte müssen verstanden sein.
- Wenn während der Installation Fragen auftreten, ziehen Sie auf jeden Fall eine Elektrofachkraft zu Rate, die mit den elektrotechnischen Bestimmungen vertraut ist. Setzen Sie sich mit dem nächstliegenden Händler von MITSUBISHI ELECTRIC in Verbindung, wenn Sie Unterstützung bei der Bedienung oder Anwendung der α2-Steuerung benötigen.
- Dieses Handbuch wird vorbehaltlich etwaiger Änderungen herausgegeben. Änderungen können ohne Hinweis vorgenommen werden.

α2-Steuerung (ALPHA XL-Steuerung)

Hardware-Handbuch

GER

Nummer:	146003
Revision:	B
Datum:	06/2002

Bitte, nehmen Sie sich einen Augenblick Zeit...

Mitsubishi Electric ist weltweit für sein Bestreben bekannt, die industrielle Automation weiter zu entwickeln und zu erleichtern. Dabei wird gerade vom Anwender der Aufwand für eine einwandfreie technische Dokumentation des Öfteren unterschätzt. Deshalb sind wir ganz besonders auf Sie und Ihre Meinung angewiesen, damit alle Produkte und Dokumentationen von Mitsubishi auch in Zukunft dem schnell ansteigenden Fortschritt gerecht werden können. Bitte, nehmen Sie sich einen Augenblick Zeit, füllen Sie diesen kurzen Fragebogen aus und faxen Sie ihn an uns. Wir freuen uns auf eine Antwort von Ihnen.

Fax-Nummern:		Ihr Name
Mitsubishi Electric....	
Amerika	(708)298-1834	Ihre Firma.....
Australien	(02)638 7072
Deutschland	(0 21 02)4 86-11 20	Ihre Adresse.....
Spanien	(0 34)93 589 1579
Großbritannien	(01707)278695	

GER

Kreuzen Sie in dem jeweiligen Kästchen Ihre Meinung an:

In welchem Zustand befand sich dieses Handbuch, als Sie es erhalten haben? Gut Beschädigt Unbrauchbar

Werden Sie das Handbuch in einem Ordner, einem Schnellhefter oder einem Schutzumschlag aufbewahren? Ja Nein

Was denken Sie über den Inhalt des Handbuches? Übersichtlich Verwirrend

Sind alle Beschreibungen verständlich? Ja Ja, die meisten Viele unklar

Welche Beschreibungen war am schwierigsten zu verstehen?

Sind alle Abbildungen eindeutig zu verstehen? Ja Nein

Wenn nicht, welche?:.....

Was denken Sie über die Gestaltung, das Layout dieses Handbuches? Gut Nicht schlecht Verwirrend

Welche Verbesserungen gibt es Ihrer Meinung nach zu diesem Handbuch?

Haben Sie die von Ihnen benötigten Informationen schnell gefunden, z. B. mit dem Stichwort- und/oder Inhaltsverzeichnis? Bitte schildern Sie Ihre Erfahrungen.

.....

Was können Sie generell zu Mitsubishi-Handbüchern sagen? Gibt es Lob/Kritik/Verbesserungsvorschläge?

.....

Danke, dass Sie sich die Zeit genommen haben, diesen Fragebogen auszufüllen. Wir hoffen, dass Sie sowohl mit dem Produkt als auch mit den Handbüchern zufrieden sind.

Sicherheitsrichtlinien für den Anwender und Schutzmaßnahmen für die α2-Steuerung

Dieses Handbuch beinhaltet Informationen für den Gebrauch der α2-Steuerung. Das Handbuch wurde für geschultes und kompetentes Personal erstellt. Hierbei wird für die Qualifizierung folgende Definition zugrunde gelegt:

- a) Jeder Techniker, der Anlagen der Automatisierungstechnik unter Einbeziehung des Produktes plant, projiziert und errichtet, sollte diesbezüglich ausreichende Kenntnisse besitzen. Hierbei sollte die Schulung und Qualifizierung auch die Kenntnis der lokalen und nationalen Bestimmungen umfassen. Der Techniker sollte vollständige Kenntnisse über alle Sicherheitsaspekte im Bereich der Automatisierungstechnik besitzen.
- b) Jeder Nutzer oder Service-Techniker muss zur korrekten sicheren Ausführung der Arbeitsvorgänge Kenntnisse im Bereich der lokalen und nationalen Bestimmungen aufweisen. Der Techniker sollte auch in der Bedienung und Wartung der Geräteeinheiten geschult sein. Hiermit ist die gesamte Produktfamilie mit allen zugehörigen Dokumentationen gemeint. Alle Wartungseinheiten sollten stets in Übereinstimmung mit den gängigen Sicherheitsaspekten erfolgen.
- c) Jeder, der das Produkt bedient, sollte in der sicheren Bedienung des Gerätes geschult sein. Die gängigen Sicherheitsaspekte sollten immer mit einbezogen werden. Der Bediener sollte sich darüber hinaus mit den Dokumentationen der übrigen Anlagen-ausrüstung vertraut machen.

Hinweis: Mit dem Begriff „übrige Anlagenausrüstung“ sind alle weiteren Geräte der Automatisierungsanlage gemeint, die in Verbindung mit dem Produkt und den zugehörigen Handbuchinformationen stehen.

Hinweise zu der im Handbuch verwendeten Symbolik

In diesem Handbuch werden zur Hervorhebung von bestimmten Informationen verschiedene Symbole verwendet. Hiermit erhält das Bedienpersonal alle notwendigen Hinweise zu den Sicherheits- und Schutzmaßnahmen. Bei jedem Auftreten der Symbole muss der zugehörige Hinweis gelesen werden und die gegebene Information verstanden sein. Nachfolgend sind alle Symbole kurz erläutert.

Hardware-Warnhinweise



- 1) Bezeichnet eine unmittelbar drohende Gefahr, die zu einem Personen- oder Sachschaden führen kann



- 2) Bezeichnet eine möglicherweise auftretende Gefahr, die zu einem Personen- oder Sachschaden führen kann



- 3) Bezeichnet einen Punkt mit Hinweisen oder zusätzlichen Erläuterungen

Software-Warnhinweise



- 4) Bezeichnet einen ausdrücklichen Warnhinweis, der bei der Programmierung auf jeden Fall beachtet werden muss



- 5) Bezeichnet einen speziellen Hinweis, der in Verbindung mit der Bedienung vom Anwender beachtet werden sollte



- 6) Bezeichnet einen Punkt mit weiteren Hinweisen oder zusätzlichen Erläuterungen

- MITSUBISHI ELECTRIC übernimmt unter keinen Umständen die Haftung oder Verantwortung für einen Schaden, der aufgrund einer unsachgemäßen Installation oder Betrieb der Geräte oder des Zubehörs entstanden ist.
- Alle Beispiele und Abbildungen in diesem Handbuch dienen nur als Hilfe zum Verstehen des Textes. Für die Richtigkeit der dargestellten Bedienvorgänge kann keine Gewährleistung übernommen werden. MITSUBISHI ELECTRIC übernimmt keine Verantwortung für eine Produkthanwendung, die sich auf die dargestellten Beispiele bezieht.
- Aufgrund der großen Anzahl von verschiedenen Anwendungsmöglichkeiten dieser Geräteausrüstung müssen Sie die Anpassung für Ihren speziellen Anwendungsfall selbst vornehmen.

Liste weiterer Handbücher

	Handbuchtitel	Artikel-Nr.	Beschreibung
⊙	ALPHA XL Hardware-Handbuch (mehrsprachig) (das vorliegende Handbuch)	146003	Dieses Handbuch beinhaltet Hardware-Beschreibungen zu Verkabelung, Installation und Technischen Daten etc. der Alpha XL-Serie.
○	ALPHA XL Programmieranleitung	146002	Dieses Handbuch beinhaltet Erläuterungen zur Programmierung der Alpha XL-Serie.
○	ALPHA XL Software-Handbuch	126018	Dieses Handbuch beinhaltet Erläuterungen zur Handhabung der Programmier-Software AL-PCS/WIN-EU.
○	ALPHA XL Kommunikationshandbuch	146565	Dieses Handbuch beinhaltet Setup-Beschreibungen zu Datenaustausch, Diagnose, Bit-Zuweisungen, etc. für die Kommunikationsfunktionen der Alpha XL-Serie.
□	ALPHA XL Installationsbeschreibung (mehrsprachig)	146015	Dieses Handbuch beinhaltet Hardware-Beschreibungen zur Installation der Alpha XL-Serie.
□	ALPHA XL Handbuch E/A-Module (mehrsprachig)	146014	Dieses Handbuch beinhaltet Hardware-Beschreibungen zur Installation der Erweiterungsmodule AL2-4EX, AL2-4EX-A2, AL2-4EYR und AL2-4EYT.
□	ALPHA XL AL2-EEPROM-2 Hardware-Handbuch (mehrsprachig)	146019	Dieses Handbuch beinhaltet Hardware-Beschreibungen zur Installation der Speicherkassette AL2-EEPROM-2.
□	ALPHA XL AL-232CAB Hardware-Handbuch (mehrsprachig)	146018	Dieses Handbuch beinhaltet Hardware-Beschreibungen zur Installation des Kabels AL-232CAB.
□	ALPHA XL AL2-GSM-CAB Hardware-Handbuch (mehrsprachig)	146017	Dieses Handbuch beinhaltet Hardware-Beschreibungen zur Installation des Kabels AL2-GSM-CAB.
□	ALPHA XL AL-ASI-BD Hardware-Handbuch (mehrsprachig)	132304	Diese Handbücher beinhalten Hardware-Beschreibungen zu Verkabelung, Installation und Technischen Daten etc. der Module AL-ASI-BD und AL2-ASI-BD.
	ALPHA XL AL2-ASI-BD Hardware-Handbuch (mehrsprachig)	146016	

GER

- ⊙ Diese Handbücher sind vor der Nutzung der Steuerung gründlich zu studieren.
- Für zusätzliche Informationen nutzen Sie diese Handbücher.
- Falls erforderlich, nutzen Sie diese Handbücher für weitere Informationen. Der Inhalt ist im Hardware-Handbuch zur Alpha XL-Serie enthalten.

Inhaltsverzeichnis

Sicherheitsrichtlinien	GER-v
1. Einleitung.....	GER-1
1.1 Besonderheiten der α2-Steuerung:.....	GER-2
1.2 Verfügbare Modelle	GER-3
1.3 Abmessungen und Bedienungselemente.....	GER-4
1.4 Systemkonfiguration	GER-5
1.5 Programmier-Software	GER-5
2. Technische Daten	GER-7
2.1 Spannungsversorgung	GER-7
2.2 Eingänge	GER-8
2.3 Ausgänge	GER-10
2.4 Umgebungsbedingungen	GER-11
3. Installation	GER-13
3.1 Installationshinweise.....	GER-13
3.2 Montage auf einer DIN Befestigungsschiene	GER-14
3.2.1 Montage	GER-14
3.2.2 Demontage.....	GER-14
3.3 Direktmontage	GER-15
3.4 Installation der Erweiterungsmodule	GER-16
4. Verdrahtung.....	GER-17
4.1 Hinweise zur Installationsverdrahtung.....	GER-17
4.2 Kabelgröße und Spezifikationen.....	GER-18
4.3 Spannungsversorgung	GER-19
4.4 AC-Spannungsversorgung und Eingangsverdrahtung	GER-20
4.4.1 AC-Spannungsversorgung und Eingangsverdrahtung.....	GER-20
4.4.2 AL2-4EX-A2 Eingangsverdrahtung	GER-20
4.5 DC-Spannungsversorgung und Eingangsverdrahtung.....	GER-21
4.5.1 DC-Spannungsversorgung und Source Eingangsverdrahtung (gemeinsamer „+“ Pol).....	GER-21
4.5.2 AL2-4EX Source-Eingangsverdrahtung (gemeinsamer „+“ Pol)	GER-22
4.5.3 DC-Spannungsversorgung und Sink-Eingangsverdrahtung (gemeinsame Masse).....	GER-23
4.5.4 AL2-4EX Sink Eingangsverdrahtung (gemeinsame Masse)	GER-24
4.6 Relais-/Transistor-Ausgangsverdrahtung	GER-25
4.6.1 Relaisausgangsverdrahtung „Hauptmodul“ (AC und/oder DC)	GER-25
4.6.2 Relaisausgangsverdrahtung AL2-4EYR (AC und/oder DC).....	GER-26
4.6.3 AL2-4EYT Transistor-Ausgangsverdrahtung (nur Source <gemeinsamer „+“ Pol>).....	GER-27
5. Klemmenbelegung	GER-29
6. AL2-EEPROM-2	GER-31
6.1 Installation	GER-32

GER

7. AL-232CAB	GER-33
7.1 Einleitung.....	GER-33
7.1.1 Abmessungen	GER-33
7.2 Verbindung mit dem Kabel AL-232CAB	GER-34
8. AL2-GSM-CAB	GER-37
8.1 Einleitung.....	GER-37
8.1.1 Abmessungen	GER-37
8.1.2 Systemkonfiguration bei Verwendung des AL2-GSM-CAB.....	GER-38
8.2 Installation	GER-39
8.3 Fernwartung über ein Modem	GER-41
8.3.1 Empfohlene Modems	GER-41
8.3.2 RS-232C-Kabel zwischen Modem und AL2-GSM-CAB	GER-41
8.3.3 Modemeinstellungen	GER-42
9. AL2-ASI-BD	GER-45
9.1 Einführung	GER-45
9.1.1 Maße	GER-45
9.1.2 Systemkonfiguration.....	GER-46
9.2 Technische Daten.....	GER-46
9.3 Anschluss und Installation	GER-47
9.3.1 Installation	GER-47
9.3.2 Verdrahtung.....	GER-48
9.4 Einstellung der Slave-Adresse und Fehlerdiagnose.....	GER-48
9.4.1 Einstellung der Slave Adresse	GER-48
9.4.2 Fehlerdiagnose.....	GER-48
10. Tasten, System-Bit und Funktionsblock-Listen	GER-49
10.1 Übersicht der Tastaturbelegung	GER-49
10.2 System- und Kontroll-Bit-Liste	GER-50
10.2.1 System-Bit-Liste	GER-50
10.2.2 Kontroll-Bit-Liste	GER-50
10.3 Liste der Funktionsblöcke.....	GER-51
11. Fehleranalyse.....	GER-55
11.1 Eingangsstatusfehler	GER-56
11.2 Ausgangsstatusfehler	GER-56
11.3 Hauptmenü wird nicht angezeigt	GER-57
11.4 Umschaltung in den Run-Modus nicht möglich	GER-58
11.5 Falsche Uhrzeit.....	GER-58
11.6 Das „?“ erscheint im Display.....	GER-58
11.7 Die Funktionstasten können nicht verwendet werden	GER-59
11.8 Falsche LCD-Anzeige.....	GER-60
11.9 Die Speicher-Kassette arbeitet fehlerhaft.....	GER-61
11.10 Die Kommunikation mit dem AS-Interface-Master-Modul ist gestört	GER-62
11.11 Die Kommunikation mit dem AL-PCS/WIN-E ist gestört.....	GER-63

1. Einleitung

Die $\alpha 2$ -Steuerung kann für alle Anwendungen im Haushalt, Büro oder der Industrie eingesetzt werden, bei denen eine Steuerung erforderlich ist. Das Gerät schaltet zur Steuerung elektrischer Geräte entsprechend einem Funktionsblockprogramm die Ausgänge AUS und EIN.

Die Beschreibung der Einrichtung und Nutzung der Steuerung finden Sie im $\alpha 2$ -Programmierhandbuch. Eine detaillierte Programmieranweisung für die AL-PCS/WIN-E Software finden Sie im $\alpha 2$ -Software-Handbuch.

Anwendungsgebiete

Die $\alpha 2$ -Steuerung ist für folgende Anwendungsgebiete konzipiert worden:

- Beleuchtungsregulierung, Automatisierung von Klimaanlage oder Bewässerungssystemen
- Schließvorrichtungen an Toren
- Einfache Sicherheitssysteme
- Automatisierung der Tierfütterung
- Regulierung der Luftzirkulation in Viehställen und Treibhäusern

Die $\alpha 2$ -Steuerung ist nicht für die folgenden Anwendungsmöglichkeiten entwickelt worden:

- Anwendungen, die höchste Zuverlässigkeit erfordern
Dieses sind z. B. Nuklear-Technologie, Schienenverkehr, Luftfahrt, Fahrzeuge mit Verbrennungsmotoren und medizinische Geräten.
- Anwendungen in lebensbedrohlichen Situationen

Für weitere Informationen wenden Sie sich an einen Mitsubishi-Vertragspartner.

GER

1.1 Besonderheiten der α2-Steuerung:

- 1) Informations- und Funktionsblockdaten-Anzeige
 Die α2-Steuerung kann den Funktionszustand und die Alarmsignale visuell auf einer LCD-Anzeige darstellen. Die folgenden Informationen können über die Funktionsblockanzeige dargestellt werden. Die Werte angezeigter Timer und Counter können im RUN-Modus eingestellt werden.
 - Gesamtgröße der LCD Anzeige: 12 Zeichen × 4 Zeilen
 - Angezeigte Werte: Informationen, Werte (aktuell oder voreingestellt) von Timer und Counter, Analogwerten, usw.
- 2) Programmierung über einen PC
 Über die Software AL-PCS/WIN-E für Windows können Programme erstellt und gespeichert werden. Die Programmierung erfolgt über eine grafische Darstellung, in der über Verbindungslinien Funktionseinheiten auf einem Bildschirm miteinander verbunden werden.
 Über ein Bedienfeld an der Vorderseite kann die α2-Steuerung ebenfalls direkt programmiert werden.
- 3) Übermittlung von Bildschirmhalten mit einem GSM-Modem
 Die Bildschirmhalte können mit einem GSM-Modem per E-Mail verschickt werden. Über die gleiche Methode kann der Anwender den Zustand einer Applikation überwachen, in dem die Überwachungsinformationen als E-mail per GSM-Modem versendet werden.
- 4) Unterstützung von Computer-Link im erweiterten Protokoll
 Die α2-Steuerung unterstützt Computer-Link (erweiterertes Protokoll). Benutzerdefinierte Applikations-Software kann somit unter Verwendung von Computer-Link (erweiterertes Protokoll) zur Einstellung von Terminplandaten, Parametern in Funktionsblöcken und zur Überwachung von Applikationen eingesetzt werden.
- 5) Erweiterte Uhrfunktion
 Die Wochen-Timer- und Kalenderfunktion bietet verschiedene Funktionen, die eine umfangreiche Zeitüberwachung ermöglichen.
- 6) Analogeingang, 0–10V/0–500:
 Der DC-Eingang der α2-Steuerung kann Signale von 0–10V mit einer Auflösung von 0–500 verarbeiten.
- 7) Schnelle Zähler, max. 1 kHz
 Die α2-Steuerung stellt 2 schnelle Zähler zur Verfügung, wenn das Modul AL2-4EX (Eingänge EI1 und EI2) eingesetzt wird.
- 8) Max. Ausgangsstrom

Tabelle 1.1: Max. Ausgangsstrom

Ausgangstyp		Max. Ausgangsstrom
RELAIS	AL2-14MR-*: O01–06 AL2-24MR-*: O01–04	8A / Gesamt
	AL2-24MR-*: O05–09 AL2-4EYR: EO1–EO4	2A / Klemme (4A / Gesamt)
TRANSISTOR	AL2-4EYT: EO1–EO4	1A / Klemme

- 9) Eingebauter EEPROM-Speicher
Der eingebaute EEPROM-Speicher macht eine Batterie für die Datensicherung bei Stromausfall überflüssig.
- 10) Unterstützung von 6 Sprachen
Die α2-Steuerung unterstützt 6 Sprachen für die Bildschirmausgabe: Englisch, Deutsch, Französisch, Italienisch, Spanisch und Schwedisch. Die Sprache kann im Hauptmenü ausgewählt werden.

1.2 Verfügbare Modelle

Tabelle 1.2: Hauptmodul

Modell	Spannungsversorgung	Eingänge		Ausgänge		Abmessungen (mm)	Gewicht (kg)
		Typ	Anzahl	Type	Anzahl		
AL2-14MR-A	100–240V AC	100–240V AC	8	RELAIS	6	124,6 x 90 x 52	0,30 ^{*1}
AL2-14MR-D	24V DC	24V DC Sink/Source	8	RELAIS	6		0,35 ^{*1}
AL2-24MR-A	100–240V AC	100–240V AC	15	RELAIS	9		0,30 ^{*1}
AL2-24MR-D	24V DC	24V DC Sink/Source	15	RELAIS	9		

*1 Ohne Sonderfunktionsmodule

Tabelle 1.3: Erweiterungsmodul

Modell	Eingänge		Ausgänge		Gewicht (kg)
	Typ	Anzahl	Typ	Anzahl	
AL2-4EX-A2	220–240V AC	4	—		0,05
AL2-4EX	24V DC, Sink/Source	4	—		
AL2-4EYR	—	—	RELAIS	4	
AL2-4EYT	—	—	TRANSISTOR	4	

GER

1.3 Abmessungen und Bedienungselemente

Abbildung 1.1: Bedienungselemente

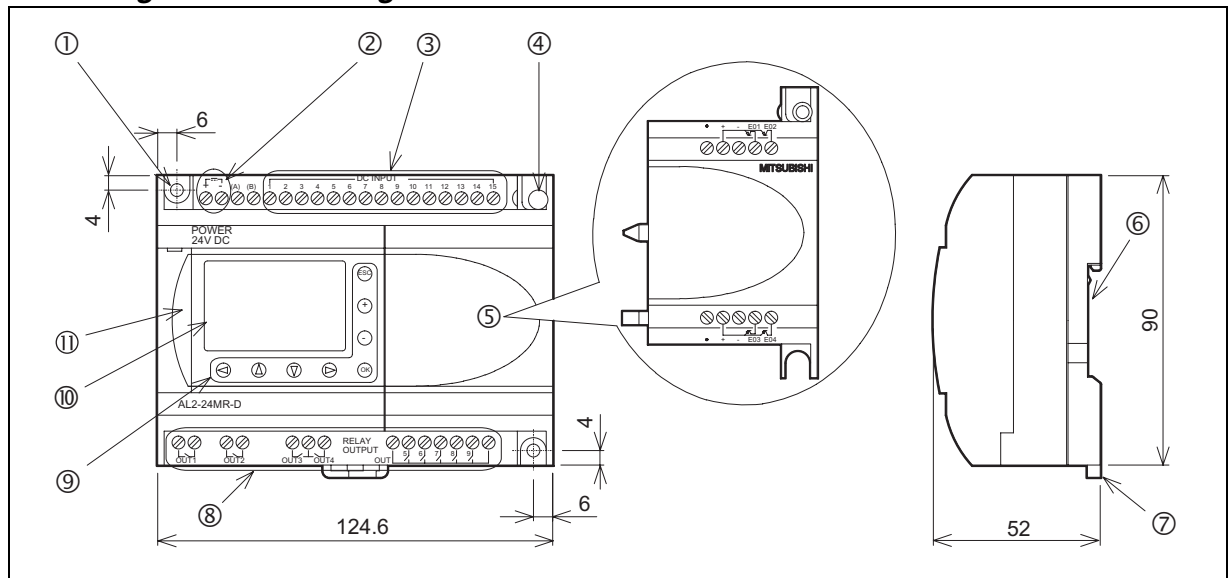
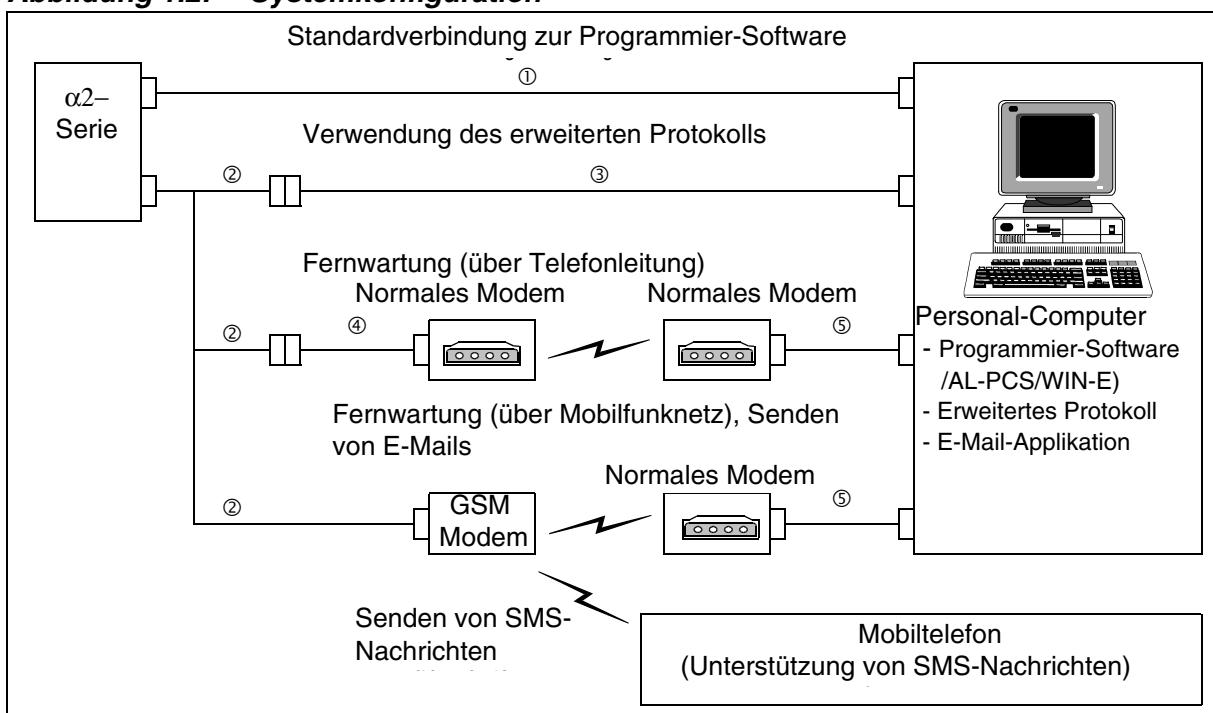


Tabelle 1.4: Gerätebeschreibung

Nr.	Beschreibung
①	Montagebohrung, Ø4,2 mm
②	Spannungsversorgungsklemmen
③	Eingangsklemmen
④	Befestigungsschraube für die Abdeckung oder die Erweiterungsmodule
⑤	Abdeckung oder Erweiterungsmodul
⑥	Nut für DIN-Schienenmontage (Breite der DIN-Schiene 35mm <DIN EN 50022>)
⑦	DIN-Schienenhaken
⑧	Ausgangsklemmen
⑨	Bedientasten
⑩	LCD-Anzeige
⑪	Abdeckung Programmierschnittstelle

1.4 Systemkonfiguration

Abbildung 1.2: Systemkonfiguration



GER

Tabelle 1.5: Systemkonfiguration

Nummer	Verwendetes Kabel
①	AL-232CAB
②	AL2-GSM-CAB
③	RS-232C serielles Kabel*1
④	RS-232C Modemkabel*1
⑤	RS-232C Modemkabel (bestimmt durch Modemhersteller)

*1 Weitere Informationen finden Sie in Kapitel 8.

1.5 Programmier-Software

Die α2-Steuerung unterstützt die Programmier-Software (AL-PCS/WIN-E) V2.00 oder höher. Frühere Versionen als V2.00 werden von der α2-Steuerung nicht unterstützt.

MEMO

2. Technische Daten

2.1 Spannungsversorgung

Tabelle 2.1: Spannungsversorgung

Beschreibung	Code	Eigenschaften
Spannungsversorgung	AL2-***-A	100–240V AC, +10% -15%, 50–60 Hz
	AL2-***-D	24V DC, +20% -15%
Max. zulässige Spannungsausfallzeit	AL2-***-A	10 ms
	AL2-***-D	5 ms
Stromspitzenwerte	AL2-***-A, 240V AC (120V AC)	≤ 6,5 A (3,5 A)
	AL2-***-D, 24V DC	≤ 7,0 A
Max. Leistungsaufnahme	AL2-14MR-A, 264V AC	5,5 W
	AL2-14MR-D, 28.8V DC	7,5 W
	AL2-24MR-A, 264V AC	7,0 W
	AL2-24MR-D, 28.8V DC	9,0 W
Typ. Leistungsaufnahme (ohne Sonderfunktionsmodule)	AL2-14MR-A, 240V AC	Alle E/A ein - 4,5 W, alle E/A aus - 2,0 W
	AL2-14MR-A, 120V AC	Alle E/A ein - 3,5 W, alle E/A aus - 1,5 W
	AL2-14MR-D, 24V DC	Alle E/A ein - 4,0 W, alle E/A aus - 1,0 W
	AL2-24MR-A, 240V AC	Alle E/A ein - 5,5 W, alle E/A aus - 2,5 W
	AL2-24MR-A, 120V AC	Alle E/A ein - 4,5 W, alle E/A aus - 2,0 W
	AL2-24MR-D, 24V DC	Alle E/A ein - 5,0 W, alle E/A aus - 1,0 W

GER

2.2 Eingänge

Tabelle 2.2: Technische Daten der AC-Eingänge

Beschreibung	Technische Daten		
	Hauptmodul		AL2-4EX-A2
	I01-I08	I09-I15	EI1-EI4
Eingangsspannung	100–240V AC, +10% -15%, 50/60 Hz		220–240V AC, +10% -15%, 50/60 Hz
Eingangsstrom	0,13 mA/120V AC ^{*1} 0,25 mA/240V AC ^{*1}	0,15 mA/120V AC ^{*1} 0,29 mA/240V AC ^{*1}	7,5 mA / 240V AC 50Hz 9,0 mA / 240V AC 60Hz
Eingangsimpedanz	≥ 800 kΩ		32 kΩ (50 Hz) 27 kΩ (60 Hz)
AUS->EIN / EIN->AUS	≥ 80 V / ≤ 40 V		≥ 160 V / ≤ 40 V
Ansprechzeit	AUS->EIN	35-85 ms / 120V AC 25-55 ms / 240V AC	
	EIN->AUS	35-85 ms / 120V AC 50-130 ms / 240V AC	
Schaltkreis-isolation	Keine		Optokoppler
Betriebsanzeige	LCD-Anzeige		

*1 Der Leckstrom von den an den an der Eingängen angeschlossenen Sensoren kann ausreichen, um die Steuerung einzuschalten. Verwenden Sie deshalb keine Zweileiter-Sensoren.

Tabelle 2.3: Technische Daten der DC-Eingänge

Beschreibung		Sink („-“ Common)	Source („+“ Common)
Eingangsspannung		24V DC +20% -15%	24V DC +20% -15%
Eingangsstrom	Hauptmodul	I01-I08	6,0 mA, 24V DC
		I09-I15	5,5 mA, 24V DC
	AL2-4EX	EI1-EI4	5,4 mA, 24V DC
AUS->EIN / EIN->AUS	Hauptmodul	I01-I15	Strom: ≥ 4,7 mA / ≤ 1,1 mA Spannung: ≤ 4 V / ≥ 18 V
	AL2-4EX	EI1-EI4	Spannung: ≥ 18 V / ≤ 4 V
Ansprechzeit	Hauptmodul	10–20 ms	
	AL2-4EX ^{*1}	10–20 ms	
Schaltkreis-isolation	Hauptmodul	Keine	
	AL2-4EX	Optokoppler	
Betriebsanzeige		LCD-Anzeige	

*1 EI1 und EI2 des AL2-4EX können als Eingänge eines schnellen Zählers eingesetzt werden. In jedem Fall beträgt die Ansprechzeit für die Eingänge eines schnellen Zählers 0,5 ms oder weniger.

Tabelle 2.4: Technische Daten der analogen Eingänge (Nur Typ AL2-*-D)**

Beschreibung	Technische Daten der analogen Eingänge
Anzahl der analogen Eingänge	8 (I01–I08)
Analogeingangsbereich	0–500
Auflösung	9 bit, 20 mV (10V / 500)
Wandler-geschwindigkeit	8 ms
Eingangsspannung	0–10 V DC
Eingangsimpedanz	142 kΩ ± 5%
Genauigkeit	± 5% (0,5 V DC)
Offset/Gain	Offset-Wert = 0 bei 0 V DC Gain-Wert: 0–10 V = 0–500 Diese voreingestellten Werte können im Funktionsblock Offset geändert werden.
Temperaturabweichung	± 3 LSB

GER

2.3 Ausgänge

Tabelle 2.5: Technische Daten der Relais-Ausgänge

Beschreibung		Technische Daten
Einschaltspannung		250V AC oder weniger, 30V DC oder weniger
Max. Ohmsche Last	AL2-14MR-* (O01-O06)	8 A / Gesamt
	AL2-24MR-* (O01-O04)	
	AL2-24MR-* (O05-O09)	2 A / Klemme (4 A / Gesamt)
	AL2-4EYR (EO1-EO4)	2 A / Klemme
Lebenszyklus / Ohmsche Last	AL2-14MR-* (O01-O06)	100000 Zyklen bei 8 A / 240V AC oder 24V DC
	AL2-24MR-* (O01-O04)	
	AL2-24MR-* (O05-O09)	100000 Zyklen bei 2 A / 240V AC oder 24V DC
	AL2-4EYR (EO1-EO4)	
Minimale Last		50 mW (10 mA bei 5V DC)
Max. induktive Last	AL2-14MR-* (O01-O06)	249 VA (1/3 hp)/ 125V AC, 373 VA (1/2 hp) / 250V AC
	AL2-24MR-* (O01-O04)	
	AL2-24MR-* (O05-O09)	93 VA (1/8 hp)/ 125V AC, 93 VA (1/8 hp) / 250V AC
	AL2-4EYR (EO1-EO4)	
Ansprechzeit		≤ 10 ms
Betriebsanzeige		LCD-Anzeige
Schaltkreis isolation		über Relais

Tabelle 2.6: Technische Daten der Transistor-Ausgänge (Nur Source) für AL2-4EYT

Beschreibung	Transistor-Eigenschaften
Schaltspannung	5–24V DC (+20%, -5%)
Max. Ohmsche Last	1A / Klemme (8–24V DC), 0,1A / Klemme (5–8V DC)
Minimale Last	1,0 mA
Max. induktive Last	1 A / 24V DC (24 W)
Ansprechzeit Ein/Aus, Aus/Ein	≤ 1 ms
Leckstrom	≤ 0,1 mA / 24V DC
Betriebsanzeige	LCD-Anzeige
Schaltkreis isolation	Optokoppler

2.4 Umgebungsbedingungen

Tabelle 2.7: Umgebungsbedingungen

Beschreibung	Technische Daten
Programmiermethode	Funktionsblock-Methode
Programmkapazität	200 Funktionsblöcke oder 5000 Bytes
Programmspeicherung	EEPROM (keine Batterie erforderlich) oder optionale EEPROM-Kassette (AL2-EEPROM-2)
Operandensicherung	20 Tage bei 25°C (Kondensator)
Echtzeituhr-Backup	20 Tage bei 25°C (Kondensator)
Genauigkeit Echtzeituhr	5 s/Tag (25°C)
Betriebstemperatur	Steuerungs-Hardware: (-25)–55°C Steuerungs-Anzeige: (-10)–55°C
Lagertemperatur	(-30)–70 °C
Vibrationsfestigkeit Direkte Montage	Entspricht IEC 68-2-6; 10-57 Hz: 0,15 mm Konstante Amplitude 57-150 Hz: 19,6 m/s ² Beschleunigung Ablenkzyklus X,Y,Z: 10 x (80 min. in alle 3 Richtungen)
Vibrationsfestigkeit DIN-Schienen-Montage	Entspricht IEC 68-2-6; 10-57 Hz: 0,075 mm Konstante Amplitude 57-150 Hz: 9,8 m/s ² Beschleunigung Ablenkzyklus für X,Y,Z: 10 x (80 min. in alle 3 Richtungen)
Stoßfestigkeit	Entspricht IEC 68-2-27: 147m/s ² Beschleunigung, Aktionszeit: 11 ms 3 x in alle 3 Richtungen X,Y und Z
Störspannungsfestigkeit	1000Vpp, 1 Mikrosek., 30–100 Hz, getestet mit Störspannungssimulator
Luftfeuchtigkeit	35–85% relative Luftfeuchtigkeit, keine Kondensation
Spannungsfestigkeit	3750 V AC > 1 min nach IEC60730-1 zwischen den folgenden Klemmen: Spannungs-/Eingangsklemmen und Relais-Ausgangsklemmen Relais-Ausgangsklemme und Relais-Ausgangsklemme Alle Klemmen und der Steuerkasten (DIN 43880) oder Ähnliches
Isolationswiderstand	7 MΩ at 500V DC nach IEC60730-1 zwischen den folgenden Klemmen: Spannungs-/Eingangsklemmen und Relais-Ausgangsklemmen Relais-Ausgangsklemme und Relais-Ausgangsklemme Alle Klemmen und der Steuerkasten (DIN 43880) oder Ähnliches
Wirkungsweise	IEC 60730-1, Abschnitt 6.4.3 - Typ 1C (Relais-Ausgänge)
Wirkungsweise	IEC 60730-1, Abschnitt 6.4.3 - Typ 1Y (Transistor-Ausgänge)
Software-Klasse	IEC 60730-1, Abschnitt H6.18 - Klasse A
Gegenstand der Steuerung	IEC 60730-1, Abschnitt 2.2 - Elektrische Steuerung
Konstruktionsart	IEC 60730-1, Abschnitt 6.15 - Eingebautes Gerät
Konstruktionsart (elektronisch)	IEC 60730-1, Abschnitt H2.5.7 - Elektronische Steuerung
Sicherheitsklasse	II
Verschmutzungsgrad	2
Erdung	Keine
Elektrische Isolation	Verstärkte Primär- und Sekundärisolation
Umgebungsbedingungen	Umgebungen mit aggressiven Gasen meiden, staubfrei aufstellen
Schutzklasse	IP 20

GER

Tabelle 2.7: Umgebungsbedingungen

Beschreibung	Technische Daten
Temperatur für den Balldrucktest	75°C
EC-Richtlinie	EMC, LVD
Zertifizierungen	UL/cUL
Konformitätsbescheinigung	TÜV PRODUCT SERVICE
Tests	UL 508 ^{*1} IEC 60730-1 ^{*1} EN 61010-1 EN 50081-1 ^{*1} EN 50082-1 EN 61000-6-2
LCD-Anzeige	4 Zeilen mit je 12 Zeichen, Run-Modus, Passwortschutz, Statustabelle und Funktionsblock-Übersicht während der Programmierung

*1 AL2-ASI-BD entspricht nicht diesen Standards.

3. Installation

3.1 Installationshinweise

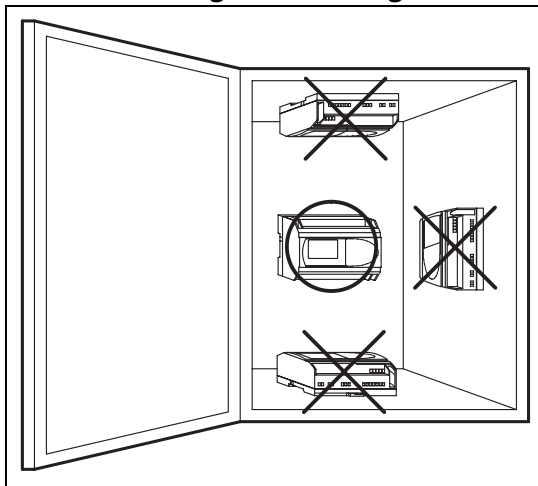


Die α 2-Steuerung wurde so konzipiert, dass sie unter Berücksichtigung folgender Einschränkungen nahezu überall eingesetzt werden kann:

- Die Geräte dürfen den folgenden Umgebungsbedingungen nicht ausgesetzt werden: Umgebungen mit einem hohen Grad an leitfähigen Stäuben, Korrosion, entzündbaren Gasen, Nebel, Regen, direkte Sonnenbestrahlung, große Hitze, starke Schockwellen und Vibrationen. Stellen Sie das Gerät nicht ins Wasser, und achten Sie darauf, dass kein Wasser in das Gerät dringt.
- Achten Sie darauf, dass keine Fremdkörper in das Gerät gelangen.
- Montieren Sie das Gerät möglichst weit entfernt von Hochspannungskabeln und Starkstromgeräten.
- Die α 2-Steuerung muss in einen Schaltschrank nach DIN 43880 oder einen Steuerkasten eingebaut werden.

GER

Abbildung 3.1: Montageanordnung



- Verwenden Sie zur Montage M4-Schrauben mit Zylinderkopf.
- Die Anschlüsse müssen abgedeckt werden, um Stromberührung zu vermeiden.
- Lassen Sie einen Minimalabstand von 10 mm zur Lüftung zwischen Ober- und Unterseite der α 2-Steuerung und den umgebenden Wänden.
- Schrauben Sie die α 2-Steuerung nie auf.



Anmerkung

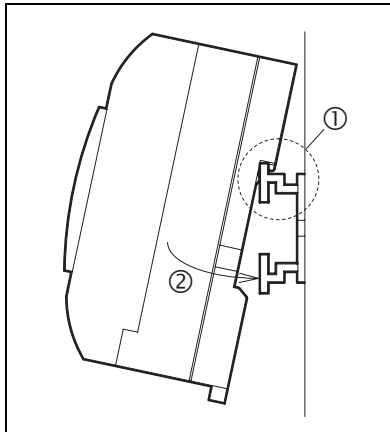
- Wenn Sie das AL2-EEPROM-2 installieren oder entfernen, beachten Sie bitte Kapitel 6.
- Wenn Sie das AL-232CAB installieren oder entfernen, beachten Sie bitte Kapitel 7.
- Wenn Sie das AL2-GSM-CAB installieren oder entfernen, beachten Sie bitte Kapitel 8.

3.2 Montage auf einer DIN Befestigungsschiene

Die Module können auf einer DIN-Schiene 35 mm (DIN EN 50022) montiert werden.

3.2.1 Montage

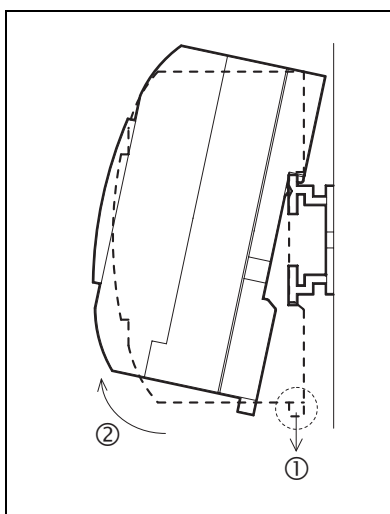
Abbildung 3.2: Montage



Klemmen Sie die Befestigungsschiene zuerst an der oberen Seite in die dafür vorgesehene Aussparung an der Steuerung (①) und drücken danach das Modul an der unteren Seite auf die Befestigungsschiene (②).

3.2.2 Demontage

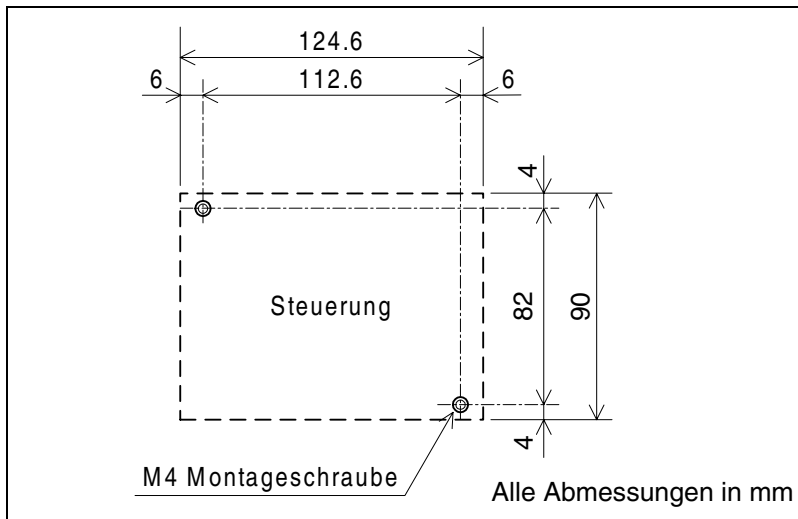
Abbildung 3.3: Demontage



Ziehen Sie den DIN-Schienehaken nach unten (①) und nehmen Sie die α 2-Steuerung von der DIN-Schiene ab (②).

3.3 Direktmontage

Abbildung 3.4: Direktmontage



GER

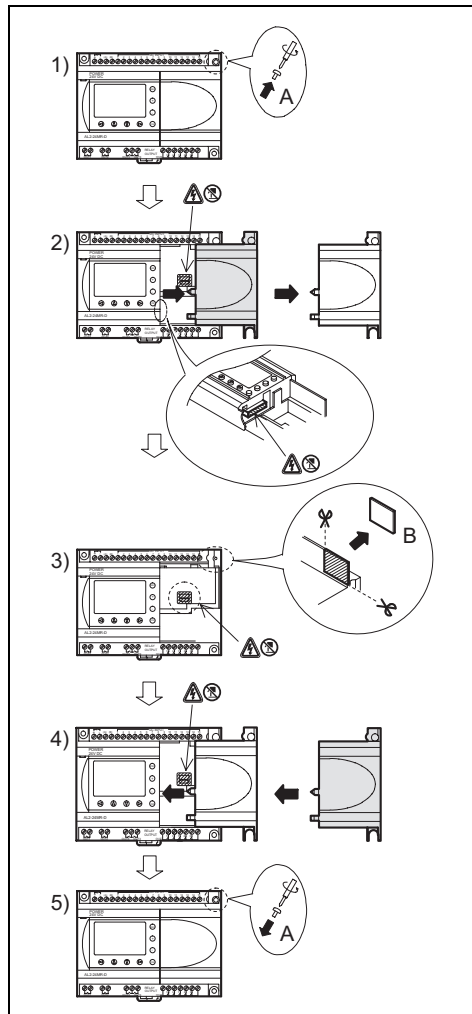
3.4 Installation der Erweiterungsmodule



Achtung

Trennen Sie alle Anschlüsse von der Spannungsversorgung, bevor Sie die Abdeckung entfernen.

Abbildung 3.5: Installation



- 1) Lösen Sie die Schraube „A“.
- 2) Entfernen Sie vorsichtig die Abdeckung des steckplatzes.
- 3) Schneiden Sie den Bereich „B“ aus dem Hauptmodul der $\alpha 2$ -Steuerung aus.
- 4) Montieren Sie das Erweiterungsmodul auf den Baugruppenträger.
- 5) Ziehen Sie die Schraube „A“ mit einem Anzugmoment von 0,4 Nm wieder an.

4. Verdrahtung

4.1 Hinweise zur Installationsverdrahtung



Obwohl die Verdrahtung der α 2-Steuerung denkbar einfach ist, darf nur speziell ausgebildetes Personal die elektrische Verdrahtung der Geräte vornehmen. Sollten Sie Unterstützung durch einen Techniker brauchen, wenden Sie sich an eine anerkannt ausgebildete Elektrofachkraft, die mit den nationalen Sicherheitsstandards der Automatisierungstechnik vertraut ist. Schalten Sie die Spannungsversorgung ab, bevor Sie mit der Verdrahtung beginnen.

- Die Ein- und Ausgangskabel dürfen nicht durch das gleiche Multikernkabel oder den gleichen Kabelbaum verlegt werden.
- Die Ein- und Ausgangskabel dürfen nicht in der Nähe von Hochspannungsleitungen verlegt werden.
- Die Eingangs- und Ausgangskabellänge muss weniger als 30 m betragen.

Berücksichtigen Sie Spannungsabfälle und Störungen, wenn die Eingangs- und Ausgangssignalkabel über große Entfernungen geführt werden. Stellen Sie sicher, dass für die Verdrahtung die richtigen Kabelgrößen verwendet werden.



Verwenden Sie zum Anziehen der Eingangsklemmen einen 3 mm Schlitzschraubendreher.

GER

4.2 Kabelgröße und Spezifikationen

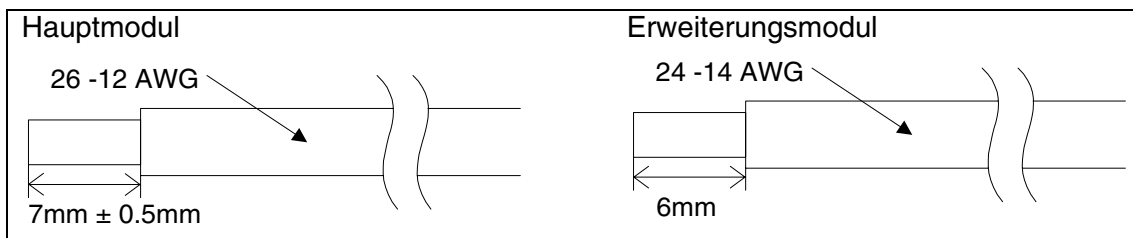
Für die Verdrahtung der Ein- und Ausgänge verwenden Sie bitte ausschließlich folgende Kabeltypen. Entfernen Sie die Isolierung der Kabelenden entsprechend der Angaben in der folgenden Tabelle (Siehe Tabelle 4.1 und Abbildung 4.1). Lösen Sie die Klemmschraube, bevor Sie ein Kabel anschließen. Stecken Sie das abisolierte Kabelende vollständig in die Schraubklemme, damit eine störungsfreie Verbindung gewährleistet ist.

Für die Schrauben der Klemmen verwenden Sie einen 3 mm Schlitzschraubendreher.

Tabelle 4.1: Kabelquerschnitt

	Kabelquerschnitt	Abisolierlänge
Hauptmodul	26–12 AWG (0,13–3,31 mm ²)	7 mm ± 0,5 mm
Erweiterungsmodul	24–14 AWG (0,2–2,5 mm ²)	6 mm ± 0,5 mm

Abbildung 4.1: Kabelquerschnitt



Anmerkung:

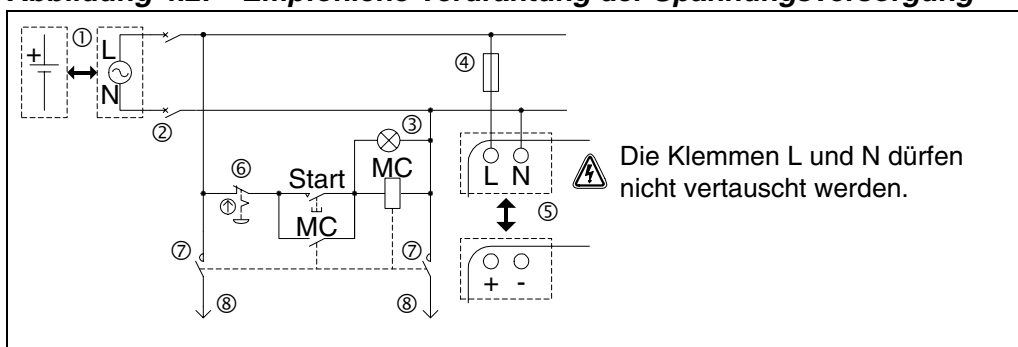
- Um eine Beschädigung der Leitungen zu vermeiden, drehen Sie die Klemmschrauben mit einem Drehmoment von 0,5 bis 0,6 Nm an.
- Bitte verwenden Sie keinen Lötzinn oder andere Substanzen auf dem abisolierten Kabelende, die zu einem Kabelbruch führen könnten.
 - Flexible Leitung: Isolierung entfernen, Aderendhülsen anbringen oder Litze verdrillen und Leitung anschließen
 - Starre Leitung: Isolierung entfernen und Leitung anschließen

4.3 Spannungsversorgung



- Beim Anschluss einer Wechselspannung (AC) muss der L-Leiter an die L-Klemme und der N-Leiter an die N-Klemme angeschlossen werden. Der L-Leiter darf niemals an die N-Klemme angeschlossen werden, weil dies für den Benutzer beim Einschalten des Gerätes zu einem lebensgefährlichen Stromschlag führen kann.
- Beim Anschluss einer Gleichspannung (DC) muss der positive Leiter an die (+)-Klemme und der negative Leiter an die (-)-Klemme angeschlossen werden. Der Anschluss der Spannungsversorgung darf auf keinen Fall an einer anderen Klemme des Gerätes erfolgen. Gleichstromversorgungseinheiten sollten die Steuerung mit 4 A versorgen können.

Abbildung 4.2: Empfohlene Verdrahtung der Spannungsversorgung



GER

Tabelle 4.2: Empfohlene Verdrahtung der Spannungsversorgung

Nr.	Beschreibung
①	Spannungsversorgung AL2-***-A: 100–240V AC, 50/60 Hz AL2-***-D: 24V DC
②	Schaltkreis-Schutzgerät
③	Anzeige für Spannung EIN
④	Überlastschutz max. Strom: 1,0 A
⑤	α2-Steuerung
⑥	NOT-AUS-Schalter
⑦	Magnetschalterkontakt
⑧	Spannungsversorgung für Last

4.4 AC-Spannungsversorgung und Eingangsverdrahtung

4.4.1 AC-Spannungsversorgung und Eingangsverdrahtung

Abbildung 4.3: AC-Spannungsversorgungs und Eingangsschaltung

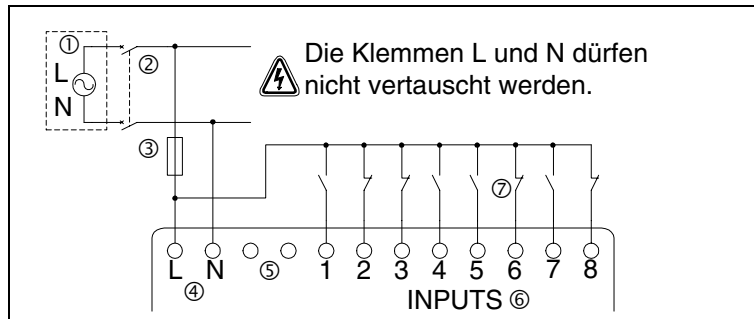


Tabelle 4.3: AC-Spannungsversorgung und Eingangsverdrahtung

Nr.	Beschreibung
①	AC-Spannungsversorgung: 100–240 V AC 50/60 Hz
②	Schaltkreis-Schutzgerät
③	Überlastschutz max. Strom: 1,0 A
④	AC-Spannungsklemmen
⑤	Nicht verwendete Klemmen
⑥	Eingangsklemmen
⑦	Digitaleingänge

4.4.2 AL2-4EX-A2 Eingangsverdrahtung

Abbildung 4.4: AL2-4EX-A2 Eingangsschaltung

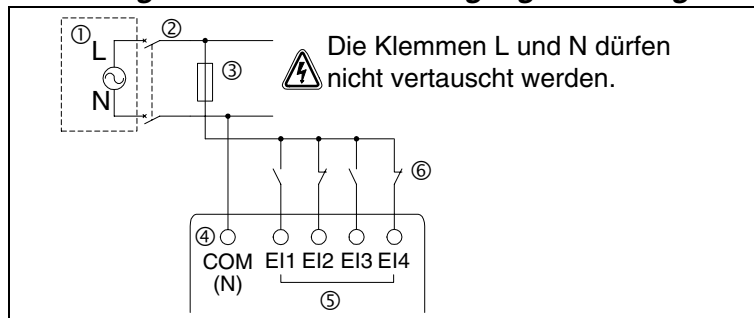


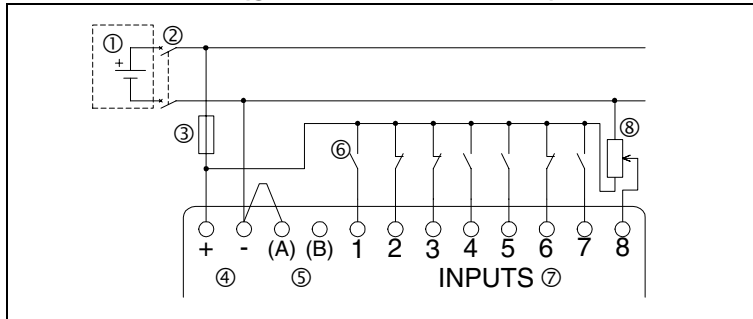
Tabelle 4.4: AC-Spannungsversorgung und Eingangsverdrahtung

Nr.	Beschreibung
①	AC-Spannungsversorgung: 220–240 V AC 50/60 Hz
②	Schaltkreis-Schutzgerät
③	Überlastschutz max. Strom: 1,0 A
④	COM (N)-Klemme
⑤	Eingangsklemmen
⑥	Digitaleingänge

4.5 DC-Spannungsversorgung und Eingangsverdrahtung

4.5.1 DC-Spannungsversorgung und Source-Eingangsverdrahtung (gemeinsamer „+“-Pol)

Abbildung 4.5: DC-Spannungsversorgung und Source Eingangsverdrahtung (gemeinsamer „+“-Pol)



GER

Tabelle 4.5: DC-Spannungsversorgung und Source-Eingangsverdrahtung (gemeinsamer „+“-Pol)

Nr.	Beschreibung
①	DC-Spannungsversorgung: 24 V DC
②	Schaltkreis-Schutzgerät
③	Überlastschutz max. Strom: 1,0 A
④	DC-Spannungsklemmen
⑤	Sink-/Source-Eingangsklemmen
⑥	Sensor-Eingangsklemmen
⑦	Eingangsklemmen
⑧	Analogeingang

4.5.2 AL2-4EX Source-Eingangsverdrahtung (gemeinsamer „+“-Pol)

Abbildung 4.6: AL2-4EX Source-Eingangsverkabelung (gemeinsamer „+“-Pol)

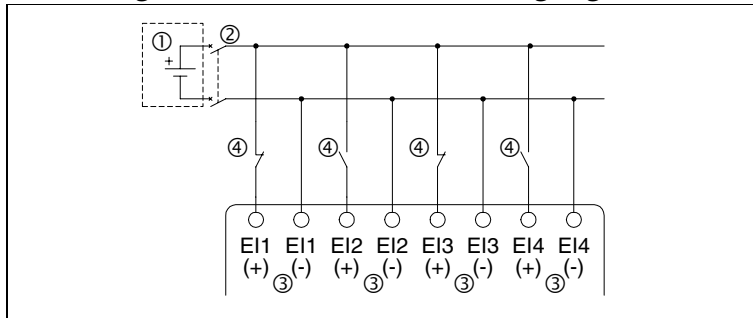


Tabelle 4.6: DC-Spannungsversorgung and Source-Eingangsverdrahtung (gemeinsamer „+“-Pol)

Nr.	Beschreibung
①	DC-Spannungsversorgung: 24 V DC
②	Schaltkreis-Schutzgerät
③	Eingangsklemmen
④	Sensor-Eingangsklemmen

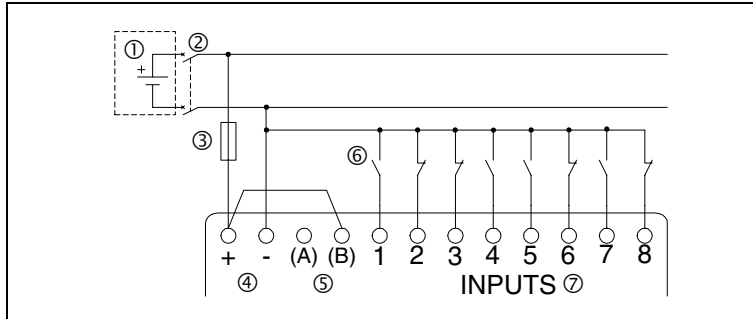


Anmerkung

Jede Eingangsklemme (E11 ~ E14) kann entweder als Source-Eingang oder als Sink-Eingang verwendet werden.

4.5.3 DC-Spannungsversorgung und Sink-Eingangsverdrahtung (gemeinsame Masse)

Abbildung 4.7: DC-Spannungsversorgung und Sink-Eingangsverdrahtung (gemeinsame Masse)



GER

Tabelle 4.7: DC-Spannungsversorgung und Sink-Eingangsverdrahtung (gemeinsame Masse)

Nr.	Beschreibung
①	DC-Spannungsversorgung: 24 V DC
②	Schaltkreis-Schutzgerät
③	Überlastschutz max. Strom: 1,0 A
④	DC-Spannungsklemmen
⑤	Sink-/Source-Eingangsklemmen
⑥	Sensor-Eingangsklemmen
⑦	Eingangsklemmen

4.5.4 AL2-4EX Sink Eingangsverdrahtung (gemeinsame Masse)

Abbildung 4.8: AL2-4EX Sink-Eingangsverdrahtung (gemeinsame Masse)

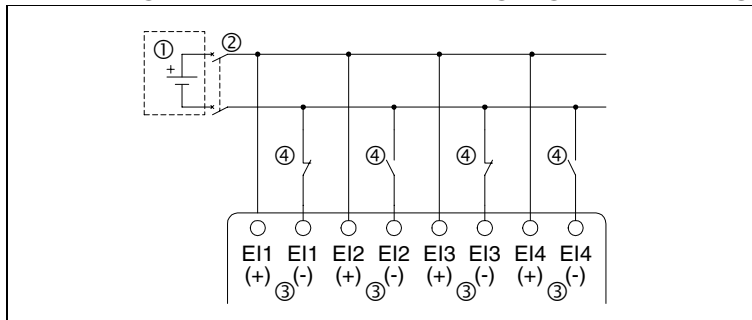


Tabelle 4.8: DC-Spannungsversorgung und Sink-Eingangsverdrahtung (gemeinsame Masse)

Nr.	Beschreibung
①	DC-Spannungsversorgung: 24 V DC
②	Schaltkreis-Schutzgerät
③	Eingangsklemmen
④	Sensor-Eingangsklemmen



Anmerkung

Jede Eingangsklemme (EI1 ~ EI4) kann entweder als Source-Eingang oder als Sink-Eingang verwendet werden.

4.6 Relais-/Transistor-Ausgangsverdrahtung

4.6.1 Relaisausgangsverdrahtung „Hauptmodul“ (AC und/oder DC)

Abbildung 4.9: Relaisausgangs-Schaltdiagramm „Hauptmodul“ (AC und/oder DC)

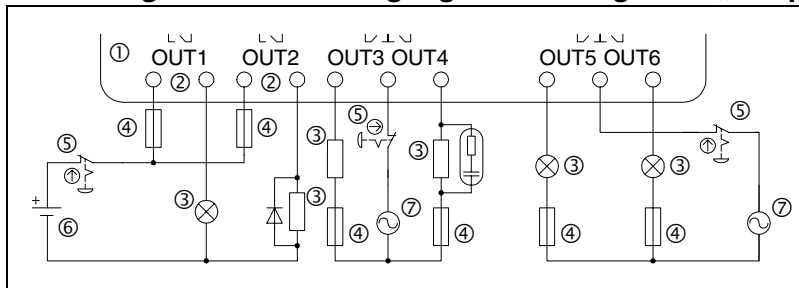


Tabelle 4.9: Relaisausgangsverdrahtung „Hauptmodul“ (AC und/oder DC)

Nr.	Beschreibung
①	α2-Steuerung
②	Von einander isolierte Ausgänge
③	Ausgangsgeräte
④	Sicherung (siehe Tabelle 4.10)
⑤	NOT-AUS-Schalter
⑥	DC-Spannungsversorgung
⑦	AC-Spannungsversorgung

Tabelle 4.10: Relaisausgang „Schutzschaltung“

Modell	Anzahl der Ausgänge	Max. Ohmsche Last	Schaltkreis-Schutz (Sicherung)
AL2-14MR-*	O01~O06	8 A / gesamt	≤ 10 A (Schaltkreis)
AL2-24MR-*	O01~O04		≤ 10 A (Schaltkreis)
	O05~O09	2 A / Klemme (4 A / gesamt)	≤ 3 A (Schaltkreis)

GER

4.6.2 Relaisausgangsverdrahtung AL2-4EYR (AC und/oder DC)

Abbildung 4.10: Relaisausgangsverdrahtung AL2-4EYR (AC und/oder DC)

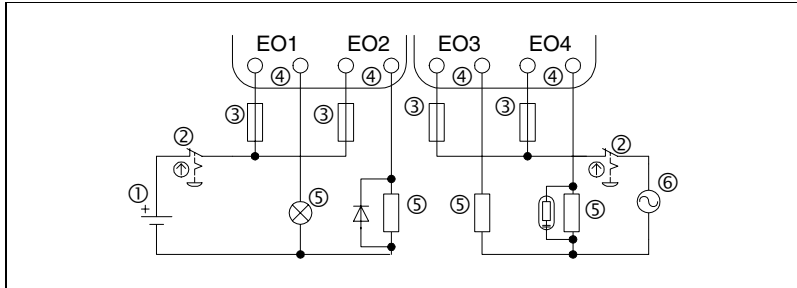


Tabelle 4.11: Relaisausgangsverdrahtung AL2-4EYR (AC und/oder DC)

Nr.	Beschreibung
①	DC-Spannung
②	NOT-AUS-Schalter
③	Sicherung (≤ 3 A)
④	Von einander isolierte Ausgänge
⑤	Ausgangsgeräte
⑥	AC-Spannung

Tabelle 4.12: Relaisausgang „Schutzschaltung“

Modell	Anzahl der Ausgänge	Max. Ohmsche Last	Schaltkreis-Schutz (Sicherung)
AL2-4EYR	EO1~EO4	2 A / Klemme	≤ 3 A (Schaltkreis)

4.6.3 AL2-4EYT Transistor-Ausgangsverdrahtung (nur Source <gemeinsamer „+“-Pol>)

Abbildung 4.11: AL2-4EYT Transistor-Ausgangsverdrahtung (nur Source <gemeinsamer „+“-Pol>)

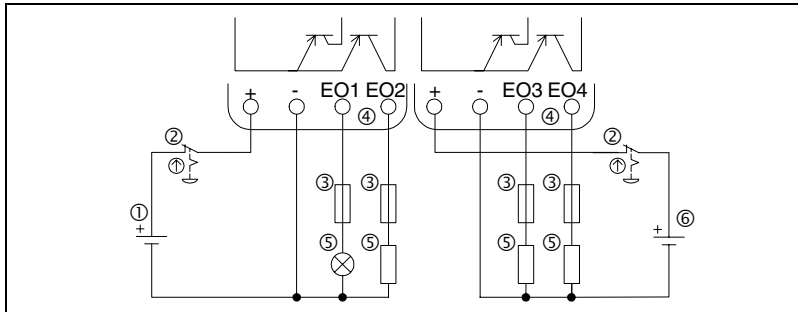


Tabelle 4.13: Transistor-Ausgangsverdrahtung

Nr.	Beschreibung
①	DC-Spannungsversorgung für Ausgänge, 24 V DC
②	NOT-AUS-Schalter
③	Schaltkreis-Schutzgerät (siehe Table 4.14)
④	Ausgangsklemmen
⑤	Ausgangsgeräte
⑥	DC-Spannungsversorgung für Ausgänge, 12 V DC

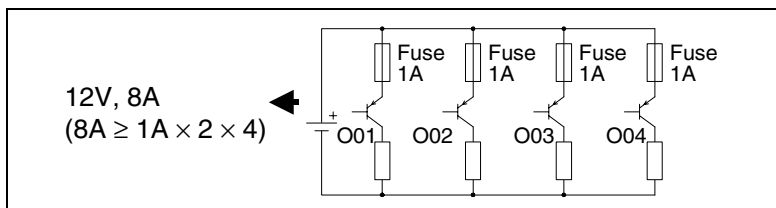
Tabelle 4.14: Schaltkreis-Schutz für Transistor-Ausgänge

Spannung	Schaltkreisschutz (Sicherung)
5V DC	≤ 0,3 A (Schaltkreis)
12V DC	≤ 2,0 A (Schaltkreis) *1
24V DC	≤ 2,0 A (Schaltkreis) *1



*1 Belastbarkeit der Spannungsquelle ≥ Sicherungsstärke × 2

Abbildung 4.12: Beispielberechnung der Sicherungsstärke



Anmerkung:

Tabelle 4.15: Hinweise zur Ausgangsklemme

Volt	Hinweise zur Ausgangsklemme
5	Alle Ausgangsklemmen können in einem Schaltkreis verdrahtet werden.
12-24	Alle Ausgangsklemmen können in einem Schaltkreis verdrahtet werden.
5,12, 24	Für jeden der drei Spannungsbereiche muss ein separater Schaltkreis realisiert werden.

MEMO

5. Klemmenbelegung

Abbildung 5.1: AL2-14MR-A, AC-Eingang, Relais-Ausgang

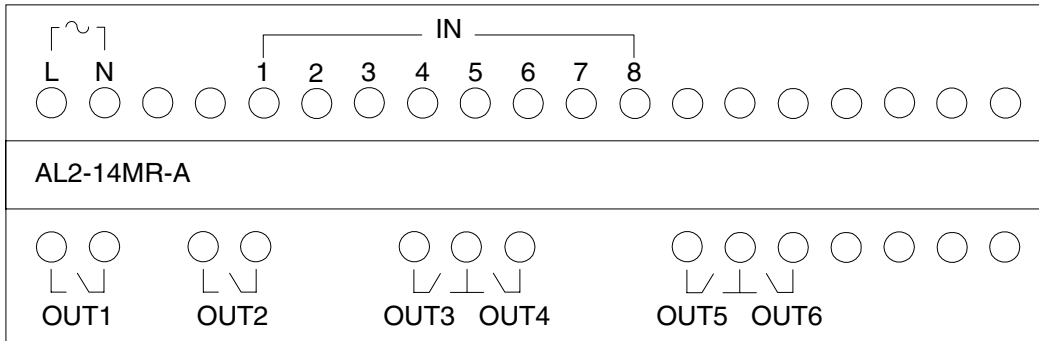


Abbildung 5.2: AL2-14MR-D, DC-Eingang, Relais-Ausgang

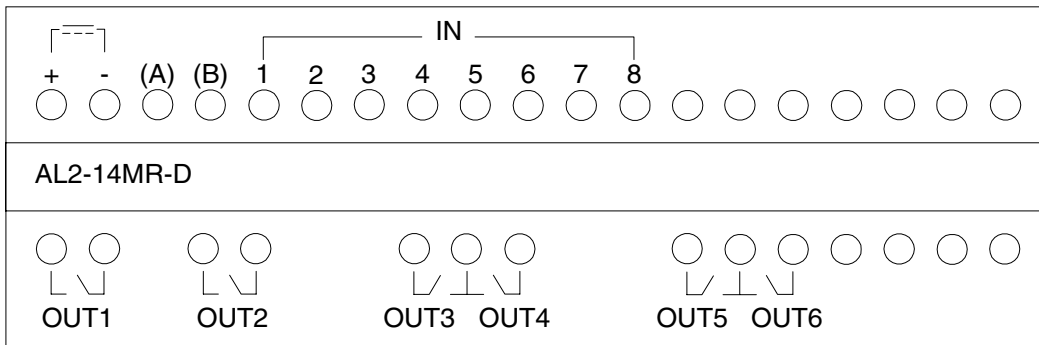


Abbildung 5.3: AL2-24MR-A, AC-Eingang, Relais-Ausgang

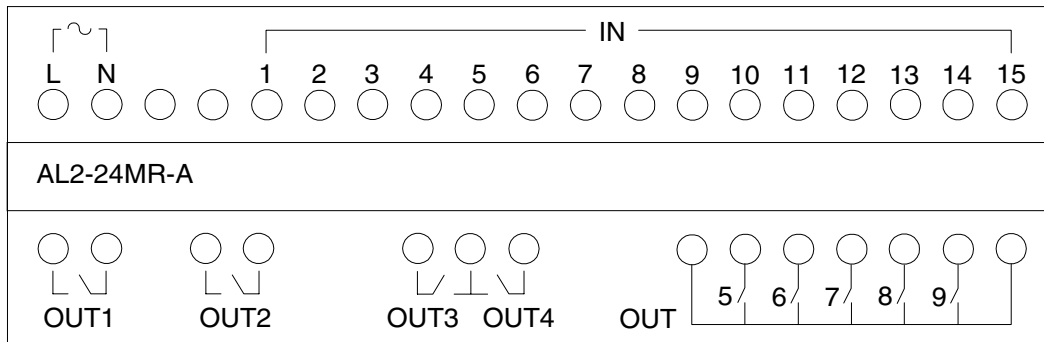
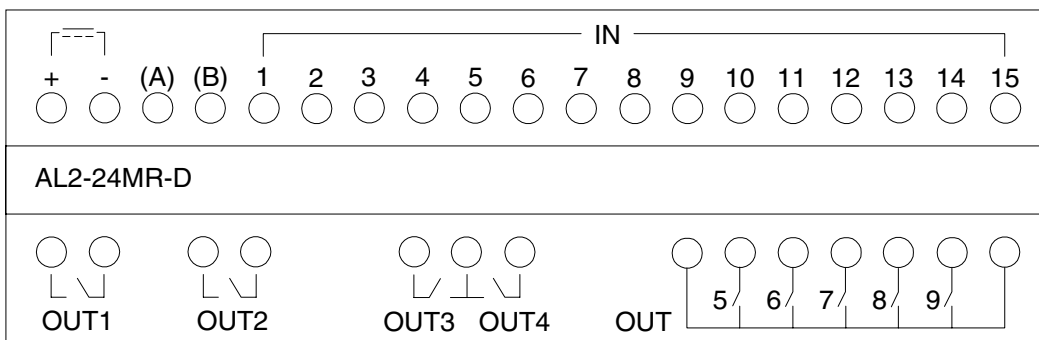


Abbildung 5.4: AL2-24MR-D, DC-Eingang, Relais-Ausgang



GER

Abbildung 5.5: AL2-4EX-A2, 220-240V AC-Eingang

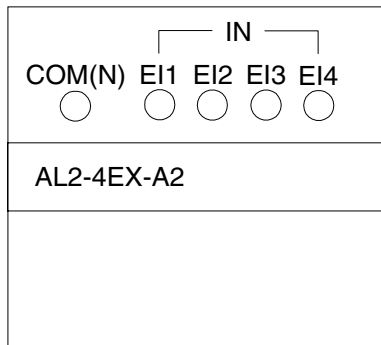


Abbildung 5.6: AL2-4EX, DC-Eingang

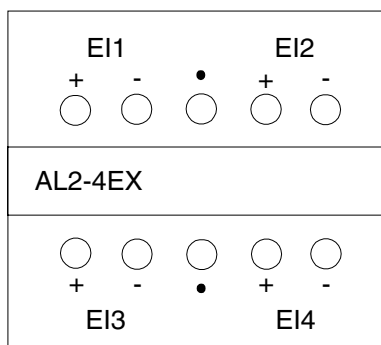


Abbildung 5.7: AL2-4EYR, Relais-Ausgang

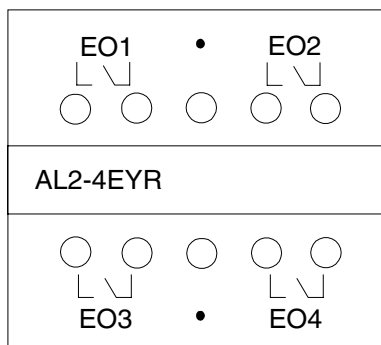
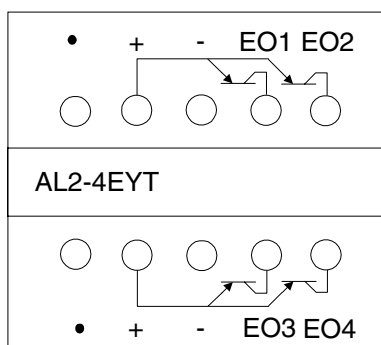


Abbildung 5.8: AL2-4EYT, Transistor-Ausgang



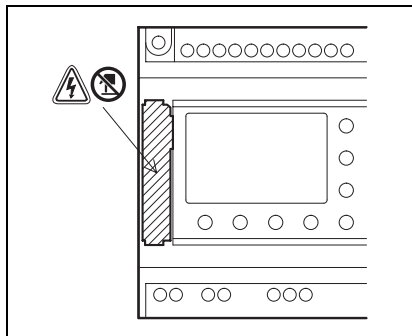
6. AL2-EEPROM-2

Die Speicherkassette AL2-EEPROM-2 darf nur in den α2-Steuerungen (Modell: AL2-**M*-*) verwendet werden.



Achtung

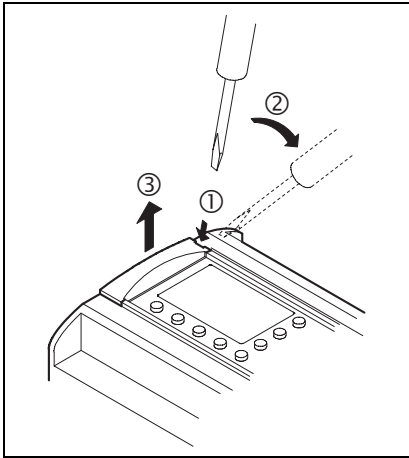
- Nur speziell ausgebildetes Personal, das mit den lokalen und nationalen Standards vertraut ist, darf die Speicherkassette auswechseln.
- Schalten Sie die Spannung aus, bevor Sie die Speicherkassette installieren oder herausnehmen.
- Bringen Sie nach dem Herausnehmen der Speicherkassette die Abdeckung wieder an.
- Achten Sie darauf, dass Sie sich beim Einsetzen der Abdeckung oder der Speicherkassette nicht die Finger klemmen.
- Greifen Sie nach dem Entfernen der Abdeckung oder der Speicherkassette NICHT in die Öffnung.



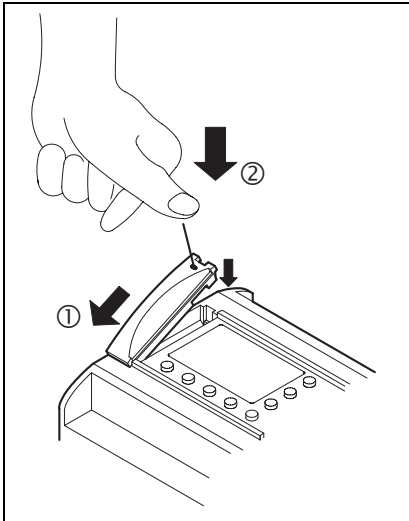
GER

6.1 Installation

1) Entfernen der Abdeckung oder Herausnehmen der Speicherkassette



2) Anbringen der Abdeckung oder Einsetzen der Speicherkassette



7. AL-232CAB

7.1 Einleitung

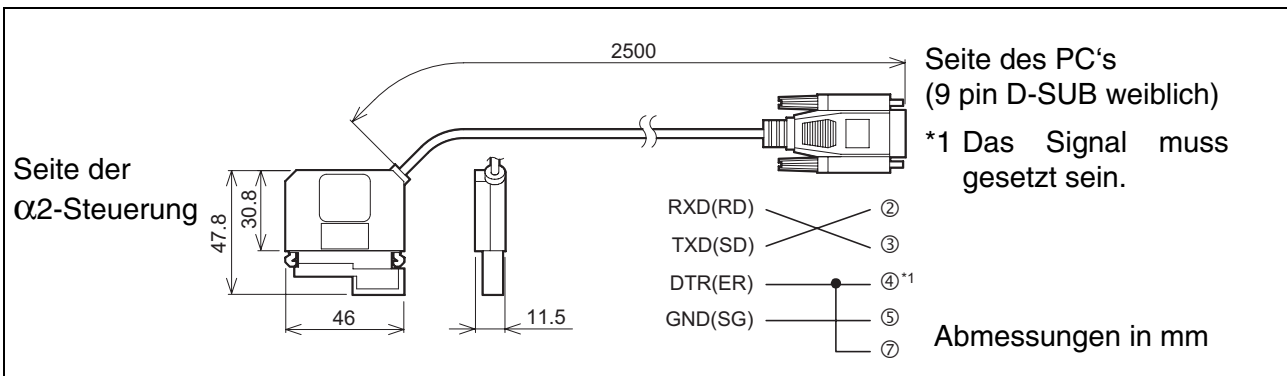
Das Kabel AL-232CAB ist ein RS-232C-Kabel. Es verbindet die α-Steuerung (α, α2) mit dem Personal-Computer, auf dem sich die Programmiersoftware befindet.



Anmerkung

- Das Kabel AL-232CAB kann für keine andere Verbindung verwendet werden.
- Das Kabel AL-232CAB steht montiert 40 mm aus der Bedienoberseite der α2-Steuerung hervor.

7.1.1 Abmessungen



GER

7.2 Verbindung mit dem Kabel AL-232CAB



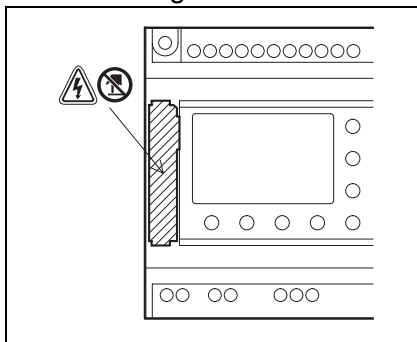
Entfernen Sie die Abdeckung oder nehmen Sie die Speicherkassette heraus.

- Achten Sie darauf, dass Sie sich beim Entfernen der Abdeckung oder der Speicherkassette mit dem Werkzeug nicht die Hand verletzen.

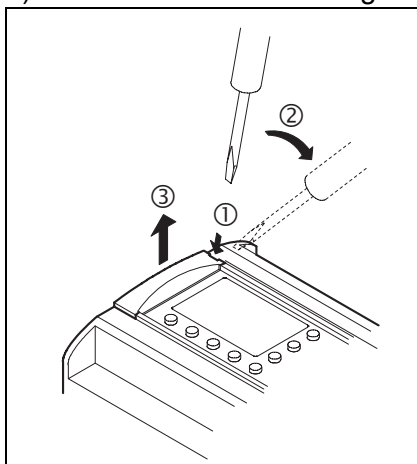


Achtung

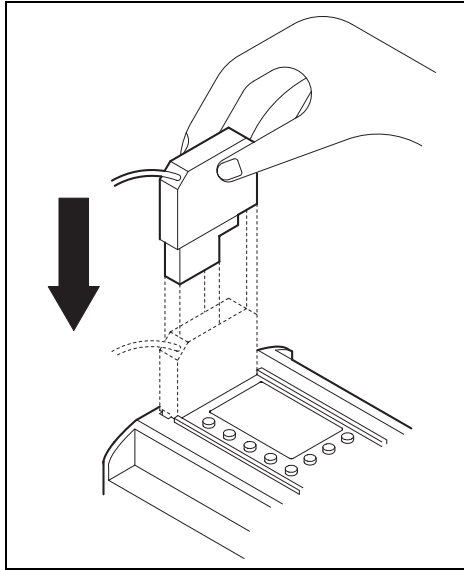
- Schalten Sie die Spannung aus, bevor Sie das Kabel AL-232CAB installieren oder entfernen.
- Bringen Sie die Abdeckung wieder an oder setzen Sie die Speicherkassette ein, nachdem Sie das Kabel AL-232CAB entfernt haben.
- Achten Sie darauf, dass Sie sich beim Einsetzen der Abdeckung oder der Speicherkassette nicht die Finger klemmen.
- Ziehen Sie zum Entfernen des Kabel am Steckergehäuse. Ziehen Sie niemals am Kabel.
- Greifen Sie nach dem Entfernen der Abdeckung oder der Speicherkassette NICHT in die Öffnung.



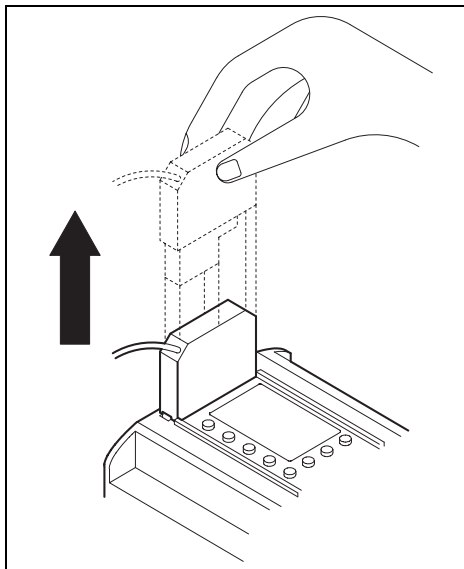
1) Entfernen der Abdeckung oder Herausnehmen der Speicherkassette



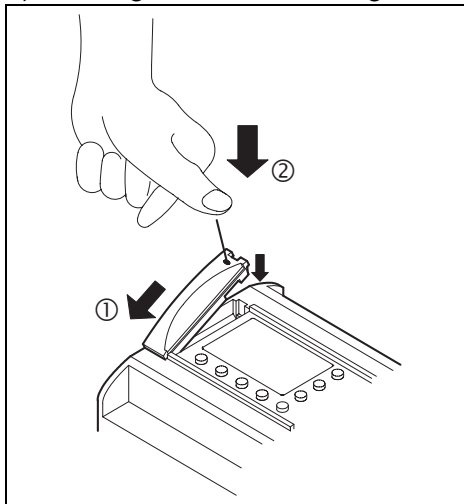
2) Verbinden des Kabels AL-232CAB



3) Entfernen des Kabels AL-232CAB



4) Anbringen der Abdeckung oder Einsetzen der Speicherkassette



GER

MEMO

8. AL2-GSM-CAB

8.1 Einleitung

Das AL2-GSM-CAB wird verwendet, um die α 2-Steuerung mit einem normalen oder einem GSM-Modem zu verbinden. Es kann SMS-Daten an ein GSM-Modem zur Weiterleitung an Mobiltelefone oder Email-Adressen übertragen.

Es ermöglicht weiterhin Remote-Überwachungs-Funktionen und mit normalen Modems Programm-Übertragungen.

Weitere Informationen entnehmen Sie bitte dem Programmierhandbuch oder dem Software-Handbuch zur α 2-Steuerung.

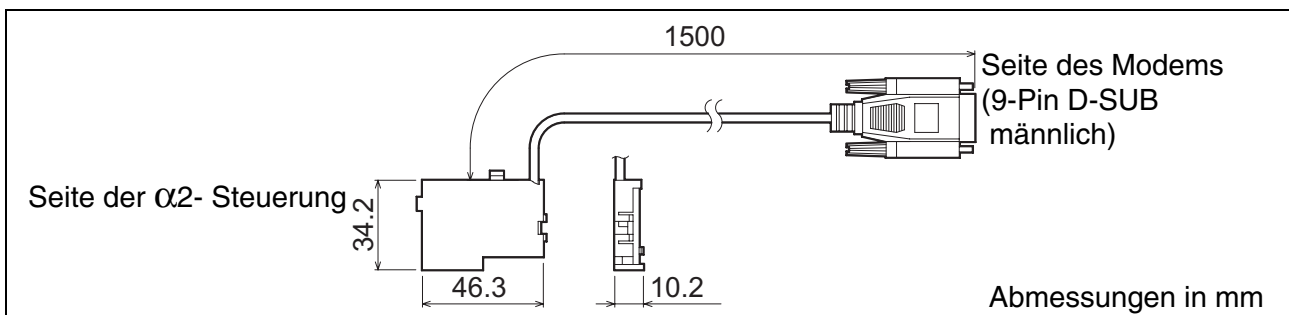


Hinweise:

- Dieses Kabel kann nicht anderweitig verwendet werden.
- Dieses Kabel kann nicht in Verbindung mit der α -Steuerung verwendet werden. (Modell: AL-**M*-*.)
- Eine gleichzeitige Kommunikation über diese Schnittstelle und die Programmierschnittstelle der α 2-Steuerung kann zur Beschädigung des Programms oder einer Fehlfunktion der Steuerung führen.

8.1.1 Abmessungen

Abbildung 8.1: Abmessungen



8.1.2 Systemkonfiguration bei Verwendung des AL2-GSM-CAB

Abbildung 8.2: Systemkonfiguration mit AL2-GSM-CAB

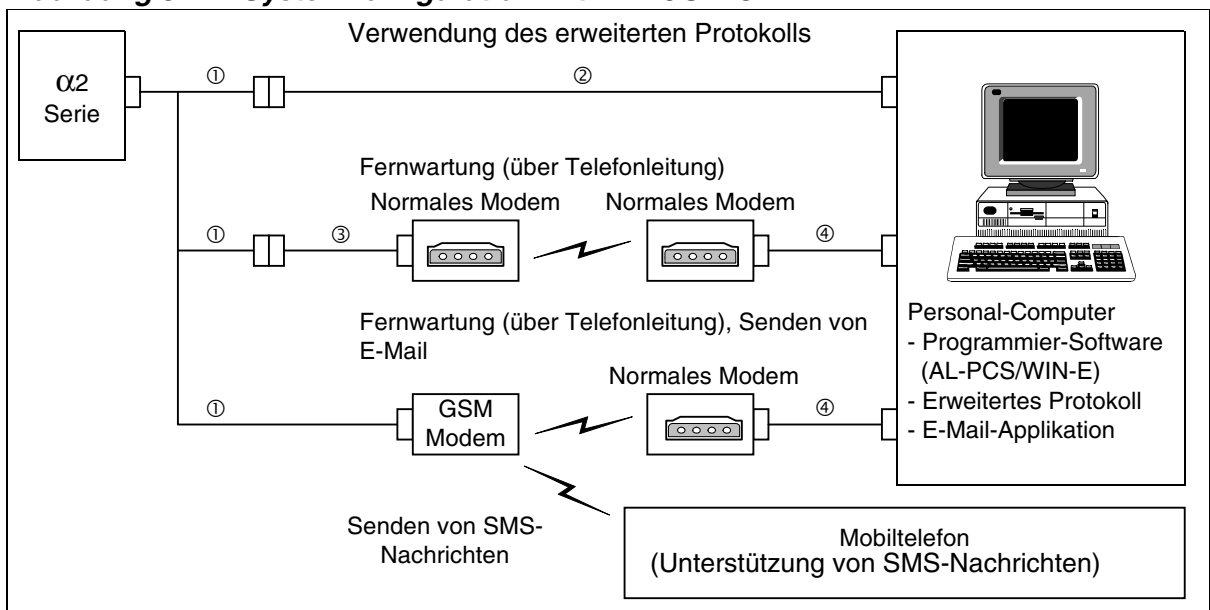
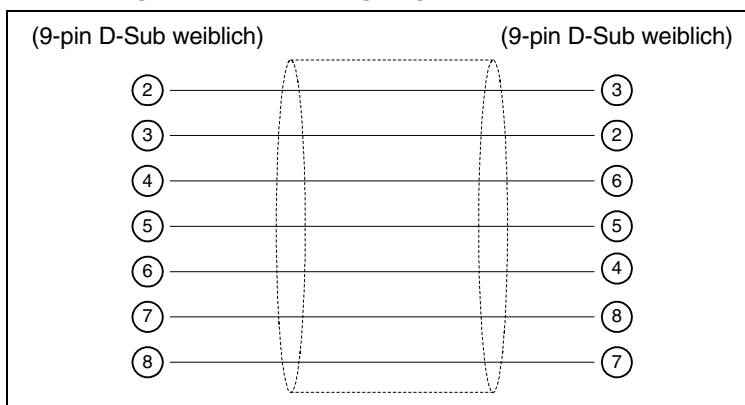


Tabelle 8.1: Systemkonfiguration mit AL2-GSM-CAB

Nummer	Zu verwendendes Kabel
①	AL2-GSM-CAB
②	RS-232C serielles Kabel (Vgl. Abb. 8.3)
③	RS-232C Modemkabel (Vgl. Abb. 8.5)
④	RS-232C Modemkabel (Bestimmt durch Modemhersteller)

Abbildung 8.3: Pin-Belegung des RS-232C seriellen Kabels



Anmerkungen:

Die Signale 4 und 7 müssen auf der Seite des PCs auf High-Level eingestellt sein. Sind diese Signale nicht so eingestellt, ist eine Kommunikation mit der α2-Steuerung nicht möglich.

8.2 Installation

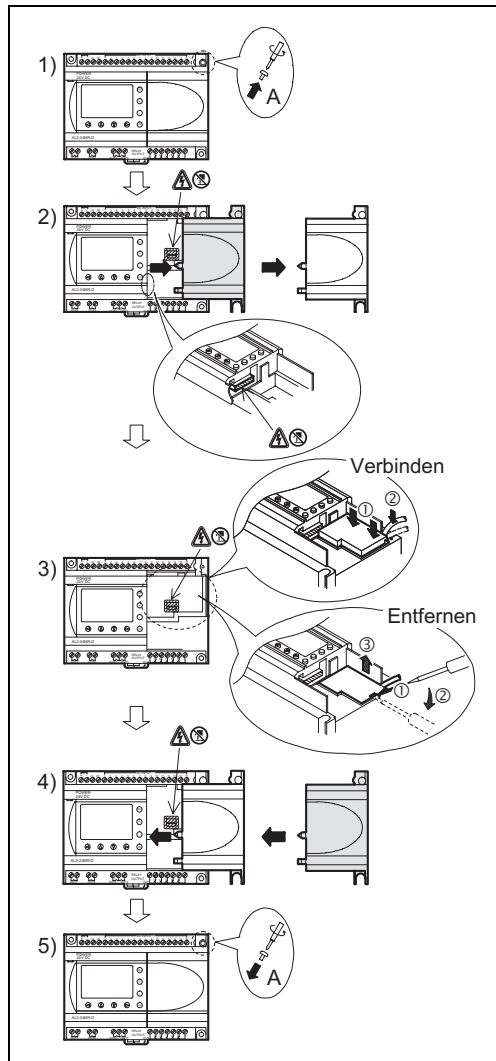
Bitte beachten Sie beim Anschluss des AL2-GSM-CAB die Abb. 8.4 auf der folgenden Seite.



Vorsicht

- Das AL2-GSM-CAB darf nur von Personen installiert oder entfernt werden, die mit den nationalen elektrotechnischen Bestimmungen vertraut sind.
- Schalten Sie die Spannungsversorgung ab, bevor Sie das Kabel anschließen oder entfernen.
- Bringen Sie nach der Installation oder der Deinstallation des AL2-GSM-CAB die Abdeckung wieder an.
- MITSUBISHI ELECTRIC übernimmt unter keinen Umständen die Haftung oder Verantwortung für einen Schaden, der aus einer unsachgemäßen Installation oder Anwendung der Geräte oder des Zubehörs entstanden ist.
- Ziehen Sie nicht an dem Kabel, da dieses dadurch beschädigt werden kann.
- Bei der Kommunikation mit der α2-Steuerung über ein GSM-Modem muss die Spannungsversorgung beider Geräte gleichzeitig eingeschaltet werden. Ist dies nicht der Fall, kann die α2-Steuerung nicht über das Modem kommunizieren.
- Trennen Sie alle Anschlüsse von der Spannungsversorgung, bevor Sie die Abdeckung entfernen.

GER

Abbildung 8.4: Installation

- 1) Lösen Sie Schraube „A“ und bewahren Sie sie für spätere Verwendung auf.
- 2) Entfernen Sie vorsichtig die Abdeckung oder das Erweiterungsmodul.
- 3) Stecken Sie das AL2-GSM-CAB an den dafür vorgesehenen Steckplatz und verlegen Sie vorsichtig das Kabel in den dafür vorgesehenen Kanal.
- 4) Bringen Sie die Abdeckung oder das Erweiterungsmodul vorsichtig wieder an. Achten Sie dabei darauf, dass Sie das AL2-GSM-CAB nicht beschädigen.
- 5) Setzen Sie Schraube „A“ wieder ein und befestigen Sie sie mit einem Drehmoment von 0.4 Nm.

8.3 Fernwartung über ein Modem

Weitere Informationen zur Modemin Installation entnehmen Sie bitte dem Programmier-handbuch der α2-Steuerung. Die Programmier-Software (AL-PCS/WIN-E) bietet die leichteste Modemin Installation.

8.3.1 Empfohlene Modems

Die folgenden Modems wurden erfolgreich getestet:

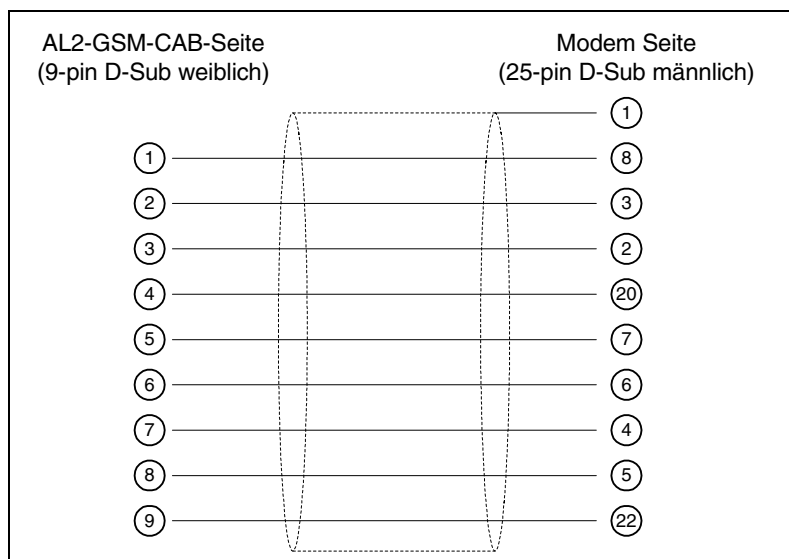
Tabelle 8.2: Getestete Modems

Hersteller	Modelltyp	Modembefehl (AT-Befehl)
3com	SP560V-P	ATE0Q1&B1&D0H0&I0&R1&S0S0=2S15=8&W
OMRON	ME3314	ATE0S0=2Q1&D0S15=8&R1&H0&W
AIWA	PV-AF3360	ATE0S0=2Q1&D0&M5\Q0\J0&W
Siemens	M20T	ATE0S0=2&S0;+IFC=0,0;+CMEE=1;+IPR=9600&W

GER

8.3.2 RS-232C-Kabel zwischen Modem und AL2-GSM-CAB

Abbildung 8.5: RS-232C-Kabelbelegung zwischen Modem und AL2-GSM-CAB



8.3.3 Modemeinstellungen

- 1) PC-Einstellungen
Installieren Sie den korrekten Modemtreiber.
- 2) Modemeinstellungen an der α 2-Steuerung
Das Modem der α 2-Steuerung wird durch den Modem-Initialisierungsbefehl der Steuerung aktiviert.
 - a) Zu den Modembefehlen (AT-Befehl)
Verwenden Sie den AT-Befehl zur Initialisierung des Modems. Details zu dem AT-Befehl entnehmen Sie bitte dem Handbuch zu dem verwendeten Modem. AT-Befehle für die Auswahl des Modems sind in den Tabellen 8.4 (Normales Modem) und 8.5 (GSM-Modem) aufgeführt.

Tabelle 8.3: Getestete Modems

Hersteller	Modelltyp	Modembefehl (AT-Befehl)
3com	SP560V-P	ATE0Q1&B1&D0H0&I0&R1&S0S0=2S15=8&W
OMRON	ME3314	ATE0S0=2Q1&D0S15=8&R1&H0&W
AIWA	PV-AF3360	ATE0S0=2Q1&D0&M5\Q0\J0&W
Siemens	M20T	ATE0S0=2&S0;+IFC=0,0;+CMEE=1;+IPR=9600&W

Weitere Informationen zur Aktivierung des Modems finden Sie im Programmierhandbuch zur α 2-Steuerung.

Verwenden Sie ein Modem, welches sich nicht in der oben aufgeführten Liste befindet, verwenden Sie den AT-Befehl, um folgende Voraussetzungen einzustellen:

Tabelle 8.4: AT-Befehl für normale Modems

Einstellvoraussetzung	Einstellung	Beispieleinstellungen		
		SP560V-P	ME3314	PV-AF3360
Befehlsecho	Aus	E0	E0	E0
Anzahl der Klingelzeichen bis zum automatischen Abheben	Zwei	S0=2	S0=2	S0=2
Rückmeldungen des Modems	Keine	Q1	Q1	Q1
DTR-Steuerung	Immer EIN	&D0	&D0	&D0
DSR-Steuerung	Immer EIN	&S0		
Modem-Protokoll	V.42bis	S15=8	S15=8	&M5
Übertragungsrate	Fest	&B1	\J0	
Terminal-Flusssteuerungsschema	Keine	-&R1	\Q0	
Flusssteuerung der übertrg. Daten	Keine	&H0	&H0	-
Flusssteuerung der empfangenen Daten (Software)	Keine	&I0		
Flusssteuerung der empfangenen Daten (RTS-Steuerung)	Keine	&R1		
Aktuelle Parameter für verwendetes Profil speichern	Speichern im permanenten Speicher	&W	&W	&W

Tabelle 8.5: AT-Befehle für GSM-Modems

Einstellvoraussetzung	Einstellung	Beispiel-einstellung
		M20T
Befehlsecho ermöglichen	Echomodus AUS	E0
Einstellung der Anzahl der Rufe vor dem automatischen Antworten	Automatisches Antworten nach zweimaligem Läuten	S0=2
Einstellung des (DSR) Funktionsmodus	DSR immer EIN	&S0
Einstellung der TE-TA lokalen Datenflusssteuerung	<ul style="list-style-type: none"> • Auswahl der Methode, die TE verwendet, wenn Daten von TA empfangen werden: Keine • Auswahl der Methode, die TA verwendet, wenn Daten von TE empfangen werden: Keine 	+IFC=0,0
Fehler im Mobil-Equipment melden	Ergebniscode freigeben und numerischen Wert verwenden	+CMEE=1
Feste lokale Rate festlegen	Baud-Rate: 9600 bps	+IPR=9600
Betriebsart des DCD-Signals* ¹	DCD-Leitung ist EIN bei Vorhandensein des Datenträgersignals	&C1
Wähle Service-Typ* ¹	9600 bps (V.32), Asynchron-Modus, nicht-transparent	+CBST=7,0,1
Aktuelle Parameter für verwendetes Profil speichern	Die benutzerdefinierten Einstellungen werden im permanenten Speicher gesichert.	&W

*1 Für das Siemens M20T sind diese Einstellungen nicht erforderlich, da es sie bereits als Grundeinstellungen verwendet. Bei der Verwendung anderer Modems könnten diese Einstellungen erforderlich werden.

b) Aktivierungszeit für das Modem während des Bootens

Die α2-Steuerung besitzt eine Verzögerungsschaltung, die die Übertragung des Modembefehls beim Booten von der Steuerung zum Modem verzögert. Die Verzögerung kann auf eine Zeit zwischen 0–10 Sekunden eingestellt werden. Diese Option garantiert eine erfolgreiche Aktivierung des Modems, falls der Bootvorgang des Modems länger dauert als der der α2-Steuerung.

Weitere Informationen zum Modembetrieb entnehmen Sie bitte dem α2-Programmierhandbuch und dem α-Software-Handbuch.

GER

MEMO

9. AL2-ASI-BD

Das AL2-ASI-BD Aktor-Sensor-Interface-Modul (im Folgenden AL-ASI-BD genannt) dient in Verbindung mit α 2-Steuerungen der Datenkommunikation über ein Aktor-Sensor-Interface (AS-Interface)-Netzwerk.

Weitere Informationen entnehmen Sie bitte dem Programmierhandbuch zur α 2-Steuerung.



Achtung

- Nur speziell ausgebildetes Personal, das mit den nationalen Standards vertraut ist, darf die AL2-ASI-BD auswechseln.
- Schalten Sie die Spannung aus, bevor Sie die AL2-ASI-BD installieren oder herausnehmen.
- Bringen Sie nach dem Herausnehmen der AL2-ASI-BD die Abdeckung wieder an.
- MITSUBISHI ELECTRIC EUROPE B.V. schließt jegliche Haftung für Schäden aus, die durch die Installation oder Verwendung der beschriebenen Produkte zustande kommen.

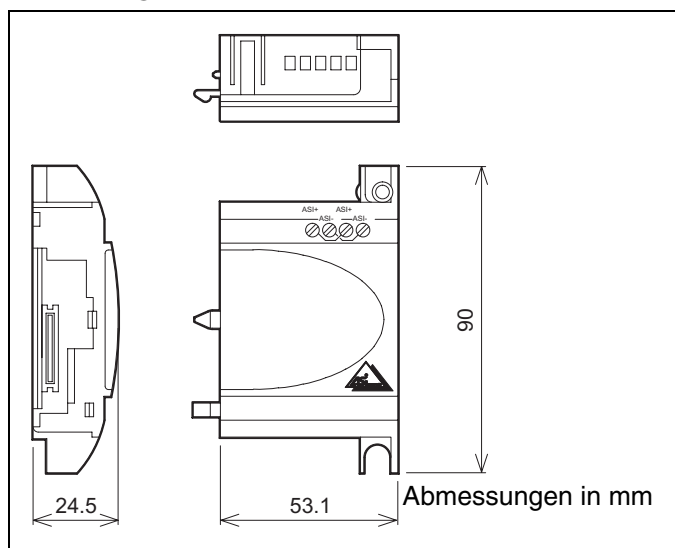
GER

9.1 Einführung

Das AL2-ASI-BD wird auf ein α -Grundmodul aufgesteckt und bildet eine Slave-Station innerhalb des AS-Interface-Netzwerks (4 Eingänge, 4 Ausgänge). Bis zu 31 ASI-Slaves lassen sich in einem AS-Interface-Netzwerk ansteuern. Die Spannungsversorgung erfolgt über den AS-Interface-Bus durch die AS-Interface-Spannungsversorgung. Das Kommunikationssignal wird über die Spannungsversorgung des AS-Interface-Bus gegeben.

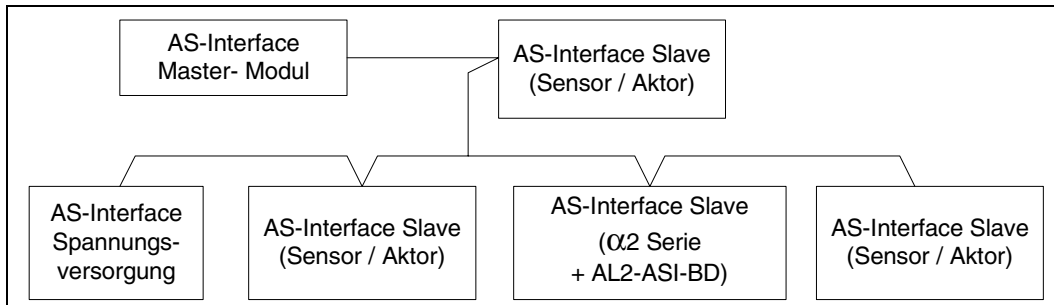
9.1.1 Maße

Abbildung 9.1: Maße



9.1.2 Systemkonfiguration

Abbildung 9.2: Systemkonfiguration



9.2 Technische Daten

Die allgemeinen Daten entnehmen Sie bitte dem Kapitel 2 .

Tabelle 9.1: Leistungsmerkmale Hardware-Kommunikation

Merkmal	Inhalt
Anzahl E/A-Adressen	4 Eingänge (Ein. E01–E04) 4 Ausgänge (Aus. A01–A04)
E/A-Aktualisierungszeit	Max. 5 ms
Netzwerkausdehnung	Max. 100 m
Externe Spannungsversorgung	Typ. 30,5 V DC (AS-Interface-Spannungsversorgung)
Externe Stromaufnahme	Max. 40 mA
EC-Richtlinie	EMC
Tests	ASi

Tabelle 9.2: Leistungsmerkmale Software-Kommunikation

Merkmal	Inhalt
Stationsnummer	Einstellung durch Master (Werkseinstellung 0)
E/A-Code	7
ID-Code	F
Daten-Bit	D0–D3 Eingang/Ausgang 01–04 (E01–E04, A01–A04)
Parameter-Bit	P0 Kommunikationsüberwachung (erfolgt werkseitig) ^{*1}
	P1,P2,P3 Entfällt
System-Bit	M6 „EIN“, wenn Kommunikationsfehler des AS-Interface auftritt
	M7 „EIN“, wenn Kommunikationsfehler durch AS-Interface-Spannungsabfall auftritt
Kontroll-Bit	N1 ON: Nicht mit dem AS-Interface Netzwerk verbunden OFF: Mit dem AS-Interface Netzwerk verbunden

*1 Eingangssignal-Reset-Funktion (E01–E04) erfolgt, wenn die Kommunikation für mindestens 70 ms unterbrochen ist

9.3 Anschluss und Installation

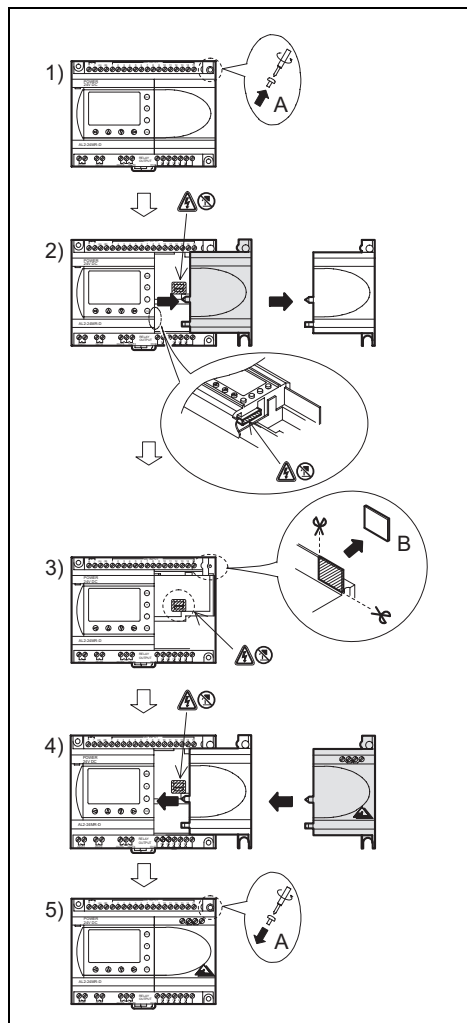
9.3.1 Installation



Achtung

Trennen Sie alle Anschlüsse von der Spannungsversorgung, bevor Sie die Abdeckung entfernen.

Abbildung 9.3: Installation



- 1) Entfernen Sie die Schraube „A“.
- 2) Entfernen Sie die Abdeckung vorsichtig.
- 3) Schneiden Sie den Bereich „B“ aus dem Grundmodul der α2-Steuerung aus.
- 4) Stecken Sie das AL-ASI-BD auf das Grundmodul.
- 5) Ziehen Sie die Schraube „A“ mit einem Drehmoment von 0.4 Nm wieder an.

GER

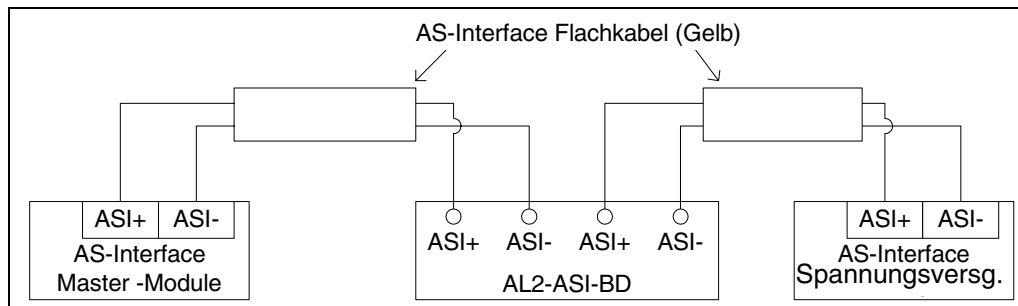
9.3.2 Verdrahtung



Verwenden Sie das AS-Interface-Flachkabel (gelb) zur Verbindung des AL-ASI-BD mit dem Netzwerk.

Bei Anschluss des AS-Interface-Kabels ziehen Sie die Anschlussklemmen mit einem Anzugmoment von 0.5 ~ 0.6 Nm an.

Abbildung 9.4: Verdrahtung



9.4 Einstellung der Slave-Adresse und Fehlerdiagnose

9.4.1 Einstellung der Slave-Adresse

Die Slave-Adresse des AL2-ASI-BD kann entweder durch den AS-Interface-Master oder ein Programmiergerät eingestellt werden. Wird eine neue Slave-Station mit dem AS-Interface-Bus verbunden, weist der Master dieser die unterste freie Adresse zu.

Der Adressbereich reicht von 1 bis 31 und kann nur einer Slave-Station mit der Adresse 0 (Null) zugewiesen werden. Neue Module sind werkseitig auf die Adresse 0 voreingestellt. Falls einem Modul bereits eine andere Adresse als 0 zugewiesen wurde, muss es auf 0 zurückgesetzt werden, bevor es mit dem Netzwerk verbunden wird.

Näheres zur Änderung der Slave-Stationennummer durch den AS-Interface-Master erfahren Sie im jeweiligen Handbuch des verwendeten AS-Interface Master-Moduls.

Es können mehrere Slave-Stationen gleichzeitig im Netzwerk installiert werden. Alle diese Stationen bis auf eine werden als passive Module eingestellt (Einstellung N1=1). Wird das Netzwerk wieder in Betrieb genommen, können die Slave-Stationen einzeln aktiviert werden (Einstellung N1=0). Hierbei weist der Master der Slave-Station die Stationsnummer zu.

9.4.2 Fehlerdiagnose

1) Bei Auftreten eines Kommunikationsfehlers (M6):

- Überprüfen Sie den Anschluss an den AS-Interface-Master.
- Überprüfen Sie die Slave-Stationennummer.

2) Bei Auftreten eines Fehlers in der Spannungsversorgung (M7)

- Überprüfen Sie den Anschluss des AS-Interface-Kabels an jeder betroffenen Station.
- Überprüfen Sie die AS-Interface-Spannungsversorgung.

10. Tasten, System-Bit und Funktionsblock-Listen

10.1 Übersicht der Tastaturbelegung

Die folgende Liste beinhaltet die Tasten und ihre jeweilige Anwendung im Menu und im Benutzerprogramm. Weitere Informationen entnehmen Sie bitte dem Programmierhandbuch der α2-Steuerung.

Tabelle 10.1: Funktionstastenliste

Taste	Tasten-nummer	Tasten-Hauptfunktion
OK	K01	Bestätigung bei Dateneingabe, Menüoptionen oder Programmwahl
ESC	K02	Abbruch des aktuellen Vorgangs, Wechsel zu einer höheren Bildschirmanzeige oder einem höheren Menü
+	K03	Verbinden von zwei Funktionsblöcken, Wechsel zu höheren Programmblöcken, Vergrößern von Werten
-	K04	Trennen von zwei Funktionsblöcken, Wechsel zu niedrigeren Programmblöcken, Verringern von Werten
▲	K05	Nach oben scrollen (Tasten, FB, Eingänge, Ausgänge, etc.)
▼	K06	Nach unten scrollen (Tasten, FB, Eingänge, Ausgänge, etc.)
▶	K07	Auf der LCD-Anzeige, im FB-Programm oder bei einem Sprungbefehl nach rechts scrollen
◀	K08	Auf der LCD-Anzeige, im FB-Programm oder bei einem Sprungbefehl nach links scrollen

GER

10.2 System- und Kontroll-Bit-Liste

System-Bits werden vom System gesetzt, Kontroll-Bits werden vom Anwenderprogramm gesetzt.

10.2.1 System-Bit-Liste

Tabelle 10.2: System-Bit-Liste

System-Bit	Beschreibung
M01	Immer „EIN“
M02	Immer „AUS“
M03	Wechselnd – 0,5 Sekunden „EIN“, 0,5 Sekunden „AUS“
M04	„EIN“, wenn ein Datenfehler der Echtzeituhr auftritt
M05	„EIN“, wenn die Sommerzeitfunktion aktiviert ist
M06	„EIN“, wenn Kommunikationsfehler des AS-Interface auftritt
M07	„EIN“, wenn Kommunikationsfehler durch AS-Interface-Spannungsabfall auftritt
M08	„EIN“ Impuls, wenn die α 2-Steuerung vom Stop-Modus in den Run-Modus wechselt Es wird ein einmaliger Impuls ausgegeben, danach ist das Signal „AUS“.
M09	„AUS“ Impuls, wenn die α 2-Steuerung vom Stop-Modus in den Run-Modus wechselt Es wird ein einmaliger Impuls ausgegeben, danach ist das Signal „EIN“.
M10	Reserviert
M11	Reserviert
M12	„EIN“, wenn CD (DCD) Signal eingeschaltet ist (CD-Signal von Modem empfangen)
M13	„EIN“, wenn ein Zugriff auf GSM-Netzwerk möglich ist
M14	„EIN“, wenn die α 2-Steuerung mit dem GSM verbunden ist

10.2.2 Kontroll-Bit-Liste

Tabelle 10.3: Kontroll-Bits

Kontroll-Bit	Beschreibung
N01	ON: Nicht mit dem AS-Interface Network verbunden OFF: Mit dem AS-Interface Network verbunden
N02* ¹	ON: Die Hintergrundbeleuchtung des LCDs ist aus. OFF: Die Hintergrundbeleuchtung wird über die Einstellung „Leuchtdauer“ im Menü gesteuert.
N03* ¹	ON: Die Hintergrundbeleuchtung des LCDs ist ein. OFF: Die Hintergrundbeleuchtung wird über die Einstellung „Leuchtdauer“ im Menü gesteuert.
N04	ON: Die Anzeige wird mit den Einstellungen des „Anzeige-Managers“ der AL-PCS/WIN-E überwacht. OFF: Die Anzeige wird vom benutzerdefinierten Programm überwacht.

*1 Wenn N02 und N03 EIN geschaltet sind, ist die Hintergrundbeleuchtung eingeschaltet, weil N03 eine höhere Priorität als N02 besitzt.

10.3 Liste der Funktionsblöcke

Weitere Informationen zu den Funktionsblöcken entnehmen Sie bitte dem Programmierhandbuch der α2-Steuerung.

Tabelle 10.4: Liste der Funktionsblöcke

Funktionsblock		Speicherbelegung (Byte)	Beschreibung
Bezeichnung	Symbol		
AND	AND	19	Ausgang „EIN“, wenn, alle Eingänge „EIN“, Nicht verwendete Eingänge werden als „EIN“ betrachtet
OR	OR	19	Ausgang „EIN“, wenn mindestens ein Eingang „Ein“, Nicht verwendete Eingänge werden als „AUS“ betrachtet
NOT	NOT	10	Invertiert ein Signal; wechselt ein „AUS“ in ein „EIN“ und umgekehrt
XOR	XOR	13	Exklusiv ODER; Ausgang „EIN“, wenn nur einer von zwei Eingängen „EIN“
NAND	NAND	19	Nicht UND; Ausgang „AUS“, nur wenn alle Eingänge „EIN“, Nicht verwendete Eingänge werden als „EIN“ betrachtet
NOR	NOR	19	Nicht ODER; Ausgang „AUS“, wenn mindestens ein Eingang „Ein“, nicht verwendete Eingänge werden als „AUS“ betrachtet
Boolescher Operand	BL	*1	Logische Gleichung unter Verwendung von AND, OR, XOR, NOT
Setz-/Rücksetzglied	SR	14	Setz-/Rücksetzglied mit wählbarer Priorität für SET oder RESET
Impuls	PL	10	Sendet einen Impuls bei steigender, fallender oder bei beiden Flanken des Eingangssignals
Alternieren	AL	13	Ausgang alterniert zwischen EIN und AUS mit jedem Eingangsimpuls
Verzögerung	DL	19	Signalverzögerung bei steigender, fallender oder bei beiden Flanken
Einzelimpuls	OS	17	Sendet einzelnen Impuls; zeit- oder eingangssignalgesteuert, Reset-Signal möglich
Flicker	FL	19	Sendet eine Impulskette; EIN/AUS-Dauer, Wiederholung, unterbrochene oder anhaltende Ausgabe
Zeitschalter	TS	*2	Verwenden der RTC, um einen Ausgang EIN/AUS zu schalten; kalendarischer oder wöchentlicher Zeitplan
Zeitschalter-Wartung	TSm	*2	Verwenden der RTC, um einen Ausgang EIN/AUS zu schalten; kalendarischer oder wöchentlicher Zeitplan Der Zeitplan kann über „TS Param“ im Hauptmenü eingestellt werden.
Zähler	CN	16	Zählt Impulse aufwärts
Aufwärtszähler	UD	22	Zählt aufwärts oder abwärts, Setzen eines Istwertes, um den Ausgang EIN zu schalten
Vergleich	CP	17	Vergleich zweier Werte auf <, >, =, <=, >=, <> (Analog, Direkt gesetzt, oder FB-Werte)
Offset Gain	OG	22	Manipuliert analoge Werte; $y = A/B * x + C$; Setzen von oberem und unterem Grenzwert
Anzeige	DP	*3	Anzeige von Anwenderdaten (Meldungen oder Daten) auf dem LCD-Display

GER

Tabelle 10.4: Liste der Funktionsblöcke

Funktionsblock		Speicherbelegung (Byte)	Beschreibung
Bezeichnung	Symbol		
Bereichsvergleich	ZC	20	Vergleicht einen Wert mit einem Wertebereich (Analog, Direkt gesetzt oder FB-Werte)
Schmitt-Trigger	ST	19	Schaltet einen Eingang bei oberem Grenzwert „EIN“ und bei unterem Grenzwert „AUS“ (oder umgekehrt)
Betriebsstundenzähler	HM	19	Speichert die Zeit, während der ein Signal EIN ist
Geschwindigkeitserkennung	SPD	25	Die Eingangssignalfrequenz (EIN/AUS) wird über einen bestimmten Zeitraum gemessen. Die Frequenz wird mit einem Wertebereich verglichen und der Ausgang wird entsprechend dem Ergebnis EIN oder AUS geschaltet.
Pulsweiten-Modulation	PWM	16	Eine kontinuierliche Impulskette wird ausgegeben, wenn dieser FB aktiviert wird. Die Charakteristiken des Impulses werden definiert als: Impulsbetrag (Direkt gesetzt, Analog, FB-Werte), Zykluszeit
Remanent Alternierend	RAL	13	Der Ausgang alterniert mit jedem Eingangsimpuls zwischen EIN und AUS. Der letzte Ausgangsstatus bleibt beim Ausschalten der Spannungsversorgung erhalten und liegt beim Einschalten wieder an. Der Ausgangsstatus geht verloren, wenn die α 2-Steuerung in den Stop-Modus geschaltet wird.
Addition	ADD	20	$y = A + B$
Subtraktion	SUB	20	$y = A - B$
Multiplikation	MUL	20	$y = A \times B$
Division	DIV	20	$A \div B = q, r$ (ganze Zahl und Rest)
Berechnung	CAL	*4	Berechnungen, die +, -, \times , \div , % und die ausgewählten Daten nutzen
Schieberegister	SFT	19	Verschiebeoperation; Wenn das „SFT“-Signal gesetzt wird, wird der letzte „I“-Signalstatus ausgegeben. Bei Einsatz der 8-Bit-Verschiebeoperation sollte der FB 8 mal nacheinander aufgerufen werden.
GSM SMS	SMS	*5	Die Anzeige des LCD-Bildschirms wird als SMS verschickt.
Zufallsimpuls	ROS	19	Ein einzelner Impuls von zufälliger Länge wird gesendet.
Verzögerter Impuls	DOS	20	Nach einer Verzögerungszeit wird ein Impuls gesendet.
Verzögerte Alternierung	DAL	16	Nach einer Verzögerungszeit wechselt der Ausgang mit jedem Eingangsimpuls zwischen EIN und AUS.
Gepuffertes Set/Reset (Setz/Rücksetz-Glied)	RSR	14	Ein Setz/Rücksetz-Glied kann gegen Spannungsausfall gesichert werden und die Setz/Rücksetz-Priorität ist frei wählbar. Der letzte Ausgangsstatus bleibt bei Spannungsausfall/-wiederkehr erhalten. Der letzte Ausgangsstatus geht verloren, wenn das α 2-Steuerung in den Stop-Modus übergeht.

Tabelle 10.4: Liste der Funktionsblöcke

Funktionsblock		Speicherbelegung (Byte)	Beschreibung
Bezeichnung	Symbol		
Überwachungsmonitor	CDP	*6	Kontrolliert, welche Anzeige auf dem Bildschirm erfolgt. Dieser Funktionsblock kann nur in der AL-PCS/WIN-E Software gesetzt werden. Ist das Überwachungs-Bit N04 EIN, kann die Bildschirmanzeige überwacht werden.
Verbinden	_B	10	Dieser Funktionsblock ist ein interner FB, der der Anzeige des von den System-Bits, der Bits für das AS-Interface und den Funktionstasten verwendeten Speichers dient. Kein Funktionsblock erscheint auf der Anzeige oder wird in dem Dialogfenster „Speicherverwendungs-Konfiguration“ als verwendet angezeigt. Der Zweck ist lediglich die Berechnung des Speichers, der von den oben aufgeführten Bits verwendet wird.
Systemausgänge	Out	10	Steuerung externer Geräte über Relais und Transistoren

- *1 Anzahl der verwendeten Bytes = $19 + 1 \times (\text{Zeichen in der Gleichung})$
- *2 Anzahl der verwendeten Bytes = $8 + 4 \times (\text{Anzahl der Zeitwechsel})$
- *3 Anzahl der verwendeten Bytes wird durch die angezeigten Zeichen bestimmt.

Tabelle 10.5: Anzeige und Anzahl der verwendeten Bytes

Anzeige		Anzahl der Bytes, α2-Steuerung
Zeichen		$16 + 1 \times (\text{je angezeigtem Zeichen})$
Analog, FB-Wert	Wert	17
	Grafik	23
Zeit, Datum		14
Zeitwechsel		17

- *4 Anzahl der verwendeten Bytes = $30 + 1 \times (\text{Zeichen in der Gleichung})$
- *5 Anzahl der verwendeten Bytes = $12 + 1 \times (\text{Zeichen der E-Mail-Adresse})$
- *6 Anzahl der verwendeten Bytes = $32 + 3 \times (\text{Anzahl der Bildschirme})$

GER

MEMO

11. Fehleranalyse



Achtung

- Berühren Sie nie die Anschlüsse, wenn die Spannung eingeschaltet ist. Dies kann zu Fehlfunktionen des Geräts oder zu elektrischen Schlägen führen.



Achtung

- Korrekte Spannungsversorgung.
Durch die Verwendung einer von der angegebenen Werten abweichenden Spannungsversorgung kann das Gerät beschädigt oder ein Brand verursacht werden.
- Verbinden Sie „L (Phase)“ der Spannungsversorgung mit der „L-Klemme“ der Haupteinheit und verbinden Sie „N (Neutral)“ mit der „N-Klemme“ der Haupteinheit, wenn Sie die AC-Spannungsversorgung verdrahten.
Fehlerhafte Verdrahtung kann zu elektrischen Schlägen, Schäden an der Steuerung oder zu Bränden führen.
- Schalten Sie bei der AC-Einheit über die angeschlossenen Sensoren und Schalter immer „L“ und nicht „N“.
- Verbinden Sie den „+“-Anschluss der Spannungsversorgung mit der „+“-Klemme der Haupteinheit und verbinden Sie den „-“-Anschluss der Stromversorgung mit der „-“-Klemme, wenn sie die DC-Einheit verdrahten.
Fehlerhafte Verdrahtung kann Schäden an der Steuerung, Stromschläge oder Brände verursachen.

GER



Hinweise

- Die α 2-Steuerung darf nur mit eingesetzter Speicherkassette, montiertem Kommunikationskabel oder montierter Anschlussabdeckung betrieben werden. Ein freiliegender Anschluss kann zu Beschädigungen der α 2-Steuerung oder zu einem elektrischen Schlag beim Bediener der α 2-Steuerung führen.
- Verwenden Sie das Erweiterungsmodul oder die Anschlussabdeckung, während die Spannungsversorgung eingeschaltet ist.
Fehlerhafte Installation des Zubehörs kann zu Schäden an der Steuerung oder zu elektrischen Schlägen führen.

11.1 Eingangsstatusfehler

Wechseln Sie die α 2-Steuerung in den Stop-Modus. Schalten Sie die Spannungsversorgung der an die Eingangsklemmen angeschlossenen Schalter und Sensoren aus und prüfen Sie, ob der Eingangsstatus im Display der α 2-Steuerung korrekt angezeigt wird. Falls dieser nicht korrekt angezeigt wird, überprüfen Sie die unten angeführten Punkte.

Weitere Informationen zum Status-Monitor finden Sie im α 2-Programmierhandbuch.



Hinweise zur Durchführung

Schließen Sie keine Kabel mit verlöteten Enden an die Anschlussklemmen der α 2-Steuerung an.

Dadurch kann eine Kontaktstörung verursacht werden, und das Kabel kann sich lösen.

- 1) Überprüfen Sie die Verdrahtung der Spannungsversorgung und die Eingänge.
- 2) Überprüfen Sie, ob die genutzten Schalter und Sensoren den im Abs. 2.3 dieses Handbuchs beschriebenen Eigenschaften entsprechen.

11.2 Ausgangsstatusfehler

Wechseln Sie die α 2-Steuerung in den Stop-Modus. Schalten Sie die Ausgänge EIN/AUS und überprüfen Sie ihre Funktion. Überprüfen Sie die Anwendbarkeit des geschriebenen Programms auf die gewünschten Funktionen.

Weitere Informationen über die Ein/AUS-Operationen entnehmen Sie bitte dem Programmierhandbuch der α 2-Steuerung.



Hinweise zur Durchführung

Führen Sie die erzwungene EIN/AUS-Operation erst aus, nachdem Sie geprüft haben, dass Sie dies ohne Gefahr ausführen können. Es kann zu einer Beschädigung von Maschinen oder Steuerung kommen, oder es kann ein Sicherheitsrisiko auftreten, wenn das Aus-/Einschalten erfolgt, ohne dass die nötigen Vorkehrungen getroffen werden.

- 1) Überprüfen Sie die Verkabelung der Spannungsversorgung und der Ausgänge.
- 2) Überprüfen Sie, ob die angeschlossenen Geräte den im Abs. 4.4 dieses Handbuchs beschriebenen Eigenschaften entsprechen.

11.3 Hauptmenü wird nicht angezeigt

Das Hauptmenü sollte aufgerufen werden, wenn Sie gleichzeitig die Tasten „OK“ und „ESC“ betätigen. Geschieht dies nicht, sind diese Tasten für den Aufruf des Hauptmenüs nicht konfiguriert. Verwenden Sie dann die Programmier-Software oder die erzwungene Stop-Operation, um in den Stop-Modus zu gelangen.

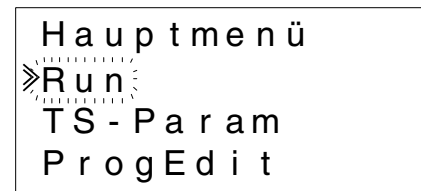
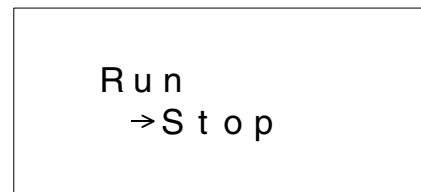


Achtung

Führen Sie die erzwungene Stop-Operation nur aus, nachdem Sie sorgfältig geprüft haben, dass Sie dies ohne Gefahr ausführen können. Es kann zu einer Beschädigung von Maschinen oder Steuerungen kommen, oder es kann ein Sicherheitsrisiko auftreten, wenn das Aus-/Einschalten erfolgt, ohne dass die nötigen Vorkehrungen getroffen wurden.

Erzwungene Stop-Operation

- 1) Schalten Sie die α2-Steuerung aus.
- 2) Schalten Sie die Spannung ein, während Sie gleichzeitig die Tasten „OK“ und „ESC“ betätigen. Der rechts abgebildete Bildschirm wird 5 Sekunden angezeigt. Betätigen Sie innerhalb dieses Zeitraums die „OK“-Taste, um in den Stop-Modus zu gelangen. Falls keine Taste betätigt wird, wird die Steuerung in den Run-Modus zurückgesetzt.
- 3) Drücken Sie „ESC“ . Das rechts abgebildete „Hauptmenü“ wird angezeigt.



GER

11.4 Umschaltung in den Run-Modus nicht möglich

Wenn die α 2-Steuerung nicht in den Run-Modus umschaltet, überprüfen Sie folgendes:

- 1) Die Anzeige „Eingangsfehler“ oder „Ausgangsfehler“ erscheint.
Das Programm in der Speicherkassette beinhaltet mehr Ein- und/oder Ausgänge als die Steuerung zulässt.
 - a) Falls das Programm mit der Programmier-Software geschrieben wurde.
Der Inhalt des Programms und das Modell wurde mit der Programmier-Software geprüft.
Schreiben Sie das Programm in die α 2-Steuerung und verwenden Sie keine Speicherkassette.
 - b) Wenn Sie die α 2-Steuerung mit den Bedientasten der Steuerung programmieren.
Entfernen Sie die Speicherkassette und schreiben Sie das Programm erneut.
 - c) Installieren Sie die Speicherkassette in der α 2-Steuerung mit 24 Ein-/Ausgängen.
 - d) Erstellen Sie Ihr Programm nur mit der gleichen Serie der α 2-Steuerung, mit der Sie das Programm auch nutzen.
- 2) Die Programmdateien sind fehlerhaft.
Erscheint im Hauptmenü der Unterpunkt „Editieren“, sind möglicherweise die Programmdateien beschädigt. Wechseln Sie aus dem Hauptmenü in den Run-Modus, nachdem Sie das Programm gelöscht haben.
 - a) Schreiben Sie das Programm erneut und wechseln Sie in den RUN-Modus.
 - b) Benachrichtigen Sie Ihren Mitsubishi-Vertragspartner, wenn die Steuerung weiterhin nicht in den RUN-Modus wechselt.

11.5 Falsche Uhrzeit

Überprüfen Sie die folgenden Punkte.

- 1) Die Uhrzeit wird nicht angezeigt.
Nach einem Zeitraum von mehr als 20 Tagen (25°C), nachdem die α 2-Steuerung von der Spannungsversorgung getrennt wurde, muss die Echtzeituhr neu eingestellt werden.
Weitere Informationen bezüglich der Echtzeituhr finden Sie im α 2-Programmierhandbuch.
- 2) Bei der Uhrzeit kann es zu kleinen Abweichungen kommen.
Die Abweichung von der Echtzeit beträgt ± 5 Sekunden am Tag. Wenn sich die Zeitabweichung vergrößert, korrigieren Sie die Einstellungen.
Weitere Informationen zur Zeiteinstellung entnehmen Sie dem α 2-Programmierhandbuch.

11.6 Das „?“ erscheint im Display

Das „?“ wird angezeigt, wenn in Bezug auf die Bildschirmanzeige eine unzulässige Taste betätigt wurde. Wählen sie die korrekte Auswahl und betätigen Sie die richtigen Tasten.



11.7 Die Funktionstasten können nicht verwendet werden

Nimmt die α2-Steuerung eine Betätigung der Funktionstasten nicht an, prüfen Sie die Funktion der Funktionstasten entsprechend der folgenden Schritte. Können Sie die unten aufgeführten Schritte (1)–(5) problemlos ausführen, arbeiten die Funktionstasten problemlos. Überprüfen Sie, ob die Taste(n) in dem Programm verwendet werden.

- 1) Schalten Sie die Steuerung in den Stop-Modus. Wenden Sie sich an Ihren Mitsubishi-Vertragspartner, wenn die Steuerung nicht in den Stop-Modus schaltet.



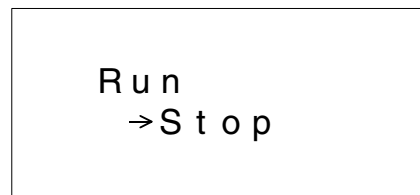
Achtung

Führen Sie die erzwungene STOP-Operation nur aus, nachdem Sie geprüft haben, dass Sie dies ohne Gefahr ausführen können. Es kann zu einer Beschädigung von Maschinen oder Steuerungen kommen, oder es kann ein Sicherheitsrisiko auftreten, wenn das Aus-/Einschalten erfolgt, ohne dass die nötigen Vorkehrungen getroffen werden.

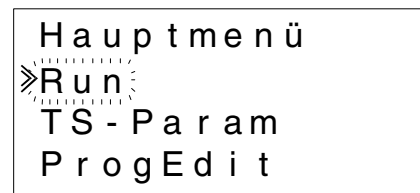
GER

Erzwungene Stop-Operation

- a) Schalten Sie die α2 -Steuerung aus.
- b) Schalten Sie die Spannung ein, während Sie gleichzeitig die Tasten „OK“ und „ESC“ betätigen. Der rechts abgebildete Bildschirm wird 5 Sekunden angezeigt. Betätigen Sie innerhalb dieses Zeitraums die „OK“-Taste, um in den Stop-Modus zu gelangen. Falls keine Taste betätigt wird, wird die Steuerung in den Run-Modus zurückgesetzt.

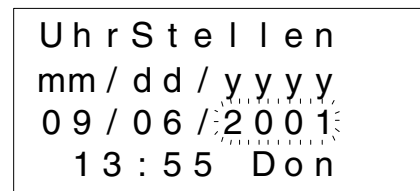


- c) Betätigen Sie die „ESC“-Taste. Das rechts abgebildete Hauptmenü wird angezeigt.

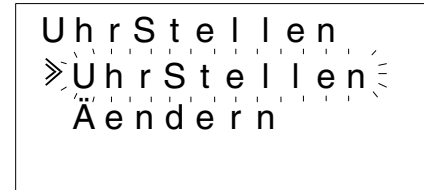


- 2) Scrollen Sie mit den Tasten „▲“ und „▼“ durch das Hauptmenü. Wenden Sie sich an Ihren Mitsubishi-Vertragshändler, wenn Sie nicht durch das Menü scrollen können.

- 3) Bewegen Sie mit der Taste „▲“ oder „▼“ den Cursor auf das Menü „UhrStellen“ und betätigen Sie zweimal die „OK“ -Taste. Das rechts abgebildete Menü „UhrStellen“ wird angezeigt. Wenden Sie sich an Ihren Mitsubishi-Vertragshändler, falls dies nicht angezeigt wird.



- 4) Ändern Sie die Einstellungen für den Monat und das Jahr, indem Sie die Tasten „◀“, „▶“, „+“ und „-“ verwenden.
Wenden Sie sich an Ihren Mitsubishi-Vertragshändler, falls die Einstellungen nicht möglich sind.
- 5) Betätigen Sie die „ESC“ Taste.
Das rechts abgebildete Menü wird angezeigt und die Änderungen aus Schritt (4) werden zurückgesetzt.
Wenden Sie sich an Ihren Mitsubishi-Vertragshändler, falls die korrekte Anzeige nicht erscheint.



11.8 Falsche LCD-Anzeige

Überprüfen Sie die folgenden Punkte:

- 1) Die Zeichen werden auf dem Bildschirm invers dargestellt und der ganze Bildschirm ist schwarz.
Wenden Sie sich an Ihren Mitsubishi-Vertragshändler, falls dieser Fehler auftritt. Das Display der α2-Steuerung wurde beschädigt.
- 2) Die Anzeige erscheint fehlerhaft.
Falls auf dem Bildschirm eine nicht erwartete fehlerhafte Anzeige erscheint, überprüfen Sie die folgenden Punkte in dem Programm.
 - a) Prüfen Sie die jeweiligen Positionen, an denen eine Anzeigefunktion startet. Zwei separate Anzeigen können sich unter Umständen überlappen und die nicht erwartete Bildschirmanzeige verursachen.
 - b) Die Zeichen werden nicht angezeigt.
 - Überprüfen Sie, ob der Eingang des Anzeige-Funktionsblock gesetzt ist (EIN).
 - Überprüfen Sie, ob ein Konflikt mit einer anderen Anzeige besteht.

11.9 Die Speicher-Kassette arbeitet fehlerhaft

Überprüfen Sie folgende Punkte, wenn die Speicher-Kassette nicht erkannt wird oder die Übertragungsfunktionen der Kassette nicht arbeiten.



Hinweise zur Durchführung

- Verwenden Sie die Speicherkassette, das Telekommunikationskabel oder die Anschlussabdeckung, während die Spannungsversorgung der α 2-Steuerung eingeschaltet ist.
Fehlerhafte Installation des Zubehörs kann zu Schäden an der Steuerung oder zu elektrischen Schlägen führen.
- 1) Die Speicher-Kassette muss korrekt installiert sein. Detaillierte Informationen zur korrekten Installation entnehmen Sie bitte dem Abs. 6.1.
 - 2) Die Anzeige „Schutz-SW Fehler“ erscheint.
Der Schreibschutz wurde aktiviert (Schutz-SW).
Detaillierte Informationen zur Aufhebung des Schreibschutzes entnehmen Sie dem Programmierhandbuch.
 - 3) Die Anzeige „Passwort-Fehler“ erscheint.
Der Passwortschutz wurde eingerichtet. Versuchen Sie es erneut, nachdem Sie den Passwortschutz deaktiviert haben.
Detaillierte Informationen zur Deaktivierung des Passworts finden Sie im Programmierhandbuch.

Die Option „PrgLoesch“ kann sowohl Passwörter, als auch Programme und alle Hauptmenüeinstellungen löschen. Die Steuerung kehrt dann zu den vordefinierten Grundeinstellungen zurück.

Weitere Informationen zu den „PrgLoesch“-Operationen entnehmen Sie bitte dem Programmierhandbuch.

GER

11.10 Die Kommunikation mit dem AS-Interface-Master-Modul ist gestört

Überprüfen Sie die folgenden Punkte:



Hinweis zur Durchführung

- Verwenden Sie die Erweiterungskarte oder die Anschlussabdeckung, während die Spannungsversorgung der α 2-Steuerung eingeschaltet ist.
Fehlerhafte Installation des Zubehörs kann zu Schäden an der Steuerung oder zu elektrischen Schlägen führen.
- 1) Überprüfen Sie die Spannungsversorgung für das AS-Interface .
 - 2) Überprüfen Sie, ob das Kontroll-Bit N01 AUS ist. Befolgen Sie eine der beiden im Folgenden angegebenen Vorgehensweisen, falls das Kontroll-Bit zurückgesetzt werden muss.
 - a) Das Kontroll-Bit wird nicht vom Programm verwendet
Setzen Sie den Status auf AUS. Angaben zum erzwungenen Setzen/Rücksetzen entnehmen Sie bitte dem Programmierhandbuch zur α 2-Steuerung.
 - b) Das Kontroll-Bit wird vom Programm verwendet.
Ändern Sie das Programm oder schalten Sie die Eingänge so, dass das Kontroll-Bit N1 auf 0 gesetzt wird.
 - 3) Überprüfen Sie die Slave-Adresse.
Korrigieren Sie die Slave-Adresse über das AS-Interface-Master-Modul.
Detaillierte Informationen zur Adresseinstellung und dem AS-Interface-Modul entnehmen Sie bitte dem Abs. 9.4.1.
 - a) Es liegt ein Adressenkonflikt zwischen dem AL2-ASI-BD und einem anderen Slave vor.
Korrigieren Sie die Adresse so, dass es zu keinem Konflikt kommt.
 - b) Die Slave-Adresse ist 0.
Verwenden Sie eine gültige Slave-Adresse für das AS-Interface-Modul.
 - 4) AL2-ASI-BD ist am Master-Modul nicht als aktiver Slave eingestellt.
Überprüfen Sie die Einstellungen des Master-Moduls.
Weitere Informationen entnehmen Sie bitte dem Handbuch zum AS-Interface-Master-Modul.

11.11 Die Kommunikation mit dem AL-PCS/WIN-E ist gestört

Überprüfen Sie die folgenden Punkte:

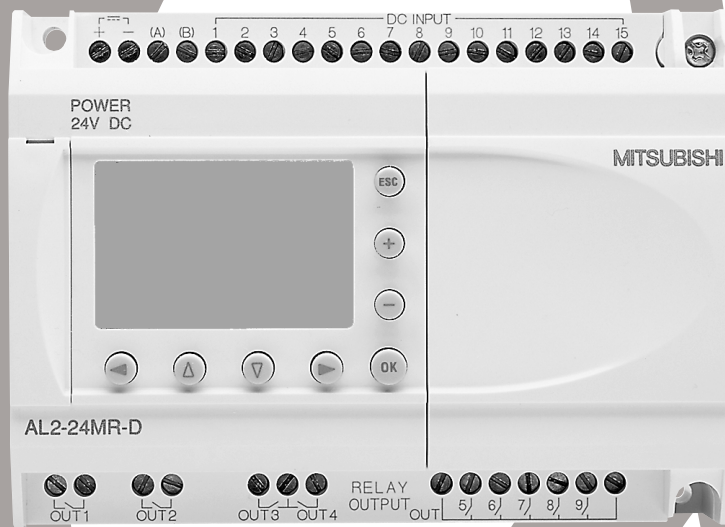


Hinweise zur Durchführung

- Verwenden Sie die Speicherkassette, das Telekommunikationskabel oder die Anschlussabdeckung, während die Spannungsversorgung der α 2-Steuerung eingeschaltet ist.
Fehlerhafte Installation des Zubehörs kann zu Schäden an der Steuerung oder zu elektrischen Schlägen führen.
- 1) Überprüfen Sie die Kabelverbindungen (AL-232CAB).
Weitere Informationen zu den Kabelverbindungen entnehmen Sie bitte dem Abs. 7.2.
 - 2) Überprüfen Sie die Spannungsversorgung der α 2-Steuerung.
Überprüfen Sie die Schaltung und die Anschlüsse der Spannungsversorgung.
Ausserdem überprüfen Sie bitte anhand von Abs. 2.2 die Daten der Spannungsversorgung.
 - 3) Überprüfen Sie, ob die am PC verwendete COM-Schnittstelle, an der das Verbindungskabel (AL-232CAB) angeschlossen ist, mit der Einstellung des Kommunikationsports in der Programmier-Software übereinstimmt. Ist dies nicht der Fall, schließen Sie das Kabel an die entsprechende COM-Schnittstelle des PCs an, oder ändern Sie die Einstellung in der Programmier-Software.
 - 4) Bei Fernwartung über ein Modem
 - a) Überprüfen Sie, ob das Modem von der α 2-Steuerung korrekt erkannt wurde.
Weitere Informationen zur Modemerkennung durch die Steuerung entnehmen Sie bitte dem Programmierhandbuch und dem Abs. 7.3.
 - b) Überprüfen Sie die Kabelverbindungen.
Weitere Informationen zu den Kabelverbindungen entnehmen Sie bitte dem Abs. 7.3.2.
 - c) Überprüfen Sie die Modemeinstellungen auf Seiten der Programmier-Software.
Überprüfen Sie, ob die Installationsroutine und das Modem-Setup ordnungsgemäß abgeschlossen wurden.

GER

MEMO



FRE

Contrôleur $\alpha 2$

MANUEL DU MATÉRIEL

Préface

- Le présent manual contient des textes, des illustrations et des applications pour une installation et une utilisation correctes du bloc logique $\alpha 2$. L'utilisateur doit le lire et avoir compris son contenu avant d'installer ou d'utiliser l'appareil.
- Si lors de l'installation des incertitudes persistent, n'hésitez pas à consulter un électricien compétent, qualifié et formé à l'utilisation des normes électriques locales et nationales. Contactez le représentant le plus proche de MITSUBISHI ELECTRIC si la manipulation ou l'utilisation des blocs logiques $\alpha 2$ vous pose des problèmes.
- Le présent manual est publié sous réserve de modifications. Ces modifications peuvent être apportées sans avis préalable.

Contrôleur $\alpha 2$

Manuel du matériel

FRE

No. du manuel: JY992D97301

Version: B

Date: 06/2002

Prenez quelques minutes ...

Mitsubishi a une réputation mondiale pour ses efforts continuels en développement et de libération de l'automatisation industrielle. Les dépenses nécessaires à une documentation technique irréprochable sont souvent sous-estimées par l'utilisateur. C'est pourquoi, nous avons besoin de votre aide pour que tous les produits et toutes les documentations de Mitsubishi soient également à l'avenir à la pointe du progrès. Cette page a été conçue pour vous, le lecteur, pour indiquer vos commentaires et nous les faxer. Dans l'attente de vous lire.

Numéros de fax :		Votre nom.....
Mitsubishi Electric....	
Amerique	(708) 298-1824	Votre société
Australie	(02) 638-7072
Allemagne	(0 21 02) 4 86-11 20	Votre adresse :.....
Espagne	(0 34)93 589 1579
Royaume Uni	(01707) 278-695	

FRE

Veuillez cocher la case de votre choix :

Dans quel état vous est parvenu le manuel ? Bon Peu endommagé Inutilisable

Utilisez vous un classeur pour conserver le manuel ? Oui Non

Comment trouvez-vous la présentation du manuel ? Claire Confuse

Est-ce que les explications sont compréhensibles? Oui Oui, la plupart
Confuses

Quelle explication était la plus difficile à comprendre:

Est-ce que toutes les figures sont claires ? Oui Non

Si non, lesquelles :.....

Que pensez vous de la mise en page de ce manuel ? Bonne Pas trop mauvaise Confuse

Si vous souhaitez voir une chose améliorée, laquelle est ce ? Quelles améliorations souhaiteriez-vous voir ?

.....
.....

Pouviez-vous trouver l'information que vous recherchez facilement en utilisant par exemple l'index et/ou la table des matières, si possible indiquez SVP votre expérience :.....

.....
.....

Avez-vous des commentaires en général à propos des manuels Mitsubishi ? Avez-vous des louanges/critiques ?

.....
.....

Merci d'avoir pris le temps pour remplir ce questionnaire. Nous espérons que vous avez trouvé le produit ainsi que ce manuel faciles à utiliser.

Directives de sécurité pour l'utilisateur et mesures de protection pour le contrôleur $\alpha 2$

Ce manuel fournit des informations pour l'utilisation du contrôleur $\alpha 2$.

Ce manuel a été établi à l'intention d'un personnel formé et compétent. La notion de qualification est basée sur la définition suivante:

- a) Tout technicien qui étudie, conçoit et construit des installations d'automatisation incorporant le présent produit, devrait posséder des connaissances suffisantes à son sujet. Sa formation et sa qualification devraient également englober les normes locales et les normes nationales. Le technicien devrait posséder des connaissances complètes sur tous les aspects liés à la sécurité dans le domaine de l'automatisation.
- b) Tout utilisateur ou technicien du service après-vente doit posséder des connaissances de la réglementation locale et nationale en vigueur pour exécuter en toute sécurité les opérations à effectuer lors de ces interventions. Le technicien devrait avoir reçu une formation à l'utilisation et à l'entretien des unités en incluant la famille de produits complète avec toutes les documentations afférentes. Toutes les unités d'entretien doivent toujours être conformes aux directives de sécurité courantes.
- c) Tout utilisateur de l'appareil doit avoir reçu une formation à l'utilisation sûre de celui-ci, compte tenu des consignes de sécurité courantes. L'opérateur doit également se familiariser avec les documentations des autres composants de l'installation.

Important: L'expression "autres composants de l'installation" signifie tous les autres appareils de l'installation d'automatisation en liaison avec le présent produit et les informations relatives à celui-ci contenues dans le présent manuel.

Signification des symboles utilisés dans le présent manuel.

Différents symboles sont utilisés dans le présent manuel pour mettre en relief certaines informations. Ces symboles servent à expliquer aux opérateurs les différentes instructions de sécurité et celles relatives aux mesures de protection. En présence des symboles, les instructions correspondantes doivent avoir été lues et l'information fournie doit être comprise. Tous les symboles utilisés sont énumérés ci-après avec un bref descriptif.

Avertissements relatifs au matériel



- 1) Désigne un danger imminent susceptible d'entraîner un dommage corporel ou un dégât matériel.



- 2) Désigne un danger éventuel susceptible d'entraîner un dommage corporel ou un dégât matériel.



- 3) Désigne un point comportant des instructions ou des explications supplémentaires.



- 4) Désigne un avertissement spécial dont il faut impérativement tenir compte lors de la programmation.

Avertissements relatifs au logiciel



- 5) Désigne une instruction spéciale dont l'utilisateur doit tenir compte en liaison avec l'emploi de l'appareil.



- 6) Désigne un point comportant des instructions supplémentaires ou des explications complémentaires.

- MITSUBISHI ELECTRIC décline toute responsabilité pour les dommages imputables à une installation ou à une utilisation incorrecte des appareils ou des accessoires.
- Tous les exemples et illustrations du présent manuel constituent une simple aide à la compréhension du texte. Nous déclinons toute responsabilité pour l'exactitude des opérations de commande représentées. MITSUBISHI ELECTRIC décline toute responsabilité pour une utilisation du produit se réclamant des exemples présentés.
- En raison du nombre important de possibilités d'utilisation diverses de cet appareil, il incombe au client d'adapter celui-ci à son cas d'application particulier.

Liste des manuels complémentaires

	Nom du manuel	No. manuel	Description
<input checked="" type="radio"/>	Manuel du matériel $\alpha 2$ (Ce manuel)	JY992D97301	Ce manuel comporte les explications pour le câblage, l'installation et les spécifications techniques du contrôleur $\alpha 2$.
<input checked="" type="radio"/>	Manuel de programmation $\alpha 2$ <en anglais seulement>	JY992D97101	Ce manuel contient les explications pour la programmation du contrôleur $\alpha 2$.
<input type="radio"/>	Manuel du logiciel α <en anglais seulement>	JY992D74001	Ce manuel contient les explications pour l'installation et l'exploitation du logiciel de programmation AL-PCS/WIN-E.
<input type="radio"/>	Manuel de communication $\alpha 2$ <en anglais seulement>	JY992D97701	Ce manuel contient les explications pour l'installation, le transfert de données, le diagnostic, l'affectation des bits, etc. pour la communication via le contrôleur $\alpha 2$.
<input type="checkbox"/>	Manuel d'installation $\alpha 2$	JY992D97501	Ce manuel contient les explications du matériel du contrôleur $\alpha 2$.
<input type="checkbox"/>	Manuel d'installation AL2-4EX, AL2-4EX-A2, AL2-4EYR, AL2-4EYT	JY992D97401	Ce manuel comporte les explications du matériel et de l'installation pour des modules d'extension AL2-4EX, AL2-4EX-A2, AL2-4EYR et AL2-4EYT.
<input type="checkbox"/>	Manuel utilisateur AL2-EEPROM-2	JY992D96801	Ce manuel contient les explications du matériel et de l'installation pour AL2-EEPROM-2.
<input type="checkbox"/>	Manuel utilisateur AL-232CAB	JY992D76001	Ce manuel contient les explications du matériel et de l'installation pour AL-232CAB.
<input type="checkbox"/>	Manuel utilisateur AL2-GSM-CAB	JY992D97201	Ce manuel contient les explications du matériel et de l'installation pour AL2-GSM-CAB.
<input type="checkbox"/>	Manuel utilisateur AL-ASI-BD, AL2-ASI-BD	JY992D81401	Ce manuel comporte les explications du matériel, de l'installation et des spécifications techniques, etc. pour AL-ASI-BD et AL2-ASI-BD.

- Ces manuels doivent être étudiés soigneusement avant d'utiliser le contrôleur.
- Se référer à ce manuel pour de plus amples informations.
- Se référer au contenu de ces manuels si nécessaire bien que cela soit inclus dans le manuel de l'appareil $\alpha 2$.

Sommaire

Directives de sécurité	FRE-v
1. Introduction.....	FRE-1
1.1 Les particularités du contrôleur $\alpha 2$:	FRE-2
1.2 Modèles disponibles!	FRE-3
1.3 Dimensions et éléments de commande	FRE-4
1.4 Configuration du système.....	FRE-5
1.5 Logiciel de programmation	FRE-5
2. Spécifications	FRE-7
2.1 Alimentation.....	FRE-7
2.3 Sorties	FRE-10
2.4 Caractéristiques générales.....	FRE-11
3. Installation	FRE-13
3.1 Conseils pour l'installation	FRE-13
3.2 Montage de l'unité principale sur rail DIN	FRE-14
3.2.1 Installation	FRE-14
3.2.2 Enlèvement	FRE-14
3.3 Montage direct de l'unité principale	FRE-15
3.4 Installation du module d'extension.....	FRE-16
4. Câblage	FRE-17
4.1 Remarques sur le câblage de l'installation	FRE-17
4.2 Dimension des câbles	FRE-18
4.3 Alimentation	FRE-19
4.4 Câblage de l'alimentation CA et de l'entrée.....	FRE-20
4.4.1 Câblage de l'alimentation CA et de l'entrée.....	FRE-20
4.4.2 Câblage de l'entrée AL2-4EX-A2	FRE-20
4.5 Câblage de l'alimentation CC et de l'entrée.....	FRE-21
4.5.1 Plan de câblage de l'alimentation CC et de l'entrée source ("+" commun)	FRE-21
4.5.2 Plan de câblage de l'entrée source ("+" commun) AL2-4EX	FRE-21
4.5.3 Plan de câblage de l'alimentation CC et de l'entrée ("-")	FRE-22
4.5.4 Plan de câblage de l'entrée sink ("-") AL2-4EX	FRE-22
4.6 Câblage des sorties relais et transistors.....	FRE-23
4.6.1 Plan de câblage de la sortie relais de l'unité principale (CA et/ou CC)	FRE-23
4.6.2 Plan de câblage de la sortie relais AL2-4EYR (CA et/ou CC)	FRE-24
4.6.3 Plan de câblage de la sortie transistor (source ou seulement "+" commun) AL2-4EYT	FRE-25
5. Affectation des bornes.....	FRE-27
6. AL2-EEPROM-2	FRE-29
6.1 Installation	FRE-30

FRE

7. AL-232CAB	FRE-31
7.1 Installation	FRE-31
7.1.1 Dimensions.....	FRE-31
7.2 Connexion avec le câble AL-232CAB	FRE-32
8. AL2-GSM-CAB	FRE-35
8.1 Introduction.....	FRE-35
8.2 Dimensions.....	FRE-35
8.2.1 Configuration du système en utilisant AL2-GSM-CAB	FRE-36
8.3 Installation	FRE-37
8.4 Installation du modem	FRE-39
8.4.1 Modems recommandés.....	FRE-39
8.4.2 Câble RS-232C entre le modem et AL2-GSM-CAB	FRE-39
8.4.3 Réglages du modem	FRE-40
9. AL2-ASI-BD	FRE-43
9.1 Introduction.....	FRE-43
9.1.1 Dimensions.....	FRE-43
9.1.2 Configuration du système.....	FRE-44
9.2 Spécifications	FRE-44
9.3 Câblage et Installation	FRE-45
9.3.1 Installation	FRE-45
9.3.2 Câblage	FRE-46
9.4 Réglage de l'adresse esclave et diagnostics.....	FRE-46
9.4.1 Réglage de l'adresse esclave	FRE-46
9.4.2 Contrôles à effectuer en cas d'erreur :	FRE-46
10.Listes des touches, bits du système et blocs de fonctions.....	FRE-47
10.1 Listes des touches.....	FRE-47
10.2 Listes des bits du système	FRE-48
10.2.1 Listes des bits du système	FRE-48
10.2.2 Listes des bits de contrôle.....	FRE-48
10.3 Listes des blocs fonctions.....	FRE-49
11.Diagnostic.....	FRE-53
11.1 Erreur de l'état de l'entrée.....	FRE-54
11.2 Erreur de l'état de la sortie.....	FRE-54
11.3 Menu principal n'est pas affiché	FRE-55
11.4 Passage dans le mode Run impossible	FRE-56
11.5 Donnée d'horloge incorrecte.....	FRE-56
11.6 Le "?" apparaît sur l'écran	FRE-56
11.7 Les touches de fonction ne peuvent pas être utilisées.....	FRE-57
11.8 Affichage à cristaux liquides incorrect	FRE-58
11.9 Casette mémoire ne fonctionne pas correctement	FRE-58
11.10La communication avec le module maître de l'interface AS est perturbée ..	FRE-60
11.11La communication avec AL-PCS/WIN-E est perturbée	FRE-61

1. Introduction

Le contrôleur $\alpha 2$ peut être facilement utilisé partout où un contrôle est nécessaire, dans la maison, au bureau ou dans l'entreprise. Le contrôleur délivre un cycle ON/OFF pour contrôler l'équipement électrique selon un programme de bloc de fonctions.

L'installation et le fonctionnement du contrôleur sont expliquées dans le manuel de programmation $\alpha 2$. Une explication détaillée du logiciel de programmation AL-PCS/WIN-E est disponible dans le manuel du logiciel $\alpha 2$.

Applications

Le contrôleur $\alpha 2$ est conçu pour être utilisé dans les domaines d'applications suivants :

- Automatisation de lumières, air conditionné ou systèmes d'irrigation
- Ouverture et fermeture de portes
- Systèmes de sécurité simples
- Automatisation de systèmes de distribution de nourriture pour animaux domestiques
- Contrôle de circulation d'air dans les parcs à bétail et serres

Toutefois, le contrôleur $\alpha 2$ n'est pas conçu pour être utilisé dans les applications suivantes. Veuillez contacter un distributeur Mitsubishi pour de plus amples informations.

- Applications où une fiabilité élevée est exigée comme le contrôle de centrales nucléaires, le trafic ferroviaire, les installations aériennes, les véhicules avec équipement de combustion, et l'équipement médical.
- Applications dans des situations critiques pour la vie.

FRE

1.1 Les particularités du contrôleur $\alpha 2$:

1) Affichage des informations et données du bloc de fonction

Le contrôleur $\alpha 2$ peut afficher l'état du fonctionnement et les signaux d'alarme sur un affichage à cristaux liquides comme un message. Il peut afficher les informations suivantes en utilisant le bloc de fonction. La valeur des temporisations et compteurs affichée peut être modifiée dans le mode RUN.

- Nombre de caractères sur l'affichage à cristaux liquides : 12 caractères \times 4 lignes
- Valeurs affichées : informations, valeurs (actuelle ou de consigne) des temporisations et compteurs, valeurs analogiques, etc.

2) La programmation via un ordinateur est simple et rapide

Le logiciel de programmation AL-PCS/WIN-E pour Windows peut réaliser et sauvegarder les programmes. La programmation peut être réalisée en utilisant une méthode graphique dans laquelle les lignes sont utilisées pour connecter les blocs de fonction sur un écran de programmation. Une programmation directe en utilisant les touches du panneau avant du contrôleur $\alpha 2$ est également possible.

3) Communication des contenus de l'écran via un modem GSM

Les contenus de l'écran peuvent être envoyés par e-mail en utilisant un modem GSM. L'utilisateur peut de la même façon surveiller l'état d'une application en accédant aux messages de diagnostic envoyés comme e-mail via le modem GSM.

4) Support de liaison ordinateur en utilisant un protocole étendu

Le contrôleur $\alpha 2$ supporte une liaison ordinateur (protocole étendu). Un logiciel d'application spécifique à l'utilisateur en utilisant la liaison ordinateur (protocole étendu) peut être utilisé pour modifier les données, les paramètres dans les blocs de fonctions et pour la surveillance de l'application.

5) Augmentation de la fonction de l'horloge

La fonction de temporisation hebdomadaire et de gestion calendaire possède plusieurs fonctions qui permettent un contrôle puissant du temps.

6) Entrée analogique, 0 - 10V/0 - 500:

L'entrée CC du contrôleur $\alpha 2$ peut accepter des signaux 0 - 10V avec une résolution de 0 - 500.

7) Compteur à grande vitesse, 1kHz maxi

Le contrôleur $\alpha 2$ possède des compteurs à grande vitesse (2 adresses maxi) lorsque le module AL2-4EX (E11, E12) est utilisé.

8) Courant de sortie maximum

Tableau 1.1: Courant de sortie maximum

Type de sortie		Courant de sortie maximum
RELAIS	AL2-14MR-*: O01 - 06 AL2-24MR-*: O01 - 04	8A/total
	AL2-24MR-*: O05 - 09 AL2-4EYR: EO1 - EO4	2A/borne (4A/total)
TRANSISTOR	AL2-4EYT: EO1 - EO4	1A/borne

9) EEPROM intégrée

L'intégration d'une EEPROM élimine la nécessité d'une batterie pour la sauvegarde de données lors d'une coupure de courant.

10) Supporte 6 langues:

Le contrôleur $\alpha 2$ supporte 6 langues (anglais, allemand, français, italien, espagnol et suédois). La langue affichée peut être sélectionnée dans le menu principal.

1.2 Modèles disponibles

Tableau 1.2: Unité principale

Modèle	Alimentation en courant	Entrées		Sorties		Dimensions mm	Poids (kg)
		Type	Nombre	Type	Nombre		
AL2-14MR-A	100 - 240V CA ~	100 - 240V CA~	8	RELAIS	6	124,6 x 90 x 52	0,30 ^{*1}
AL2-14MR-D	24V CC	24V CC Sink/Source	8	RELAIS	6		0,30 ^{*1}
AL2-24MR-A	100 - 240V CA~	100 - 240V CA~	15	RELAIS	9		0,35 ^{*1}
AL2-24MR-D	24V CC	24V CC Sink/Source	15	RELAIS	9		0,30 ^{*1}

*1 Sans modules fonctionnels spéciaux

Tableau 1.3: Module d'extension

Modèle	Entrées		Sorties		Poids (kg)
	Type	Nombre	Type	Nombre	
AL2-4EX-A2	220 - 240V CA~	4	—		0,05
AL2-4EX	24V CC, Sink/Source	4	—		
AL2-4EYR	—		RELAIS	4	
AL2-4EYT	—		TRANSISTOR	4	

FRE

1.3 Dimensions et éléments de commande

Figure 1.1: Éléments de commande

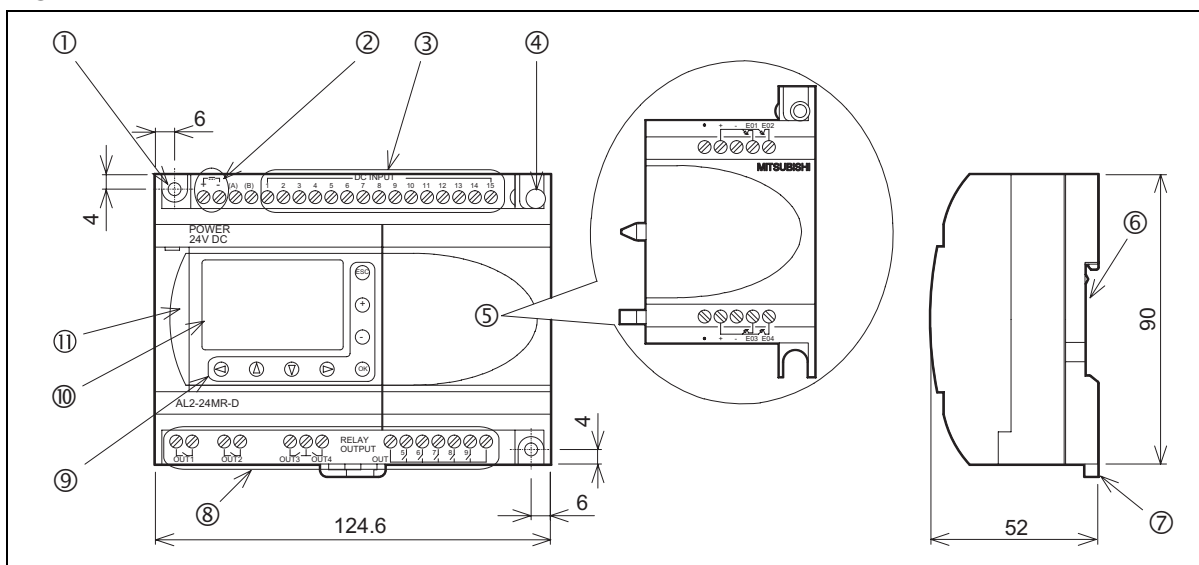
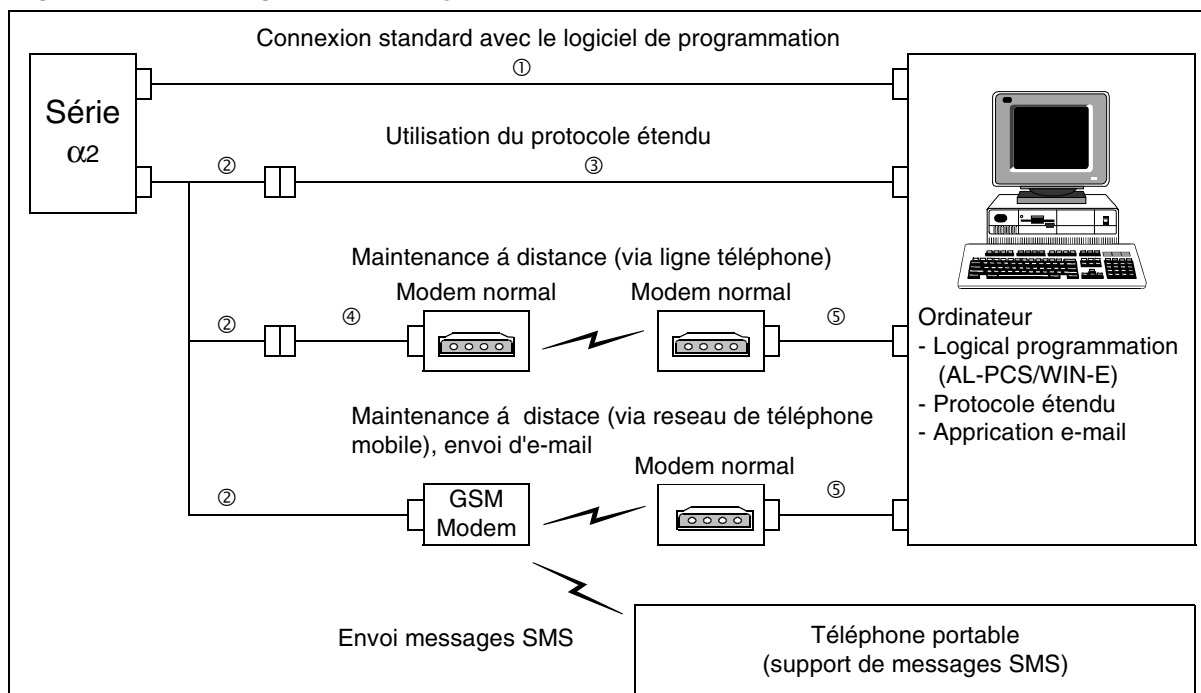


Tableau 1.4: Description de l'appareil

No.	Description
1	Trou d'assemblage, diam. 4,2 mm
2	Bornes d'alimentation en tension
3	Bornes des entrées
4	Vis de montage pour le couvercle d'extension ou le module d'extension
5	Couvercle ou module d'extension
6	Rainure pour le montage sur rail DIN (largeur du rail DIN 35mm <DIN EN 50022>)
7	Pinces d'assemblage du rail DIN
8	Bornes des sorties
9	Touches de commande
10	Affichage à cristaux liquides
11	Couvercle du port de programmation

1.4 Configuration du système

Figure 1.2: Configuration du système



FRE

Tableau 1.5: Configuration du système

Élément	Câble utilisé
1	AL-232CAB
2	AL2-GSM-CAB
3	RS-232C câble sériel*1
4	RS-232C câble pour le modem*1
5	RS-232C câble pour le modem (spécifié par le fabricant du modem)

*1 De plus amples informations sont disponibles dans le chapitre 8.

1.5 Logiciel de programmation

Le contrôleur $\alpha 2$ supporte le logiciel de programmation (AL-PCS/WIN-E) V2.00 ou supérieure. Les versions antérieures à V2.00 ne sont pas supportées par les contrôleurs $\alpha 2$.

MEMO

2. Spécifications

2.1 Alimentation

Tableau 2.1: Caractéristiques de l'alimentation

Description	Modèle	Données techniques
Alimentation en courant	AL2-***-A	100 - 240V CA~, +10% -15%, 50/60 Hz
	AL2-***-D	24V CC, +20% -15%
Temps maximal d'absence de courant autorisé	AL2-***-A	10ms
	AL2-***-D	5ms
Valeurs de pointe de l'intensité	AL2-***-A, 240V CA~ (120V CA~)	$\leq 6,5$ A (3,5 A)
	AL2-***-D, 24V DC	$\leq 7,0$ A
Puissance absorbée max.	AL2-14MR-A, 264V CA~	5,5 W
	AL2-14MR-D, 28.8V CC	7,5 W
	AL2-24MR-A, 264V CA~	7,0 W
	AL2-24MR-D, 28.8V CC	9,0 W
Puissance absorbée typ. (Sans modules fonctionnels spéciaux)	AL2-14MR-A, 240V CA~	E/S „1“ - 4,5 W, E/S „0“ - 2,0 W
	AL2-14MR-A, 120V CA~	E/S „1“ - 3,5 W, E/S „0“ - 1,5 W
	AL2-14MR-D, 24V CC	E/S „1“ - 4,0 W, E/S „0“ - 1,0 W
	AL2-24MR-A, 240V CA~	E/S „1“ - 5,5 W, E/S „0“ - 2,5 W
	AL2-24MR-A, 120V CA~	E/S „1“ - 4,5 W, E/S „0“ - 2,0 W
	AL2-24MR-D, 24V CC	E/S „1“ - 5,0 W, E/S „0“ - 1,0 W

FRE

2.2 Entrées

Tableau 2.2: Données techniques des entrées CA

Description	Données techniques		
	Unité principale		AL2-4EX-A2
	I01 - I08	I09 - I15	EI1 - EI4
Tension d'entrée	100 - 240V CA~, +10% -15%, 50/60 Hz		220 - 240V CA~, +10% -15%, 50/60 Hz
Courant d'entrée	0,13mA / 120V CA~*1 0,25mA / 240V CA~*1	0,15mA / 120V CA~*1 0,29mA / 240V CA~*1	7.5mA / 240V CA~ 50Hz 9.0mA / 240V CA~ 60Hz
Impédance d'entrée	$\geq 800 \text{ k}\Omega$		32k Ω (50Hz) 27k Ω (60Hz)
Signal 0 -> Signal 1 / Signal 1 -> Signal 0	$\geq 80V / \leq 40V$		$\geq 160V / \leq 40V$
Temps de réponse	Signal 0 -> Signal 1	35-85ms / 120V CA~ 25-55ms / 240V CA~	15 - 40ms / 240V CA~
	Signal 1 -> Signal 0	35-85ms / 120V CA~ 50-130ms / 240V CA~	
Isolement du circuit	Non		Optocoupleur
Affichage de service	Affichage à cristaux liquides		

*1 La perte de courant depuis les capteurs connectés aux entrées peut fournir assez de courant pour commuter le contrôleur sur ON. Ne pas connecter deux capteurs câblés aux terminaux d'entrée.

Tableau 2.3: Données techniques des entrées CC

Description			Sink ("-" Commun)	Source ("+" Commun)
Tension d'entrée			24V CC +20% -15%	24V CC +20% -15%
Courant d'entrée	Unité principale	I01 - I08	5,5mA, 24V CC	6,0mA, 24V CC
		I09 - I15		5,5mA, 24V CC
	AL2-4EX	EI1 - EI4	5,4mA, 24V CC	5,4mA, 24V CC
Signal 0 -> Signal 1 Signal 1 -> Signal 0	Unité principale	I01 - I15	Courant: $\geq 4,7\text{mA} / \leq 1,1 \text{ mA}$ Tension: $\leq 4V / \geq 18V$	Tension: $\geq 18V / \leq 4V$
	AL2-4EX	EI1 - EI4	Tension: $\geq 18V / \leq 4V$	Tension: $\geq 18V / \leq 4V$
Temps de réponse	Unité principale		10 - 20ms	
	AL2-4EX*1		10 - 20ms	
Isolement du circuit	Unité principale		Non	
	AL2-4EX		Optocoupleur	
Affichage de service			Affichage à cristaux liquides	

*1 EI1 et EI2 pour le AL2-4EX peuvent être utilisés pour les entrées du compteur à grande vitesse. Toutefois, le temps de réponse pour les entrées du compteur à grande vitesse est de 0,5 ms ou moins.

**Tableau 2.4: Données techniques des entrées analogiques
(Seulement unité de type AL2-***-D)**

Description	Données techniques des entrées analogiques
Nombre d'entrées analogiques	8 (I01 - I08)
Gamme d'entrées analogiques	0 - 500
Résolution	9 bits, 20mV (10000/ 500mv)
Vitesse de conversion	8ms
Tension d'entrée	0 - 10V CC
Impédance d'entrée	142k Ω \pm 5%
Précision générale	\pm 5% (0.5V CC)
Offset/Gain	Valeur Offset = 0 à 0V CC Valeur Gain: 0 - 10V = 0 - 250 Les paramètres par défaut peuvent être modifiés dans le bloc de fonction Offset
Glissement de température	\pm 3 LSB

FRE

2.3 Sorties

Tableau 2.5: Données techniques des sorties relais

Description		Données techniques
Tensions de démarrage		250V CA~ ou moins, 30V CC ou moins
Charge résistive maxi.	AL2-14MR-* (O01 - O06)	8A/commun
	AL2-24MR-* (O01 - O04)	
	AL2-24MR-* (O05 - O09)	2A/point (4A/commun)
	AL2-4EYR (EO1 - EO4)	2A/point
Durée de vie des contacts / Résistance	AL2-14MR-* (O01 - O06)	100000 Cycles à 8 A / 240V CA~ ou 24V CC
	AL2-24MR-* (O01 - O04)	
	AL2-24MR-* (O05 - O09)	100000 Cycles à 2 A / 240V CA~ ou 24V CC
	AL2-4EYR (EO1 - EO4)	
Charge min.		50mW (10mA à 5V CC)
Charge inductive maxi.	AL2-14MR-* (O01 - O06)	249 VA (1/3 hp) / 125V CA~, 373 VA (1/2 hp) / 250V CA~
	AL2-24MR-* (O01 - O04)	
	AL2-24MR-* (O05 - O09)	93 VA (1/8 hp) / 125V CA~, 93 VA (1/8 hp) / 250V CA~
	AL2-4EYR (EO1 - EO4)	
Temps de réponse		≤ 10 ms
Affichage de service		Affichage à cristaux liquides
Isolement du circuit		par relais

Tableau 2.6: Données techniques des sorties transistors (seulement source) pour AL2-4EYT

Description	Données techniques
Tensions de démarrage	5 - 24V CC (+ 20%, -5%)
Charge résistive maxi.	1A / borne (8 - 24V CC), 0,1A / borne (5 - 8V CC)
Charge min.	1,0mA
Charge inductive max.	1A / 24V CC (24 W)
Temps de réponse 1 -> 0 / 0 -> 1 (env.)	≤ 1 ms
Courant de fuite	$\leq 0,1$ mA / 24V CC
Affichage de service	Affichage à cristaux liquides
Isolement du circuit	Optocoupleur

2.4 Caractéristiques générales

Tableau 2.7: Conditions ambiantes

Description	Données techniques
Méthode de programmation	Bloc de fonction
Capacité du programme	200 blocs de fonction ou 5000 Bytes
Sauvegarde du programme	EEPROM incorporé (pas de pile nécessaire) ou cassette EEPROM facultative (AL2-EEPROM-2)
Sauvegarde des opérandes	20 jours à 25°C / 77°F (par condensateur)
Sauvegarde de l'horloge temps réel	20 jours à 25°C / 77°F (par condensateur)
Précision de l'horloge temps réel	5 s / jour (25°C / 77°F)
Température de fonctionnement	Matériel du contrôleur : (-25) - 55°C / (-13) - 101°F Affichage du contrôleur : (-10) - 55°C / 14 - 101°F
Température de stockage	(-30) - 70 °C / (-22) - 158°F
Résistance aux vibrations Montage direct	selon IEC 68-2-6;10-57 Hz: 0,15 mm amplitude constante 57-150 Hz: 19,6 m/s ² Accélération Nombre de balayages pour X,Y,Z: 10 fois (80 min. dans les 3 directions d'axe)
Résistance aux vibrations Montage sur rail DIN	selon IEC 68-2-6; 10-57 Hz: 0,075 mm amplitude constante 57-150 Hz: 9,8 m/s ² Accélération Nombre de balayages pour X,Y,Z: 10 fois (80 min. dans les 3 directions d'axe)
Résistance aux chocs	selon IEC 68-2-27: 147m/s ² Accélération, temps d'action: 11 ms 3 fois dans les 3 directions d'axe X,Y et Z
Résistance aux tensions parasites	1000Vpp, 1 microseconde, 30 - 100 Hz, testé par simulateur de bruits
Humidité	Humidité relative 35 - 85%, sans condensation
Rigidité diélectrique	3750V CA > 1 min par IEC60730-1 entre les points suivants: Bornes de tension/des entrées et bornes des sorties relais Bornes de des sorties relais et bornes des sorties relais Toutes les bornes et le coffret (DIN 43880) et d'autres
Résistance d'isolement	7 Mohm à 500V CC par IEC60730-1 entre les points suivants: Bornes de tension/des entrées et bornes des sorties relais Bornes de des sorties relais et bornes des sorties relais Toutes les bornes et le coffret (DIN 43880) et d'autres
Type d'action	IEC 60730-1, paragraphe 6.4.3 - Type 1C (Sorties relais)
Type d'action	IEC 60730-1, paragraphe 6.4.3 - Type 1Y (Sorties transistor)
Classe du logiciel	IEC 60730-1, paragraphe H6.18 - Classe A
But de la commande	IEC 60730-1, paragraphe 2.2 - Commande électrique
Construction des commandes	IEC 60730-1, paragraphe 6.15 - Commandes intégrées
Pour les commandes électriques	IEC 60730-1, paragraphe H2.5.7 - Commande électronique
Classe de sécurité	II

FRE

Tableau 2.7: Conditions ambiantes

Description	Données techniques
Degré de pollution	2
Prise de terre	Non
Isolation électrique	Isolation primaire et secondaire renforcée
Conditions d'environnement	Éviter les atmosphères chargées en gaz corrosifs, montage à l'abri de la poussière
Protection	IP 20
Température pour le test de pression de balle	75°C (167°F)
Directive CE	EMC, LVD
Certifications	UL/cUL
Déclaration de conformité	TÜV PRODUCT SERVICE
Conforme aux normes suivantes	UL 508* ¹ IEC60730-1* ¹ EN61010-1 EN50081-1* ¹ EN50082-1 EN 61000-6-2
Affichage à cristaux liquides	Permettra d'afficher quatre lignes de 12 caractères, mode Exécution de programme marche/arrêt, sécurisation par mot de passe, tables d'images et de blocs de fonction durant la programmation.

*1 AL2-ASI-BD ne répond pas à ces standards.

3. Installation

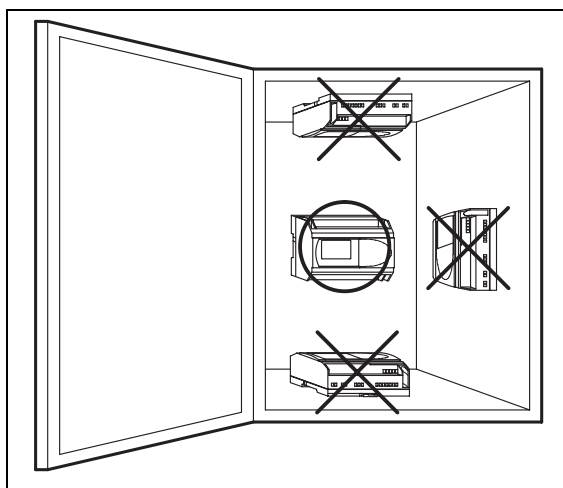
3.1 Conseils pour l'installation



La conception de sécurité du contrôleur $\alpha 2$ signifie que l'utilisateur peut l'installer presque partout, mais toutefois en prenant en considération les points suivants.

- Ne pas installer le système dans des endroits où l'atmosphère est riche en poussières conductrices, en gaz corrosifs ou inflammables. Ne pas l'exposer à l'humidité ou à la pluie, à une chaleur excessive, à des chocs ou à des vibrations importantes. Ne pas le mettre dans l'eau, protéger le contrôleur contre les risques d'infiltration d'eau.
- Veuillez à ce qu'aucun élément étranger ne tombe dans l'appareil.
- Éloignez autant que possible l'appareil des câbles et équipements haute tension, ainsi que des appareils de puissance.
- Le contrôleur $\alpha 2$ doit être installé dans un coffret conforme à la norme DIN 43880 ou dans un boîtier de commande.

Figure 3.1: Exemple de montage



- Utilisez des vis M4 pour l'assemblage par trous filetés.
- Les connecteurs doivent être recouverts pour éviter de vous blesser en touchant des fils sous tension.
- Laissez au moins 10 mm d'espace pour l'aération entre les bords supérieur et inférieur du contrôleur $\alpha 2$ et les parois qui le renferment.
- Ne désassemblez pas le contrôleur $\alpha 2$.



Remarque

- Se référer au chapitre 6 lors de l'installation ou de l'enlèvement du AL2-EEPROM-2.
- Se référer au chapitre 7 lors de l'installation ou de l'enlèvement de l' AL-232CAB.
- Se référer au chapitre 8 lors de l'installation ou de l'enlèvement du AL2-GSM-CAB.

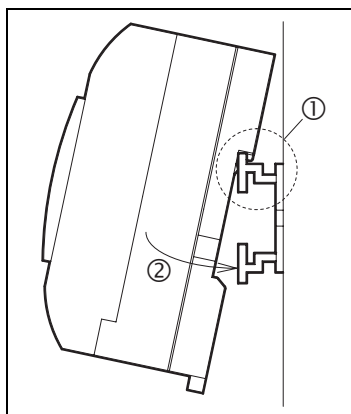
FRE

3.2 Montage de l'unité principale sur rail DIN

Les appareils peuvent être montés sur un rail DIN 35 mm (DIN EN 50022) par encochage. Pour le démontage de l'appareil, retirez le dispositif de montage rapide à l'aide d'un tournevis et ôtez l'appareil du rail.

3.2.1 Installation

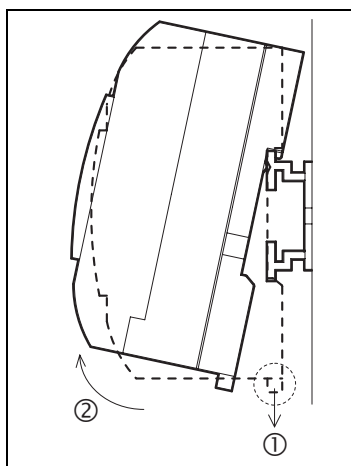
Figure 3.2: Installation



Alignez tout d'abord la partie supérieure du rail dans la rainure prévue à cet effet sur le contrôleur (①) et enfoncez la partie inférieure sur le rail (②).

3.2.2 Enlèvement

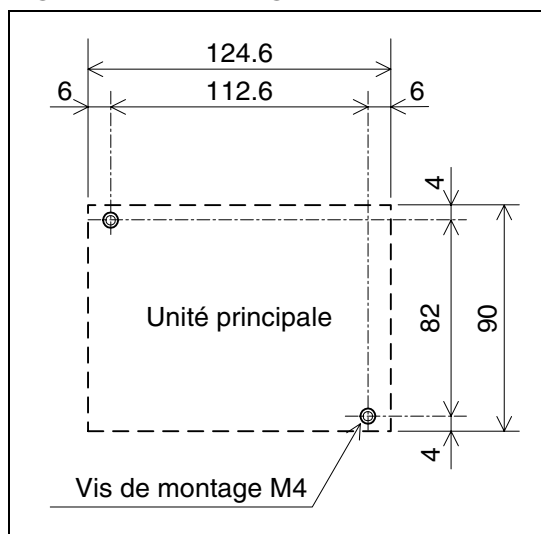
Figure 3.3: Enlèvement



Tirez le crochet du rail DIN vers le bas (①) et enlevez le contrôleur $\alpha 2$ du rail DIN (②).

3.3 Montage direct de l'unité principale

Figure 3.4: Montage direct



FRE

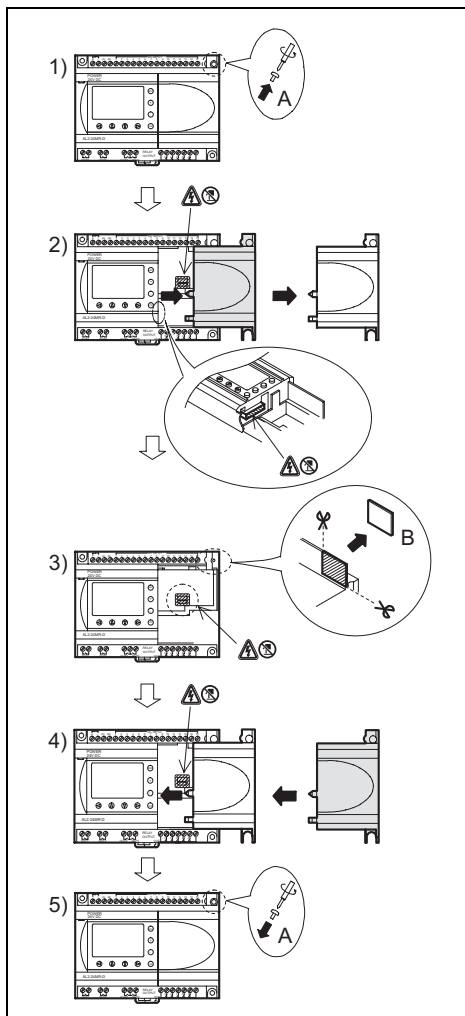
3.4 Installation du module d'extension



Attention!

Déconnecter toutes les bornes d'alimentation avant d'enlever le couvercle.

Figure 3.5: Installation



- 1) Dévissez la vis «A».
- 2) Retirez avec précaution le couvercle du port d'extension.
- 3) Découpez la partie «B» de l'unité de base du contrôleur $\alpha 2$.
- 4) Montez le module d'extension sur l'unité principale.
- 5) Remettez la vis «A» en place et vissez-la en exerçant un couple de serrage compris entre 0,4 Nm.

4. Câblage

4.1 Remarques sur le câblage de l'installation



Le câblage du contrôleur $\alpha 2$ a été conçu pour être sûr et simple. Toutes les opérations liées au câblage du contrôleur $\alpha 2$ doivent être effectuées par un technicien ou un ingénieur compétent en matière de normes électriques nationales et locales. Coupez le courant avant de procéder à toute opération de câblage.

- Les câbles d'entrée et de sortie ne doivent pas passer par un même câble renfermant plusieurs conducteurs internes ou partager le même faisceau de câbles.
- Ne posez pas les câbles d'entrée/de sortie près des câbles de haute tension.
- La longueur du câble d'entrée et de sortie doit être inférieure à 30 m.

Des longues distances de câbles provoquent des chutes de tension et des perturbations. Utilisez des câbles de taille adaptée à la tension.



Utilisez pour serrer les bornes d'entrée un tournevis à fente de 3 mm.

FRE

4.2 Dimension des câbles

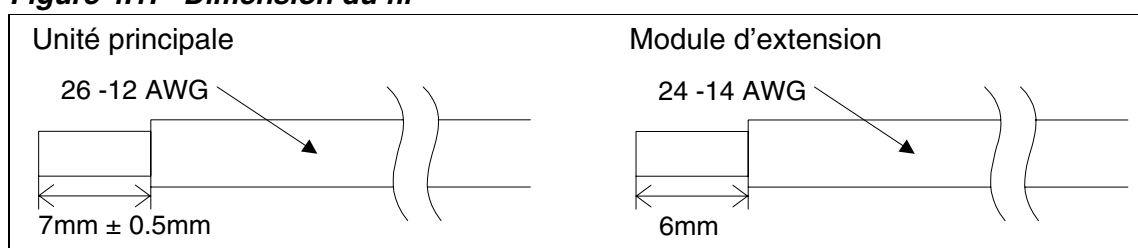
Utilisez les câbles suivants pour le câblage des entrées et sorties. Dénudez le câble selon les indications fournies dans le tableau suivant (voir le tableau 4.1 et la figure 4.1). Avant de raccorder un câble, dévissez la borne au maximum. Insérez la totalité du câble dénudé dans la borne, afin qu'une connexion sans perturbation soit garantie.

Pour les boulons à tête conique des bornes, utilisez un tournevis à fente de 3 mm.

Tableau 4.1: Dimension du fil

	Dimension du fil	Longueur du fil dénudé
Unité principale	26 - 12 AWG (0.13 - 3.31mm ²)	7mm \pm 0.5mm
Module d'extension	24 - 14AWG (0.2 - 2.5mm ²)	6mm \pm 0.5mm

Figure 4.1: Dimension du fil



Remarque:

- Afin d'éviter un endommagement du câble, serrer avec un couple de 0,5~0,6 N·m.
- Veuillez ne pas utiliser d'étain, de soudure ou toute autre substance sur le câble dénudé, ce qui pourrait provoquer une rupture du toron.
 - Câble torsadé:
Enlevez la gaine. Après avoir torsadé l'extrémité du câble, raccordez le câble.
 - Câble simple:
Enlevez la gaine et connectez ensuite le câble.

4.3 Alimentation



- Lors du branchement à une alimentation courant alternatif (CA), le câble L doit être branché sur la borne L, et le câble N sur la borne N. NE PAS BRANCHER le câble L sur la borne “ N ”, il y a risque d'électrocution au moment de la mise sous tension.
- Lors du branchement à une alimentation à courant continu (CC), le câble positif doit être branché sur la borne (+), et le câble négatif sur la borne (-). Le branchement de l'alimentation ne doit en aucun cas être effectué sur une autre borne de l'appareil. Les unités d'alimentation en courant continu devraient être en mesure de fournir un courant d'une intensité de 4 ampères au contrôleur.

Figure 4.2: Câblage de l'alimentation recommandé

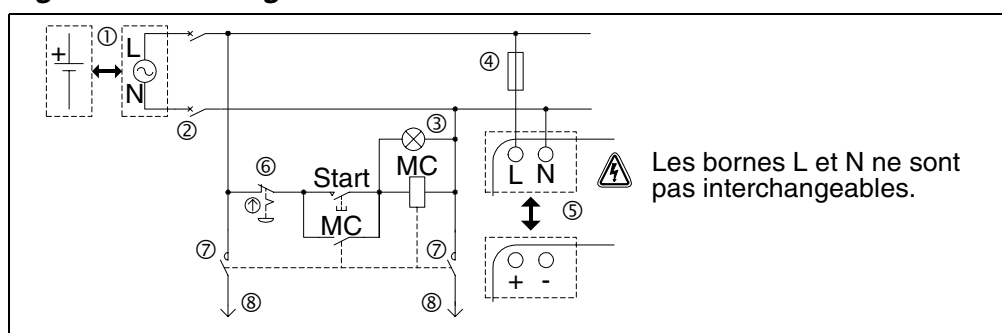


Tableau 4.2: Alimentation

No.	Description
1	Alimentation AL2-***-A: 100-240V CA~, 50/60Hz AL2-***-D: 24V CC
2	Dispositif d'isolement des circuits
3	Indicateur de tension MARCHE
4	Dispositif de protection (courant maxi 1,0A)
5	Contrôleur $\alpha 2$
6	Interrupteur d'arrêt d'urgence
7	Contact du commutateur magnétique
8	Alimentation en courant pour résistance ohmique

FRE

4.4 Câblage de l'alimentation CA et de l'entrée

4.4.1 Câblage de l'alimentation CA et de l'entrée

Figure 4.3: Plan de câblage de l'alimentation CA et de l'entrée

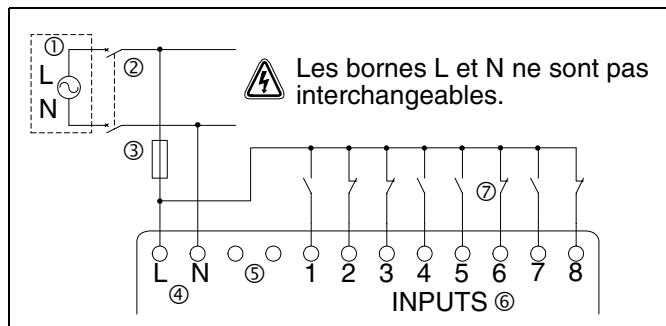


Tableau 4.3: Câblage de l'alimentation CA et de l'entrée

No.	Description
1	Alimentation CA: 100-240V CA~ 50/60Hz
2	Dispositif d'isolement des circuits
3	Dispositif de protection (courant maxi 1,0A)
4	Bornes de tension CA
5	Bornes non utilisées
6	Bornes des entrées
7	Commutateurs d'entrée numérique

4.4.2 Câblage de l'entrée AL2-4EX-A2

Figure 4.4: Plan de câblage de l'entrée AL2-4EX-A2

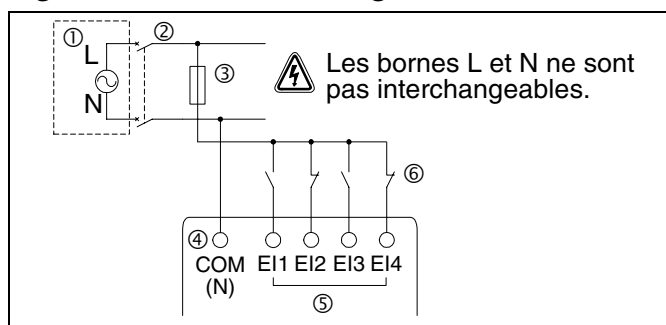


Tableau 4.4: Câblage de l'alimentation CA et de l'entrée

No.	Description
1	Alimentation CA: 220-240V CA~ 50/60Hz
2	Dispositif d'isolement des circuits
3	Dispositif de protection (courant maxi 1,0A)
4	Borne COM (N)
5	Bornes des entrées
6	Commutateurs d'entrée numérique

4.5 Câblage de l'alimentation CC et de l'entrée

4.5.1 Plan de câblage de l'alimentation CC et de l'entrée source ("+" commun)

Figure 4.5: Plan de câblage de l'alimentation CC et de l'entrée source ("+" commun)

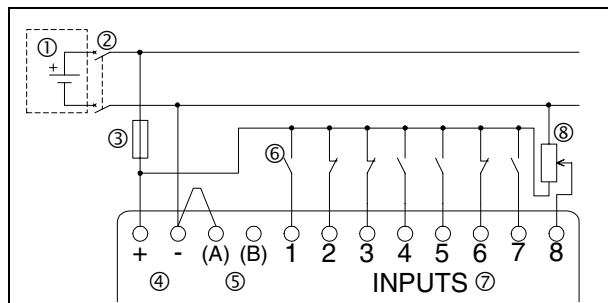


Tableau 4.5: Câblage de l'alimentation CC et de l'entrée source ("+" commun)

No.	Description
1	Alimentation CC: 24V CC
2	Dispositif d'isolement des circuits
3	Dispositif de protection (courant maxi 1,0A)
4	Bornes de tension CC
5	Bornes des entrées Sink/Source
6	Commutateurs d'entrée du capteur
7	Bornes des entrées
8	Entrée analogique

4.5.2 Plan de câblage de l'entrée source ("+" commun) AL2-4EX

Figure 4.6: Plan de câblage de l'entrée source ("+" commun) AL2-4EX

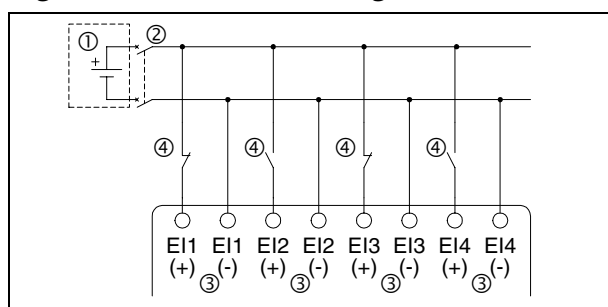


Tableau 4.6: Câblage de l'alimentation CC et de l'entrée source ("+" commun)

No.	Description
1	Alimentation CC: 24V CC
2	Dispositif d'isolement des circuits
3	Bornes des entrées
4	Entrée analogique



Remarque

Chaque borne d'entrée (EI1 ~ EI4) peut être utilisée comme entrée source ou entrée sink.

FRE

4.5.3 Plan de câblage de l'alimentation CC et de l'entrée ("-")

Figure 4.7: Plan de câblage de l'alimentation CC et de l'entrée ("-")

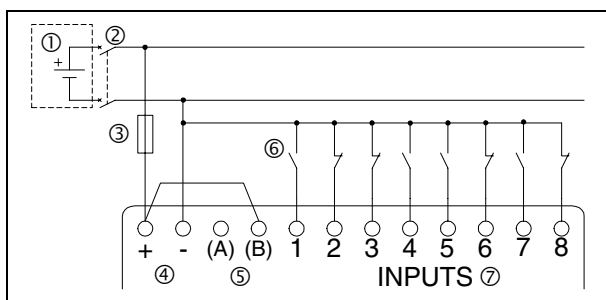


Tableau 4.7: Plan de câblage de l'alimentation CC et de l'entrée ("-")

No.	Description
1	Alimentation CC: 24V CC
2	Dispositif d'isolement des circuits
3	Dispositif de protection (1,0A)
4	Bornes de tension CC
5	Bornes des entrées Sink/Source
6	Commutateurs d'entrée du capteur
7	Bornes des entrées

4.5.4 Plan de câblage de l'entrée sink ("-") AL2-4EX

Figure 4.8: Plan de câblage de l'entrée sink ("-") AL2-4EX

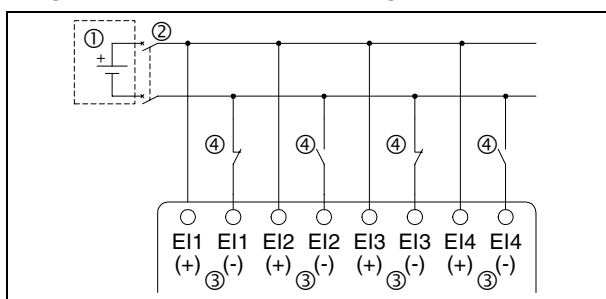


Tableau 4.8: Plan de câblage de l'alimentation CC et de l'entrée ("-")

No.	Description
1	Alimentation CC: 24V CC
2	Dispositif d'isolement des circuits
3	Bornes des entrées
4	Commutateurs d'entrée du capteur



Remarque

Chaque borne d'entrée (EI1 ~ EI4) peut être utilisée comme entrée source ou entrée sink.

4.6 Câblage des sorties relais et transistors

4.6.1 Plan de câblage de la sortie relais de l'unité principale (CA et/ou CC)

Figure 4.9: Plan de câblage de la sortie relais de l'unité principale (CA et/ou CC)

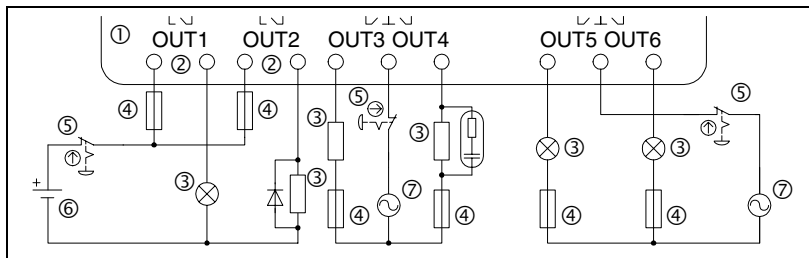


Tableau 4.9: Plan de câblage de la sortie relais de l'unité principale (CA et/ou CC)

No.	Description
1	Contrôleur $\alpha 2$
2	Sorties s'excluant l'une l'autre
3	Dispositifs de sortie
4	Fusible (cf. le Tableau 4-10)
5	Interrupteur d'arrêt d'urgence
6	Tension CC
7	Tension CA

Tableau 4.10: Tableau de la protection contre les courts-circuits des sorties relais

Modèle	Nombre de sorties	Charge résistive maxi.	Protection du circuit (fusible)
AL2-14MR-*	O01~O06	8A / au total	$\leq 10A$ / Circuit
AL2-24MR-*	O01~O04		$\leq 10A$ / Circuit
	O05~O09	2A / borne (4A / au total)	$\leq 3A$ / Circuit

FRE

4.6.2 Plan de câblage de la sortie relais AL2-4EYR (CA et/ou CC)

Figure 4.10: Plan de câblage de la sortie relais AL2-4EYR (CA et/ou CC)

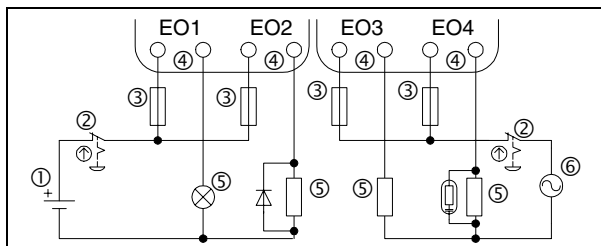


Tableau 4.11: Plan de câblage de la sortie relais AL2-4EYR (CA et/ou CC)

No.	Description
1	Tension CC
2	Interrupteur d'arrêt d'urgence
3	Fusible ($\leq 3A$)
4	Sorties s'excluant l'une l'autre
5	Dispositifs de sortie
6	Tension CA

Tableau 4.12: Tableau de la protection contre les courts-circuits des sorties relais

Modèle	Nombre de sorties	Charge résistive maxi.	Protection du circuit (fusible)
AL2-4EYR	EO1~EO4	2A / borne	$\leq 10A$ / Circuit

4.6.3 Plan de câblage de la sortie transistor (source ou seulement “+” commun) AL2-4EYT

Figure 4.11: Plan de câblage de la sortie transistor (source/ “+” commun seulement) AL2-4EYT

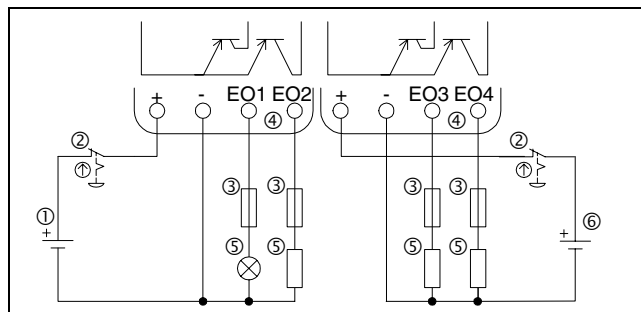


Tableau 4.13: Sorties transistors

No.	Description
1	Alimentation CC pour sorties, 24V CC
2	Interrupteur d'arrêt d'urgence
3	Dispositif de protection (cf. Tableau 4-14)
4	Bornes de sorties
5	Dispositifs de sortie
6	Alimentation CC pour sorties, 12V CC

FRE

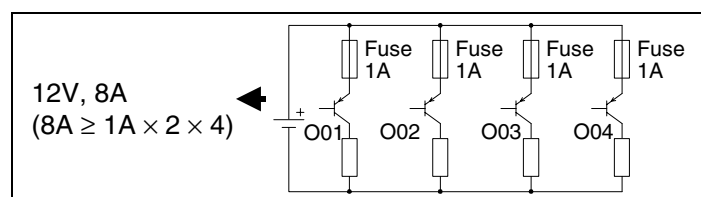
Tableau 4.14: Protection pour sorties transistors

Tension	Protection du circuit (fusible)
5V CC	≤ 0,3A / Circuit
12V CC	≤ 2,0A / Circuit *1
24V CC	≤ 2,0A / Circuit *1

*2 Capacité de la source d'alimentation ≥ taille fusible × 2



Figure 4.12: Exemple de calcul de la taille du fusible



Remarque;



Tableau 4.15: Bornes de sorties

Volt	Bornes de sorties
5	Toutes les bornes d'entrée peuvent être câblées dans un circuit.
12-24	Toutes les bornes d'entrée peuvent être câblées dans un circuit.
5,12,24	Un circuit séparé doit être utilisé pour chacune des trois plages de tension.

MEMO

5. Affectation des bornes

Figure 5.1: AL2-14MR-A, Entrée CA, Sortie relais

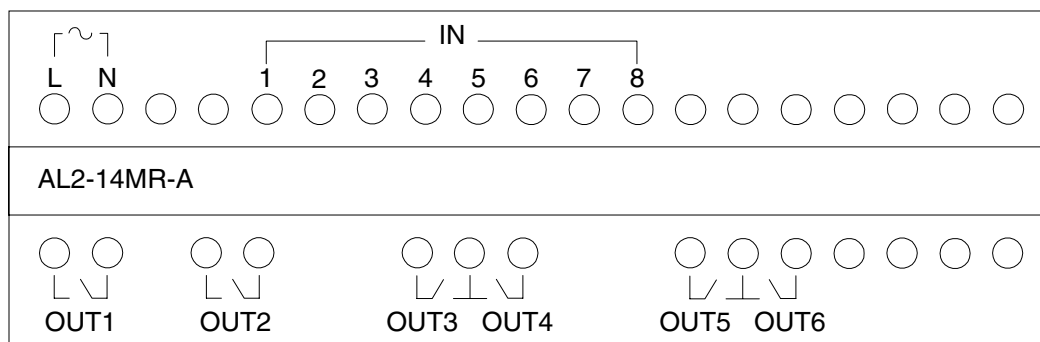


Figure 5.2: AL2-14MR-D, Entrée CC, Sortie relais

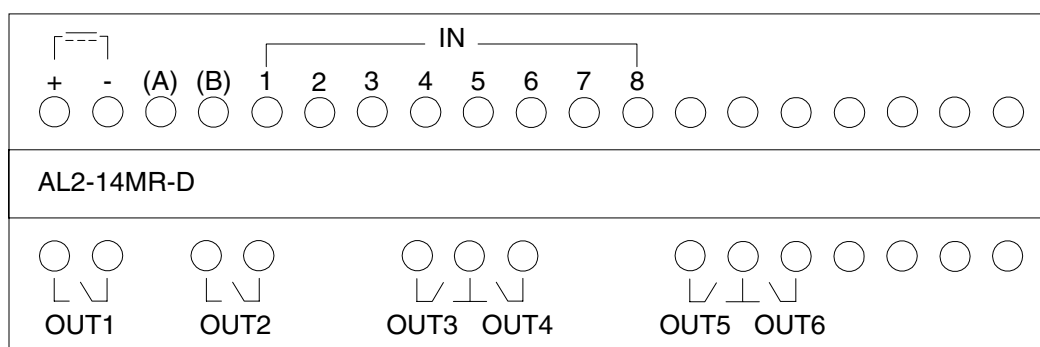


Figure 5.3: AL2-24MR-A, Entrée CA, Sortie relais

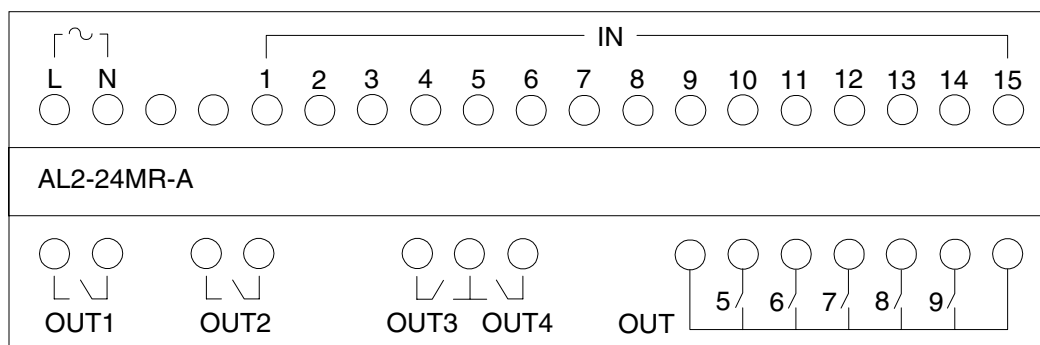
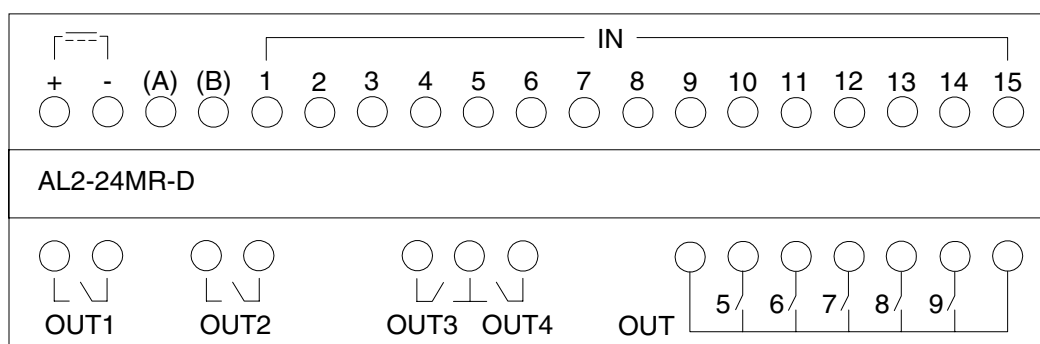


Figure 5.4: AL2-24MR-D, Entrée CC, Sortie relais



FRE

Figure 5.5: AL2-4EX-A2, 220-240V Entrée CA

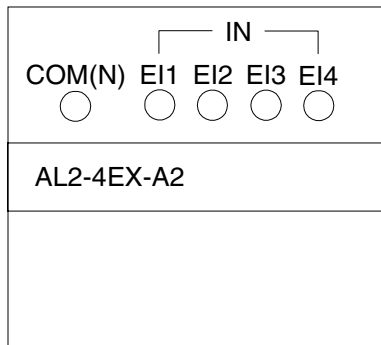


Figure 5.6: AL2-4EX, Entrée CC

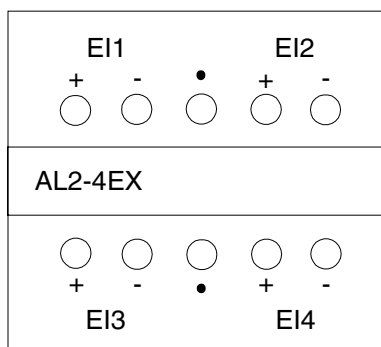


Figure 5.7: AL2-4EYR, Sortie relais

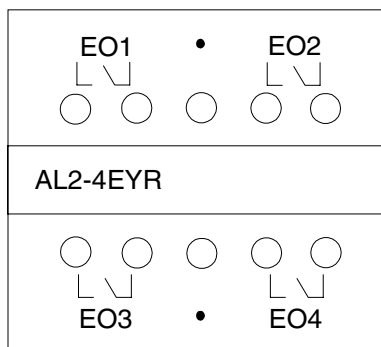
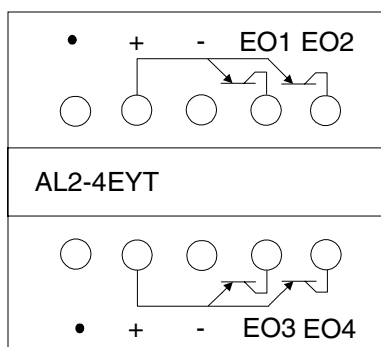


Figure 5.8: AL2-4EYT, Sortie transistor



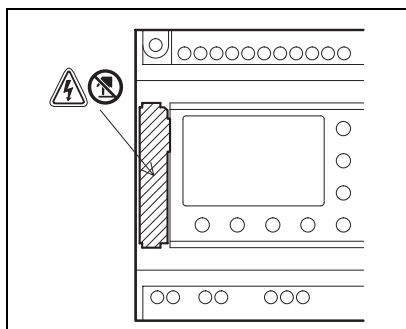
6. AL2-EEPROM-2

La cassette mémoire AL2-EEPROM-2 doit être utilisée exclusivement en association avec les contrôleurs $\alpha 2$ (Modèle: AL2-**M*-*).



Attention

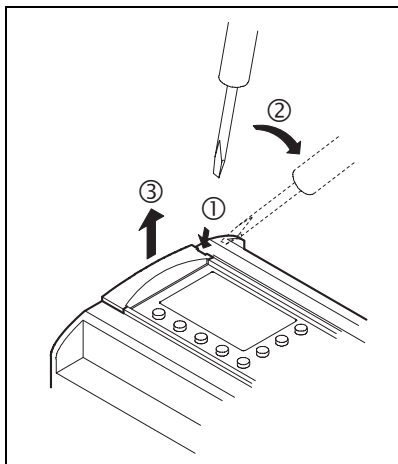
- Seules les personnes formées conformément aux standards locaux et nationaux sont habilitées à remplacer la cassette mémoire.
- Coupez l'alimentation électrique avant d'installer ou de remplacer la cassette mémoire.
- Remplacez le couvercle après avoir retiré la cassette mémoire.
- Veillez à ne pas vous coincer les doigts lors de l'installation du couvercle ou de la cassette mémoire.
- NE PAS toucher l'élément suivant en enlevant le couvercle ou la cassette mémoire.



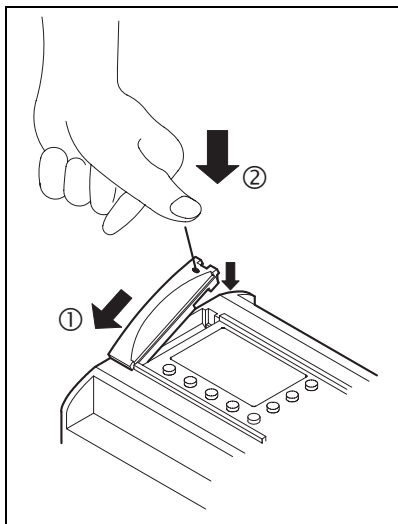
FRE

6.1 Installation

1) Marche à suivre pour retirer le couvercle et la cassette mémoire



2) Marche à suivre pour remettre le couvercle et la cassette mémoire



7. AL-232CAB

7.1 Installation

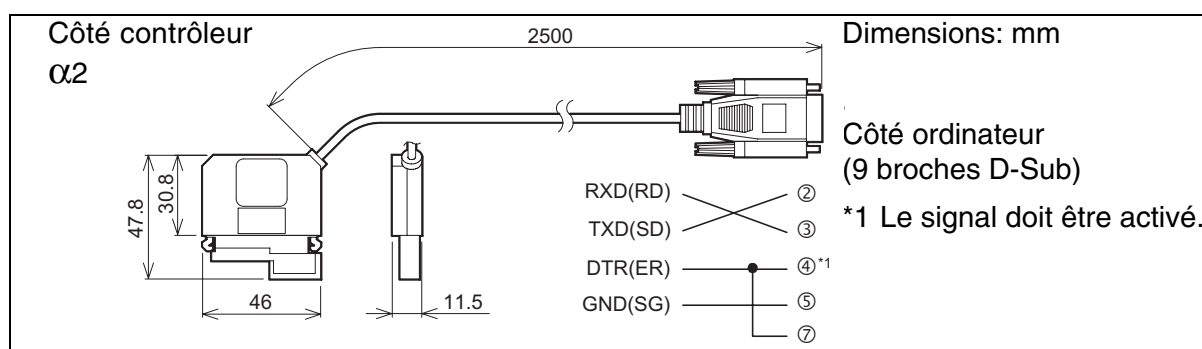
Le câble AL-232CAB est un câble RS-232C connecté entre le contrôleur α (α , $\alpha 2$) et un ordinateur personnel sur lequel se trouve le logiciel de programmation.



Remarque

- Le câble AL-232CAB ne peut pas être utilisé pour une autre application.
- Le câble AL-232CAB dépasse du panneau supérieur de 40 mm environ lorsqu'il est connecté au contrôleur $\alpha 2$.

7.1.1 Dimensions



FRE

7.2 Connexion avec le câble AL-232CAB



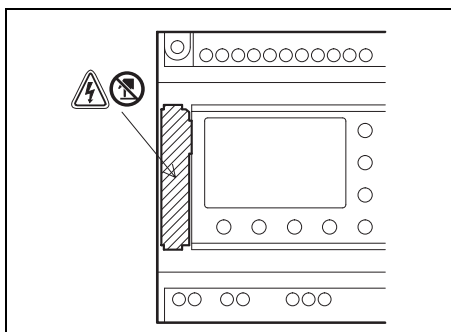
Enlèvement du couvercle et de la cassette mémoire

- Veuillez lors de l'enlèvement du couvercle de ne pas vous blesser avec l'outil.

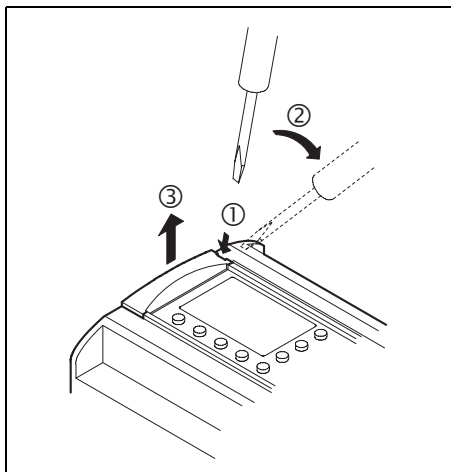


Attention

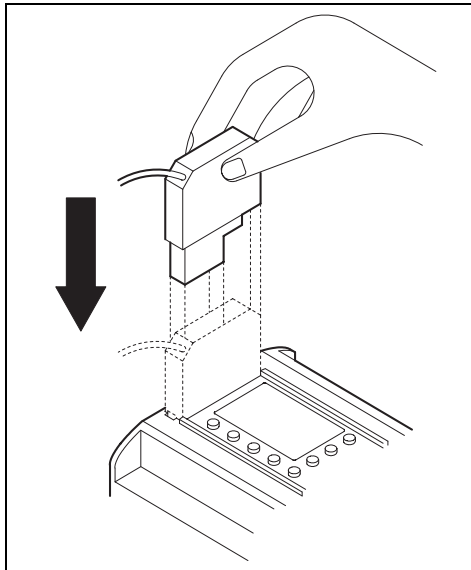
- Mettez l'appareil hors tension avant d'installer ou de retirer le câble AL-232CAB.
- Installez le couvercle ou la cassette mémoire après avoir enlevé le câble AL-232CAB.
- Veillez à ne pas vous coincer les doigts lors de l'installation du couvercle ou de la cassette mémoire.
- Utilisez un outil pointu et soulevez la prise du câble aux deux encoches. Ne tirez jamais sur le câble.
- NE PAS toucher l'élément suivant en enlevant le couvercle, la cassette mémoire ou ce câble.



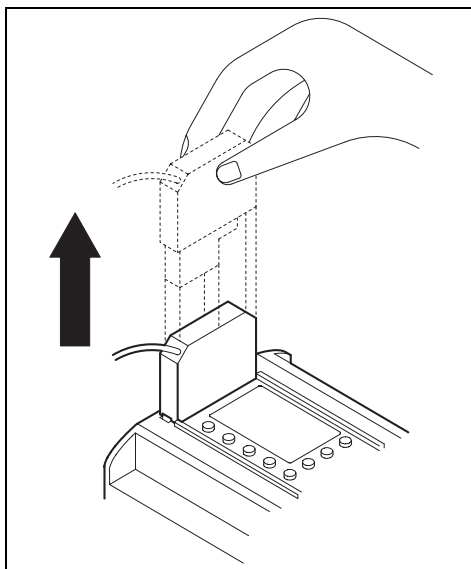
1) Marche à suivre pour retirer le couvercle et la cassette mémoire



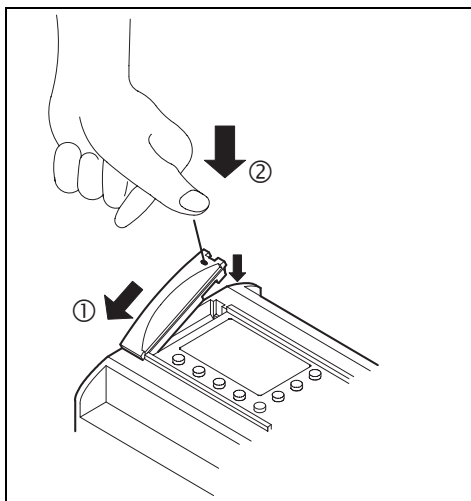
2) Marche à suivre pour raccorder le câble AL-232CAB



3) Marche à suivre pour débrancher le câble AL-232CAB



4) Marche à suivre pour remettre le couvercle et la cassette mémoire



FRE

MEMO

8. AL2-GSM-CAB

8.1 Introduction

Le AL2-GSM-CAB peut être utilisé pour connecter le contrôleur $\alpha 2$ à un modem normal ou à un modem GSM. Le AL2-GSM-CAB peut transférer des données SMS (Short Message Service) à un modem GSM pour la transmission à des téléphones portables ou à des adresses de courrier électronique ou pour faciliter les fonctions de surveillance à distance et les transferts de programme avec des modems normaux.

Vous trouverez de plus amples informations dans le manuel de programmation $\alpha 2$ et le manuel logiciel α .



Remarques:

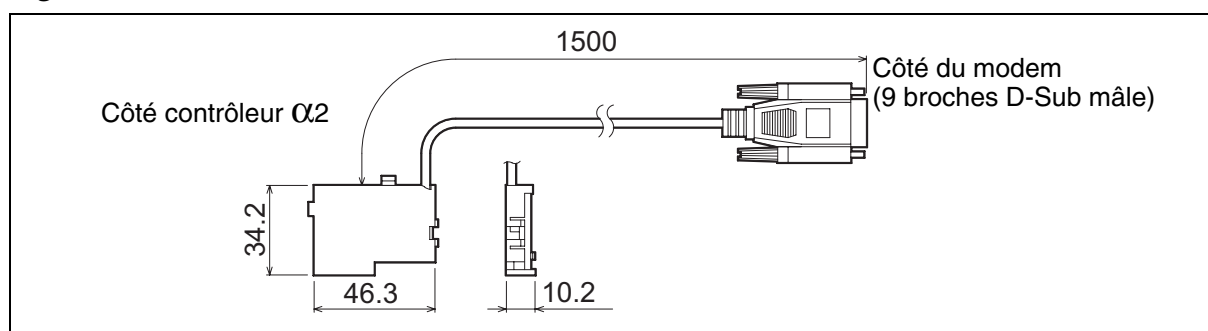
- Ce câble ne peut pas être utilisé pour d'autres applications.
- Ce câble ne peut pas être utilisé en association avec le contrôleur α (Modèle: AL-**M*-*).
- Une communication simultanée par les deux interfaces du contrôleur $\alpha 2$ peut entraîner un endommagement du programme ou une défaillance du contrôleur.

FRE

8.2 Dimensions

Figure 8.1: Dimensions

Dimensions : mm



8.2.1 Configuration du système en utilisant AL2-GSM-CAB

Figure 8.2: Configuration du système avec AL2-GSM-CAB

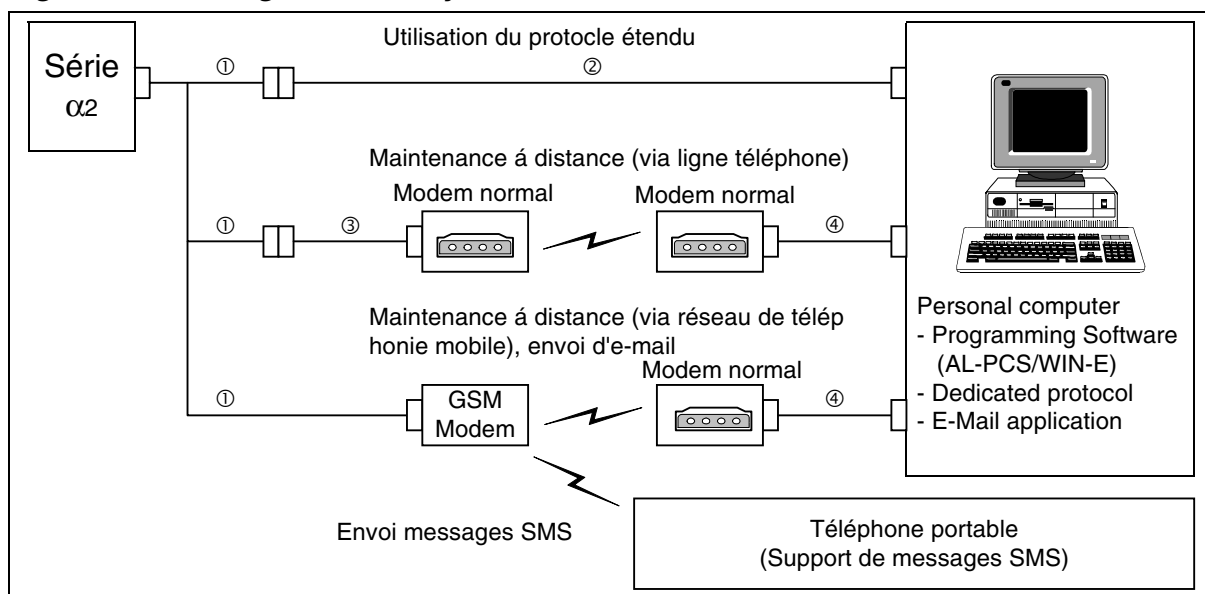
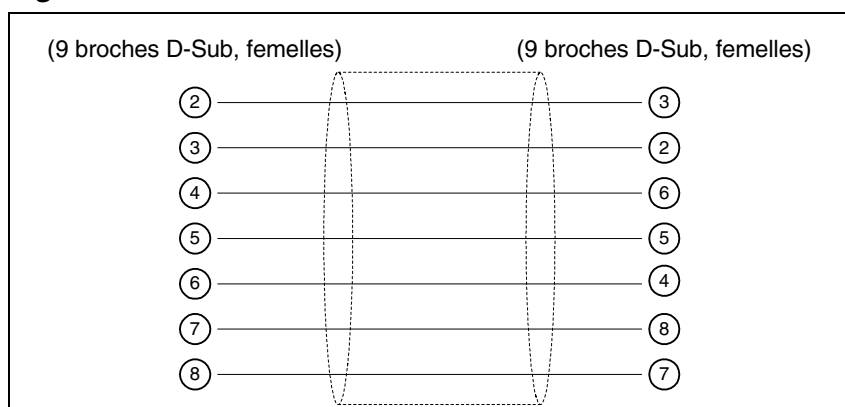


Tableau 8.1: Configuration du système avec AL2-GSM-CAB

Élément	Câble utilisé
1	AL2-GSM-CAB
2	RS-232C câble sériel (voir figure 8.3)
3	RS-232C câble pour le modem (voir figure 8.5)
4	RS-232C câble pour le modem (spécifié par le fabricant du modem)

Figure 8.3: Affectation des bornes du câble sériel RS-232C



Remarque :

Les signaux 4 et 7 doivent être mis au niveau élevé du côté de l'ordinateur. Si ces signaux ne sont pas positionnés, il ne sera pas possible de communiquer avec $\alpha 2$.

8.3 Installation

Se référer à la figure 8.4 lors de l'installation du AL2-GSM-CAB.

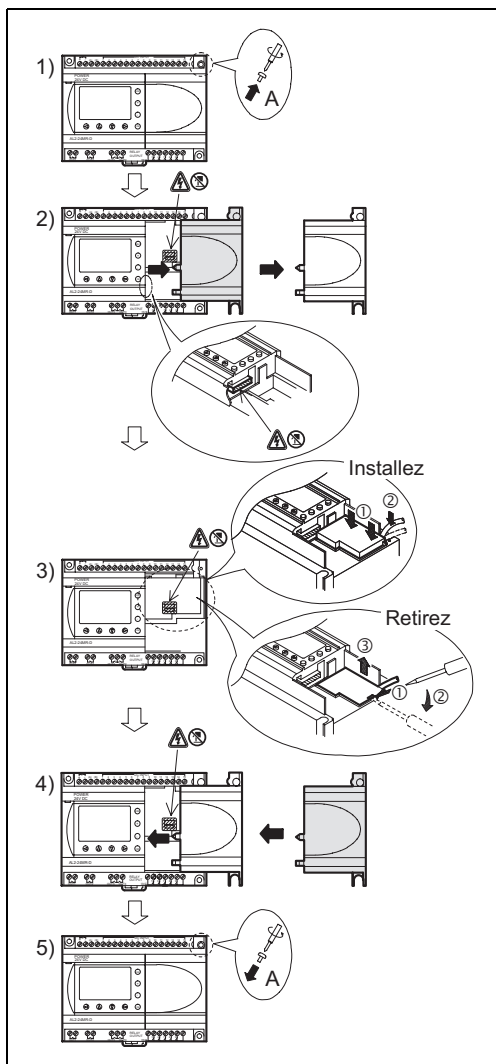


Attention!

- Seules les personnes formées conformément aux standards électriques locaux et nationaux sont habilitées à installer et à remplacer le AL2-GSM-CAB.
- Couper l'alimentation électrique avant d'installer ou de remplacer le AL2-GSM-CAB.
- Replacer le couvercle après avoir installé ou enlevé le AL2-GSM-CAB.
- Mitsubishi Electric ne répondra ou ne sera rendu responsable en aucun cas des dommages consécutifs à l'installation ou à l'utilisation de cet équipement.
- Ne pas tirer sur le cordon.
Tirer sur le cordon peut endommager le câble.
- Lors de la communication avec les contrôleurs $\alpha 2$ via un modem GSM, l'alimentation des deux unités doit être mise en marche en même temps. Si elles ne sont pas mises en route au même instant, les contrôleurs $\alpha 2$ ne communiqueront pas via le modem GSM.
- Déconnecter toutes les bornes d'alimentation avant d'enlever le couvercle.

FRE

Figure 8.4: Installation



- 1) Dévissez la vis 'A' et conservez-la.
- 2) Retirez avec précaution le couvercle du port d'extension $\alpha 2$ monté en usine ou le couvercle du module spécial.
- 3) Installez le AL2-GSM-CAB dans son emplacement, placer soigneusement le câble dans le canal situé sur le côté de connexion de l'entrée.
- 4) Fixez le couvercle $\alpha 2$ ou le module spécial en faisant attention qu'aucune interférence avec le AL2-GSM-CAB n'intervienne.
- 5) Remettez la vis 'A' en place et vissez-conservez-la avec un couple de serrage compris entre 0,4 Nm.

8.4 Installation du modem

Vous trouverez de plus amples informations sur les procédures d'installation du modem dans le manuel de programmation $\alpha 2$. Le logiciel de programmation (AL-PCS/WIN-E) fournit la méthode d'installation du modem la plus facile.

8.4.1 Modems recommandés

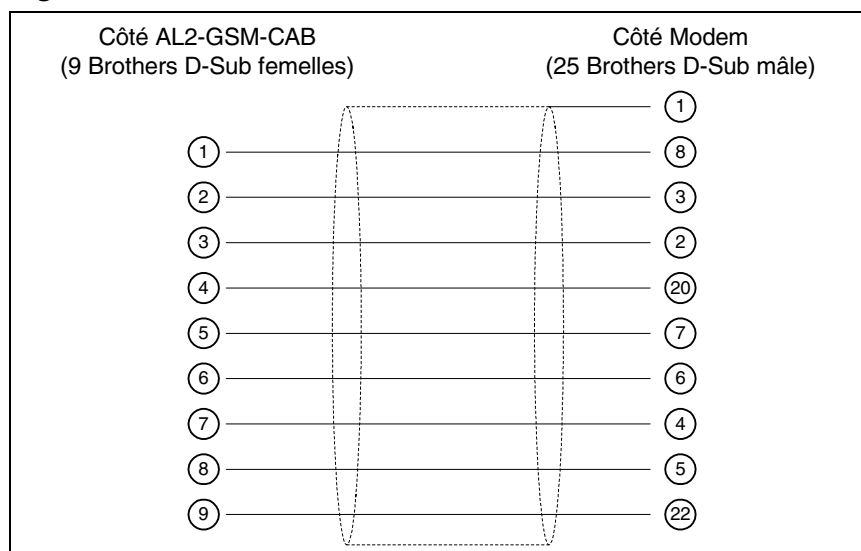
Les modems suivants ont été testés avec succès.

Tableau 8.2: Modems testés

Nom du fabricant	Nom du modèle	Instruction du modem (instruction AT)
3com	SP560V-P	ATE0Q1&B1&D0H0&I0&R1&S0S0=2S15=8&W
OMRON	ME3314	ATE0S0=2Q1&D0S15=8&R1&H0&W
AIWA	PV-AF3360	ATE0S0=2Q1&D0&M5\Q0\J0&W
Siemens	M20T	ATE0S0=2&S0;+IFC=0,0;+CMEE=1;+IPR=9600&W

8.4.2 Câble RS-232C entre le modem et AL2-GSM-CAB

Figure 8.5: Affectation du câble RS-232C entre le modem et AL2-GSM-CAB



FRE

8.4.3 Réglages du modem

1) Réglage sur l'ordinateur

Installez le pilote du modem.

2) Réglages du modem sur le contrôleur $\alpha 2$

Le modem sur le contrôleur $\alpha 2$ est activé par l'instruction d'initialisation du modem de l'unité principale

a) À propos de l'instruction du modem (instruction AT)

Utiliser l'instruction AT pour initialiser le modem. Les spécifications de l'instruction AT sont disponibles dans le manuel du modem utilisé. Les instructions AT pour le choix du modem sont indiquées dans les tableaux 8.4 (Modem normal) et 8.5 (modem GSM).

Tableau 8.3: Modems testés

Nom du fabricant	Nom du modèle	Instruction du modem (instruction AT)
3com	SP560V-P	ATE0Q1&B1&D0H0&I0&R1&S0S0=2S15=8&W
OMRON	ME3314	ATE0S0=2Q1&D0S15=8&R1&H0&W
AIWA	PV-AF3360	ATE0S0=2Q1&D0&M5\Q0\J0&W
Siemens	M20T	ATE0S0=2&S0;+IFC=0,0;+CMEE=1;+IPR=9600&W

Vous trouverez de plus amples informations sur la méthode d'activation du modem dans le manuel de programmation $\alpha 2$.

Si les modems utilisés ne sont pas indiqués dans le tableau ci-dessus, régler l'instruction AT afin de satisfaire aux exigences suivantes.

Tableau 8.4: Instruction AT pour modem (Modem normal)

Élément de réglage	Contenu du réglage	Exemples de réglage		
		SP560V-P	ME3314	PV-AF3360
Réglage de l'instruction écho	Aucun	E0	E0	E0
Fréquence d'appel de la réponse automatique	Double	S0=2	S0=2	S0=2
Code du résultat affiché	Aucun	Q1	Q1	Q1
Contrôle DTR	Toujours ON	&D0	&D0	&D0
Contrôle DSR	Toujours ON	&S0		
Mode de communication	Mode V.42bis	S15=8	S15=8	&M5
Vitesse de transmission fixée	Fixé	&B1	\J0	
Méthode de contrôle de flux du terminal	Aucun	-&R1	\Q0	
Contrôle de flux des données transmises	Aucun	&H0	&H0	-
Contrôle de flux des données reçues (logiciel)	Aucun	&I0		
Contrôle de flux des données reçues (contrôle RTS)	Aucun	&R1		
Écriture dans la mémoire nonvolatile	Écrire dans la mémoire nonvolatile.	&W	&W	&W

Tableau 8.5: Instruction AT pour modems

Élément de réglage	Contenu du réglage	Exemple de réglage
		M20T
Autorisation instruction écho	Mode écho OFF	E0
Réglage du nombre d'appels avant la réponse automatique	Autorisation de réponse automatique après deux coups	S0=2
Réglage du mode de fonctionnement (DSR)	DSR toujours ON	&S0
Réglage du contrôle de flux de données locales TE-TA	<ul style="list-style-type: none"> Spécifie la méthode utilisée par TE lorsque les données sont reçues depuis TA : Aucun Spécifie la méthode utilisée par TA lorsque les données sont reçues depuis TE : Aucun 	+IFC=0,0
Rapport d'erreur de l'équipement mobile	Autorisation de code de résultat et utilisation de valeur numérique	+CMEE=1
Réglage du débit local fixé	Vitesse de transmission : 9600 Bauds	+IPR=9600
Réglage du mode de fonctionnement du signal DCD *1	Ligne DCD est sur ON uniquement lors de la présence du signal support de données	&C1
Sélection du type de service *1	9600 Bauds (V.32), modem asynchrone, non transparent	+CBST=7,0,1
Enregistrement du paramètre actuel pour utiliser le profil défini	Le profil de l'utilisateur est enregistré dans la mémoire nonvolatile	&W

*1 Pour Siemens M20T, ces réglages ne sont pas nécessaires car ce sont des réglages par défaut. Lors de l'utilisation d'un autre modem, ces réglages peuvent être nécessaires.

b) Durée d'activation pour le modem lors du démarrage du système

Dans le contrôleur $\alpha 2$ existe une fonction pour retarder la transmission de l'instruction du modem (instruction AT) lors du démarrage pour initialiser le modem depuis l'unité principale. Le retard peut varier de 0 à 10 secondes. Cette commande peut être utile pour assurer que l'instruction AT sera transmise correctement lorsque le démarrage du contrôleur $\alpha 2$ est plus rapide que le démarrage du modem.

Vous trouverez de plus amples informations sur le fonctionnement du modem dans le manuel de programmation $\alpha 2$ et le manuel logiciel α .

FRE

MEMO

9. AL2-ASI-BD

Le module ASI (Actuator Sensor Interface), dénommé ci-après AL2-ASI-BD, est utilisé en liaison avec le contrôleur $\alpha 2$ pour la communication par l'intermédiaire d'un bus de terrain ASI. Vous trouverez de plus amples informations dans les manuels de programmation du contrôleur $\alpha 2$.



Attention

- Seules les personnes formées conformément aux standards locaux et nationaux sont habilitées à remplacer la AL2-ASI-BD.
- Coupez l'alimentation électrique avant d'installer ou de remplacer la AL2-ASI-BD.
- Remplacez le couvercle après avoir retiré le AL2-ASI-BD.
- MITSUBISHI ELECTRIC ne répondra ou ne sera rendu responsable en aucun cas, des dommages consécutifs à l'installation ou de l'utilisation de cet équipement.

9.1 Introduction

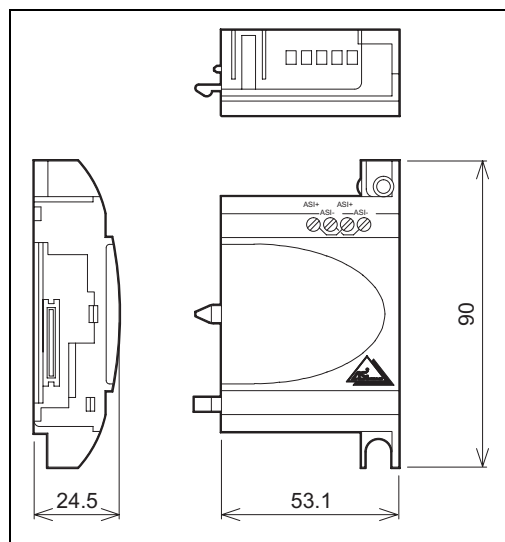
L'AL-ASI-BD est connecté au boîtier du contrôleur $\alpha 2$ de manière à former un esclave ASI (4 entrées, 4 sorties). On peut brancher au maximum 31 esclaves sur un réseau ASI. L'alimentation en puissance est fournie par le bus ASI. Le signal de communication est superposé à l'alimentation en puissance sur le bus ASI.

FRE

9.1.1 Dimensions

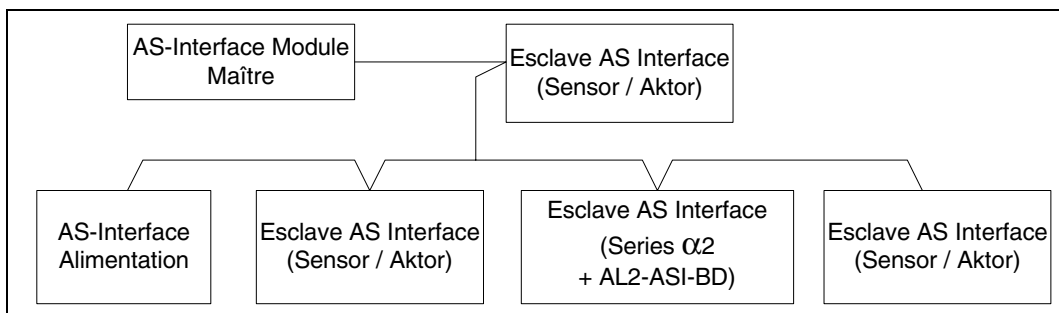
Figure 9.1: Dimensions

Unité: mm



9.1.2 Configuration du système

Figure 9.2: Configuration du système



9.2 Spécifications

Pour des spécifications générales, veuillez vous référer au chapitre 2.

Tableau 9.1: Spécifications du matériel de communication

Données	Contenu
Nombre d'E/S	4 entrées (input E01-E04), 4 sorties (output A01-A04)
Temps de rafraîchissement E/S	5ms au maximum
Distance sur le réseau	100 m au maximum
Tension	Typ. 30.5 V CC (alimentation en puissance par ASI)
Consommation	maximum 40 mA
Directive CE	EMC
Conforme aux normes suivantes	ASi

Tableau 9.2: Spécifications du logiciel de communication

Données	Contenu	
Adresse esclave	Attribuée par le maître (réglage par défaut en usine 0)	
Code d'E/S	7	
Code d'I/D	F	
Data Bit	D0 - D3	Entrée sortie 01 - 04 (E01 - E04, A01 - A04)
Bit de paramètre	P0	Le moniteur de communication (ajusté par défaut). *1
	P1,P2,P3	Inutilisé
Bit système	M6	"ON" si une erreur de communication de l'interface AS apparaît
	M7	"ON" si une erreur de communication due à une panne de secteur de l'interface AS apparaît
Bit de contrôle	N1	ON: Pas de connexion au réseau AS Interface OFF: Connexion au réseau AS Interface

*1 Fonction servant à remettre le signal d'entrée (E01-E04) à zéro lorsque la communication avec ASI est coupée pendant 70 ms ou plus.

9.3 Câblage et Installation

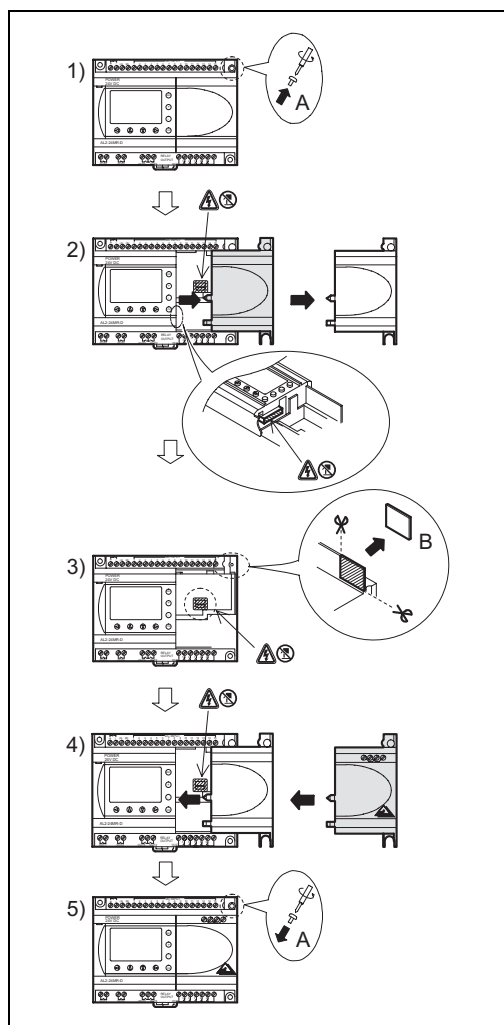
9.3.1 Installation



Attention!

Déconnectez toutes les bornes d'alimentation avec d'enlever le couvercle.

Figure 9.3: Installation



- 1) Dévissez la vis « A » et conservez-la.
- 2) Retirez avec précaution le couvercle du port d'extension.
- 3) Coupez la partie « B » de l'unité de base du contrôleur α .
- 4) Déplacez l'AL-ASI-BD sur l'unité de base.
- 5) Remettez la vis « A » en place et vissez-la en exerçant un couple de serrage compris entre 0,4

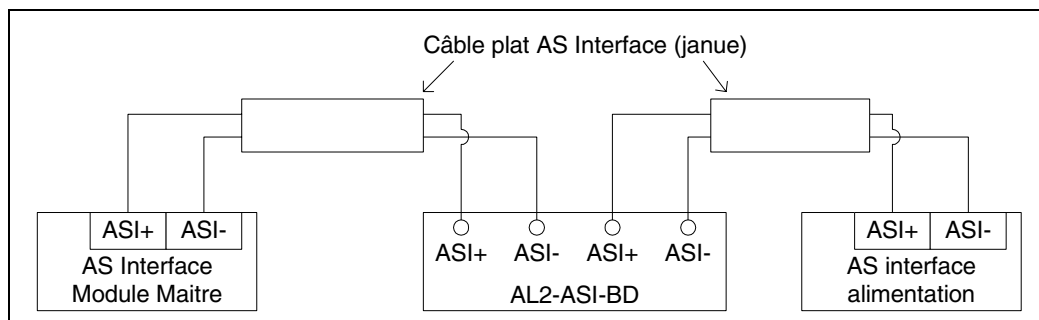
FRE

9.3.2 Câblage



Utiliser le câble plat (jaune) d'ASI pour connecter l'AL-ASI-BD au réseau. En connectant le câble de l'interface ASI au module, vissez les vis des broches du connecteur de communication en exerçant un couple de serrage compris entre 0,5 et 0,6 N·m.

Figure 9.4: Câblage



9.4 Réglage de l'adresse esclave et diagnostics

9.4.1 Réglage de l'adresse esclave

L'adresse esclave du AL2-ASI-BD peut être ajustée par le maître ASI ou par un programmeur. Si un nouvel esclave est ajouté au bus ASI, le module maître lui attribuera l'adresse libre la plus basse.

Les adresses esclaves forment une plage de 1 à 31 et peuvent être attribuées seulement à un module dont l'adresse initiale est 0 (zéro). Les nouveaux modules sont préajustés sur 0 avant l'expédition. Si un module a reçu au préalable une adresse autre que 0, il doit être remis à zéro avant de pouvoir être inséré au réseau.

Il est possible d'ajouter de nombreux modules en une seule fois. Ils doivent tous être définis en tant que modules passifs (paramètre N1=1) sauf un. Lorsque le réseau est sous tension, les modules peuvent être activés individuellement (modifier N1=0), l'administrateur réseau Network Master leur affectant alors un numéro de poste.

9.4.2 Contrôles à effectuer en cas d'erreur :

- 1) Si l'erreur M6 apparaît (communication erronée) :
 - Vérifiez les connexions vers l'interface AS maître.
 - Vérifiez si l'adresse du poste esclave est correcte.
- 2) Si une erreur d'alimentation sur la communication (M7) se produit :
 - Vérifiez la connexion du câble du bus de l'interface AS sur chaque unité concernée.
 - Vérifiez l'alimentation ASI et son fonctionnement.

10. Listes des touches, bits du système et blocs de fonctions

10.1 Listes des touches

Le tableau suivant indique les touches à utiliser et leur fonctionnement dans le menu et le programme utilisateur. Vous trouverez de plus amples informations dans le manuel de programmation $\alpha 2$.

Tableau 10.1: Listes des touches de fonction

Nom de la touche	No. des touches	Principales touches de fonction
OK	K01	Pour confirmer la saisie de données, les options des menus, les sélections de programmes
ESC	K02	Pour annuler l'opération en cours, pour changer d'écran ou de menu
+	K03	Pour connecter les blocs fonctions, pour se déplacer vers des blocs de manière croissante, pour incrémenter les valeurs
-	K04	Pour déconnecter les blocs fonctions, pour se déplacer vers des blocs de manière décroissante, pour décrémenter les valeurs
▲	K05	Pour se déplacer vers des articles de manière croissante (touches, blocs fonctions, entrées, sorties, etc.)
▼	K06	Pour se déplacer vers des articles de manière décroissante (touches, blocs fonctions, entrées, sorties, etc.)
▶	K07	Pour se déplacer vers la droite de l'écran à cristaux liquides, du programme FB ou de la commande Saut
◀	K08	Pour se déplacer vers la gauche de l'écran à cristaux liquides, du programme FB ou de la commande Saut

FRE

10.2 Listes des bits du système

Ce sont les bits du système contrôlés par le système et les bits de contrôle pour contrôler depuis le programme utilisateur.

10.2.1 Listes des bits du système

Tableau 10.2: Listes des bits du système

Bit du système	Description
M01	Toujours "ON"
M02	Toujours "OFF"
M03	Alterner - 0.5 secondes "ON", 0.5 secondes "OFF"
M04	"ON" si une erreur de donnée de l'horloge en temps réel apparaît
M05	"ON" si le passage automatique en heure d'été est activé
M06	"ON" si une erreur de communication de l'interface AS apparaît
M07	"ON" si une erreur de communication due à une panne de secteur de l'interface AS apparaît
M08	"ON" lors du changement du mode Stop au mode Run dans le contrôleur $\alpha 2$. Le signal ON fonctionne comme une sortie d'impulsion et commute alors sur OFF.
M09	"OFF" lors du changement du mode Stop au mode Run dans le contrôleur $\alpha 2$. Le signal OFF fonctionne comme une sortie d'impulsion et commute alors sur ON.
M10	Réservé
M11	Réservé
M12	"ON" si le signal CD (DCD) est mis sur ON (réception du signal CD depuis le modem)
M13	"ON" s'il est possible d'accéder au réseau GSM
M14	"ON" si le contrôleur $\alpha 2$ est connecté avec GSM.

10.2.2 Listes des bits de contrôle

Tableau 10.3: Bits de contrôle

Bit de contrôle	Description
N01	ON: Pas de connexion au réseau AS Interface OFF: Connexion au réseau AS Interface
N02*1	ON: L'éclairage de fond de l'écran est sur "OFF". OFF: L'éclairage de fond est contrôlé par le réglage "Durée éclairage" du menu.
N03*1	ON: L'éclairage de fond de l'écran est sur "ON". OFF: L'éclairage de fond est contrôlé par le réglage "Durée éclairage" du menu.
N04	ON: L'affichage est contrôlé par le "Gestionnaire affichage" de AL-PCS/WIN-E. OFF: L'affichage est contrôlé par le programme utilisateur.

*1 Si N02 et N03 sont sur ON, l'éclairage de fond est sur "ON" car N03 est prioritaire.

10.3 Listes des blocs fonctions

Vous trouverez de plus amples informations dans le manuel de programmation du contrôleur $\alpha 2$.

Tableau 10.4: Listes des blocs fonctions

Bloc fonction		Besoins en mémoire (octet)	Description
Nom	Symbole		
ET	AND	19	Sortie ON si toutes les entrées sont ON, entrées non utilisées sont considérées ON
OU	OR	19	Sortie ON si au moins une entrée est ON, entrées non utilisées sont considérées OFF
NON NOT	NOT	10	Inverse un signal; Change un OFF en un ON et vice-versa
OU Exclusif	XOR	13	OU Exclusif; Sortie ON si seulement l'une des deux entrées est ON
NON-ET	NAND	19	Non ET; Sortie OFF seulement si toutes les entrées sont ON, entrées non utilisées sont considérées ON
NON-OU	NOR	19	Non OU; Sortie OFF si au moins une entrée est ON, entrées non utilisées considérées OFF
Opérande booléen	BL	*1	Équation logique utilisant ET, OU, OU-Exclusif, NON
Set/Reset (mise à un/mise à zéro)	SR	14	Enclenche un relais en position SET ou RESET, indique la priorité Set ou Reset
Impulsions	PL	10	Envoie une impulsion sur un flanc montant, descendant ou les deux flancs
Alterner	AL	13	Sortie alterne la mise ON ou OFF avec chaque impulsion d'entrée
Retard	DL	19	Retarde un signal sur un flanc montant, descendant ou sur les deux flancs
Impulsion unique	OS	17	Envoie une impulsion unique; Basé sur le temps ou le signal d'entrée, broche reset disponible
Scintillation	FL	19	Envoie un train d'impulsions; durée ON/ OFF, répétitions, opération intermittente ou continue
Interrupteur horaire	TS	*2	Utilise le RTC pour mettre la sortie ON/OFF; gestion calendaire ou hebdomadaire
Maintenance Interrupteur horaire	TSm	*2	Utilise le RTC pour mettre la sortie ON/OFF; gestion calendaire ou hebdomadaire. Le planning peut être modifié à l'aide de "Param TS" dans le menu principal.
Compteur	CN	16	Compte en montant les impulsions, peut mettre un signal à zéro
Compteur montant/descendant	UD	22	Compte en montant ou descendant, définit une valeur pré-réglée pour commuter la sortie sur ON
Comparaison	CP	17	Compare deux valeurs avec <, >, =, <=, >=, <> (valeurs analogiques, fixées directement ou FB)
Gain offset	OG	22	Manipule des valeurs analogiques $y = A/B * x + C$; Définit les valeurs limites hautes et basses
Affichage	DP	*3	Affiche les données utilisateur (message ou données) sur l'affichage à cristaux liquides

FRE

Tableau 10.4: Listes des blocs fonctions

Bloc fonction		Besoins en mémoire (octet)	Description
Nom	Symbole		
Comparaison plage	ZC	20	Compare une valeur avec une plage de valeurs (Valeurs analogiques, fixées directement ou FB)
Trigger de Schmitt	ST	19	Met une entrée sur ON à la valeur haute et sur OFF à la valeur basse (ou vice-versa)
Compteur horaire	HM	19	Enregistre le temps accumulé où un signal était sur ON
Détection vitesse	SPD	25	La fréquence du signal d'entrée (On/Off) est mesurée pour une durée fixée. La fréquence est comparée à une plage de valeur et la sortie est mise ON/OFF selon le résultat.
Modulation d'impulsions en largeur	PWM	16	Un train d'impulsions continu est sorti lorsque ce bloc fonction est activé. Les caractéristiques de l'impulsion sont définies comme; grandeurs de l'impulsion (valeurs fixées directement, analogiques, FB), temps de cycle.
Alternance permanente	RAL	13	Sortie alterne entre ON et OFF avec chaque impulsion d'entrée. Le dernier état de la sortie est conservé lorsque l'alimentation déconnectée et est à nouveau présent lors de la remise sous tension. Toutefois, le dernier état de la sortie est perdu lorsque le contrôleur $\alpha 2$ est placé en mode Stop.
Addition	ADD	20	$y = A + B$
Soustraction	SUB	20	$y = A - B$
Multiplication	MUL	20	$y = A \times B$
Division	DIV	20	$A \div B = q, r$ (quotient et reste)
Calcul	CAL	*4	Équation utilisant +, -, ×, ÷, % et les données sélectionnées.
Décalage	SFT	19	Opération de décalage; Lorsque le signal "SFT" est entré, le dernier état du signal "I" est sorti. Lors de l'utilisation de l'opération de décalage 8 bits, le bloc fonction "Décalage" doit être poursuivi 8 fois.
GSM SMS	SMS	*5	Le contenu de l'écran à cristaux liquides est envoyé comme message SMS.
Impulsion aléatoire	ROS	19	Une impulsion unique de longueur aléatoire est envoyée.
Impulsion retardée	DOS	20	Après un retard, une impulsion unique est envoyée.
Alternance retardée	DAL	16	Après un retard, la sortie alterne la mise ON ou OFF avec chaque impulsion d'entrée
Set/Reset (mise à un/ mise à zéro) permanente	RSR	14	Enclenche un relais en position SET ou RESET, indique la priorité Set ou Reset. Le dernier état de la sortie est conservé lorsque l'alimentation déconnectée et est à nouveau présent lors de la remise sous tension. Toutefois, le dernier état de la sortie est perdu lorsque le contrôleur $\alpha 2$ est placé en mode Stop.

Tableau 10.4: Listes des blocs fonctions

Bloc fonction		Besoins en mémoire (octet)	Description
Nom	Symbole		
Moniteur de contrôle	CDP	*6	Contrôle quel affichage apparaît sur l'écran. Ce bloc fonction peut être choisi seulement dans le logiciel AL-PCS/WIN-E. Si le bit de contrôle N04 est ON, il est possible de contrôler l'écran affiché.
Connecter	_B	10	Ce bloc fonction CONNECTER est un FB interne utilisé pour montrer la mémoire utilisée par les bits systèmes, les bits pour l'interface AS, et les touches de fonction. Aucun bloc fonction n'apparaît sur l'écran ou est affiché comme étant utilisé dans la boîte de dialogue "Configuration utilisation mémoire", le but est seulement de calculer la mémoire qui a été utilisée par les bits indiqués ci-dessus.
Sorties système	Out	10	Contrôle opérandes externes via relais et transistors.

*1 Nombre d'octets utilisés = $19 + 1 \times$ (caractères dans l'équation)

*2 Nombre d'octets utilisés = $8 + 4 \times$ (nombre d'interrupteurs horaires)

*3 Nombre d'octets utilisés est déterminé par les caractères affichés.

Tableau 10.5: Élément affiché et nombre d'octets utilisés

Élément affiché		Nombre d'octets, contrôleurs $\alpha 2$
Caractères		$16 + 1 \times$ (par caractère affiché)
Valeur analogique, FB	Valeur	17
	Graphique	23
Heure, Date		14
Interrupteur horaire		17

*4 Nombre d'octets utilisés = $30 + 1 \times$ (caractères dans l'équation)

*5 Nombre d'octets utilisés = $12 + 1 \times$ (caractères dans l'adresse d'e-mail)

*6 Nombre d'octets utilisés = $32 + 3 \times$ (nombre d'écrans)

FRE

MEMO

11. Diagnostics



Attention

- Ne pas toucher aux connexions tant que l'appareil est sous tension. Cela pourrait provoquer une défaillance de l'équipement ou une décharge électrique.



Attention

- Puissance nominale correcte de l'alimentation.
Si une alimentation avec des valeurs différentes de celles indiquées est utilisée, l'appareil peut être endommagé ou provoquer un incendie.
- Connectez "L (Live)" de l'alimentation à "borne L" de l'unité principale, et connectez "N (neutre)" à "borne N" de l'unité principale correctement lors du câblage de l'alimentation CA.
Un câblage incorrect peut provoquer une décharge électrique, un endommagement du contrôleur ou un incendie.
- Connectez le câble "L (Live)" de l'alimentation avec la borne de l'entrée de l'unité CA.
- Connectez le "+" de l'alimentation à la borne "+" de l'unité principale, et connectez le "-" de l'alimentation à la borne "-" lors du câblage de l'unité CC.
Un câblage incorrect peut provoquer une décharge électrique, un endommagement du contrôleur ou un incendie.

FRE



Remarques sur l'utilisation

- Le contrôleur $\alpha 2$ ne doit être utilisé qu'avec une cassette mémoire implantée, le câble de communication monté ou le couvercle du port monté. Une connexion restée libre peut provoquer des endommagements du contrôleur $\alpha 2$ ou une décharge électrique.
- Utiliser la carte d'extension ou le couvercle du port tant que l'alimentation est amenée au contrôleur $\alpha 2$.
Une installation impropre de l'équipement peut provoquer un endommagement du contrôleur ou une décharge électrique.

11.1 Erreur de l'état de l'entrée

Mettez le contrôleur $\alpha 2$ dans le mode Stop. Mettez en marche l'alimentation de l'équipement connecté aux bornes d'entrée et vérifiez si l'état de l'entrée est affiché correctement. Si ce n'est pas affiché correctement, vérifiez les points suivants.

Vous trouverez de plus amples informations sur l'affichage d'état dans le manuel de programmation $\alpha 2$.



Remarques sur l'utilisation

Ne connectez pas un câble avec une terminaison brasée sur les bornes de raccordement du contrôleur $\alpha 2$.

Cela provoque un mauvais contact et le câble peut se détacher.

- 1) Vérifiez le câblage de l'alimentation et des entrées.
- 2) Vérifiez si l'équipement utilisé pour les entrées correspond aux spécifications indiquées dans le paragraphe 2.3 de ce manuel.

11.2 Erreur de l'état de la sortie

Mettez le contrôleur $\alpha 2$ dans le mode Stop. Déconnectez les sorties ON/OFF vérifiez leur fonctionnement. Vérifiez que le programme soit écrit pour réaliser les résultats désirés.

Vous trouverez de plus amples informations sur le fonctionnement ON/OFF dans le manuel de programmation $\alpha 2$.



Remarques sur l'utilisation

Réalisez toutes les opérations ON/OFF forcées seulement après avoir vérifié que vous pouvez le faire en toute sécurité. Un endommagement de la machine ou du contrôleur ou un problème de sécurité peut survenir si le ON/OFF forcé est réalisé improprement.

Si des précautions appropriées n'ont pas été prises, un endommagement de l'équipement ou de la machine peut se produire.

- 1) Vérifiez le câblage de l'alimentation et des sorties.
- 2) Vérifiez si l'équipement utilisé pour les sorties correspond aux spécifications indiquées dans le paragraphe 4.4 de ce manuel.

11.3 Menu principal n'est pas affiché

La touche menu doit être actionnée pour accéder au menu principal. Appuyez sur les touches "OK" et "ESC" en même temps. Si vous ne pouvez pas accéder au menu principal, utilisez soit le logiciel de programmation ou l'arrêt forcé pour passer en mode Stop.

Il n'est pas possible d'accéder au menu principal avec le clavier. Toutefois, si lors de la mise en marche de l'alimentation vous appuyez simultanément sur les touches "OK + ESC", le menu principal apparaît.



Attention

Réalisez l'opération d'arrêt forcé seulement après avoir vérifié que cela peut être réalisé en toute sécurité. Un endommagement de la machine ou du contrôleur ou un problème de sécurité peut survenir si le ON/OFF forcé est réalisé improprement.

Si des précautions appropriées n'ont pas été prises, un endommagement de l'équipement ou de la machine peut se produire.

Opération d'arrêt forcé

- 1) Mettez le contrôleur $\alpha 2$ hors tension.
- 2) Réenclenchez la tension tout en appuyant simultanément sur les touches "OK" et "ESC".
L'écran indiqué à droite est affiché.

L'option pour mettre le contrôleur en mode Stop sera disponible pour environ cinq secondes. Appuyer sur la touche "OK" pour accéder au mode Stop. Si aucune touche n'est enfoncée, le contrôleur retournera par défaut dans le mode Run.

- 3) Appuyez sur la touche "ESC".
Le menu principal indiqué à droite est affiché.

```
Run
  → Stop
```

```
Menu Princ .
»Run
Param TS
Edit prog
```

FRE

11.4 Passage dans le mode Run impossible

Si le contrôleur $\alpha 2$ ne commute pas dans le mode Run, vérifiez ce qui suit.

- 1) Le message "ErreurEntrée" ou "ErreurSortie" est affiché sur l'écran.
Le programme compris dans la cassette mémoire possède plus d'entrées et/ou sorties qu'autorisées par le contrôleur.
 - a) Lors de la réalisation du programme avec le logiciel de programmation.
Le contenu du programme et le modèle sont vérifiés avec le logiciel de programmation.
Écrivez le programme dans le contrôleur $\alpha 2$ et n'utilisez aucune cassette mémoire.
 - b) Lors de la réalisation du programme avec les touches du panneau avant du contrôleur.
Retirez la cassette mémoire, et réalisez à nouveau le programme.
 - c) Installez la cassette mémoire dans le contrôleur $\alpha 2$ avec 24 entrées/sorties.
 - d) Écrivez le programme avec un contrôleur $\alpha 2$ du même type dans laquelle le programme sera utilisé.
- 2) Les données du programme sont erronées.
Si le programme ne peut pas être affiché avec le sous-menu "Editer" du menu principal, il est possible que les données du programme sont endommagées. Commutez du menu principal dans le mode Run après avoir effacé le programme.
 - a) Réécrivez le programme et commutez en mode Run.
 - b) Consultez un distributeur Mitsubishi s'il n'est toujours pas possible de commuter en mode Run.

11.5 Donnée d'horloge incorrecte

Vérifiez le point suivant.

- 1) La donnée temps est perdue.
Si environ 20 jours ou plus (25°C) se sont écoulés depuis la mise hors tension du contrôleur $\alpha 2$, la donnée temps est perdue. Dans ce cas, la donnée temps doit être à nouveau saisie. Vous trouverez de plus amples informations sur le réglage de la donnée temps dans le manuel de programmation $\alpha 2$.
- 2) Des divergences de la donnée temps sont constatées.
La précision de la donnée temps est de ± 5 secondes par jour. Utilisez la fonction de correction du temps lorsque l'erreur de la donnée temps augmente. Vous trouverez de plus amples informations sur la fonction de correction de la donnée temps dans le manuel de programmation $\alpha 2$.

11.6 Le "?" apparaît sur l'écran

Le signe "?" est affiché lorsqu'une touche irrecevable par rapport à l'affichage est enfoncée. Réalisez le choix recevable et appuyez sur la touche appropriée.



11.7 Les touches de fonction ne peuvent pas être utilisées

Lorsque le contrôleur $\alpha 2$ n'accepte pas une touche de fonction, vérifiez le fonctionnement des touches de fonction selon les procédures suivantes. Si les étapes représentées dans les instructions (1) - (5) ci-dessous peuvent être réalisées, les touches fonctionnent correctement. Veuillez vérifier si la(les) touche(s) sont utilisées dans le programme.

- 1) Mettez le contrôleur dans le mode Stop. Consultez un distributeur Mitsubishi s'il n'est pas possible d'entrer dans le mode Stop.



Attention

Réaliser l'opération d'arrêt forcé seulement après avoir vérifié que cela peut être réalisé en toute sécurité. Un endommagement de la machine ou du contrôleur ou un problème de sécurité peut survenir si le ON/OFF forcé est réalisé improprement.

Si des précautions appropriées n'ont pas été prises, un endommagement de l'équipement ou de la machine peut se produire.

Opération d'arrêt forcé

- a) Mettez le contrôleur $\alpha 2$ hors tension.
- b) Réenclenchez la tension tout en appuyant simultanément sur les touches "OK" et "ESC" en même temps.

L'écran indiqué à droite est affiché pendant 5 secondes.

L'option pour mettre le contrôleur en mode Stop sera disponible pour environ cinq secondes. Appuyer sur la touche "OK" pour accéder au mode Stop. Si aucune touche n'est enfoncée, le contrôleur retournera par défaut dans le mode Run.

```
Run
->Stop
```

- c) Appuyer sur la touche "ESC".
Le menu principal indiqué à droite est affiché.

```
Menu Princ.
>>Run
Param TS
Edit prog
```

- 2) Faites défiler le menu principal avec la touche "▲" ou la touche "▼".
Consultez un distributeur Mitsubishi si vous ne pouvez pas réaliser un défilement à l'écran.

- 3) Déplacez le curseur sur "Régl.Horl" avec la touche "▲" ou la touche "▼", et appuyer deux fois sur la touche "OK".

L'écran "Réglage horloge" indiqué à droite est affiché.

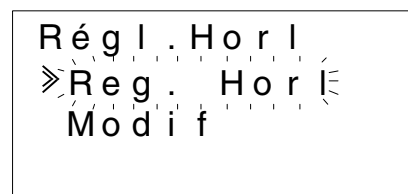
Consultez un distributeur Mitsubishi s'il n'est pas affiché.

```
Régl. Horl
mm / dd / yyyy
09 / 06 / 2001
13 : 55 Jeu
```

- 4) Essayez de modifier le mois/l'année en utilisant les touches "◀", "▶", "+" et "-".
Consultez un distributeur Mitsubishi si l'édition n'est pas possible.

FRE

- 5) Appuyer sur la touche "ESC".
L'écran indiqué à droite est affiché et l'opération de (4) est invalidée.
Consulter un distributeur Mitsubishi si le bon écran n'est pas affiché.



11.8 Affichage à cristaux liquides incorrect

Vérifiez les points suivants.

- 1) Le caractère est affiché inversé et l'écran complet est noir.
Consultez un distributeur Mitsubishi si l'erreur du dessus apparaît. L'affichage du contrôleur α 2 a été endommagé.
- 2) L'affichage apparaît erroné.
Si l'affichage n'apparaît pas comme attendu, veuillez vérifier les points suivants dans le programme.
 - a) Vérifiez les positions où chaque fonction d'affichage débute. Deux affichages séparés peuvent avoir une zone d'affichage de chevauchement provoquant le résultat indésiré.
 - b) Les caractères ne sont pas affichés
 - Vérifiez si l'entrée du bloc fonction d'affichage est sur On.
 - Vérifiez s'il y a un conflit avec un autre affichage.

11.9 Cassette mémoire ne fonctionne pas correctement

Vérifiez les points suivants si la cassette mémoire n'est pas reconnue ou si les fonctions de transfert de cassette ne fonctionnent pas.



Remarques sur l'utilisation

- Utilisez la cassette mémoire, la câble de communication ou le couvercle du port tant que l'alimentation est amenée au contrôleur α 2.
Une installation impropre de l'équipement peut provoquer un endommagement du contrôleur ou une décharge électrique.
- 1) La cassette mémoire doit être installée correctement, se référer au chapitre 6.1 pour la procédure correcte d'installation.
 - 2) Le message "Erreur ProtectSW" est affiché.
La protection de donnée (ProtectSW) est mise.
Se référer au manuel de programmation α 2 pour la procédure de déverrouillage de ce réglage.

3) Le message "Erreur mot de passe" est affiché.

La protection par mot de passe est activée. Essayez à nouveau après avoir désactivé le mot de passe.

Se référer au manuel de programmation $\alpha 2$ pour la procédure de désactivation du mot de passe.

L'option "EffProg" peut effacer le mot de passe, ainsi que le programme et tous les réglages du menu principal. Le contrôleur retournera aux réglages par défaut réalisés en usine.

Se référer au manuel de programmation $\alpha 2$ pour la procédure d'utilisation de la fonction "EffProg".

FRE

11.10 La communication avec le module maître de l'interface AS est perturbée

Vérifiez les points suivants.



Remarques sur l'utilisation

- Utiliser la carte d'extension ou le couvercle du port tant que l'alimentation est amenée au contrôleur $\alpha 2$.
Une installation impropre de l'équipement peut provoquer un endommagement du contrôleur ou une décharge électrique.
- 1) Vérifiez si l'alimentation de l'interface AS est appropriée.
 - 2) Vérifiez si le bit de contrôle N1 est sur Off. Utilisez l'une des deux méthodes ci-dessous pour modifier son état si nécessaire.
 - a) Lorsque le bit de contrôle n'est pas utilisé dans le programme
Forcé l'état sur Off, se référer au manuel de programmation $\alpha 2$ pour la procédure de mise forcée sur On/Off
 - b) Lorsque le bit de contrôle est utilisé par le programme
Modifiez le programme ou manipuler les entrées de telle sorte que le bit de contrôle N1 soit sur 0.
 - 3) Vérifiez que l'adresse de l'esclave soit correcte.
Corrigez l'adresse de l'esclave avec le module maître de l'interface AS.
Se référer au manuel du chapitre 9.4.1 et du module maître de l'interface AS pour la méthode de réglage de l'adresse.
 - a) Un conflit d'adresse entre un autre esclave et l'AL2-ASI-BD est présent.
Corrigez l'adresse de telle sorte qu'il n'y ait pas de conflit.
 - b) L'adresse de l'esclave est 0.
Utilisez une adresse de l'esclave valide pour le module de l'interface AS.
 - 4) AL2-ASI-BD n'est pas défini sur le module maître comme un esclave actif .
Vérifiez le réglage du module maître.
Se référer au manuel du module maître de l'interface AS pour la méthode de confirmation.

11.11 La communication avec AL-PCS/WIN-E est perturbée

Vérifiez les points suivants.



Remarques sur l'utilisation

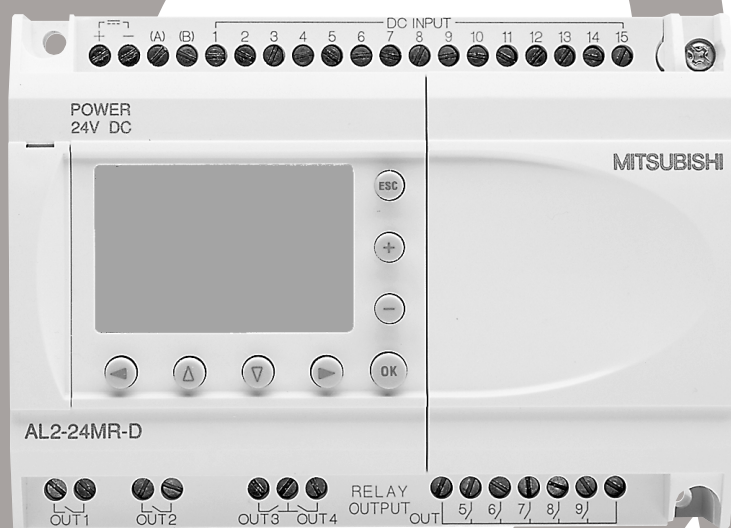
Utilisez la cassette mémoire, la câble de communication ou le couvercle du port lorsque l'installation est sans erreur.

Cela provoque une décharge électrique et l'arrêt de marche.

- 1) Vérifiez la connexion du câble (AL-232CAB).
Se référer au chapitre 7.2 pour la méthode de connexion.
- 2) Vérifiez l'alimentation amenée au contrôleur $\alpha 2$.
Vérifiez le câblage et les raccordements de l'alimentation.
Se référer au chapitre 2.2 pour les spécifications de l'alimentation.
- 3) Vérifier si le réglage de l'interface COM de l'ordinateur sur laquelle le câble (AL-232CAB) a été raccordé, concorde avec le réglage du "port de communication" dans le logiciel de programmation. Si ce n'est pas le cas, ajustez les.
- 4) Lors de l'utilisation d'un modem
 - a) Vérifiez si le modem est reconnu par le contrôleur $\alpha 2$.
Se référer au manuel de programmation $\alpha 2$ et au chapitre 7.3 pour le réglage du modem connecté du côté des contrôleurs $\alpha 2$.
 - b) Vérifiez le raccordement du câble.
Pour la connexion du câble, se référer au chapitre 7.3.2.
 - c) Vérifiez les réglages du modem dans les pages du logiciel de programmation.
Vérifiez si les routines d'installation et le réglage du modem ont été réalisés correctement.

FRE

MEMO



ITL

Sistema $\alpha 2$
MANUALE HARDWARE

Premessa

- Il presente manuale contiene testi, figure e spiegazioni per la corretta installazione e un corretto impiego del sistema $\alpha 2$ e dovrebbe essere letto e compreso prima di installare o impiegare l'apparecchio.
- Se durante l'installazione qualcosa non fosse chiaro, dovrete consultare in ogni caso uno specialista elettrico, qualificato e istruito sull'applicazione delle norme elettriche locali e nazionali. Contattate il concessionario più vicino della MITSUBISHI ELECTRIC se durante le operazioni o l'impiego del sistema $\alpha 2$ dovessero insorgere dei dubbi.
- Il presente manuale viene pubblicato con riserva di modifiche. Ci riserviamo il diritto di apportare modifiche al presente manuale senza alcun preavviso.

Sistema α 2

Manuale Hardware

ITL

Numero:	JY992D97301
Revisione:	B
Data:	06/2002

FAX BACK

La Mitsubishi ha una reputazione mondiale per quanto riguarda i suoi sforzi tesi ad uno sviluppo continuo e ridurre sempre più le frontiere dell'automazione industriale. Quello che talvolta non viene osservato dall'utente è la cura e l'attenzione per i dettagli, impiegata per la documentazione. Comunque, per portare avanti questo processo di sviluppo, i commenti degli utenti dei prodotti Mitsubishi sono sempre i benvenuti. Questa pagina è stata pensata per Lei, lettore, per essere compilata con i Suoi commenti e per rispedircela per telefax. Attendiamo con ansia Sue notizie.

Numeri di telefax:		il Suo nome.....
Mitsubishi Electric....	
America	(01) 847-478-2253	Sua ditta
Australia	(02) 638-7072
Germania	(0 21 02) 4 86-11 20	Sua sede:
Spagna	(0 34) 93 589-1579
Regno Unito (01707)	278-695	

Per favore, clicchi il quadratino di Sua scelta

In che condizioni è arrivato il manuale? a buone a danno minimo
 inutilizzabile

Userà una cartella per conservare il manuale? a sì a no

Cosa ne pensa della presentazione del manuale? a accurata a insoddisfacente

Sono comprensibili le spiegazioni? a sì a non troppo
 Udifficilmente a inutilizzabili

Quale spiegazione è stata la più difficile da capire:

Ci sono diagrammi non chiari? a sì a no

Se sì, quali:

Cosa pensa del layout del manuale? a buono Na non male
 a dinessun aiuto

Se c'è una cosa che desidererebbe vedere migliorata, che cosa è ?.....

Può trovare facilmente le informazioni desiderate usando l'indice e/o i paragrafi, se possibile specifichi la Sua esperienza:

Ha commenti in generale da fare sui manuali Mitsubishi ?

Grazie per essersi preso tempo per la compilazione di questo questionario. Speriamo che Lei abbia trovato sia il prodotto, sia il manuale facili da usare.



Direttive di sicurezza per l'utente e misure di sicurezza per il sistema α

Questo manuale fornisce informazioni per l'uso dei $\alpha 2$ Series Controllers.

Il manuale è destinato a personale addestrato e competente.

Per la qualifica del personale viene considerata la seguente definizione:

- a) Ogni tecnico responsabile della pianificazione, progettazione e costruzione di impianti di automazione che impiega il prodotto descritto nel presente manuale dovrebbe avere conoscenze adeguate in merito. L'addestramento e la qualifica-zione dovrebbe includere anche il settore delle normative locali e nazionali. Il tecnico dovrebbe possedere conoscenze complete sugli aspetti della sicurezza nel settore dell'automazione.
- b) Ogni tecnico addetto alla messa in funzione o all'assistenza deve dimostrare conoscenze nell'ambito delle normative locali e nazionali per garantire la sicura esecuzione delle fasi operative. Il tecnico dovrebbe essere istruito anche nell'impiego e nella manutenzione delle singole unità del prodotto. Ciò riguarda l'intera famiglia di prodotto con tutta la relativa documentazione. Tutti i lavori di manutenzione dovrebbero essere eseguiti in conformità alle direttive di sicurezza in vigore.
- c) Tutti gli operatori che usano il prodotto dovrebbero essere addestrati nell'impiego sicuro dell'apparecchio nel rispetto delle normative di sicurezza in vigore. L'operatore dovrebbe familiarizzarsi anche con la documentazione delle altre parti dell'impianto.

Osservazione: Con il termine "altre parti dell'impianto" si intendono tutte le altre apparecchiature dell'impianto di automazione inerenti al prodotto e alle relative informazioni contenute nel manuale.

Osservazioni sui simboli impiegati nel manuale

Nel presente manuale vengono impiegati diversi simboli per evidenziare determinate informazioni. I simboli dovrebbero illustrare al personale addetto gli avvisi relativi riguardanti la sicurezza e le misure di sicurezza. Ogni volta che si riscontra un simbolo si dovrebbe leggere attentamente la relativa nota e osservare attentamente le informazioni ivi contenute. Elenchiamo di seguito tutti i simboli con una breve descrizione del loro significato.

Avvertimenti hardware



1) Indica un pericolo imminente che causa danni alle persone o agli oggetti.



2) Indica un pericolo che potrebbe causare danni alle persone o agli oggetti.



3) Indica un punto contenente avvertimenti o ulteriori illustrazioni.

Avvertimenti software



4) Indica uno speciale avvertimento da osservare in ogni caso nella programmazione.



5) Indica un punto particolare di cui l'operatore dovrebbe tenere conto nell'impiego.



6) Indica un punto contenente ulteriori avvertimenti o spiegazioni supplementari.

- La MITSUBISHI ELECTRIC non si assume alcuna responsabilità per danni causati da un'installazione o un funzionamento inadeguato degli apparecchi o degli accessori.
- Tutti gli esempi e le figure riportati nel presente manuale intendono solo aiutare a comprenderne il contenuto. Non possiamo assumerci alcuna responsabilità per la correttezza delle operazioni illustrate. La MITSUBISHI ELECTRIC non si assume alcuna responsabilità per un impiego del prodotto facente riferimento agli esempi riportati.
- A causa del gran numero di applicazioni possibili con la presente attrezzatura l'adattamento al proprio caso applicativo specifico è a carico del cliente.

Ulteriori elenchi di manuali informativi

	Titolo del manuale	Manuale n°	Descrizione
<input checked="" type="radio"/>	$\alpha 2$ manuale dell'hardware (This manual)	JY992D97301	Questo manuale contiene spiegazioni dell'hardware e specifiche per serie di controller $\alpha 2$
<input checked="" type="radio"/>	$\alpha 2$ manuale di programmazione <English only>	JY992D97101	This manual contains instruction explanations for the $\alpha 2$ Series controllers.
<input type="radio"/>	α manuale di software <English only>	JY992D74001	Questo manuale contiene spiegazioni di funzionamento del software di programmazione AL-PCS/WIN-E
<input type="radio"/>	manuale dell'utente per comunicazioni di serie $\alpha 2$ <English only>	JY992D97701	Questo manuale contiene spiegazioni per il setup, la spedizione di messaggi, la diagnostica, l'assegnazione di bit, ecc., per le comunicazioni, con l'uso del controller di serie $\alpha 2$
<input type="checkbox"/>	Manuale di installazione serie $\alpha 2$	JY992D97502	Questo manuale contiene spiegazioni dell'hardware per l'installazione di controller $\alpha 2$ series
<input type="checkbox"/>	AL2-4EX, AL2-4EX-A2, AL2-4EYR, AL2-4EYT manuale di installazione	JY992D97402	Questo manuale contiene spiegazioni di hardware per l'installazione di moduli di estensione AL2-4EX, AL2-4EX-A2, AL2-4EYR e AL2-4EYT
<input type="checkbox"/>	AL2-EEPROM-2 manuale di hardware	JY992D96801	Questo manuale contiene spiegazioni di hardware per l'installazione di AL2-EEPROM-2
<input type="checkbox"/>	AL-232CAB manuale di hardware	JY992D76002	Questo manuale contiene spiegazioni di hardware per l'installazione di AL2-GSM-CAB
<input type="checkbox"/>	AL2-GSM-CAB	JY992D97202	This manual contents hardware explanations of installation for AL2-GSM-CAB.
<input type="checkbox"/>	AL-ASI-BD, AL2-ASI-BD manuale di hardware	JY992D81402	Questo manuale contiene spiegazioni di cablaggio, installazione e specifiche, ecc. per AL-ASI-BD e AL2-ASI-BD

Riferirsi a questi manuali.

Riferirsi a questo manuale, se necessario.

Riferirsi al contenuto di questi manuali se necessario, sebbene ciò sia compreso in $\alpha 2$ manuale dell'hardware.

Indice

Direttive di sicurezza	ITL-v
1. Introduzione	ITL-1
1.1 Le speciali caratteristiche del sistema $\alpha 2$ sono:.....	ITL-2
1.2 Modelli disponibili	ITL-3
1.3 Misure e nome delle singole parti	ITL-4
1.4 Configurazione del sistema	ITL-5
1.5 Software di programmazione utilizzabile	ITL-5
2. Specifiche	ITL-7
2.1 Alimentazione di potenza	ITL-7
2.2 Ingress	ITL-8
2.3 Uscite.....	ITL-10
2.4 Specifica generale	ITL-11
3. Installazione	ITL-13
3.1 Osservazioni sull'installazione	ITL-13
3.2 BARRA DIN Montaggio dell'unità principale	ITL-14
3.2.1 Installazione	ITL-14
3.2.2 Smontaggio	ITL-14
3.3 Montaggio diretto dell'unità principale	ITL-15
3.4 Installare il modulo di estensione	ITL-16
4. Allacciamento elettrico	ITL-17
4.1 Note sul cablaggio di installazione	ITL-17
4.2 Dimensione del filo	ITL-18
4.3 Tensione di alimentazione	ITL-19
4.4 AC Circuito di alimentazione di corrente ed input.....	ITL-20
4.4.1 AC Circuito di alimentazione di corrente ed input.....	ITL-20
4.4.2 AL2-4EX-A2 Circuito di input.....	ITL-20
4.5 Circuito di alimentazione di corrente DC ed input	ITL-21
4.5.1 Diagramma circuito di alimentazione di corrente DC e fonte ("+" comune) di input	ITL-21
4.5.2 AL2-4EX Diagramma di fonte ("+" comune) di input	ITL-21
4.5.3 Diagramma alimentazione corrente DC e abbassamento ("-" comune) di input.....	ITL-22
4.5.4 AL2-4EX Diagramma circuito diminuzione ("-" comune) input	ITL-22
4.6 Circuito di uscita transistore e relè	ITL-23
4.6.1 Diagramma circuito di output del relé , unità principale (AC e/o DC)	ITL-23
4.6.2 Diagramma circuito di output del relé , AL2-4EYR (AC e/o DC)	ITL-24
4.6.3 Diagramma circuito output del transistore (fonte/ "+" solo comune) AL2-4EYT	ITL-25
5. Assegnazione dei morsetti	ITL-27
6. AL2-EEPROM-2	ITL-29
6.1 Installazione.....	ITL-30

7. AL-232CAB	ITL-31
7.1 Introduzione	ITL-31
7.1.1 Misure d'ingombro	ITL-31
7.2 Collegare al cavo AL-232CAB	ITL-32
8. AL2-GSM-CAB	ITL-35
8.1 Introduzione	ITL-35
8.1.1 Misure d'ingombro	ITL-35
8.1.2 Configurazione del sistema con l'uso di AL2-GSM-CAB	ITL-36
8.2 Installazione	ITL-37
8.3 Manutenzione remota con un modem	ITL-39
8.3.1 Modem consigliati	ITL-39
8.3.2 Cavo dritto RS-232C fra modem e AL2-GSM-CAB	ITL-39
8.3.3 Regolazione del modem	ITL-40
9. AL2-ASI-BD	ITL-43
9.1 Introduzione	ITL-43
9.1.1 Dimensioni esterne	ITL-43
9.1.2 Configurazione del sistema	ITL-44
9.2 Specifiche Tecniche	ITL-44
9.3 Cablaggio e Installazione	ITL-45
9.3.1 Installazione	ITL-45
9.3.2 Allacciamento elettrico	ITL-46
9.4 Impostazione dell'indirizzo secondario e diagnosi	ITL-46
9.4.1 Impostazione dell'indirizzo secondario	ITL-46
9.4.2 Controlli di errore applicabili:	ITL-46
10. Elenchi dei tasti, dei bit del sistema e del blocco di funzione	ITL-47
10.1 Elenchi dei tasti	ITL-47
10.2 Elenco bit del sistema	ITL-48
10.2.1 Elenchi bit di sistema	ITL-48
10.2.2 Elenco bit di controllo	ITL-48
10.3 Elenchi blocchi di funzione	ITL-49
11. Diagnostica	ITL-53
11.1 Errore stato di input	ITL-54
11.2 Errore stato di output	ITL-54
11.3 TOP MENU non è visualizzato	ITL-55
11.4 Non si può attivare il modo "Run"	ITL-56
11.5 Dati orologio errati	ITL-56
11.6 Lo "?" appare sul display	ITL-56
11.7 Non si può usare un tasto operativo	ITL-57
11.8 Display LCD errato	ITL-58
11.9 La cassetta di memoria funziona male	ITL-58
11.10 Non si può comunicare con il modulo master dell'interfaccia AS	ITL-59
11.11 Non si può comunicare con AL-PCS/WIN-E	ITL-60

1. Introduzione

Il $\alpha 2$ series può essere usato facilmente in ogni posto in cui sia necessario un controllo per casa, ufficio o fabbrica. Il controller emette il ciclo ON/OFF per controllare l'impianto elettrico per il programma blocco di funzionamento.

La spiegazione delle istruzioni e dell'operazione dell'unità principale si trova nel manuale di programmazione $\alpha 2$.

Una spiegazione del software di programmazione AL-PCS/WIN-E lo si trova nel manuale del software $\alpha 2$ Series.

Applicazioni

Applicazioni Il $\alpha 2$ series è progettato per essere usato in applicazioni automatiche, incluse quelle elencate in basso.

- Automatizzazione di luci, aria condizionata, o sistemi di irrigazione
- Apertura e chiusura di cancelli
- Semplici sistemi di sicurezza
- Sistemi di distribuzione di cibo per animali domestici e cuccioli
- Controllo di recinti per bestiame e serre

In ogni caso, il $\alpha 2$ series non è previsto per essere usato nelle seguenti applicazioni. Per maggiori informazioni, mettersi in contatto con un rivenditore Mitsubishi.

- Applicazioni che richiedono elevata sicurezza, come controllo di energia nucleare, impianti ferroviari, aerei, veicoli, impianti di combustione e impianti medici.
- Applicazioni in situazioni critiche per la vita.

ITL

1.1 Le speciali caratteristiche del sistema $\alpha 2$ sono:

- 1) Visualizzazione in forma di messaggio su display e dati blocco di funzioni
 Il $\alpha 2$ series può visualizzare lo stato del funzionamento e l'allarme sul display LCD, in forma di messaggio. Esso può visualizzare i seguenti contenuti, se si usa il blocco di funzione. Il valore dei temporizzatori visualizzati può essere modificato nel modo RUN.
 - caratteri totali sul display LCD: 12 caratteri, 4 linee
 - Item del display: messaggio, valore (corrente o impostato) di temporizzatore e contatore, valori analogici, ecc.
- 2) La programmazione nel PC é rapida e facile
 Il software di programmazione AL-PCS/WIN-E per Windows può creare e memorizzare programmi.
 La programmazione può essere fatta usando un metodo figurato in cui si usano linee per collegare blocchi di funzione su uno schermo di programmazione.
 È possibile anche la programmazione diretta, usando i tasti $\alpha 2$ del pannello anteriore del controller.
- 3) Figura LCD spedita via modem GSM
 Se si usa la E-mail, il $\alpha 2$ series può spedire la figura LCD per modem GSM. L'utente può monitorare lo stato di applicazione, avendo accesso al messaggio diagnostico spedito come E-mail via modem GSM.
- 4) Supporto di link del computer con l'uso di protocollo destinato
 Il $\alpha 2$ series supporta link del computer (protocollo destinato). Software di applicazione specifico per l'utente con l'uso di link del computer (protocollo destinato) può cambiare i dati programmati, i parametri entro i blocchi di funzione a fornire un monitoraggio della condizione dell'applicazione.
- 5) Ottimizzare la funzione orologio
 La funzione di programmatore settimanale e di programmatore del calendario ha iù interruttori che possono essere impostati e che garantiscono efficaci capacità di controllo in funzione del tempo.
- 6) Input analogico, 0 - 10V/0 - 500:
 L'input DC per il $\alpha 2$ series può accettare segnali di 0 - 10V con una risoluzione di 0 - 500.
- 7) Contatore ad alta velocità, max. 1kHz
 Il $\alpha 2$ series dispone di contatori ad alta velocità (max. 2 punti), se si usa AL2-4EX (EI1, EI2).
- 8) Capacità di output di alta corrente

Tabella 1.1: Capacità di output di alta corrente

	Output	Tipo di capacità
RELÈ	AL2-14MR-*: O01 - 06 AL2-24MR-*: O01 - 04	8A / comune
	AL2-24MR-*: O05 - 09 AL2-4EYR: EO1 - EO4	2A / punto (4A / comune)
TRANSISTORE	AL2-4EYT: EO1 - EO4	1A / punto

9) Integrato -in EEPROM

L'integrato in EEPROM elimina la necessità di dati supportati da batteria.

10)Supporta 6 lingue:

Il $\alpha 2$ series supporta 6 lingue (inglese, tedesco, francese, italiano, spagnolo e svedese). La lingua che deve comparire sul display può essere scelta nel TOP MENU.

1.2 Modelli disponibili

Tabella 1.2: Unità di base

Modello	Tensione di alimentazione	Ingressi		Uscite		Dimensioni mm	MASSA (Peso) kg
		Tipo	Numero.	Tipo	Numero.		
AL2-14MR-A	100 - 240V CA~	100 - 240V CA~	8	RELÈ	6	124,6 x 90 x 52	0,30 ^{*1}
AL2-14MR-D	24V CC	24V CC Sink/Source	8	RELÈ	6		0,30 ^{*1}
AL2-24MR-A	100 - 240V CA~	100 - 240V CA~	15	RELÈ	9		0,35 ^{*1}
AL2-24MR-D	24V CC	24V CC Sink/Source	15	RELÈ	9		0,30 ^{*1}

*1 Senza moduli a funzione speciale

Tabella 1.3: Modulo di estensione

Modello	Ingressi		Uscite		MASSA (Peso) kg
	Tipo	Numero.	Tipo	Numero.	
AL2-4EX-A2	220 - 240V CA~	4	—		0,05
AL2-4EX	24V CC Sink/Source	4	—		
AL2-4EYR	—		RELÈ	4	
AL2-4EYT	—		TRANSISTORE	4	

ITL

1.3 Misure e nome delle singole parti

Illustrazione 1.1: Nome delle singole parti

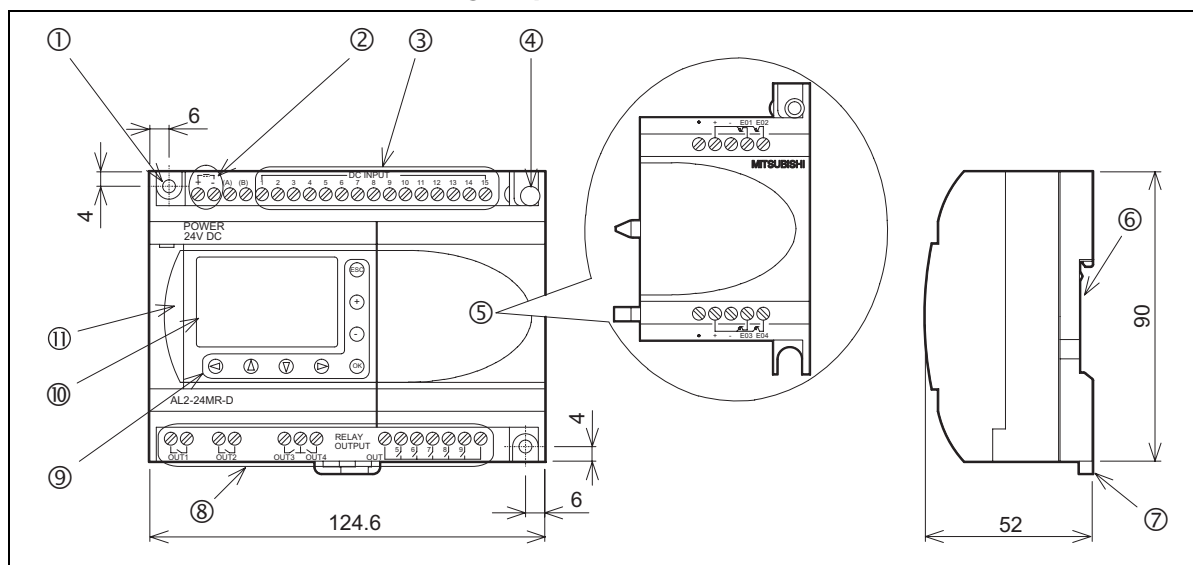


Tabella 1.4: Nome delle singole parti

No.	Descrizione
1	Foro di montaggio, diam. 4,2 mm
2	Morsetti di tensione
3	Morsetti di ingresso
4	Vite di montaggio per il coperchio dell'estensione o modulo di estensione
5	Coperchio di estensione o modulo di estensione
6	Scanalatura per montaggio barra DIN (larghezza di barra DIN 35mm <DIN EN 50022>)
7	Fermagli di montaggio DIN-RAIL
8	Morsetti di uscita
9	Tasti operativi
10	Display a cristalli liquidi
11	Rivestimento porta di programmazione

1.4 Configurazione del sistema

Illustrazione 1.2: Configurazione del sistema

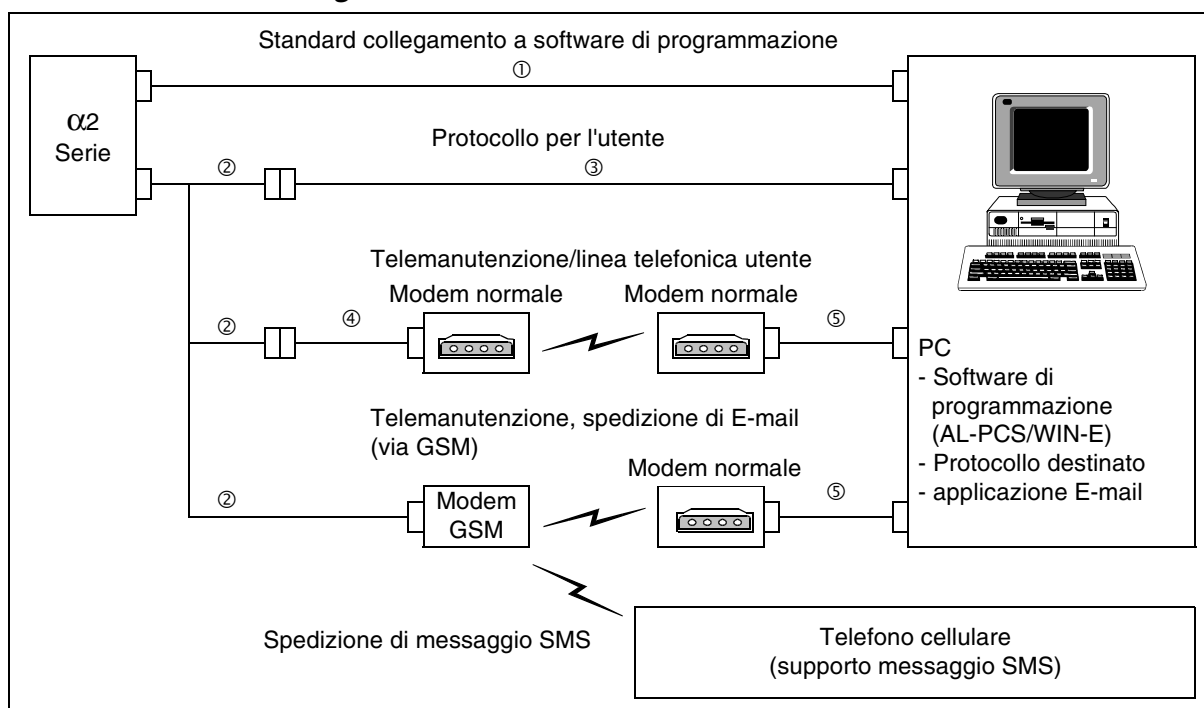


Tabella 1.5: Sconfigurazione del sistema

Item	Using Cable
1	AL-232CAB
2	AL2-GSM-CAB
3	cavo incrociato RS-232C * 1
4	cavo dritto RS-232C per il modem* 1
5	cavo dritto RS-232C per il modem (specificato dal costruttore del modem)

*1 Ulteriori informazioni si trovano al capitolo 8.

1.5 Software di programmazione utilizzabile

Il $\alpha 2$ series, è supportato dal software di programmazione (AL-PCS/WIN-E) V2.00 o successivi.

Versioni inferiori al V2.00, non comunicano con il $\alpha 2$ series.

MEMO

2. Specifiche

2.1 Alimentazione di potenza

Tabella 2.1: Dati dell'alimentazione di potenza

Descrizione	Code	Dati tecnici
Tensione di alimentazione	AL2-***-A	100 - 240V CA~, +10% -15%, 50/60 Hz
	AL2-***-D	24V CC, +20% -15%
Tempo max. cons. di caduta tensione	AL2-***-A	10ms
	AL2-***-D	5ms
Corrente massima di accensione	AL2-***-A, 240V CA~ (120V CA~)	$\leq 6,5$ A (3,5 A)
	AL2-***-D, 24V CC	$\leq 7,0$ A
Consumo massimo di corrente	AL2-14MR-A, 264V CA~	5,5 W
	AL2-14MR-D, 28.8V CC	7,5W
	AL2-24MR-A, 264V CA~	7,0 W
	AL2-24MR-D, 28.8V CC	9,0 W
Consumo tipico di corrente (senza moduli a funzione speciale)	AL2-14MR-A, 240V CA~	I/O all On - 4,5 W; I/O all Off - 2,0 W
	AL2-14MR-A, 120V CA~	I/O all On - 3,5 W; I/O all Off - 1,5 W
	AL2-14MR-D, 24V CC	I/O all On - 4,0 W; I/O all Off - 1,0 W
	AL2-24MR-A, 240V CA~	I/O all On - 5,5 W; I/O all Off - 2,5 W
	AL2-24MR-A, 120V CA~	I/O all On - 4,5 W; I/O all Off - 2,0 W
	AL2-24MR-D, 24V CC	I/O all On - 5,0 W; I/O all Off - 1,0 W

ITL

2.2 Ingress

Tabella 2.2: Dati tecnici degli ingressi CA

Descrizione	Dati tecnici		
	Unità di base		AL2-4EX-A2
	I01 - I08	I09 - I15	EI1 - EI4
Tensione di ingresso	100 - 240V CA~, +10% -15%, 50/60 Hz		220 - 240V CA~, +10% -15%, 50/60 Hz
Corrente di ingresso	0,13mA / 120V CA~*1 0,25mA / 240V CA~*1	0,15mA / 120V CA~*1 0,29mA / 240V CA~*1	7,5mA / 240V CA~ 50Hz 9,0mA / 240V CA~ 60Hz
Impedenza d'ingresso	$\geq 800 \text{ k}\Omega$		32k Ω (50Hz) 27k Ω (60Hz)
OFF \rightarrow ON/ ON \rightarrow OFF	$\geq 80V / \leq 40V$		$\geq 160V / \leq 40V$
Tempo di reazione	OFF \rightarrow ON	35-85ms / 120V CA~ 25-55ms / 240V CA~	15 - 40ms / 240V CA~
	ON \rightarrow OFF	35-85ms / 120V CA~ 50-130ms / 240V CA~	
Circuito di isolamento	None		Optoaccoppiatore
Indicazione di funzionamento	Display a cristalli liquidi		

*1 La perdita di corrente dai sensori collegati agli ingressi potrebbe fornire corrente sufficiente all'inserimento del controllore. Non utilizzate due sensori a filo.

Tabella 2.3: Dati tecnici degli ingressi CC

Descrizione		Sink ("-" Common)	Source ("+" Common)
Tensione di ingresso		24V CC +20% -15%	24V CC +20% -15%
Corrente di ingresso	Unità di base	I01 - I08	6,0mA, 24V CC
		I09 - I15	5,5mA, 24V CC
	AL2-4EX	EI1 - EI4	5,4mA, 24V CC
Segnale 0 - > Segnale 1 Segnale 1 - > Segnale 0	Unità di base	I01 - I15	Current: $\geq 4,7\text{mA} / \leq 1,1\text{mA}$ Voltage: $\leq 4V / \geq 18V$
	AL2-4EX	EI1 - EI4	Voltage: $\geq 18V / \leq 4V$
Tempo di reazione	Unità di base	10 - 20 ms	
	AL2-4EX *1	10 - 20 ms	
Circuito di isolamento	Unità di base	None	
	AL2-4EX	Photocoupler	
Indicazione di funzionamento		Liquid Crystal Display	

*1 EI1 ed EI2 per l'unità AL2-4EX possono essere utilizzate per le entrate del contatore ad alta velocità. Tuttavia, il tempo di risposta del contatore ad alta velocità è di 0,5 ms o inferiore a questo valore.

Tabella 2.4: Dati tecnici degli ingressi analogici (Solo AL2-*unità del tipo -D)**

Descrizione	Dati tecnici
Numero di ingresso analogico	8 (I01 - I08)
Gamma ingresso analogico	0 - 500
Risoluzione	9 bit, 20mV (10000/ 500mv)
Velocità di conversione	8ms
Tensione di ingresso	0 - 10V CC
Impedenza d'ingresso	142k Ω \pm 5%
Esattezza complessiva	\pm 5% (0.5V CC)
Sfasamento/Guadagno	Valore di sfasamento = 0 at 0V CC Valore di guadagno: 0 - 10V = 0 - 500 Questi valori standard possono essere modificati in Sfasamento FB
Deriva termica	\pm 3 LSB

2.3 Uscite

Tabella 2.5: Dati tecnici delle uscite a rele

Descrizione		Dati tecnici
Tensioni di accensione		250V CA~ o inferiore, 30V CC o inferiore
Carico resistive max.	AL2-14MR-* (O01 - O06)	8A / comune
	AL2-24MR-* (O01 - O04)	
	AL2-24MR-* (O05 - O09)	2A / punto (4A / comune)
	AL2-4EYR (EO1 - EO4)	2A / punto
Ciclo di vita contatto /Carico resistenza	AL2-14MR-* (O01 - O06)	100000 cicli a 8 A / 240V CA~ o 24V CC
	AL2-24MR-* (O01 - O04)	
	AL2-24MR-* (O05 - O09)	100000 cicli a 2A / 240V CA~ o 24V CC
	AL2-4EYR (EO1 - EO4)	
Carico min.		50mW (10mA a 5V CC)
Carico induttivo max.	AL2-14MR-* (O01 - O06)	249 VA (1/3 passa alto) / 125V CA~, 373 VA (1/2 passa alto) / 250V CA~
	AL2-24MR-* (O01 - O04)	
	AL2-24MR-* (O05 - O09)	93 VA (1/8 passa alto) / 125V CA~, 93 VA (1/8 passa alto) / 250V CA~
	AL2-4EYR (EO1 - EO4)	
Tempo di reazione		$\leq 10\text{ms}$
Indicazione di funzionamento		Display a cristalli liquidi
Circuito di isolamento tramite		Rele

Tabella 2.6: Specifiche output del transistore (solo tipo di fonte) di AL2-4EYT

Descrizione	Dati tecnici
Tensioni di accensione	5 - 24V CC (+20%, -5%)
Carico resistive max.	1A / morsetti (8 - 24V CC), 0,1A / morsetti (5 - 8V CC)
Carico min.	1,0mA
Carico induttivo max.	1A / 24V CC (24 W)
Tempo di reazione 1 -> 0 / 0 -> 1 (env.)	$\leq 1\text{ms}$
Corrente di dispersione	$\leq 0,1\text{mA}$ / 24V CC
Indicazione di funzionamento	Display a cristalli liquidi
Circuito di isolamento	Optoaccoppiatore

2.4 Specifica generale

Tabella 2.7: Specifiche per lo sviluppo e l'impianto elettrico

Descrizione	Dati tecnici
Metodo di programmazione	Blocco di funzione
Capacità programmi	200 Blocco di funzione or 5000 Bytes
Metodo di salvataggio programmi	EEPROM incorporata (non necessita di batteria di riserva) o cassetta EEPROM opzionale
Backup del dispositivo	20 giorni a 25°C / 77°F (tramite condensatore)
Backup OTR (Orologio a Tempo Reale)	20 giorni a 25°C / 77°F (tramite condensatore)
Precisione OTR (orologio tempo reale)	5 s / giorno (25°C / 77°F)
Temperatura di esercizio	Hardware del controller: (-25) - 55°C / (-13) - 101°F Display del controller: (-10) - 55°C / 14 - 101°F
Temperatura di conservazione	(-30) - 70 °C / (-22) - 158°F
Resistenza vibrazioni Montaggio diretto	conforme alla normativa IEC 68-2-6; 10-57 Hz: 0,15 mm ampiezza costante 57-150 Hz: 19,6 m/s ² accelerazione Conteggio sweep per X,Y,Z: 10 volte (80 min. in ogni direzione)
Resistenza vibrazioni Montaggio su supporto DIN	conforme alla normativa IEC 68-2-6; 10-57 Hz: 0,075 mm ampiezza costante 57-150 Hz: 9,8 m/s ² accelerazione Conteggio sweep per X,Y,Z: 10 volte (80 min. in ogni direzione)
Resistenza agli urti	conforme alla normativa IEC 68-2-27: 147m/s ² accelerazione, tempo di azione: 11 ms 3 volte in ogni direzione X, Y e Z
Immunità al rumore	1000Vpp, 1 microsecondi, 30 - 100 Hz, collaudato mediante simulatore di rumore
Umidità	Umidità relativa 35-85%, senza condensa
Rigidità dielettrica	3750V AC > 1 min. come da norma IEC60730-1 tra i seguenti punti: Morsetti di alimentazione/ingresso e morsetti di uscita relè Morsetto di uscita relè e morsetto di uscita relè Tutti i morsetti e l'unità di controllo DIN 43880 o equivalente
Resistenza di isolamento	7 Mohm a 500V DC come da norma IEC60730-1 tra i seguenti punti: Morsetti di alimentazione/ingresso e morsetti di uscita relè Morsetto di uscita relè e morsetto di uscita relè Tutti i morsetti e l'unità di controllo DIN 43880 o equivalente
Tipo di azione	IEC 60730-1, Sezione 6.4.3 - Tipo 1C(Uscita relè)
Tipo di azione	IEC 60730-1, Sezione 6.4.3 - Tipo 1Y(Uscita transistor)
Classe software	IEC 60730-1, Sezione H6.18 - Classe A
Obiettivo di controllo	IEC 60730-1, Section 2.2 - Controllo elettrico
Costruzione del controllo	IEC 60730-1, Sezione 6.15 - Controllo incorporato
Se il controllo è elettrico	IEC 60730-1, Sezione H2.5.7 - Controllo elettronico
Classe di protezione	II
Grado di inquinamento	2
Messa a terra	Non

ITL

Tabella 2.7: Specifiche per lo sviluppo e l'impianto elettrico

Descrizione	Dati tecnici
Isolamento elettrico	Isolamento rinforzato primario/secondario
Condizioni ambientali	Deve essere privo di gas corrosivi. Limitare al minimo la presenza di polvere.
Protezione	IP 20
Temperatura di pressione delle valvole di comando	75°C (167°F)
Direttiva CE	EMC, LVD
Certificazioni	UL/cUL
Dichiarazione di conformità	TÜV PRODUCT SERVICE
Conforme alle norme	UL 508 ^{*1} IEC 60730-1 ^{*1} EN61010-1 EN50081-1 ^{*1} EN50082-1 EN 61000-6-2
Display a cristalli liquidi	Visualizza 4 righe da 12 caratteri l'una. Modo Program Run On/Off, protezione con password, tabella immagini, e blocchi funzionali durante la programmazione.

*1 AL2-ASI-BD non rispetta questi standard.

3. Installazione

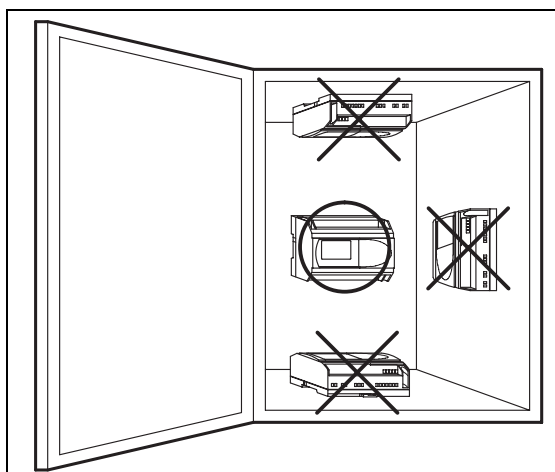
3.1 Osservazioni sull'installazione



Il $\alpha 2$ Series è un prodotto sicuro che può essere installato praticamente ovunque; ciò nonostante considerare quanto segue.

- Non installate in aree soggette a: polvere eccessiva o conduttiva, gas corrosivo o infiammabile, umidità o pioggia, calore eccessivo, urti regolari o vibrazione eccessiva. Non immergete in acqua ed evitate che possa penetrare acqua nel controllore.
- Non fate cadere detriti all'interno dell'unità durante l'installazione.
- Mantenetelo il più lontano possibile dai cavi e dall'attrezzatura ad alta tensione e dall'attrezzatura di potenza.
- L'a deve essere installato in cassette progettate per l'installazione di dispositivi conformi alla norma DIN 43880 o in un regolatore di tensione.

Illustrazione 3.1: Allestimento in montaggio



- Per il montaggio mediante i fori filettati, utilizzare viti formato M4.
- I connettori devono essere coperti per evitare il rischio di lesioni dovute al contatto con conduttori "sotto tensione".
- Lasciare almeno 10 mm di spazio per la ventilazione tra i bordi superiore e inferiore dell'a e le pareti circostanti.
- Non smontate il controllore della serie a. Per la sostituzione della cassetta di memoria, consultate il relativo manuale.



Nota

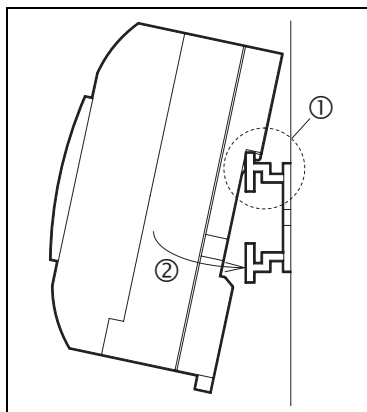
- Riferirsi al capitolo 6 se si installa o deinstalla il AL2-EEPROM-2.
- Riferirsi al capitolo 7 se si installa o deinstalla il AL-232CAB.
- Riferirsi al capitolo 8 se si installa o deinstalla il AL2-GSM-CAB.

3.2 BARRA DIN Montaggio dell'unità principale

Gli apparecchi possono essere montati a scatto su una barra DIN 35mm (DIN EN e0022). Per smontare l'apparecchio, tirare dalla barra il fissaggio rapido servendosi di un giravite ed estrarre l'apparecchio.

3.2.1 Installazione

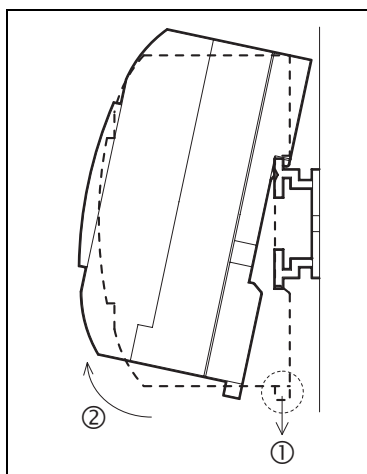
Illustrazione 3.2: Installazione



Allineare la parte superiore della scanalatura di montaggio della barra $\alpha 2$ DIN con la barra DIN (①) e infilarla nella barra (②).

3.2.2 Smontaggio

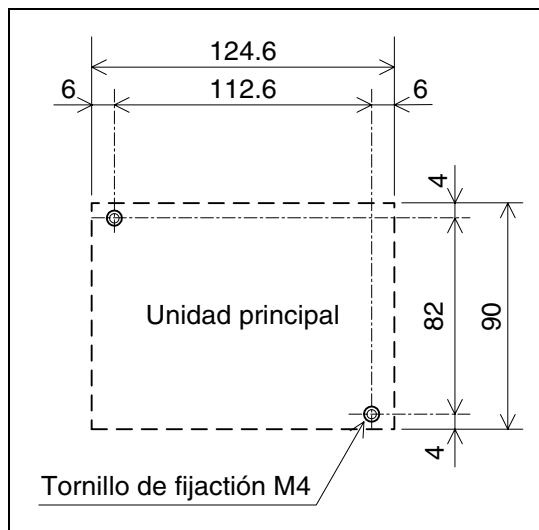
Illustrazione 3.3: Smontaggio



Estrarre il gancio della barra DIN (①) e smontare l'unità principale $\alpha 2$ series (②).

3.3 Montaggio diretto dell'unità principale

Illustrazione 3.4: Montaggio diretto



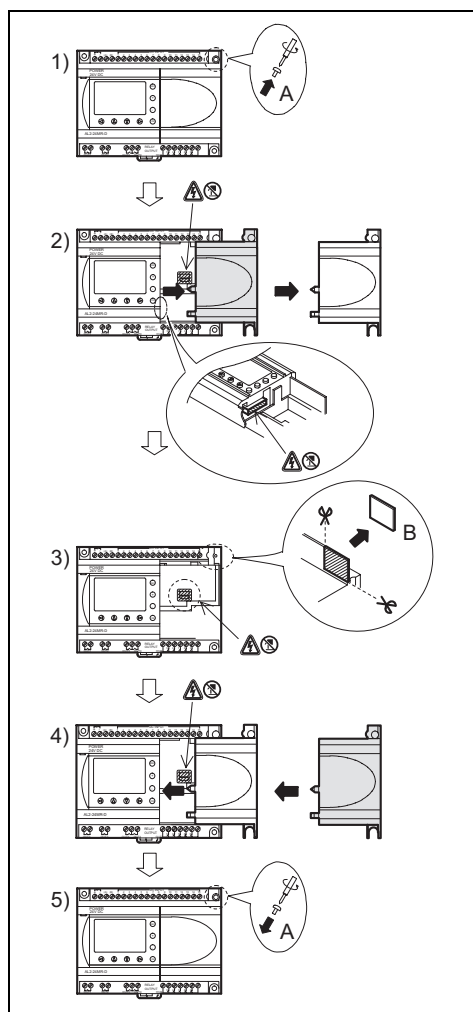
3.4 Installare il modulo di estensione



Attenzione

Prima di rimuovere il coperchio, disinserire tutti i terminali dall'alimentazione.

Illustrazione 3.5: Installazione



- 1) Rimuovere la vite 'A' e conservarla.
- 2) Rimuovere con cautela la mascherina della porta di espansione montata in fabbrica.
- 3) Tagliare la sezione 'B' dell'unità base del controllore della serie $\alpha 2$.
- 4) Rimettere il modulo di espansione sull'unità principale.
- 5) Applicare di nuovo la vite 'A' e serrarla con una coppia di 0,4 N·m.

4. Allacciamento elettrico

4.1 Note sul cablaggio di installazione



Il cablaggio di a Series è stato progettato in modo che sia sicuro e semplice. Tutti gli interventi relativi ai collegamenti elettrici dell'a devono essere eseguiti da un tecnico o un ingegnere esperto delle norme nazionali e locali riguardanti gli impianti elettrici. Prima di effettuare qualsiasi operazione di cablaggio è necessario disinserire l'alimentazione di corrente.

- I cavi di ingresso e di uscita non devono essere instradati nello stesso cavo multipolare o condividere lo stesso filo.
- Non disporre i cavi di ingresso/uscita vicino ai cavi di alimentazione dell'alta tensione.

Calcolate la caduta di tensione e le interferenze di disturbo nelle linee di entrata/uscita posate per lunghe distanze. Vi preghiamo di utilizzare cavi di misura idonea al carico di corrente.



Per il terminal si può usare un cacciavite a testa piatta da 3 mm.

4.2 Dimensione del filo

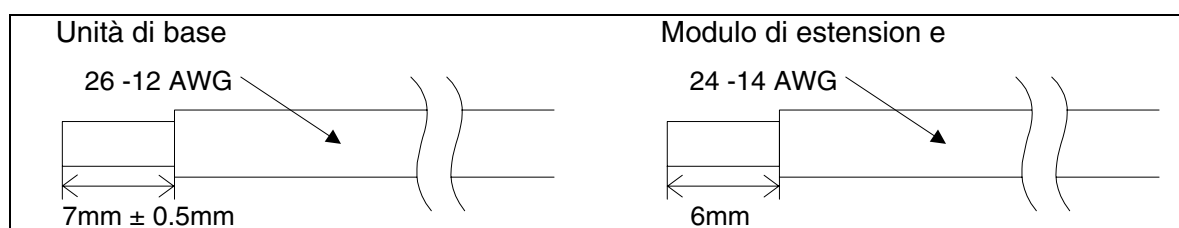
Per gli input e gli output usare il seguente filo. Spelare il filo per la lunghezza che segue. (Vedi tabella 4.1 e illustrazione 4.1). Svitare il morsetto sino alla sua posizione massima prima di inserire un filo. Inserire completamente il filo nel morsetto per assicurarsi di aver instaurato un collegamento corretto.

Per i morsetti è adatto un cacciavite a testa piatta da 3 mm..

Tabella 4.1: Dimensioni dei fili

	Dimensione fili	Lunghezza
Unità di base	26 - 12 AWG (0.13 - 3.31mm ²)	7mm \pm 0.5mm
Modulo di estensione	24 - 14AWG (0.2 - 2.5mm ²)	6mm \pm 0.5mm

Illustrazione 4.1: Dimensioni dei fili



Nota:

- Per evitare di danneggiare il filo, serrare con una coppia di 0,5~0,6 N·m.
- Per favore non usare stagno, lega per saldature o altri materiali sul cavo spelato, dato che ciò potrebbe causare la rottura della tratta di filo.
 - Cavo saldato:
togliere la guaina, torcere l'anima dei fili, poi collegare il cavo (o usare un capocorda a strozzamento).
 - Cavo singolo:
togliere la guaina, poi collegare il cavo.

4.3 Tensione di alimentazione



- Per l'allacciamento della tensione alternata (CA) si deve collegare il conduttore L al morsetto L e il conduttore N al morsetto N. NON collegare il filo "Live" al morsetto "N", poiché l'utente potrebbe subire una pericolosa scossa elettrica al momento dell'accensione.
- Per l'allacciamento della tensione continua (CC) si deve collegare il conduttore positivo al morsetto (+) e il conduttore negativo al morsetto (-). L'allacciamento della tensione di alimentazione non si deve eseguire in nessun caso in altri morsetti dell'apparecchio. Le unità di alimentazione di corrente continua devono essere in grado di fornire al controllore un'erogazione di 4 ampere di corrente.

Illustrazione 4.2: Circuito di alimentazione raccomandato

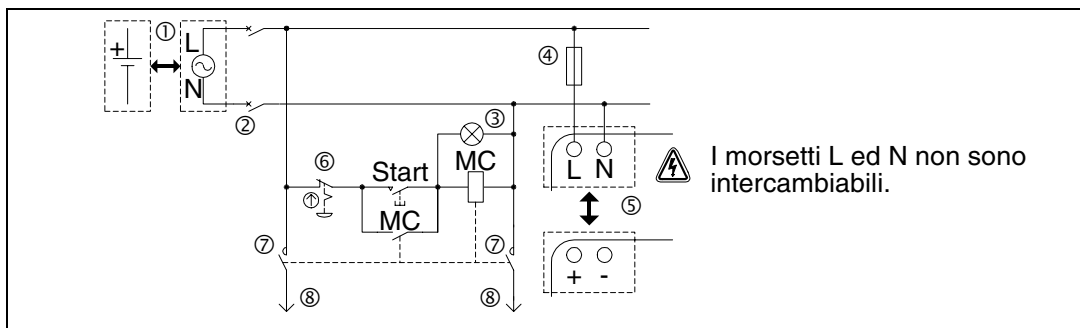


Tabella 4.2: Alimentazione

No.	Descrizione
1	Tensione di alimentazione AL2-***-A: 100-240V CA~, 50/60Hz AL2-***-D: 24V CC
2	Dispositivo di isolamento circuito
3	Indicatore pilota di accensione
4	Dispositivo di protezione circuito limitare a 1,0A
5	Sistema $\alpha 2$
6	Interruttore di emergenza
7	Contatto interruttore magnetico
8	Tensione di alimentazione per carico

ITL

4.4 AC Circuito di alimentazione di corrente ed input

4.4.1 AC Circuito di alimentazione di corrente ed input

Illustrazione 4.3: Diagramma del circuito di alimentazione di corrente e input

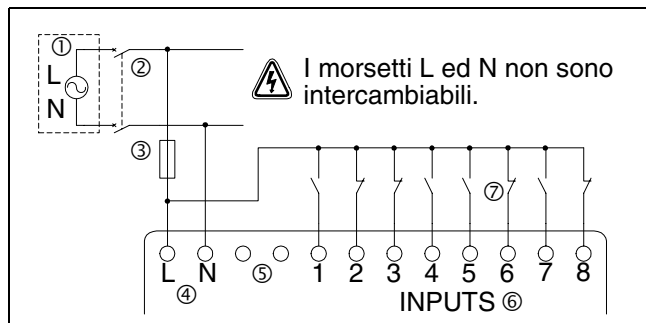


Tabella 4.3: Diagramma del circuito di alimentazione di corrente AC e input

No.	Descrizione
1	Tensione di alimentazione CA: 100-240V CA~ 50/60Hz
2	Dispositivo di isolamento circuito
3	Dispositivo di protezione circuito limitare a 1,0A
4	Morsetti di tensione CA
5	Terminali non utilizzati
6	Morsetti di ingresso
7	Interruttore di ingresso

4.4.2 AL2-4EX-A2 Circuito di input

Illustrazione 4.4: Diagramma circuito di input AL2-4EX-A2

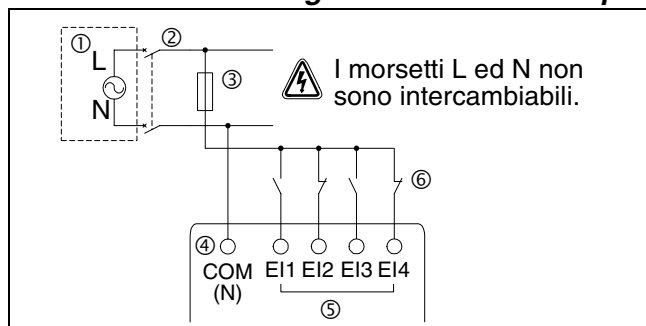


Tabella 4.4: Diagramma del circuito di alimentazione di corrente AC e input

No.	Descrizione
1	Tensione di alimentazione CA: 220-240V CA~ 50/60Hz
2	Dispositivo di isolamento circuito
3	Dispositivo di protezione circuito limitare a 1,0A
4	COM (N) Terminali
5	Morsetti di ingresso
6	Interruttore di ingresso

4.5 Circuito di alimentazione di corrente DC ed input

4.5.1 Diagramma circuito di alimentazione di corrente DC e fonte ("+" comune) di input

Illustrazione 4.5: Diagramma circuito di alimentazione di corrente DC e fonte ("+" comune) di input

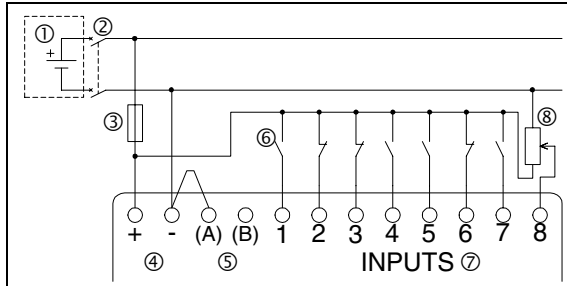


Tabella 4.5: Circuito di alimentazione di corrente DC e fonte ("+" comune) di input

No.	Descrizione
1	Tensione di alimentazione CC: 24V CC
2	Dispositivo di isolamento circuito
3	Dispositivo di protezione circuito limitare a 1,0A
4	Morsetti di tensione CC
5	Morsetti di ingresso Sink/Source
6	Interruttori di ingresso sensore
7	Morsetti di ingresso
8	Ingresso analogico

4.5.2 AL2-4EX Diagramma di fonte ("+" comune) di input

Illustrazione 4.6: AL2-4EX Diagramma di fonte ("+" comune) di input

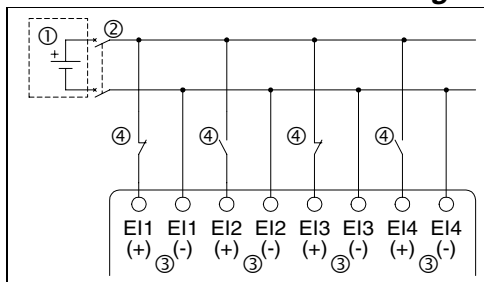


Tabella 4.6: Diagramma circuito di alimentazione di corrente DC e fonte ("+" comune) di input

No.	Descrizione
1	Tensione di alimentazione CC: 24V CC
2	Dispositivo di isolamento circuito
3	Morsetti di ingresso vedi Nopte
4	Interruttori di ingresso sensore



Nota

Ciascun terminale di ingresso (EI1 ~ EI4) può essere utilizzato sia come ingresso sorgente o ingresso di commutazione negativa.

4.5.3 Diagramma alimentazione corrente DC e abbassamento ("-") comune) di input

Illustrazione 4.7: Diagramma alimentazione corrente DC e abbassamento ("-") comune) di input

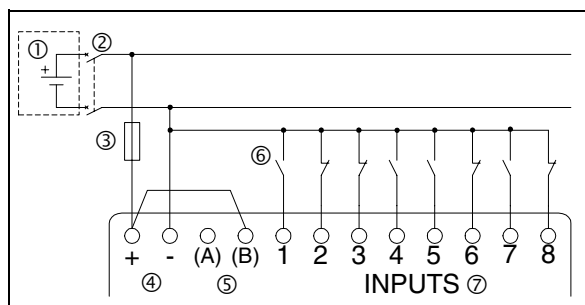


Tabella 4.7: Diagramma alimentazione corrente DC e abbassamento ("-") comune) di input

No.	Descrizione
1	Tensione di alimentazione CC: 24V CC
2	Dispositivo di isolamento circuito
3	Dispositivo di protezione circuito limitare a 1,0A
4	Morsetti di tensione CC
5	Morsetti di ingresso Sink/Source
6	Interruttori di ingresso sensore
7	Morsetti di ingresso

4.5.4 AL2-4EX Diagramma circuito diminuzione ("-") comune) input

Illustrazione 4.8: AL2-4EX Diagramma circuito diminuzione ("-") comune) input

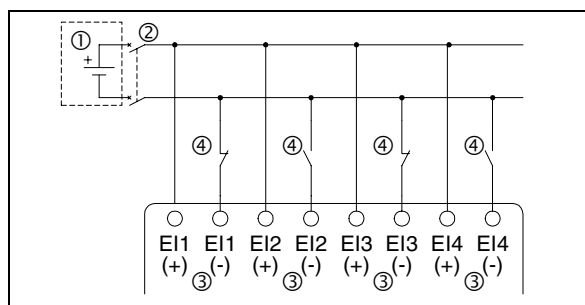


Tabella 4.8: AL2-4EX Diagramma circuito diminuzione ("-") comune) input

No.	Descrizione
1	Tensione di alimentazione CC: 24V CC
2	Dispositivo di isolamento circuito
3	Morsetti di ingresso vedi Nopte
4	Interruttori di ingresso sensore



Nota

Ciascun terminale di ingresso (EI1 ~ EI4) può essere utilizzato sia come ingresso sorgente o ingresso di commutazione negativa.

4.6 Circuito di uscita transistor e relè

4.6.1 Diagramma circuito di output del relé , unità principale (AC e/o DC)

Illustrazione 4.9: Diagramma circuito di output del relé , unità principale (AC e/o DC)

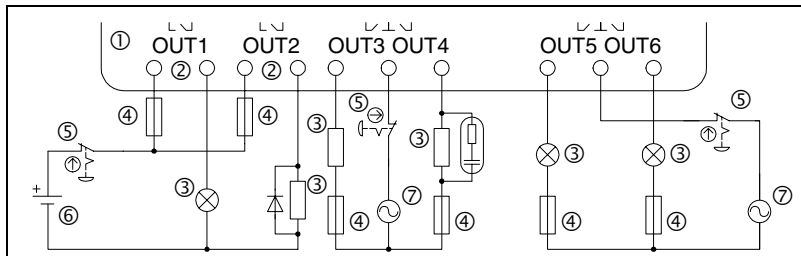


Tabella 4.9: Diagramma circuito di output del relé , unità principale (AC e/o DC)

No.	Descrizione
1	Sistema $\alpha 2$
2	Uscite mutuamente esclusive
3	Dispositivi di uscita
4	Dispositivo di protezione vedi Tabella 4.10
5	Interruttore di emergenza
6	Tensione CC
7	Tensione CA

Tabella 4.10: Relé schermo di protezione del circuito di uscita

Modello	Numero di uscite	Carico resistive max.	Dispositivo di protezione circuito (fusibile)
AL2-14MR-*	O01~O06	8A / comune	$\leq 10A$ / circuito
AL2-24MR-*	O01~O04		$\leq 10A$ / circuito
		O05~O09	2A / punto (4A / comune)

ITL

4.6.2 Diagramma circuito di output del relé , AL2-4EYR (AC e/o DC)

Illustrazione 4.10: Diagramma circuito di output del relé , AL2-4EYR (AC e/o DC)

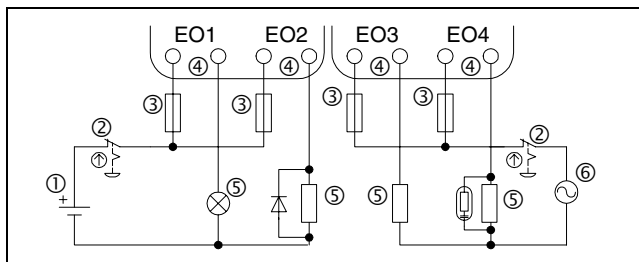


Tabella 4.11: Diagramma circuito di output del relé , AL2-4EYR (AC e/o DC)

No.	Descrizione
1	Tensione CC
2	Interruttore di emergenza
3	Fusibile ($\leq 3A$)
4	Uscite mutuamente esclusive
5	Dispositivi di uscita
6	Tensione CA

Tabella 4.12: Relé schermo di protezione del circuito di uscita

Modello	Numero di uscite	Carico resistive max.	Dispositivo di protezione circuito (fusibile)
AL2-4EYR	EO1~EO4	2A / punto	$\leq 3A$ / circuito

4.6.3 Diagramma circuito output del transistore (fonte/ "+" solo comune) AL2-4EYT

Illustrazione 4.11: Diagramma circuito output del transistore (fonte/ "+" solo comune) AL2-4EYT

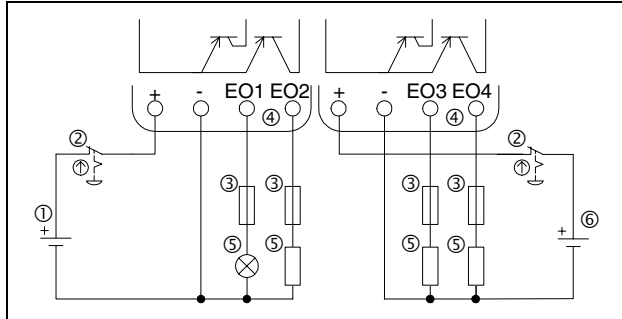


Tabella 4.13: Uscita transistore

No.	Descrizione
1	Alimentazione CC per le uscite, 24V CC
2	Interruttore di emergenza
3	Dispositivo di protezione vedi Tabella 4.14
4	Morsetti di uscita
5	Dispositivi di uscita
6	Alimentazione CC per le uscite, 12V CC

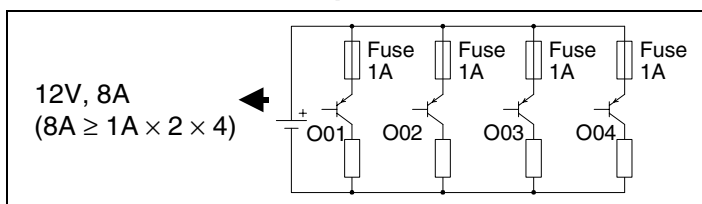
Tabella 4.14: Protezione per uscita transistore

Circuit Voltage	Circuit Protection (Fuse)
5V CC	< 0.3A / circuito
12V CC	$\leq 2.0A$ / circuito *1
24V CC	< 2.0A / circuito *1

*1 Capacità fonte di corrente \geq misura fusibile $\times 2$



Illustrazione 4.12: Esempio di calcolo della misura del fusibile



Nota;



Tabella 4.15: Morsetti di uscita

Volt	Morsetti di uscita
5	Ogni circuito può contenere da un morsetto di uscita sino al numero massimo di morsetti di uscita.
12-24	Ogni circuito può contenere da un morsetto di uscita sino al numero massimo di morsetti di uscita.
5,12,24	L'impiego di una qualsiasi combinazione di uscite da 5 Volt, 12 Volt e 24 Volt può avvenire sullo stesso controller della serie a se si utilizzano circuiti separati per ogni livello di tensione.

ITL

MEMO

5. Assegnazione dei morsetti

Illustrazione 5.1: AL2-14MR-A, Ingresso CA, Uscita relè

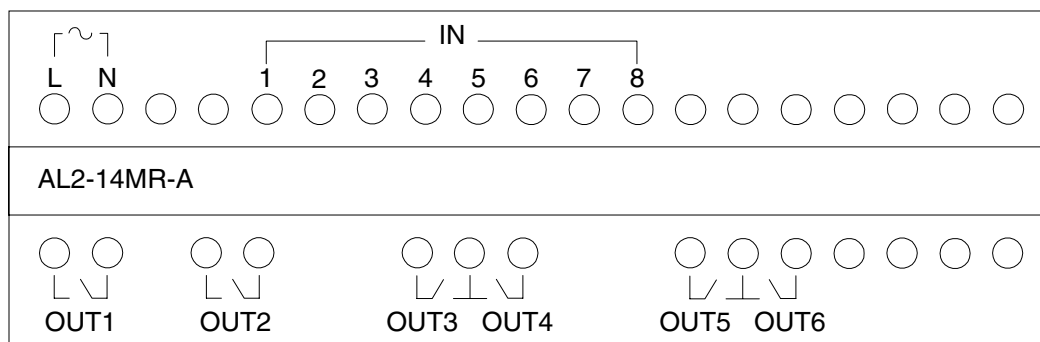


Illustrazione 5.2: AL2-14MR-D, Ingresso CC, Uscita relè

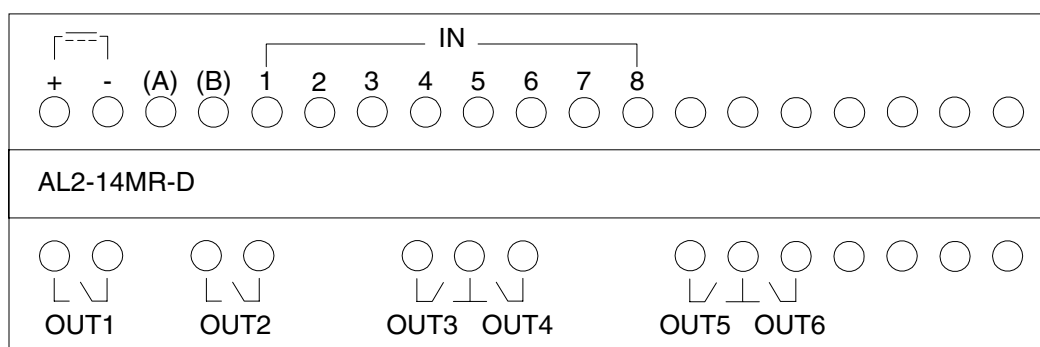


Illustrazione 5.3: AL2-24MR-A, Ingresso CA, Uscita relè

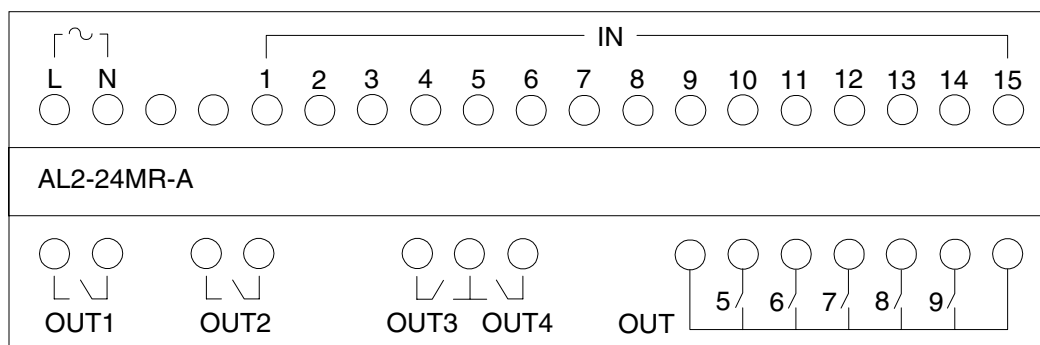
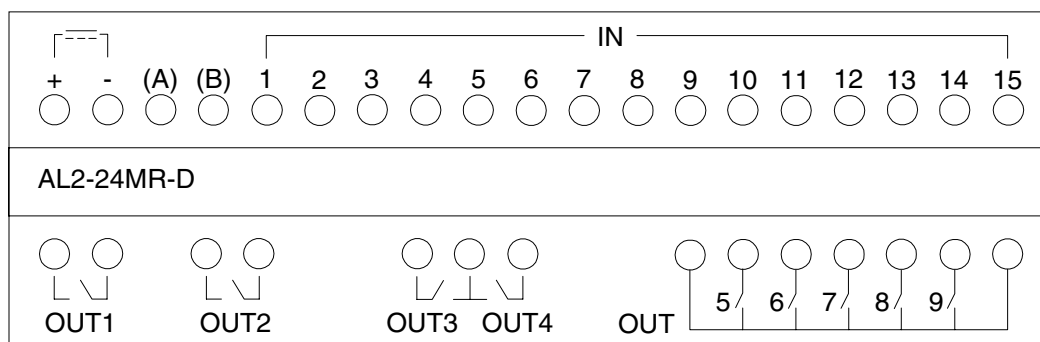


Illustrazione 5.4: AL2-24MR-D, Ingresso CC, Uscita relè



ITL

Illustrazione 5.5: AL2-4EX-A2, 220-240V Ingresso CA

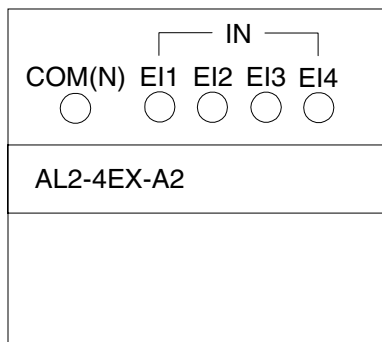


Illustrazione 5.6: AL2-4EX, Ingresso CC

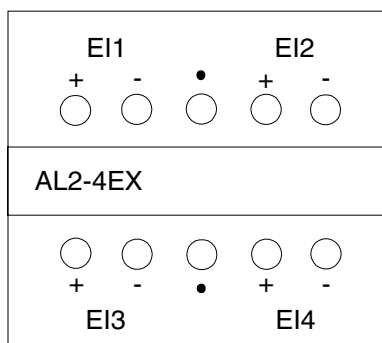


Illustrazione 5.7: AL2-4EYR, Uscita relè

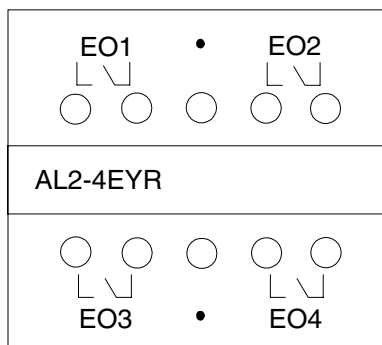
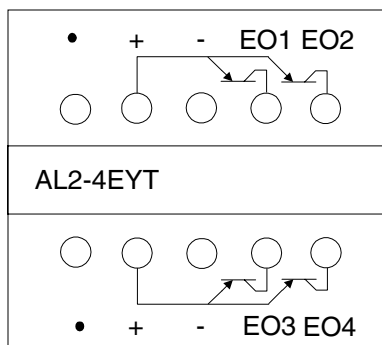


Illustrazione 5.8: AL2-4EYT, Uscita transistor



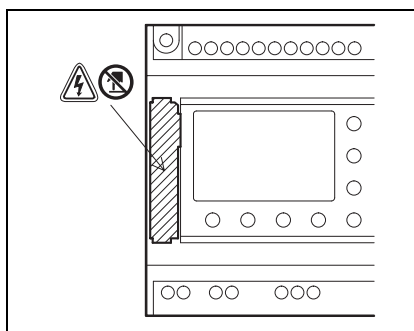
6. AL2-EEPROM-2

La CASSETTA MEMORIA AL2-EEPROM-2 è stata concepita per essere usata solo insieme al controller della serie $\alpha 2$ (modello: AL2-**M*-*).



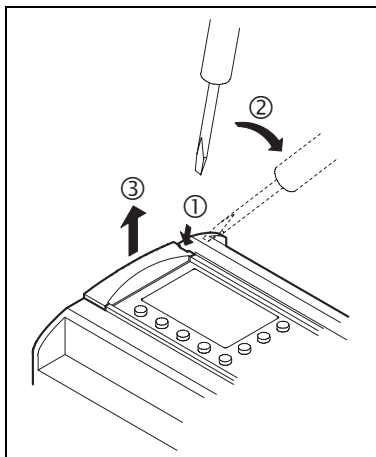
Avvertenza

- Le sole persone autorizzate a cambiare la cassetta di memoria sono quelle che conoscono a perfezione le norme locali e nazionali per i lavori elettrotecnici.
- Staccare l'alimentazione di corrente prima di installare o togliere la cassetta di memoria.
- Rimettere il coperchio dopo aver tolto la cassetta di memoria.
- Durante l'installazione del coperchio o della cassetta di memoria, della serie $\alpha 2$, fare attenzione a non schiacciarsi le dita.
- NON toccare le parti seguenti quando si toglie il coperchio o la cassetta di memoria..

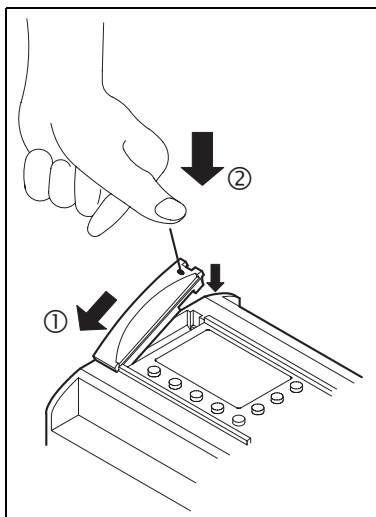


6.1 Installazione

1) Modo di togliere il coperchio o la cassetta di memoria



2) Modo di montare il coperchio o la cassetta di memoria



7. AL-232CAB

7.1 Introduzione

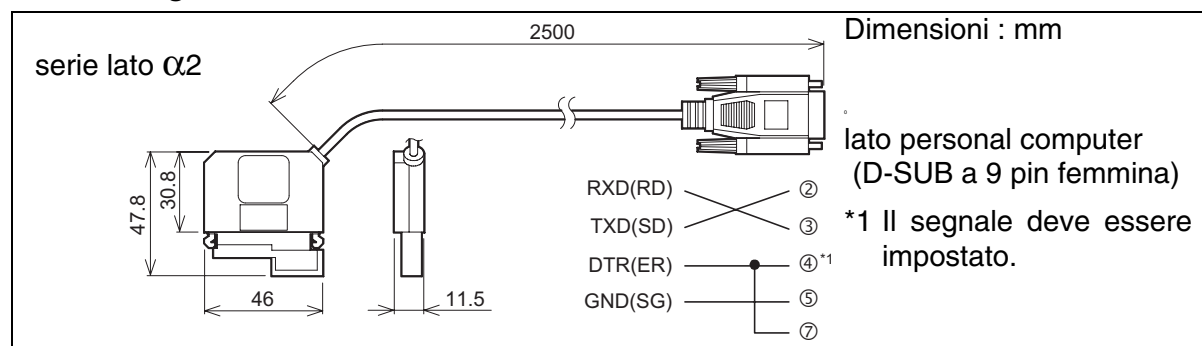
L'AL-232CAB è un cavo RS-232C collegato tra un controller della serie α (α , $\alpha 2$) ed un personal computer utilizzato come mezzo di programmazione.



Nota

- Il cavo AL-232CAB non può essere utilizzato per scopi non conformi alla sua destinazione.
- Il cavo AL-232CAB sporge di circa 40 mm dal pannello superiore se viene collegato ad un controller della serie α .

7.1.1 Misure d'ingombro



ITL

7.2 Collegare al cavo AL-232CAB



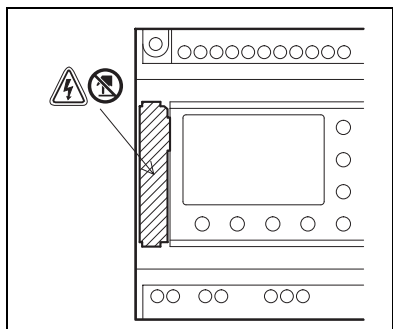
Togliere coperchio e cassetta di memoria

- Agire con cautela, per la sicurezza personale, quando si toglie il coperchio $\alpha 2$.

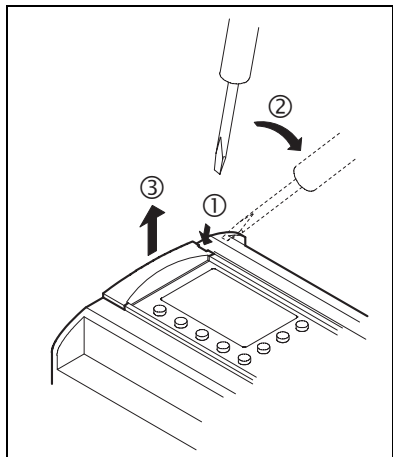


Avvertenza

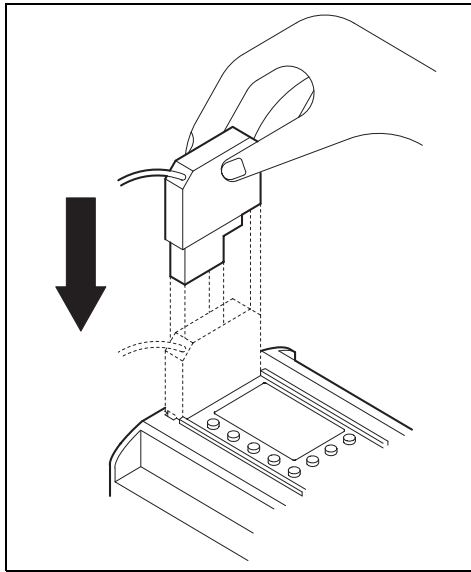
- Staccare l'alimentazione di corrente quando si installa o si stacca il cavo AL-232CAB.
- Installare il coperchio o la cassetta di memoria dopo aver tolto il cavo AL-232CAB.
- Quando si installa il coperchio del connettore o la cassetta di memoria $\alpha 2$, fare attenzione a non schiacciarsi le dita.
- Per favore tenere l'involucro protettivo quando si stacca il cavo. NON tirare sul filo elettrico.
- NON toccare la parte seguente quando di toglie il coperchio, la cassetta di memoria o questo cavo.



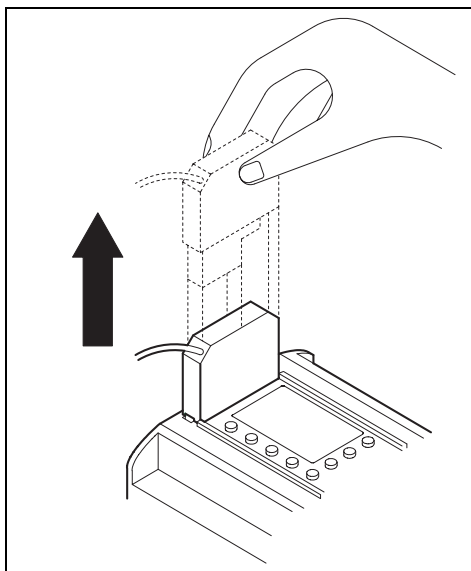
1) Come rimuovere il coperchio oppure la cassetta di memoria



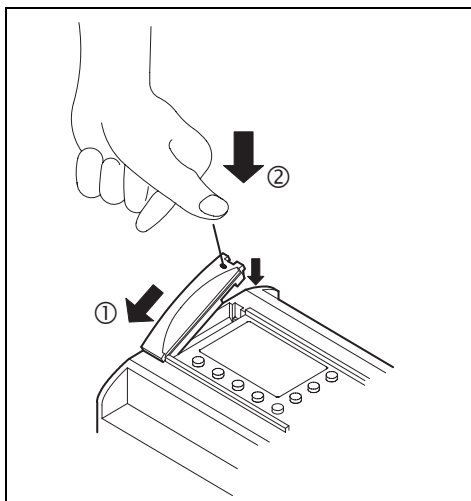
2) Come collegare il cavo AL-232CAB



3) Come rimuovere il cavo AL-232CAB



4) Come applicare il coperchio oppure la cassetta di memoria



ITL

MEMO

8. AL2-GSM-CAB

8.1 Introduzione

Lo AL2-GSM-CAB può essere usato per collegare controllori serie $\alpha 2$ ad un modem normale o GSM. Il AL2-GSM-CAB può trasmettere dati "Short Message Service" (SMS) a modem GSM, per la trasmissione a cellulari e indirizzi E-mail o può facilitare funzioni di monitoraggio remote e transfer di programmi tramite modem normale. Si può anche effettuare la comunicazione RS-232C ad un PC, se si usa un cavo di adattamento.

Ulteriori informazioni si trovano nel manuale di programmazione $\alpha 2$ e nel manuale del software α .



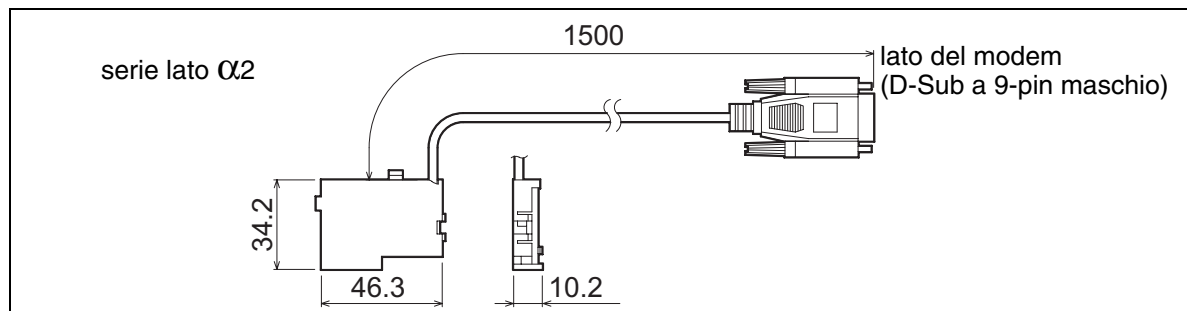
Nota:

- Questo cavo non può essere usato per altre applicazioni.
- Questo cavo non deve essere collegato ai controllori α Series .
- Comunicazione simultanea fra le due port dello $\alpha 2$ Series Controllers può verificarsi in un programma danneggiato o in caso di funzionamento errato del controller.

8.1.1 Misure d'ingombro

Illustrazione 8.1: Misure d'ingombro

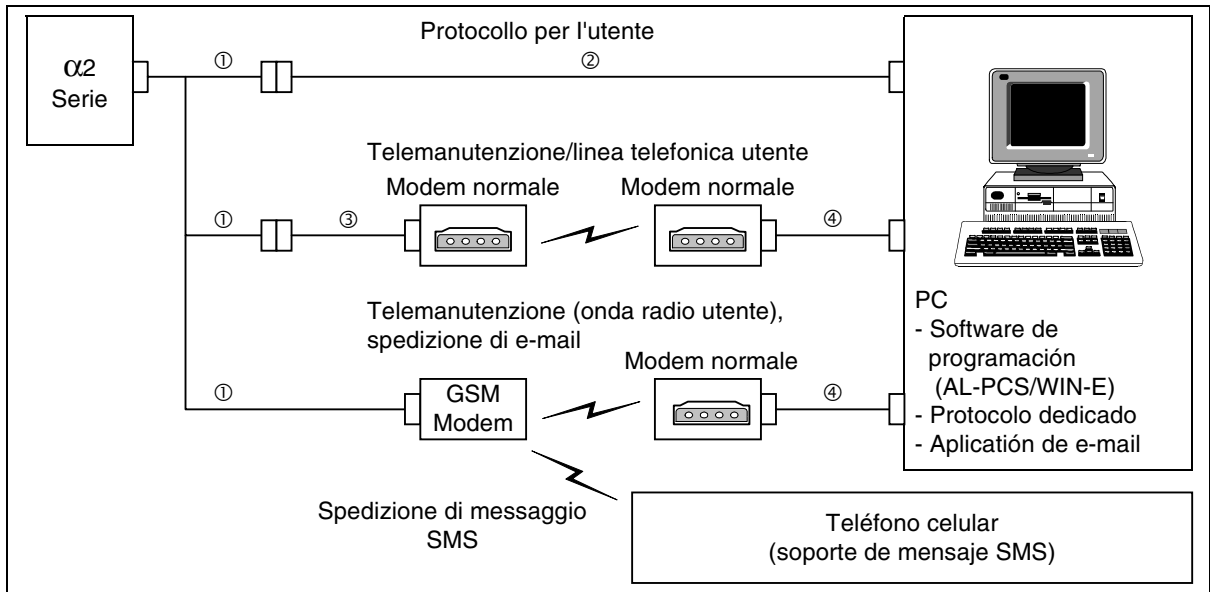
Dimensioni: **mm**



ITL

8.1.2 Configurazione del sistema con l'uso di AL2-GSM-CAB

Illustrazione 8.2: Configurazione del sistema con l'uso di AL2-GSM-CAB

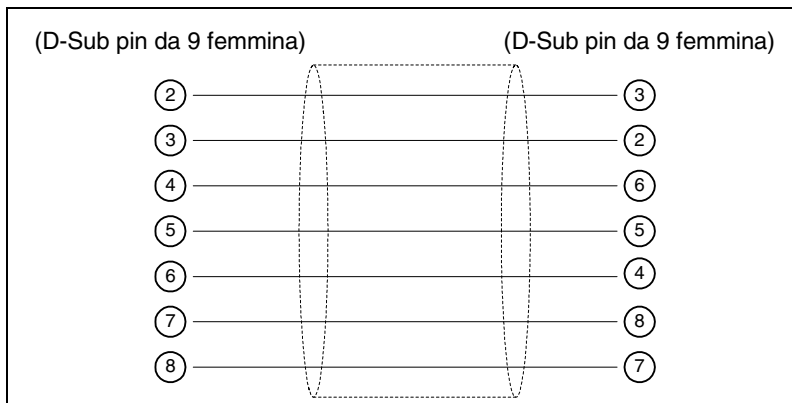


Cambiamento di punti è lo stesso che nell'illustrazione 1.2

Tabella 8.1: Configurazione del sistema con l'uso di AL2-GSM-CAB

Item	Cavo da usare
1	AL2-GSM-CAB
2	cavo incrociato RS-232C (vedi illustrazione 8.3)
3	cavo dritto RS-232C per il modem (vedi illustrazione 8.5)
4	cavo dritto RS-323 per il modem (specificato dal produttore del modem)

Illustrazione 8.3: Riferimento per cavo incrociato RS-232C



Nota:

I segnali 4 e 7 devono essere settati sull'alto livello sul lato del PC. Se questi segnali non sono settati, non comunicheranno con le serie $\alpha 2$.

8.2 Installazione

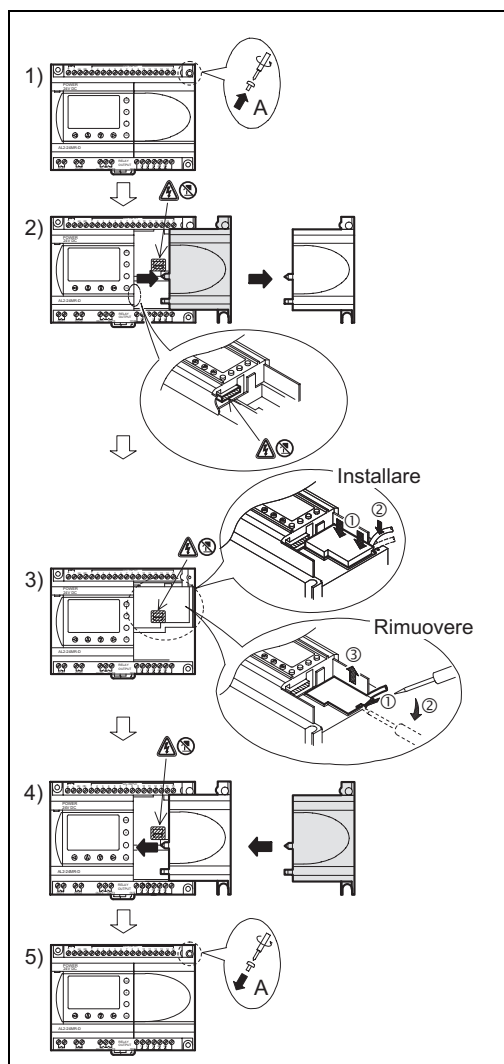
Per l'installazione dello AL2-GSM-CAB attenersi all'illustrazione 8.4.



Attenzione

- Solo persone esperte degli standard elettrici locali e nazionali possono installare o togliere lo AL2-GSM-CAB.
- Per installare o togliere lo AL2-GSM-CAB staccare la corrente.
- Rimontare il coperchio dopo ciascun intervento di installazione o rimozione del AL2-GSM-CAB.
- In nessun caso la Mitsubishi Electric si assumerà responsabilità per danni dovuti all'installazione o all'uso di questo equipaggiamento.
- Non tirare lo spago.
Se lo spago è tirato, il cavo si può danneggiare.
- Nella comunicazione via modem GSM per le serie $\alpha 2$, l'alimentazione di entrambe le unità deve essere attivata su ON. Se le unità non vengono attivate simultaneamente, le serie $\alpha 2$ non potranno comunicare via modem GSM.
- Prima di rimuovere il coperchio, disinserire tutti i terminali dall'alimentazione.

ITL

Illustrazione 8.4: Installation

- 1) Togliere la vite 'A' e conservarla per uso successivo.
- 2) Togliere con cautela la mascherina della porta di espansione montata in fabbrica o il coperchio speciale del modulo
- 3) Installare lo AL2-GSM-CAB nella cavità, mettendo con cautela il cavo nel canaletto sistemato sul lato del terminal di input.
- 4) Rimettere il coperchio $\alpha 2$ o il modulo speciale, facendo attenzione che non ci siano interferenze con lo AL2-GSM-CAB.
- 5) Riavvitare la vite 'A' e serrare con coppia di 0.4 N·m.

8.3 Manutenzione remota con un modem

Ulteriori informazioni sul modo di procedere per il setup del modem si trovano nel manuale di programmazione $\alpha 2$. Il software di programmazione (AL-PCS/WIN-E) garantisce il metodo più facile per il setup del modem.

8.3.1 Modem consigliati

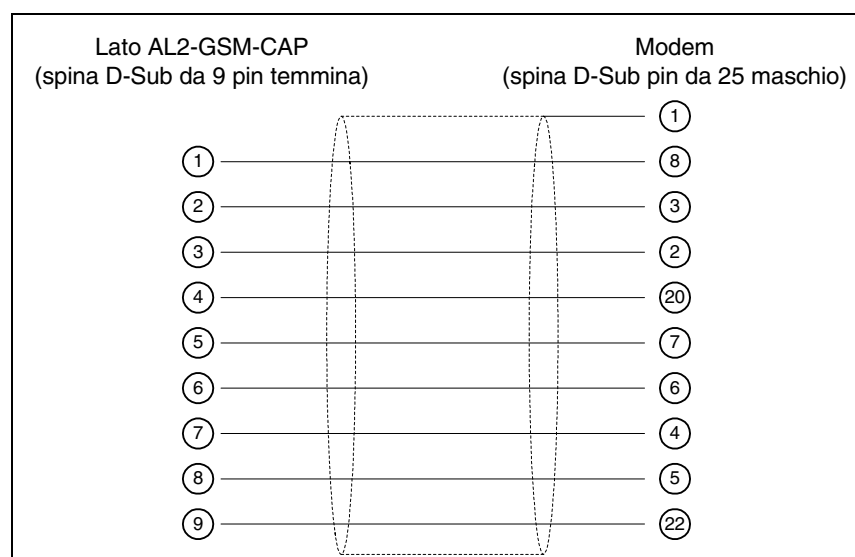
I seguenti modem sono stati testati con successo.

Tabella 8.2: Modem testati

Nome del produttore	Nome del modello	Comando del modem (comando AT)
3com	SP560V-P	ATE0Q1&B1&D0H0&I0&R1&S0S0=2S15=8&W
OMRON	ME3314	ATE0S0=2Q1&D0S15=8&R1&H0&W
AIWA	PV-AF3360	ATE0S0=2Q1&D0&M5\Q0\J0&W
Siemens	M20T	ATE0S0=2&S0;+IFC=0,0;+CMEE=1;+IPR=9600&W

8.3.2 Cavo dritto RS-232C fra modem e AL2-GSM-CAB

Illustrazione 8.5: Cavo dritto RS-232C riferimento fra Modem e AL2-GSM-CAB



ITL

8.3.3 Regolazione del modem

1) Regolazione del lato PC

Installare il file per la regolazione del collegamento nel modem.

2) Regolazione del modem $\alpha 2$ series

Il modem sul lato $\alpha 2$ series è regolato dal comando ModemInit dell'unità principale.

a) Riguardo al comando del modem (comando AT)

Usare il comando AT per inizializzare il. Confermare i dettagli del comando AT nel manuale del modem usato. I comandi AT devono essere stati preparati per scegliere i modem nella tabella 8.4 (Modem normale) e 8.5 (GSM modem) in basso.

Tabella 8.3: Modem testati

Nome del produttore	Nome del modello	Nome del modello Comando del modem (comando AT)
3com	SP560V-P	ATE0Q1&B1&D0H0&I0&R1&S0S0=2S15=8&W
OMRON	ME3314	ATE0S0=2Q1&D0S15=8&R1&H0&W
AIWA	PV-AF3360	ATE0S0=2Q1&D0&M5\Q0\J0&W
Siemens	M20T	ATE0S0=2&S0;+IFC=0,0;+CMEE=1;+IPR=9600&W

Ulteriori informazioni sul metodo per inizializzare un modem, le si trovano nel manuale di programmazione $\alpha 2$.

Se vengono usati modem non elencati nella tabella in alto, regolare il comando AT per soddisfare i seguenti requisiti.

Tabella 8.4: AT Comando per modem (Modem normale)

Setting di regolazione	Contenuto della regolazione	Esempio di regolazione		
		SP560V-P	ME3314	PV-AF3360
regolazione eco di comando	nessuno	E0	E0	E0
frequenza di chiamata di auto-risposta	doppio	S0=2	S0=2	S0=2
codice di risultato visualizzato	nessuno	Q1	Q1	Q1
controllo DTR	sempre on	&D0	&D0	&D0
controllo DSR	sempre on	&S0		
modo di comunicazione	modo V.24bis	S15=8	S15=8	&M5
velocità di dimensione fissa di terminal	fissa	&B1	\J0	
schema di controllo flusso terminal	nessuno	-&R1	\Q0	
controllo flusso dati di trasmissione	nessuno	&H0	&H0	-
controllo flusso di dati ricevuti (software)	nessuno	&I0		
controllo flusso dati ricevuti (controllo RTS)	nessuno	&R1		
scrittura nella memoria volatile	scrittura nella memoria non volatile	&W	&W	&W

Tabella 8.5: Comando AT per modem GSM

Setting di regolazione	Contenuto della regolazione	Esempio di regolazione
		M20T
attivare eco di comando	modo eco OFF	E0
regolare il numero di squilli prima che segua la risposta automatica alla chiamata	attivare risposta automatica allo squillo doppiamente	S0=2
regolare il modo di funzionamento set circuito di dati pronto (DSR)	DSR sempre ON	&S0
regolare controllo flusso dati locali TE-TA	<ul style="list-style-type: none"> specifica il metodo che verrà usato da TE se i dati vengono ricevuti da TA: nessuno specifica il metodo che verrà usato da TA se vengono ricevuti dati da TE:nessuno 	+IFC=0,0
riferisce errore dotazione mobile	attiva il codice del risultato e usa il valore numerico	+CMEE=1
regola la rate locale fissa	Baud rate: 9600 bps	+IPR=9600
regola il modo di funzionamento rilevamento portante di dati di circuito *1 (DCD)	la linea DCD è ON solo alla presenza della portante dei dati	&C1
seleziona il tipo di servizio di supporto *1	9600 bps (V.32) , modem asincrono, non trasparente	+CBST=7,0,1
memorizza parametro corrente per usare profilo definito	il profilo dell'utente è memorizzato nella memoria non volatile	&W

*1 Nel caso del Siemens M20T, queste regolazioni non sono necessarie in quanto esse sono regolazioni default. Se si usano altri modem GSM, può essere che queste regolazioni siano necessarie.

b) Durata dell'inizializzazione del modem durante lo startup del sistema.

Nel $\alpha 2$ series, questa è una funzione per ritardare la trasmissione del comando modem (comando AT), per inizializzare il modem dalla unità principale, al momento della partenza. Il ritardo può oscillare fra 0 e 10 secondi. Questo comando può essere utile per assicurare che il comando AT è trasmesso correttamente, se la partenza del $\alpha 2$ series è più veloce della partenza del modem.

Ulteriori informazioni delle operazioni modem sono reperibili nel manuale di programmazione $\alpha 2$ e nel manuale del software α .

MEMO

9. AL2-ASI-BD

La scheda di interfaccia sensori attuatori AL2-ASI-BD viene utilizzata insieme ad un controllore delle serie $\alpha 2$ per la comunicazione dati tramite una rete AS (interfaccia AS = Actuator Sensor).

Ulteriori informazioni si trovano nel manuale di programmazione $\alpha 2$.



Avvertenza

- La cassetta di memoria può essere sostituita unicamente da personale specializzato a conoscenza delle specifiche elettriche locali e nazionali.
- Per installare o rimuovere la cassetta di memoria occorre dapprima disinserire l'alimentazione principale.
- Sostituire il coperchio dopo aver rimosso la cassetta di memoria.
- La Mitsubishi Electric non si assume in alcun caso la responsabilità di danni consequenziali derivanti dall'installazione o dall'impiego dell'equipaggiamento.

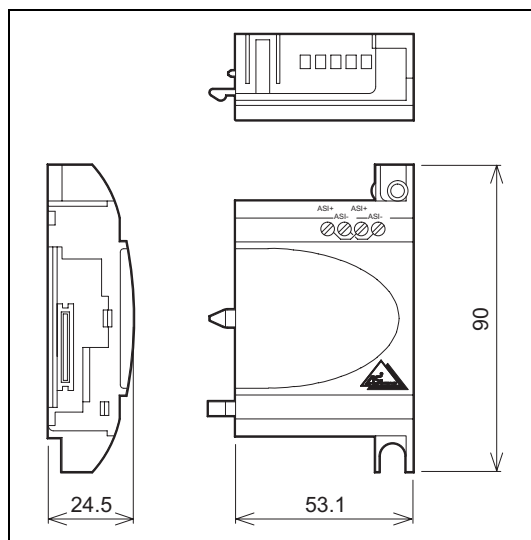
9.1 Introduzione

La scheda AL2-ASI-BD si collega all'unità principale del controllore serie α formando una stazione secondaria per una rete di tipo AS (ingressi 4 punti, uscita 4 punti). Per realizzare una rete ad interfaccia AS si possono collegare sino ad un massimo di 31 slave. L'alimentazione necessaria viene fornita attraverso il bus di interfaccia AS dall'alimentatore dell'interfaccia AS. Il segnale di comunicazione viene sovrapposto tramite l'alimentatore sul bus di interfaccia AS.

9.1.1 Dimensioni esterne

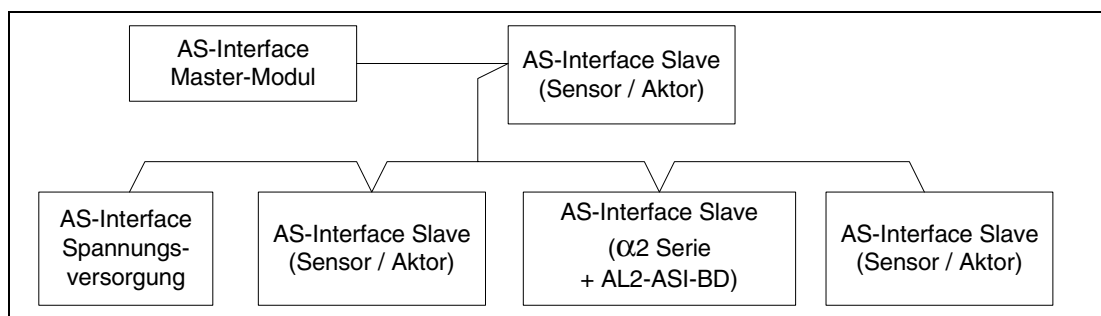
Illustrazione 9.1: Misure d'ingombro

Dimensioni: *mm*



9.1.2 Configurazione del sistema

Illustrazione 9.2: Configurazione del sistema



9.2 Specifiche Tecniche

Per specifiche in generale, riferirsi per favore al capitolo 2.

Tabella 9.1: Specifiche di comunicazione dell'hardware

Posizione	Descrizione
Numero di I/O	4 ingressi (E01-E04) 4 uscite (A01-A04)
Tempo di refresh I/O	Max. 5ms
Distanza rete	Max. 100m
Tensione di alimentazione esterna	Typ. 30.5V DC (alimentatore interfaccia AS)
Consumo di corrente esterna	40 mA o inferiore
Direttiva CE	EMC
Conforme alle norme	ASi

Tabella 9.2: Specifiche di comunicazione del software

Posizione	Descrizione
Numero di stazioni	Impostato dalla stazione primaria (impostazione di fabbrica 0)
Codice di I/O	7
Codice di I/D	F
Bit dati	D0 - D3 ingresso uscita 01 - 04 (E01 - E04, A01 - A04)
Bit parametri	P0 Da monitor di comunicazione (impostata per default) ^{*1}
	P1,P2,P3 Non utilizzato
Bit sistema	M6 "ON" se si verifica errore di comunicazione di interfaccia AS
	M7 "ON" se si verifica errore di comunicazione per mancanza di corrente di interfaccia AS
Bit control	N1 ON: scollegare dalla rete dell'interfaccia AS OFF: collegare alla rete dell'interfaccia AS

*1 Funzione per resettare il segnale di ingresso quando la comunicazione dell'interfaccia AS è disattivata per 70 ms ed oltre.

9.3 Cablaggio e Installazione

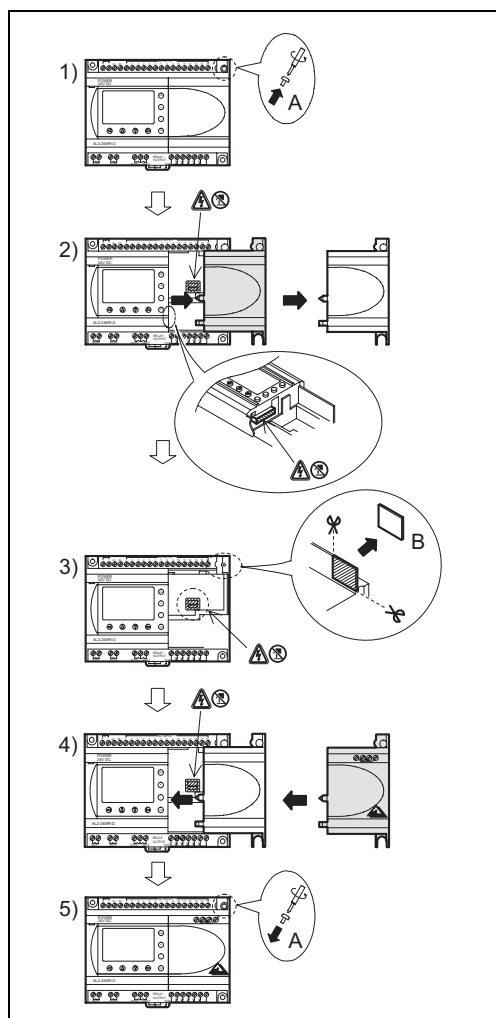
9.3.1 Installazione



Attenzione

Prima di rimuovere il coperchio, disinserire tutti i terminali dall'alimentazione.

Illustrazione 9.3: Installazione



- 1) Rimuovere la vite 'A' e conservarla.
- 2) Rimuovere con cautela la mascherina della porta di espansione montata in fabbrica.
- 3) Tagliare la sezione 'B' dell'unità base del controllore della serie $\alpha 2$.
- 4) Collocare la scheda AL-ASI-BD sull'unità base.
- 5) Applicare di nuovo la vite 'A' e serrarla con una coppia di 0,4 N-m.

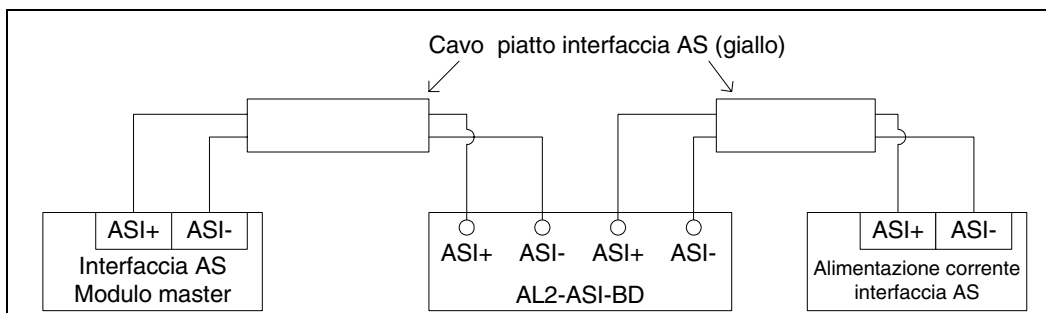
ITL

9.3.2 Allacciamento elettrico



Usare il cavo piatto per interfaccia AS (giallo) per collegare AL2-ASI-BD alla rete. Quando si collega il cavo dell'interfaccia AS al modulo, serrare le viti del pin di comunicazione con una coppia pari a 0,5 - 0,6 N·m.

Illustrazione 9.4: Allacciamento elettrico



9.4 Impostazione dell'indirizzo secondario e diagnosi

9.4.1 Impostazione dell'indirizzo secondario

Un indirizzo secondario può essere impostato in due modi, ovvero tramite la scheda primaria dell'interfaccia AS oppure con un dispositivo di programmazione. Quando viene aggiunta una nuova stazione al bus di interfaccia AS, la scheda primaria assegnerà l'indirizzo libero più basso.

Gli indirizzi secondari sono compresi in un range tra 1 e 31 e possono essere assegnati soltanto ad una scheda con indirizzo iniziale 0 (zero). Prima della spedizione, le nuove schede vengono preimpostate su 0. Se una scheda è stata precedentemente assegnata ad un indirizzo diverso da 0, prima di poterla aggiungere alla rete dovrà essere impostata sullo zero.

Alla rete si possono aggiungere molti moduli alla volta; tutti, eccetto uno, devono essere impostati come moduli passivi (imposta N1=1). Una volta accesa la rete, i moduli possono essere attivati singolarmente (cambia N1=0) dove il network master assegnerà il numero di stazione.

Le stazioni devono essere aggiunte alla rete una per volta. In questo caso, la rete deve essere disinserita prima di effettuare qualsiasi aggiunta. Per maggiori dettagli su come modificare il numero di stazioni da una scheda primaria di interfaccia AS, consultare il manuale delle schede primarie di interfaccia AS.

9.4.2 Controlli di errore applicabili:

- 1) Se si verifica un errore di comunicazione (M6):
 - controllare i collegamenti con la scheda primaria di interfaccia AS e che il numero della stazione secondaria sia corretto.
- 2) Se si verifica un errore di alimentazione comunicazione (M7):
 - controllare il collegamento del cavo del bus di interfaccia AS su ogni unità connessa, l'alimentatore dell'interfaccia AS ed il relativo funzionamento.

10. Elenchi dei tasti, dei bit del sistema e del blocco di funzione

10.1 Elenchi dei tasti

La tabella che segue contiene i tasti usati per lavorare nel menu e nel programma dell'utente. Ulteriori informazioni si trovano nel manuale di programmazione $\alpha 2$.

Tabella 10.1: Liste chiave operativa

Nome del tasto	Numero tasto	Funzione principale del tasto
OK	K01	Accettazione inserimento dati, opzioni di menu, selezioni di programma
ESC	K02	Cancella operazioni in corso, passa a schermo o menu superiore
+	K03	Collega blocchi funzionali, passa a blocchi con numero più alto, aumenta valori
-	K04	Disconnette blocchi funzionali, passa a blocchi con numero più basso, abbassa valori
▲	K05	Passa ad elementi dal numero maggiore (tasti, blocchi funzionali, ingressi, uscite, etc.)
▼	K06	Passa ad elementi dal numero minore (tasti, blocchi funzionali, ingressi, uscite, etc.)
▶	K07	Si muove a destra nello schermo LCD, nel programma dei blocchi funzionali o comando di Salta
◀	K08	Si muove a sinistra nello schermo LCD, nel programma dei blocchi funzionali o comando di Salta

ITL

10.2 Elenco bit del sistema

Questo è il bit di sistema controllato dal sistema ed il bit di controllo per controllare dal programma dell'utente.

10.2.1 Elenchi bit di sistema

Tabella 10.2: Elenchi bit di sistema

Bit di sistema	Descrizione
M01	Sempre "ON"
M02	Sempre "OFF"
M03	Alternativamente - 0.5 secondi "ON", 0.5 secondi "OFF"
M04	"ON" se si verificano errori nei dati del timer di tempo reale
M05	"ON" se è attivato l'orario estivo.
M06	"ON" se si verifica errore di comunicazione di interfaccia AS
M07	"ON" se si verifica errore di comunicazione per mancanza di corrente di interfaccia AS
M08	ON se il modo "stop rotazione " va in modo "Run" nella serie (2. Il segnale ON agisce come un output di impulso e poi effettua OFF.
M09	OFF se il modo "stop rotazione " va in modo "Run" nel series (2. Il segnale OFF agisce come un output di impulso e poi effettua ON.
M10	Riservato
M11	Riservato
M12	"ON" se il segnale CD (DCD) è ON (riceve segnale CD dal modem)
M13	"ON" se è possibile l'accesso al network GSM
M14	"ON" se l'accesso al $\alpha 2$ series avviene tramite GSM.

10.2.2 Elenco bit di controllo

Tabella 10.3: Bit di controllo

Bit di controllo	Descrizione
N01	ON: scollegare dalla rete dell'interfaccia AS OFF: collegare alla rete dell'interfaccia AS
N02*1	ON: la luce posteriore è "OFF" sul LCD. OFF: la luce posteriore è controllata dalla regolazione "durata luce" nel menu.
N03*1	ON: la luce posteriore è "ON" sul LCD. OFF: la luce posteriore è controllata dalla regolazione "durata luce" nel menu.
N04	ON: lo schermo dell'utente è controllato dalla regolazione del "display manager" con AL-PCS/WIN-E. OFF: lo schermo dell'utente è controllato dal programma dell'utente.

*1 Se sia N02 che N03 sono ON e quindi la luce posteriore è "ON" dato che a N03 è data la priorità.

10.3 Elenchi blocchi di funzione

Ulteriori informazioni per i blocchi di funzionamento si possono trovare nel manuale di programmazione (Series).

Tabella 10.4: Elenchi blocchi di funzione

Blocco di funzione		Spazio di memoria necessario (byte)	Descrizione
nome	simbolo		
AND	AND	19	output On se tutti gli input sono ON. Gli input non usati vengono considerati OFF
OR	OR	19	output ON se da ultimo un input ON. Gli input non usati vengono considerati OFF
NOT	NOT	10	inverte un segnale; cambia un OFF in un On e viceversa.
XOR	XOR	13	OR esclusivo; output On se solo uno di due impulsi è ON.
NAND	NAND	19	non AND; output OFF solo se tutti gli input sono ON. Gli input non usati vengono considerati ON
NOR	NOR	19	non OR; output OFF se da ultimo un input è ON. Gli input non usati vengono considerati OFF
Boolean	BL	*1	equazione logica con l'uso di AND, OR, XOR, NOT
Set/Reset	SR	14	fissa un relé in posizione SET o RESET, dà priorità di Set o Reset
Impulso	PL	10	trasmette un impulso sull'emergere, sulla caduta o su i due contorni
Alternato	AL	13	Si alternano le uscite commutando in ON o OFF con ogni impulso di ingresso
Ritardo	DL	19	ritarda un segnale sull'emergere, sulla caduta o su i due contorni
Impulso	OS	17	trasmette un impulso singolo; basato su tempo o segnale di input, disponibile pin di reset
Flicker	FL	19	trasmette una sequenza di impulsi; basato su tempo o segnale di input, disponibile pin di reset
Time Switch	TS	*2	usare il RTC per regolare l'output su ON/OFF; calendario o programma settimanale
Mantenimento Time Switch	TSm	*2	usare il RTC per regolare l'output su ON/OFF; calendario o programma settimanale Il programma può essere cambiato con "Setup TS" nel menu Top.
Counter	CN	16	conto ascensionale su impulsi, può azzerare come un segnale
Up/Down Counter	UD	22	conto ascensionale o discensionale, regola un valore di preset per far arrivare un output come ON
Comparazione	CP	17	confronta due valori per <, >, =, <=, >=, <> (analogico, regolazione diretta o valori FB)
Offset gain	OG	22	valori analogici manipolati; $y = A/B * x + C$; regola valori limite alti e bassi
Display	DP	*3	Schermo con display per l'utente (messaggi o dati) sul display LCD
Comparazione area	ZC	20	confronta un valore con una gamma di valori (analogico, regolazione diretta, o valori FB)

ITL

Tabella 10.4: Elenchi blocchi di funzione

Blocco di funzione		Spazio di memoria necessario (byte)	Descrizione
nome	simbolo		
Leva a scatto Schmitt	ST	19	regola un input su ON sul valore alto e OFF sul valore basso (o viceversa)
Ora metro	HM	19	registra il tempo accumulato fino a che un segnale è ON
Monitoraggio velocità	SPD	25	La frequenza di input del segnale (on/off) è misurata per una lunghezza di tempo fissata. La frequenza è confrontata alla gamma di valore e l'output è regolato su ON/OFF, secondo il risultato.
Ampiezza impulso Modulazione	PWM	16	Una sequenza continua di impulsi viene emessa se si usa questo blocco di funzioni. Le caratteristiche degli impulsi sono definite come: rendimento d'impulso. (regolazione diretta, analogico, valori FB), tempo di ciclo.
Retentivo Alternato	RAL	13	Si alternano le uscite in commutazione ON o OFF con ogni impulso di ingresso. Si mantiene l'ultimo stato ingresso, se l'alimentazione di corrente ha avuto ciclo OFF e ON. Si perde l'ultimo stato uscita, se la serie $\alpha 2$ è condotta nel modulo stop.
Addizione	ADD	20	$y = A + B$
Sottrazione	SUB	20	$y = A - B$
Moltiplicazione	MUL	20	$y = A \times B$
Divisione	DIV	20	$A \div B = q, r$ (quoziente e resto)
Calcolo	CAL	*4	equazione con +, -, x, %, e i dati scelti.
Shift	SFT	19	Funzionamento shift; se il segnale "SFT" è un input, l'ultimo stato del segnale "I" è un output. Se si usa un funzionamento shift da 8 bit, il blocco di funzione "Shift" deve essere proseguito 8 volte.
GSM SMS	SMS	*5	Il contenuto di uno schermo LCD viene spedito come un messaggio SMS.
Impulso random	ROS	19	L'impulso singolo di lunghezza casuale è un output.
Impulso ritardato	DOS	20	Dopo un tempo di ritardo, spedire un impulso singolo
Alternanza ritardata	DAL	16	Dopo un tempo di ritardo, l'output alterna la regolazione su On o OFF con ogni impulso di inpute
Set/Reset ritentivo	RSR	14	Fissa un relé in posizione SET o RESET, dà priorità di Set o Reset. Si mantiene l'ultimo stato di ingresso se l'alimentazione di corrente ha avuto ciclo OFF e ON. Tuttavia, si perde l'ultimo stato di uscita, se la serie $\alpha 2$ è condotta nel modulo stop.

Tabella 10.4: Elenchi blocchi di funzione

Blocco di funzione		Spazio di memoria necessario (byte)	Descrizione
nome	simbolo		
Monitoraggio	CDP	*6	Controllo che lo schermo del display appare sul LCD. Questo blocco di funzioni può essere regolato solo nel software AL-PCS/WIN-E. Se il bit di controllo N04 è ON, è possibile controllare lo schermo dell'utente mostrato.
Connessione	_B	10	Questo blocco di funzione CONNECT (collegare) è un FB interno, usato per mostrare la memoria usata dai bit di sistema, i bit per l'interfaccia AS e i tasti di funzionamento. Sullo schermo non appare nessun blocco di funzione o mostra come è usato nella bix di dialogo "Memory Configuration Usage" (modo d'uso della configurazione della memoria), il fine è solo quella di calcolare la memoria utilizzata dai bit elencati sopra
output del sistema	Out	10	controllo di dispositivo esterno mediante relé e transistori

*1 Numero di bytes usati= 19 + 1 (caratteri in equazione)

*2 Numero di bytes usati = 8 + 4 (numero di commutatori temporali)

*3 Numero di bytes usati è deciso dall'item sul mostrato sul display.

Tabella 10.5: Item visualizzati sul display e numero di bytes usati

Item visualizzato sul display		Numero di bytes, $\alpha 2$ series
caratteri		16 + 1 (ogni carattere è visualizzato)
analogico, valore FB	valore	17
	graf.	23
ora, data		14
istruzione di salto temporale		17

*4 Numero di bytes usati = 30 + 1 (caratteri in equazione)

*5 numeri di bytes usati = 12 + 1 (caratteri nell'indirizzo E-Mail)

*6 numeri di bytes usati= 32 + 3 (numero di schermo)

MEMO

11. Diagnostica



Avvertenza

- Non toccare il terminal perché è sotto tensione. Ciò può provocare un malfunzionamento dell'apparecchiatura o una scossa elettrica.



Avvertenza

- Alimentare corrente caratteristica.
Se viene alimentata una corrente diversa da quella caratteristica (appropriata), il prodotto può essere danneggiato o provocare un incendio.
- Collegare "L (Live)" dell'alimentazione di corrente a "L terminal" nell'unità principale e collegare "N (neutro)" a "N terminal" nell'unità principale correttamente, quando si allaccia l'alimentazione di corrente AC.
Un allacciamento errato provocherà scossa elettrica, danno al controller o incendio.
- Collegare il filo "L (Live)" dell'alimentazione di corrente al terminal di input dell'unità AC.
- Collegare il "+" della alimentazione di corrente al "+" del terminal nella unità principale e collegare il "-" dell'alimentazione di corrente al "-" terminal" quando si allaccia l'unità DC.
Un allacciamento errato provocherà scossa elettrica, danno al controller o incendio.



Osservazioni sull'uso

- Le serie $\alpha 2$ del controllore devono essere utilizzate con cassetta di memoria, cavo di comunicazione, o coperchio del connettore installati. Altrimenti, se la presa è scollegata, si possono verificare guasti o scosse elettriche.
- Usare il board d'espansione o il coperchio del connettore mentre viene alimentata corrente al controller α serie.
Un'installazione errata dell'apparecchiatura può provocare danni al controller o scossa elettrica.

ITL

11.1 Errore stato di input

Mettere il controller $\alpha 2$ nel modo stop. Ciclizzare la corrente all'apparecchiatura collegata ai terminali di input e controllare se lo stato di input è visualizzato correttamente. Se così non fosse, controllare i punti in basso.

Ulteriori informazioni sul display dello stato si trovano nel manuale di programmazione $\alpha 2$.



Osservazioni sull'uso

Non collegare un filo con un'estremità saldata al terminale $\alpha 2$ series. Ciò può provocare un contatto "magro" e la possibilità che il filo si tagli.

- 1) Controllare il circuito per l'alimentazione di corrente e gli input.
- 2) Controllare che la dotazione usata per gli input sia conforme alla specifica nel paragrafo 2.3 di questo manuale.

11.2 Errore stato di output

Mettere il controller nel modo stop. Sollecitare gli output ON/OFF e controllare il funzionamento degli output. Controllare che il programma sia stato scritto per ottenere i risultati desiderati.

Ulteriori informazioni si possono trovare riguardo al funzionamento di sollecitazione ON/OFF nel manuale di programmazione $\alpha 2$.



Osservazioni sull'uso

Effettuare i funzionamenti ON/OFF sollecitati solo dopo aver controllato esaurientemente che la cosa sia sicura. Se il funzionamento sollecitato ON/OFF viene eseguito scorrettamente, possono insorgere danni alla macchina o al controller o ad un dispositivo di sicurezza.

Se non si prendono le adeguate precauzioni, possono verificarsi danni all'apparecchiatura o si può avere un malfunzionamento della macchina.

- 1) Controllare il circuito dell'alimentazione di corrente e degli output.
- 2) Controllare se l'apparecchiatura usata per gli output sia conforme alla specifica nel capitolo 4.4. di questo manuale.

11.3 TOP MENU non è visualizzato

Si deve azionare il tasto menu per accedere al Top Menu. Premere contemporaneamente i tasti "OK" e "ESC". Se il tasto per la chiamata del menu non è impostato, usare o il software di programmazione per il modo stop o eseguire il funzionamento di stop forzato.

Non si può accedere al Top Menu dai tasti. Comunque, premendo simultaneamente i tasti "OK + ESC" durante il power up, apparirà il Top Menu.



Avvertenza

Eeguire il funzionamento di stop forzato solo dopo aver controllato esaurientemente che l'operazione sia cosa sicura.

Se il funzionamento sollecitato ON/OFF viene eseguito scorrettamente, possono insorgere danni alla macchina o al controller o ad un dispositivo di sicurezza.

Se non si prendono le adeguate precauzioni, possono verificarsi danni all'apparecchiatura o si può avere un malfunzionamento della macchina.

Funzionamento di stop forzato

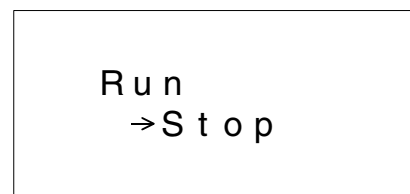
- 1) Spegnerne l'alimentazione di corrente del $\alpha 2$.
- 2) Riattivare la corrente (ON) mentre si preme contemporaneamente i tasti "OK" e "ESC".

Lo schermo sulla destra è visualizzato..

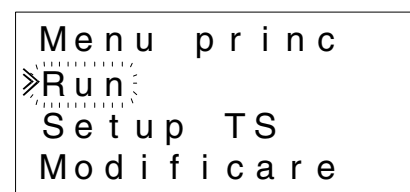
L'opzione per mettere il controller nel modo stop sarà disponibile per circa cinque secondi. Premere il tasto "OK" per attivare il modo stop. Se non è premuto alcun tasto, il controller ritornerà nel modo "Run".

- 3) Premere il tasto "ESC".

Il "Men Princ" illustrato a destra è visualizzato.



ITL



11.4 Non si può attivare il modo "Run."

Se il $\alpha 2$ series non commuta sul modo "Run", controllare quanto segue.

- 1) Il messaggio "Ingresso Error" o "Output Error" è visualizzato sullo schermo.
Il programma incluso nella cassetta di memoria ha più punti di input e/o output di quanto non sia permesso nel corpo del controller.
 - a) Se si fa il programma con il software di programmazione.
Il contenuto del programma ed il modello sono controllati con il software di programmazione. Scrivere il programma per il controller $\alpha 2$ series e non usare una cassetta di memoria.
 - b) Se si fa il programma con i tasti del pannello anteriore del $\alpha 2$ series.
Togliere la cassetta di memoria e rifare il programma.
 - c) Installare la cassetta di memoria nel $\alpha 2$ series di tipo 254 punti.
 - d) Scrivere il programma in un $\alpha 2$ series dello stesso tipo nel quale verrà usato il programma.
- 2) I dati del programma hanno un errore.
Se il programma non può essere visualizzato con "Editare" nel "Men princ", è possibile che dati del programma siano danneggiati. Commutare da "Men princ" al modo "Run" dopo aver cancellato il programma.
 - a) Di nuovo il programma e commutare su modo "Run".
 - b) Rivolgersi ad un rivenditore Mitsubishi se è impossibile commutare sul modo RUN .

11.5 Dati orologio errati

Confermare il seguente item.

- 1) I dati dell'orario sono perduti.
Se sono passati circa 20 giorni o più da quando è stata alimentata corrente al $\alpha 2$ serie, i dati riguardanti l'orario sono perduti. In tal caso, si devono impostare nuovamente i dati. Ulteriori informazioni per impostare i dati riguardanti l'orario, si trovano nel manuale di programmazione del $\alpha 2$.
- 2) Ci sono anticipi e ritardi nei dati riguardanti l'orario.
L'esattezza dei dati orari è di ± 5 secondi al giorno. Usare la funzione di correzione se l'errore riguardante i dati orari aumenta.
Ulteriori informazioni sulla impostazione della correzione dell'ora, si possono trovare nel manuale di programmazione $\alpha 2$.

11.6 Lo "?" appare sul display

Il segno "?" viene visualizzato se è stato premuto un tasto inaccettabile per i dati dello schermo, Confermare le opzioni accettabili e premere il tasto adeguato.



11.7 Non si può usare un tasto operativo

Controllare il movimento dei tasti di funzionamento secondo le procedure che seguono se il $\alpha 2$ serie non accetta un tasto di funzionamento. Se si possono eseguire le sequenze descritte in basso nelle istruzioni (1) - (5), i tasti funzionano correttamente. Per favore controllare se i tasti sono usati nel programma.

- 1) Mettere il controller nel modo stop. Consultare un rivenditore Mitsubishi se non si può attivare il modo stop.



Avvertenza

Eseguire il funzionamento di stop forzato solo dopo aver controllato esaurientemente che l'operazione sia cosa sicura. Se il funzionamento sollecitato ON/OFF viene eseguito scorrettamente, possono insorgere danni alla macchina o al controller o ad un dispositivo di sicurezza.

Se non si prendono le adeguate precauzioni, possono verificarsi danni all'apparecchiatura o si può avere un malfunzionamento della macchina.

Funzionamento di stop forzato

- a) Spegner l'alimentazione di corrente del $\alpha 2$.
- b) Riattivare la corrente (ON) mentre si preme contemporaneamente i tasti "OK" e "ESC".
Lo schermo sulla destra é visualizzato per 5 secondi.
L'opzione per mettere il controller nel modo stop sarà disponibile per circa cinque secondi. Premere il tasto "OK" per attivare il modo stop. Se non è premuto alcun tasto, il controller ritornerà nel modo "Run".
- c) Premere il tasto "ESC".
"Men princ" illustrato a destra é visualizzato.

```
Run
->Stop
```

ITL

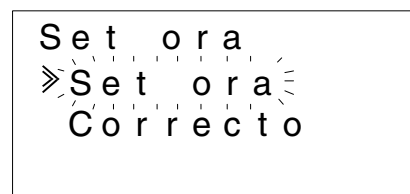
```
Menu princ
»Run
Setup TS
Modificare
```

- 2) Scorrere attraverso il Top Menu con tasto "▲" o "▼".
Consultare un rivenditore Mitsubishi, se non è possibile scorrere sullo schermo.
- 3) Spostare il cursore su "Set ora" con tasto "▲" o "▼" e premere due volte il tasto "OK"..
Lo schermo "Set ora" a destra é visualizzato.
Consultare un rivenditore Mitsubishi, se non é visualizzato.

```
Set ora
mm / dd / yyyy
09 / 06 / 2001
13 : 55 Gio
```

- 4) Provare a cambiare la data del mese/anno usando il tasto "◀", "▶", "+" e "-" key.
Consultare un rivenditore Mitsubishi se l'editing è impossibile.

- 5) Premere il tasto "ESC".
Lo schermo a destra è visualizzato e il funzionamento di (4) è reso nullo.
Consultare un rivenditore Mitsubishi se lo schermo corretto non è visualizzato.



11.8 Display LCD errato

Controllare i seguenti item.

- 1) Il carattere è visualizzato al contrario e l'intero schermo è nero.
Consultare un rivenditore Mitsubishi se si verifica l'errore suddetto. Il display del controller $\alpha 2$ è stato danneggiato.
- 2) Viene visualizzata una configurazione di display inattesa
Se il display non appare come lo si aspetta, controllare per favore i seguenti punti nel programma.
 - a) Mettere a punto la posizione dove inizia ogni funzione display. Due display separati possono avere una zona di visualizzazione sovrapposta che provoca il risultato indesiderato.
 - b) Il carattere manca al display
 - Controllare se la pin di input per il blocco di funzione display sia attivata.
 - Controllare se ci sia un conflitto con un altro display.

11.9 La cassetta di memoria funziona male

Controllare i seguenti punti se la cassetta di memoria non è riconosciuta o se le funzioni di trasferimento della cassetta non sono funzionanti.



Osservazioni sull'uso

- Usare la cassetta di memoria, il cavo di telecomunicazione o il coperchio del connettore mentre il controller $\alpha 2$ serie è alimentato con corrente.
Un'installazione scorretta dell'apparecchiatura può provocare danni al controller o scossa elettrica.
- 1) La cassetta di memoria deve essere installata correttamente, vedi paragrafo 6.1 per il procedimento corretto di installazione.
 - 2) È visualizzato il messaggio "Swprot. Error".
La protezione dei dati è impostata.
Vedi il manuale di programmazione $\alpha 2$ per il procedimento di sblocco di questa impostazione (setting).
 - 3) È visualizzato il messaggio "Password Error" (errore di parola codice).
La parola codice è impostata. Provare di nuovo dopo aver disabilitato la parola codice.
Vedi il manuale di programmazione $\alpha 2$ per il procedimento di disabilitazione della parola codice.
- L'opzione "Canc. prog." può cancellare la parola codice, il programma e tutte le impostazioni del Top Menu. Il controller tornerà alle impostazioni di fabbrica.
Vedi il manuale di programmazione $\alpha 2$ per il procedimento di uso del funzionamento "Canc. prog.".

11.10 Non si può comunicare con il modulo master dell'interfaccia AS

Controllare i seguenti punti.



Osservazioni sull'uso

- Usare il board di espansione o il coperchio del connettore mentre il controller $\alpha 2$ series è alimentato con corrente.
Un'installazione scorretta dell'apparecchiatura può provocare danni al controller o scossa elettrica.
- 1) Controllare se l'alimentazione di corrente dell'interfaccia AS è adeguata.
 - 2) Controllare che il bit di controllo N1 sia disattivato. usare uno dei due metodi in basso per cambiarne lo stato, se necessario.
 - a) Se non lo si usa nel programma
Sollecitare lo stato portandolo a off (disattivato), vedi il manuale di programmazione $\alpha 2$ per il procedimento di sollecitazione dello stato On/Off.
 - b) Se lo si usa nel programma
Cambiare il programma o manipolare gli input in modo che il bit di controllo N1 commuti su off (disattivato).
 - 3) Controllare che l'indirizzo slave sia corretto.
Setting dell'indirizzo slave dal modulo master dell'interfaccia AS.
Vedi il manuale al capitolo 9.4.1 ed il modulo master dell'interfaccia AS per il metodo di impostazione dell'indirizzo.
 - a) Un altro indirizzo slave e l'indirizzo AL2-ASI-BD si sovrappongono.
Impostare l'indirizzo in modo che non ci siano conflitti.
 - b) L'indirizzo slave è 0.
Impostare un indirizzo slave valido dal modulo master dell'interfaccia AS.
 - 4) AL2-ASI-BD non è uno slave attivo sul lato del modulo master.
Controllare l'impostazione del modulo master.
Vedi il manuale del modulo master dell'interfaccia AS per il metodo di conferma.

ITL

11.11 Non si può comunicare con AL-PCS/WIN-E.

Controllare i seguenti punti.

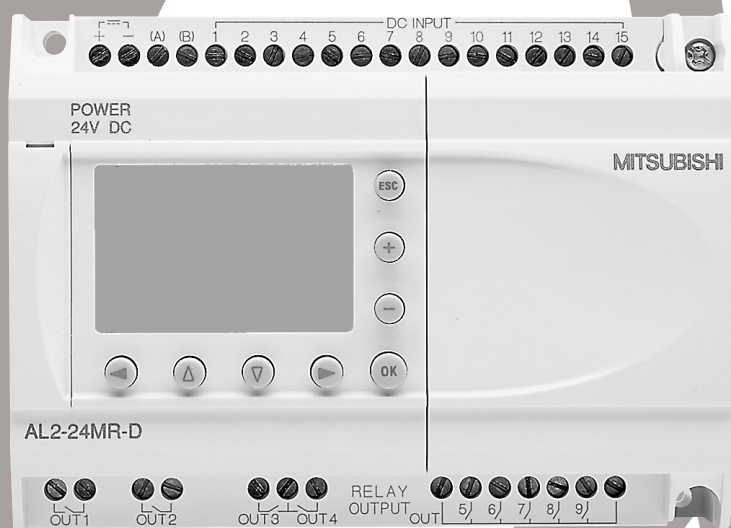


Osservazioni sull'uso

Usare la cassetta di memoria ed il cavo di comunicazione o il coperchio del connettore se installati senza errore.

Ciò provoca scossa elettrica e guasto.

- 1) Controllare collegamento del cavo (AL-232CAB).
Vedi il capitolo 7.2 sul metodo di collegamento.
- 2) Controllare la corrente alimentata al $\alpha 2$ series.
Vedi il capitolo 4 sul circuito per l'alimentazione di corrente.
Inoltre vedi il capitolo 2.2 sulla specifica dell'alimentazione di corrente.
- 3) Verificare se l'interfaccia COM usata sul PC , a cui è collegato il cavo di collegamento (AL-232CAB) , coincida con la regolazione della port di comunicazione nel software di programmazione. Se così non fosse, collegare il cavo alla relativa interfaccia COM del PC, o modificare la regolazione nel software di programmazione.
- 4) Se ha manutenzione remota con un modem.
 - a) Controllare se un setup del modem sul lato del $\alpha 2$ series é corretto.
Vedi il manuale di programmazione (2 ed il capitolo 7.3 per l'impostazione del modem collegato al lato del $\alpha 2$ series.
 - b) Controllare il collegamento del cavo fatto dal cliente.
Per il collegamento del cavo, vedi il capitolo 7.3.2.
 - c) Controllare l'impostazione del modem sul lato del software di programmazione.
Controllare se il dischetto per un setup dell'allacciamento del sia installato correttamente.



ESP

Sistema α2

Manual de Hardware

Prólogo

- Este manual contiene textos, ilustraciones y aclaraciones para asegurar una correcta instalación y manejo de los sistemas $\alpha 2$ y deberá leerse antes de proceder a su instalación o manejo. Es imprescindible entender el contenido de este manual.
- En caso de duda durante la instalación, deberá consultar a un electricista cualificado que conozca las normas electrotécnicas locales y nacionales. Si se presenta algún problema durante el manejo o uso del sistema $\alpha 2$, póngase en contacto con el concesionario de MITSUBISHI ELECTRIC más cercano.
- Nos reservamos el derecho de efectuar cualquier modificación o cambio en este manual, en cualquier momento y sin previo aviso.

Sistema α 2

Manual de hardware

ESP

Número:	JY992D97301
Revisión:	B
Fecha:	06/2002

CONTÉSTENOS POR FAX

Mitsubishi tiene una reputación en todo el mundo por sus esfuerzos en el desarrollo continuo y el alejamiento de los límites en la automatización industrial. Muchas veces, el usuario no se da cuenta del cuidado y la atención al detalle que se le da en la documentación. No obstante, los comentarios de los usuarios de equipos Mitsubishi siempre son bienvenidos. Esta página fue diseñada para que usted, el lector la llene con sus comentarios y la envíe de vuelta a nosotros. Esperamos escuchar de usted.

Números de fax:	Su nombre
Mitsubishi Electric....
EUA (01) 847-478-2253	Su empresa
Australia (02) 638-7072
Alemania (0 21 02) 4 86-11 20	Su ciudad:.....
España (0 34) 93 589-1579
Reino Unido (01707) 278-695	

Marque el casillero de su preferencia

¿En qué condición recibió el manual? Buena Con daños leves Inutilizable

¿Usará una carpeta para guardar el manual? Si No

¿Cómo encuentra la presentación del manual? Metódica Poco amigable

¿Son comprensibles las explicaciones? Si Regularmente Inutilizable

¿Cuál de las explicaciones fue más difícil de entender?:

.....

¿Existen diagramas que no son claros? Si No

Si fuese así, ¿cuáles?:

.....

¿Cómo encuentra la composición del manual? Buena Regular Inútil

¿Qué le gustaría que se mejorara?

.....

.....

¿Pudo encontrar fácilmente la información que buscaba usando el índice o la tabla de contenido? Si es posible, cuéntenos su experiencia:

.....

.....

.....

.....

.....

.....

¿Tiene algún comentario general sobre los manuales de Mitsubishi?

.....

.....

.....

Muchas gracias por haberse tomado el tiempo para llenar este cuestionario. Esperamos que encuentre fácil el uso tanto del producto como del manual.

ESP

Instrucciones de seguridad para el usuario y medidas de protección para las unidades

Este manual proporciona informaciones para el uso de los controladores de la serie $\alpha 2$. El manual ha sido elaborado para un empleo por personal competente y capacitado. Al respecto, se establece la siguiente definición en cuanto a la calificación de los operadores:

- a) Todo técnico, encargado de la planificación, proyección y construcción de instalaciones de la técnica de automatización en función del producto deberá disponer de conocimientos satisfactorios sobre el tema. Además, la formación y calificación deberá abarcar también el campo de las disposiciones competentes locales y nacionales. El técnico deberá disponer también de plenos conocimientos sobre todos los aspectos relacionados con la seguridad en el sector de técnica de automatización.
- b) Todo técnico encargado de la puesta en servicio o del servicio postventa tiene que conocer las disposiciones locales y nacionales relacionadas con la ejecución correcta y segura de las operaciones. El técnico también tiene que haber sido formado en el manejo y mantenimiento de las unidades de producción. Esto encuentra aplicación para toda la familia de productos con todas las respectivas documentaciones. Todas las unidades de mantenimiento se deberán realizar siempre de acuerdo con los aspectos de seguridad corrientes.
- c) Todo operario de la unidad deberá disponer de la formación correspondiente que permita un manejo seguro de la unidad. Asimismo se deberán observar en todo momento los aspectos de seguridad corrientes. El operario se deberá familiarizar también con el contenido de la documentación de las otras unidades de la instalación.

Nota: Bajo la expresión “Las otras unidades de la instalación” se entienden todas las demás unidades de la instalación de automatización, que están relacionadas con el roducto y con las respectivas informaciones en el manual.

Observaciones sobre los símbolos empleados en este manual

En este manual se emplean diversos símbolos que permiten resaltar informaciones determinadas. Con ello, se le ofrece a los operarios las indicaciones correspondientes sobre las medidas de seguridad y de protección. Cada vez que se presente un símbolo, se tiene que leer la indicación pertinente, teniéndose que entender la información obtenida. A continuación se expone una relación de todos los símbolos con una breve descripción de su significado.

ESP

Indicaciones de aviso del Hardware



- 1) Indica un peligro inminente, que puede conducir a daños personales o materiales.



- 2) Indica la posibilidad de un peligro, que puede conducir a daños personales o materiales.



- 3) Indica un punto con indicaciones o aclaraciones adicionales.

Indicaciones de aviso del Software



- 4) Señala una indicación explícita de advertencia, que tiene que ser observada en todo caso durante la programación.



- 5) Señala una indicación especial, que deberá ser observada por el usuario junto con el servicio de la unidad.



- 6) Señala un punto con indicaciones o aclaraciones adicionales.

- La MITSUBISHI ELECTRIC no asumirá responsabilidad alguna por los daños que se produzcan a causa de una instalación inadecuada o de un servicio inapropiado de las unidades o de los accesorios.
- Todos los ejemplos e ilustraciones incluidos en este manual sirven exclusivamente para facilitar el entendimiento del texto. No se puede asumir responsabilidad alguna en cuanto a la exactitud de las operaciones de manejo expuestas. La MITSUBISHI ELECTRIC no asumirá ninguna responsabilidad en el caso de un empleo del producto, que se refiera a los ejemplos expuestos en este manual.
- Debido a la gran variedad de posibilidades de aplicación de este equipo, el usuario mismo deberá realizar la adaptación para su caso de aplicación específico.

Otros listados de manuales de información

	Nombre del manual	N° del manual.	Descripción
<input checked="" type="radio"/>	Manual de Hardware $\alpha 2$ (Este manual)	JY992D97301	Este manual contiene explicaciones sobre el hardware para el cableado, la instalación y las especificaciones para los controladores de la serie $\alpha 2$.
<input checked="" type="radio"/>	Manual de programación $\alpha 2$ <Sólo en inglés>	JY992D97101	Este manual contiene las explicaciones de instrucción para los controladores de la serie $\alpha 2$.
<input type="radio"/>	Manual del software α <Sólo en inglés>	JY992D74001	Este manual contiene las explicaciones sobre la operación del software de programación AL-PCS/WIN-E.
<input type="radio"/>	Manual del usuario para la comunicación de los equipos de la serie $\alpha 2$ <Sólo en inglés>	JY992D97701	Este manual contiene las explicaciones para la configuración, los mensajes, diagnósticos, la asignación de bits, etc. de hardware para las comunicaciones que usan los controladores de la serie $\alpha 2$.
<input type="checkbox"/>	Manual de Instalación serie $\alpha 2$	JY992D97502	Este manual contiene las explicaciones sobre el hardware para la instalación de los controladores de la serie $\alpha 2$.
<input type="checkbox"/>	Manual de Instalación AL2-4EX, AL2-4EX-A2, AL2-4EYR, AL2-4EYT	JY992D97402	Este manual contiene las explicaciones sobre el hardware para la instalación de los módulos de extensión AL2-4EX, AL2-4EX-A2, AL2-4EYR y AL2-4EYT.
<input type="checkbox"/>	Manual de hardware AL2-EEPROM-2	JY992D96801	Este manual contiene las explicaciones sobre el hardware para la instalación de AL2-EEPROM-2.
<input type="checkbox"/>	Manual de hardware AL-232CAB	JY992D76002	Este manual contiene las explicaciones sobre el hardware para la instalación de AL-232CAB.
<input type="checkbox"/>	Manual de hardware AL2-GSM-CAB	JY992D97202	Este manual contiene las explicaciones sobre el hardware para la instalación de AL2-GSM-CAB.
<input type="checkbox"/>	Manual de hardware AL-ASI-BD, AL2-ASI-BD	JY992D81402	Este manual contiene las explicaciones sobre el cableado, la instalación y las especificaciones, etc. de hardware para AL-ASI-BD y AL2-ASI-BD.

Refiérase a estos manuales.

Refiérase a este manual si fuese necesario.

Refiérase al contenido de estos manuales si fuese necesario, aunque esté incluido en el Manual de hardware $\alpha 2$.

Contenido

Instrucciones de Seguridad.....	ESP-v
1. Introducción.....	ESP-1
1.1 Las características especiales del sistema $\alpha 2$ son;.....	ESP-2
1.2 Modelos disponibles.....	ESP-3
1.3 Dimensiones y denominación de las partes.....	ESP-4
1.4 Configuración del sistema.....	ESP-5
1.5 Software de programación aplicable.....	ESP-5
2. Epecificaciones.....	ESP-7
2.1 Especificación de carácter general.....	ESP-7
2.2 Entradas.....	ESP-8
2.3 Salidas.....	ESP-10
2.4 Especificación general.....	ESP-11
3. Instalación.....	ESP-13
3.1 Observaciones sobre el emplazamiento.....	ESP-13
3.2 CARRIL DIN Montaje de la unidad principal.....	ESP-14
3.2.1 Instalación.....	ESP-14
3.2.2 Desmontaje.....	ESP-14
3.3 Montaje directo de la unidad principal.....	ESP-15
3.4 Instalación del módulo de extensión.....	ESP-16
4. Alambrado.....	ESP-17
4.1 Notas sobre los alambres de instalación.....	ESP-17
4.2 Tamaño de cable.....	ESP-18
4.3 Alimentación de tensión.....	ESP-19
4.4 Cableado de la alimentación CA y la entrada.....	ESP-20
4.4.1 Cableado de la alimentación CA y la entrada.....	ESP-20
4.4.2 Cableado de la entrada AL2-4EX-A2.....	ESP-20
4.5 Cableado de la alimentación CC y la entrada.....	ESP-21
4.5.1 Esquema de cableado de la alimentación CC y fuente de poder (terminal "+").....	ESP-21
4.5.2 Esquema de conexión de entrada de la fuente de poder AL2-4EX (terminal "+").....	ESP-21
4.5.3 Esquema de conexión de entrada de alimentación CC y drenaje (terminal "-").....	ESP-22
4.5.4 Esquema de conexión de entrada de drenaje AL2-4EX (terminal "-").....	ESP-22
4.6 Cableado las salidas de relé y de transistor.....	ESP-23
4.6.1 Esquema de conexión de salida de relé de la unidad principal (CA y/o CC).....	ESP-23
4.6.2 Esquema de conexión de salida de relé AL2-4EYR (CA y/o CC).....	ESP-24
4.6.3 Salida de transistor (Fuente de poder o sólo terminal "+") AL2-4EYT.....	ESP-25
5. Ocupaciones de bornes.....	ESP-27
6. AL2-EEPROM-2.....	ESP-29
6.1 Installation.....	ESP-30

7. AL-232CAB	ESP-31
7.1 Introducción	ESP-31
7.1.1 Dimensiones externas	ESP-31
7.2 Conectado con un cable AL-232CAB	ESP-32
8. AL2-GSM-CAB	ESP-35
8.1 Introducción	ESP-35
8.1.1 Dimensiones externas	ESP-35
8.1.2 Configuración del sistema usando AL2-GSM-CAB	ESP-36
8.2 Instalación	ESP-37
8.3 Mantenimiento a distancia mediante un módem	ESP-39
8.3.1 Módems recomendados	ESP-39
8.3.2 Cable directo RS-232C entre el módem y AL2-GSM-CAB	ESP-39
8.3.3 Programación del módem	ESP-40
9. AL2-ASI-BD	ESP-43
9.1 INTRODUCCIÓN	ESP-43
9.1.1 Dimensiones externas	ESP-43
9.1.2 Configuración del sistema	ESP-44
9.2 ESPECIFICACIONES	ESP-44
9.3 CONEXIONADO E INSTALACIÓN	ESP-45
9.3.1 Instalación	ESP-45
9.3.2 Alambrado	ESP-46
9.4 Asignación de Direcciones al Esclavo y Diagnóstico	ESP-46
9.4.1 Asignación de Direcciones al Esclavo	ESP-46
9.4.2 Comprobaciones a Realizar en Caso de Error	ESP-46
10. Listas de teclas, bits de sistema y bloques de función	ESP-47
10.1 Listas de teclas	ESP-47
10.2 Listas de bits de sistema	ESP-48
10.2.1 Listas de bit de sistema	ESP-48
10.2.2 Lista de bit de control	ESP-49
10.3 Listas de bloque de función	ESP-50
11. Diagnósticos	ESP-53
11.1 Error de estado de entrada	ESP-54
11.2 Error de estado de salida	ESP-54
11.3 El MENÚ PRINCIPAL no se visualiza	ESP-55
11.4 No se puede ingresar al modo Funcionamiento	ESP-56
11.5 Datos del reloj incorrectos	ESP-56
11.6 En el visualizador aparece "?"	ESP-56
11.7 No se puede usar una tecla de operación	ESP-57
11.8 Visualizador de cristal líquido incorrecto	ESP-58
11.9 La casete de memoria no funciona correctamente	ESP-58
11.10 No se puede comunicar con el módulo maestro de la interfaz AS	ESP-60
11.11 No se puede comunicar con AL-PCS/WIN-E	ESP-61

1. Introducción

La serie $\alpha 2$ puede usarse fácilmente en todos los lugares donde se necesita el control en el hogar, la oficina o la fábrica. Las salidas del controlador operan en secuencia ON/OFF (conectado/desconectado) para controlar equipos eléctricos por el programa de bloque de función.

En el Manual de programación $\alpha 2$ se puede encontrar la explicación de las instrucciones y la operación de la unidad principal. Una explicación sobre el software de programación AL-PCS/WIN-E se puede encontrar en el Manual de software de la serie $\alpha 2$.

Aplicaciones

La serie $\alpha 2$ fue diseñada para el uso en aplicaciones automáticas que incluyen las mencionadas a continuación.

- Automatización de luces, aire acondicionado o sistemas de riego
- Abertura y cierre de portones
- Sistemas de seguridad simples
- Sistemas de distribución de alimentación para animales domésticos o mascotas
- Control de corrales de ganado e invernaderos

No obstante, la serie $\alpha 2$ no fue diseñada para su uso en las siguientes aplicaciones. Le rogamos ponerse en contacto con un distribuidor de Mitsubishi para obtener más informaciones.

- Aplicaciones donde se requiere una alta confiabilidad, tales como control de energía nuclear, servicios de ferrocarriles, servicios de líneas aéreas, vehículos, equipamiento de combustión y equipamiento médico.
- Aplicaciones en situaciones críticas para la vida.

1.1 Las características especiales del sistema $\alpha 2$ son;

- 1) Visualización de los datos de mensaje y del bloque de función
La serie $\alpha 2$ puede visualizar el estado de operación y alarma como un mensaje en el visualizador de cristal líquido. Puede visualizar los siguientes contenidos mediante el uso de visualización del bloque de función. En el modo RUN (funcionamiento) puede modificarse el valor de los temporizadores y contadores visualizados.
 - Cantidad total de caracteres en la visualización de cristal líquido (LCD): 12 caracteres x 4 líneas
 - Items de la visualización: Mensaje, valor (actual o programado) del temporizador y contador, valores análogos, etc.
- 2) La programación en el computador personal es rápido y fácil
Con el software de programación AL-PCS/WIN-E para Windows se pueden crear y guardar programas. Se puede llevar a cabo la programación usando un modo gráfico donde se usan líneas para conectar los bloques de función en la pantalla de programación. También está disponible la programación directa usando las teclas del panel frontal del controlador $\alpha 2$.
- 3) Imagen LCD enviado vía módem GSM
El $\alpha 2$ series è in grado di mandare l'immagine LCD come E-mail. usando un modem a GSM . Mediante el correo electrónico, la serie $\alpha 2$ es capaz de enviar la imagen LCD vía módem GSM. El usuario puede monitorear el estado de la aplicación a través del acceso al mensaje de diagnóstico enviado por correo electrónico vía módem GSM.
- 4) Soporta enlace de computadores mediante protocolo dedicado
La serie $\alpha 2$ soporta enlaces de computadores (protocolo dedicado). Mediante el enlace de computadores (protocolo dedicado), el software de aplicación específica del usuario puede modificar los datos de programa, los parámetros dentro de los bloques de función, así como proporcionar el monitoreo de condición de la aplicación.
- 5) Perfeccionamiento de función del reloj
La función del reloj semanal y del reloj de calendario tiene muchos interruptores que se pueden programar y que proporcionan poderosas capacidades de control dependiente del tiempo.
- 6) Entrada análoga, 0 - 10V/0 - 500:
La entrada CD para la serie $\alpha 2$ puede aceptar señales de 0 - 10V con una resolución de 0 - 500.
- 7) Contador de alta velocidad, Máx. 1kHz
La serie $\alpha 2$ tiene contadores de alta velocidad (máx. 2 puntos) al usar AL2-4EX (EI1, EI2).
- 8) Capacidad de salida de corriente alta

Tabla 1.1: Capacidad de salida de corriente alta

Output Type		Capacidad
RELÉ	AL2-14MR-*: O01 - 06 AL2-24MR-*: O01 - 04	8A/común
	AL2-24MR-*: O05 - 09 AL2-4EYR: EO1 - EO4	2A/punto (4A/común)
TRANSISTOR	AL2-4EYT: EO1 - EO4	1A/punto

9) EEPROM integrada

La EEPROM integrada elimina la necesidad de datos respaldados por batería.

10) Soporte en 6 idiomas:

La serie $\alpha 2$ soporta 6 idiomas (inglés, alemán, francés, italiano, español y sueco). El idioma del visualizador se puede seleccionar en el MENÚ PRINCIPAL.

1.2 Modelos disponibles

Tabla 1.2: Unidad Principal

Modelo	Alimentación de tensión	Entradas		Salidas		Dimensiones mm	Peso kg
		Tipo	Points	Tipo	Points		
AL2-14MR-A	100 - 240V CA ~	100 - 240V CA~	8	RELÉ	6	124,6 x 90 x 52	0,30 ^{*1}
AL2-14MR-D	24V CC	24V CC Sink/Source	8	RELÉ	6		
AL2-24MR-A	100 - 240V CA ~	100 - 240V CA~	15	RELÉ	9		0,35 ^{*1}
AL2-24MR-D	24V CC	24V CC Sink/Source	15	RELÉ	9		0,30 ^{*1}

*1 Sin módulos de función especial

Tabla 1.3: Módulo de Extensión

Modelo	Entradas		Salidas		Peso kg
	Tipo	Points	Tipo	Points	
AL2-4EX-A2	220 - 240V CA~	4	—		0,05
AL2-4EX	24V CC, Sink/Source	4	—		
AL2-4EYR	—	—	RELÉ	4	
AL2-4EYT	—	—	TRANSISTOR	4	

ESP

1.3 Dimensiones y denominación de las partes

Figura 1.1: Denominación de las partes

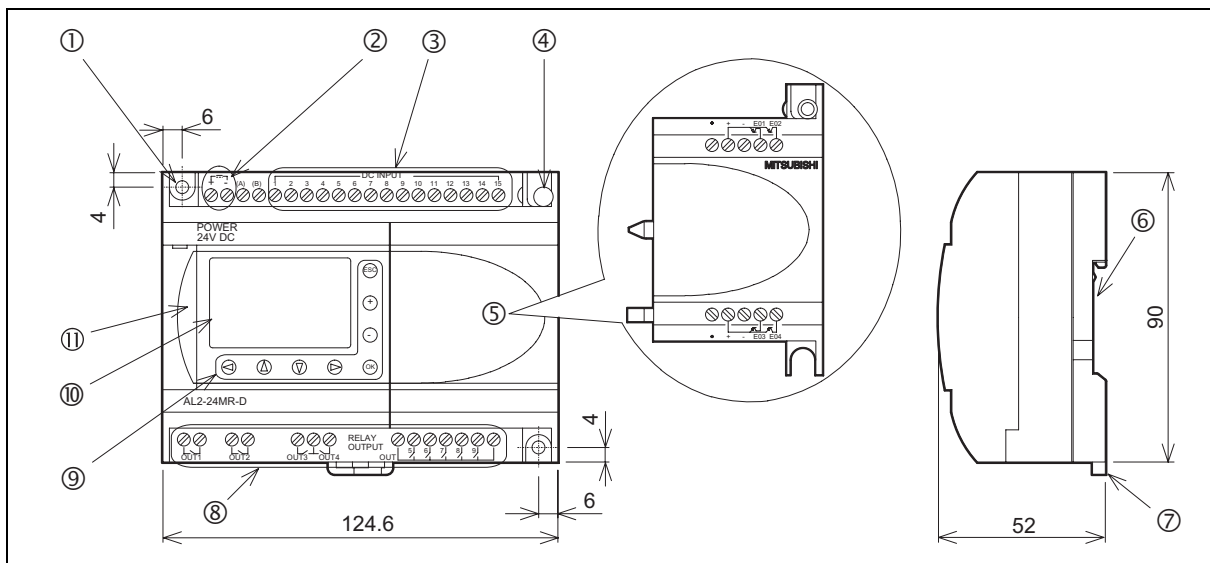


Tabla 1.4: Denominación de las partes

No.	Descripción
1	Orificio de montaje, Dia. 4,2 mm
2	Bornes de tensión
3	Bornes de entrada
4	Tornillo de montaje para la cubierta de extensión o el módulo de extensión
5	Cubierta de extensión o módulo de extensión
6	Ranura de montaje para carril DIN (ancho del riel DIN 35 mm <DIN EN 50022>)
7	DIN-RAIL Grapas de montaje
8	Bornes de salida
9	Teclado de operación
10	Visualizador de cristal líquido
11	Cubierta del puerto de programación

1.4 Configuración del sistema

Figura 1.2: Configuración del sistema

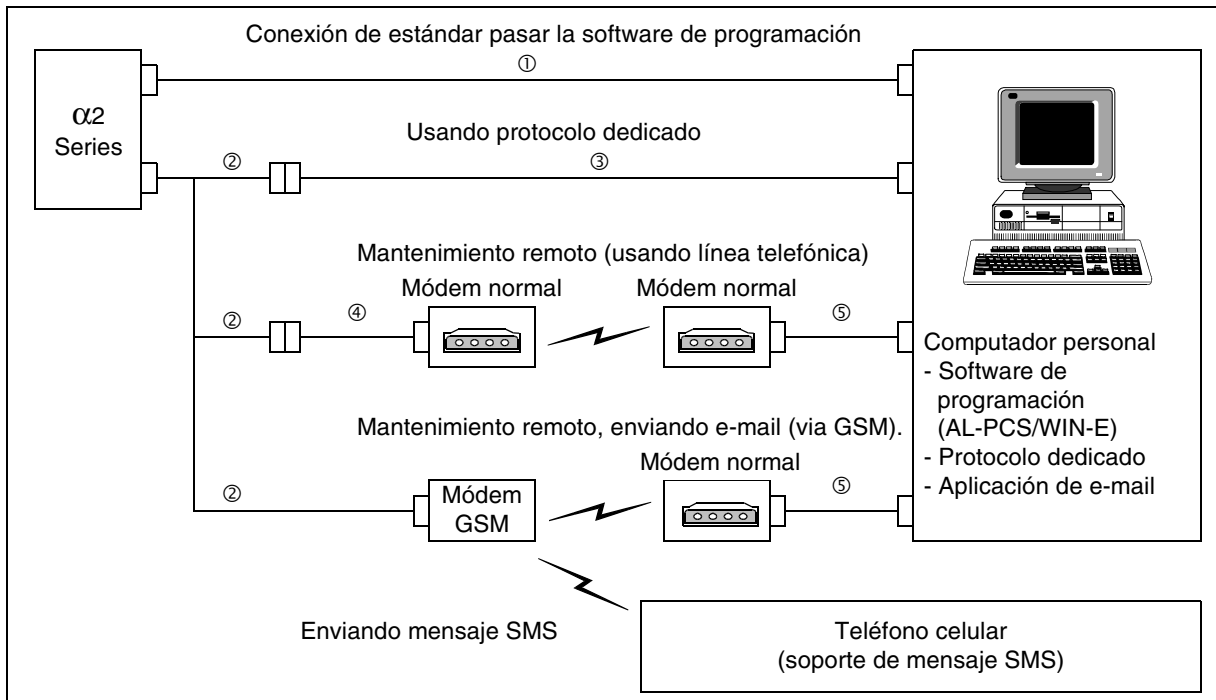


Tabla 1.5: Configuración del sistema

Item	Cable utilizado
1	AL-232CAB
2	AL2-GSM-CAB
3	RS-232C cable transversal *1
4	RS-232C cable directo para el módem *1
5	RS-232C cable directo para el módem (especificado por el fabricante del módem)

*1 En el capítulo 8 se puede encontrar información adicional.

1.5 Software de programación aplicable

La serie $\alpha 2$ es soportada por el software de programación (AL-PCS/WIN-E) V2.00 ó superior. Las versiones anteriores a V2.00 no pueden comunicarse con la serie $\alpha 2$.

ESP

MEMO

2. Epecificaciones

2.1 Especificación de carácter general

Tabla 2.1: Especificación de carácter general

Descripción	Modelo	Especificación
Alimentación de tensión	AL2-***-A	100 - 240V CA~, +10% -15%, 50 / 60 Hz
	AL2-***-D	24V CC, +20% -15%
Tiempo máximo admisible de fallo de tensión	AL2-***-A	10ms
	AL2-***-D	5ms
Corriente de irrupción	AL2-***-A, 240V AC~ (120V CA~)	$\leq 6,5$ A (3,5 A)
	AL2-***-D, 24V CC	$\leq 7,0$ A
Consumo eléctrico máximo.	AL2-14MR-A, 264V CA~	5,5 W
	AL2-14MR-D, 28.8V CC	7,5 W
	AL2-24MR-A, 264V CA~	7,0 W
	AL2-24MR-D, 28.8V CC	9,0 W
Consumo eléctrico típico (sin módulos de función especial)	AL2-14MR-A, 240V CA~	E/S „1“ - 4,5 W, E/S „0“ - 2,0W
	AL2-14MR-A, 120V CA~	E/S „1“ - 3,5 W, E/S „0“ - 1,5 W
	AL2-14MR-D, 24V CC	E/S „1“ - 4,0 W, E/S „0“ - 1,0 W
	AL2-24MR-A, 240V CA~	E/S „1“ - 5,5 W, E/S „0“ - 2,5 W
	AL2-24MR-A, 120V CA~	E/S „1“ - 4,5 W, E/S „0“ - 2,0 W
	AL2-24MR-D, 24V CC	E/S „1“ - 5,0 W, E/S „0“ - 1,0 W

2.2 Entradas

Tabla 2.2: Datos técnicos de las entradas para CA

Descripción	Especificación		
	Unidad Principal		AL2-4EX-A2
	I01 - I08	I09 - I15	EI1 - EI4
Tensión de entrada	100 - 240V CA~, +10% -15%, 50/60 Hz		220 - 240V CA~, +10% -15%, 50/60 Hz
Impedancia de entrada	0,13mA / 120V CA~*1 0,25mA / 240V CA~*1	0,15mA / 120V CA~*1 0,29mA / 240V CA~*1	7,5mA / 240V CA~ 50Hz 9,0mA / 240V CA~ 60Hz
Corriente de entrada	$\geq 800 \text{ k}\Omega$		32k Ω (50Hz) 27k Ω (60Hz)
Señal 0 -> Señal 1 / Señal 1 -> Señal 0	$\geq 80V / \leq 40V$		$\geq 160V / \leq 40V$
Tiempo de reacción	OFF \rightarrow ON	35-85ms / 120V CA~ 25-55ms / 240V CA~	15 - 40ms / 240V CA~
	ON \rightarrow OFF	35-85ms / 120V CA~ 50-130ms / 240V CA~	
Circuito de aislamiento	No		Optocoplador
Indicador de funcionamiento	Visualizador de cristal líquido		

*1 La fuga de corriente que procede de los sensores conectados a las entradas puede suministrar corriente suficiente para conectar el controlador. No utilizará dos sensores de cable.

Tabla 2.3: Especificaciones de entrada

Description		Sink ("-" Common)	Source ("+" Common)
Tensión de entrada		24V CC +20% -15%	24V CC +20% -15%
Corriente de entrada	Unidad Principal	I01 - I08	6,0mA, 24V CC
		I09 - I15	5,5mA, 24V CC
	AL2-4EX	EI1 - EI4	5,4mA, 24V CC
Señal 0 -> Señal 1 / Señal 1 -> Señal 0	Unidad Principal	I01 - I15	Corriente: $\geq 4,7\text{mA} / \leq 1,1\text{mA}$ Tensión: $\leq 4V / \geq 18V$
	AL2-4EX	EI1 - EI4	Tensión: $\geq 18V / \leq 4V$ Voltaje: $\geq 18V / \leq 4V$
Tiempo de reacción	Unidad Principal		10 - 20ms
	AL2-4EX*1		10 - 20ms
Circuito de aislamiento	Unidad Principal		No
	AL2-4EX		Optocoplador
Indicador de funcionamiento		Visualizador de cristal líquido	

*1 EI1 y EI2 en el AL2-4EX pueden usarse para las entradas del contador de alta velocidad. Así, el tiempo de respuesta para las entradas del contador de alta velocidad es de 0,5 ms o menos.

**Tabla 2.4: Datos técnicos de las entradas para análogo
(Sólo la unidad del tipo AL2-***-D)**

Descripción	Especificación
Número de entrada análoga	8 (I01 - I08)
Promedio de entrada análogo	0 - 500
Resolución	9 bit, 20mV (10000/ 500mv)
Velocidad de conversión	8ms
Tensión de entrada	0 - 10V CC
Impedancia de entrada	142 k Ω \pm 5%
Exactitud general	\pm 5% (0.5V CC)
Desviación/Ganancia	Valor desviación = 0 at 0V CC Valor ganancia: 0 - 10V = 0 - 500 Estos valores por defecto se pueden cambiar en Desviación FB
Deriva térmica	\pm 3 LSB

2.3 Salidas

Tabla 2.5: Datos técnico de las salidas de relé

Descripción		Relé Especificación
Tensiones de conexión		250V CA~ o menos, 30V CC o menos
Carga resistiva máxima	AL2-14MR-* (O01 - O06)	8A/común
	AL2-24MR-* (O01 - O04)	
	AL2-24MR-* (O05 - O09)	2A/punto (4A/común)
	AL2-4EYR (EO1 - EO4)	1A/punto
Ciclo de vida del contacto / Carga resistencia	AL2-14MR-* (O01 - O06)	100000 ciclos 8 A / 240V CA~ o 24V CC
	AL2-24MR-* (O01 - O04)	
	AL2-24MR-* (O05 - O09)	100000 ciclos 2 A / 240V CA~ o 24V CC
	AL2-4EYR (EO1 - EO4)	
Carga mínima		50mW (10mA a 5V CC)
Carga inductiva máxima	AL2-14MR-* (O01 - O06)	249 VA (1/3 hp) / 125V CA~, 373 VA (1/2 hp) / 250V CA~
	AL2-24MR-* (O01 - O04)	
	AL2-24MR-* (O05 - O09)	93 VA (1/8 hp) / 125V CA~, 93 VA (1/8 hp) / 250V CA~
	AL2-4EYR (EO1 - EO4)	
Tiempo de reacción		≤ 10ms
Indicador de funcionamiento		Visualizador de cristal líquido
Resistencia de aislamiento		para relé

Tabla 2.6: Especificaciones de la salida de transistor (Sólo modelo con fuente) de AL2-4EYT

Descripción	Transistor Especificación
Tensiones de conexión	5 - 24V CC (+20%, -5%)
Carga resistiva máxima	1A / point (8 - 24V CC), 0.1A / point (5 - 8V CC)
Carga mínima	1,0mA
Carga inductiva máxima	1A / 24V CC (24 W)
Tiempo de reacción 1 -> 0 / 0 -> 1	≤ 1 ms
Corriente de fuga	≤ 0,1mA / 24V CC
Indicador de funcionamiento	Visualizador de cristal líquido
Visualizador de cristal líquido	No

2.4 Especificación general

Tabla 2.7: Especificaciones de entorno y eléctricas

Descripción	Especificación
Método de programación	Bloque de función
Capacidad del programa	200 Bloques de función o 5000 bytes
Método de almacenamiento en el programa	EEPROM integrado (no se requiere sustituto de batería) o casete opcional EEPROM
Dispositivo de copia de seguridad	20 días 25°C / 77°F (por condensador)
Copia de seguridad usando el reloj de tiempo real (RTR)	20 días 25°C / 77°F (por condensador)
Precisión RTR	5 s / day (25°C / 77°F)
Temperatura de servicio	Hardware del controlador: (-25) - 55°C / (-13) - 101°F Visualizador del controlador: (-10) - 55°C / 14 - 101°F
Temperatura de almacenamiento	(-30) - 70 °C / (-22) - 158°F
Resistencia a las vibraciones Montaje directo	conforme con IEC 68-2-6; 10-57 Hz: 0,15 mm amplitud constante 57-150 Hz: 19,6 m/s ² Acceleración Conteo de barrido para X,Y,Z: 10 veces (80 min. en cada dirección)
Resistencia a las vibraciones Montaje en raíl DIN	conforme con IEC 68-2-6; 10-57 Hz: 0,075 mm amplitud constante 57-150 Hz: 9,8 m/s ² Acceleración Conteo de barrido para X,Y,Z: 10 veces (80 min. en cada dirección)
Resistencia al choque	conforme con IEC 68-2-27:147m/s ² Acceleración, Tiempo de acción: 11 ms 3 veces en cada dirección X,Y y Z
Inmunidad al ruido	1000Vpp, 1 microsegundo, 30 - 100 Hz, probado por simulador de ruidos
Humedad	Humedad relativa 35-85%, sin condensación
Resistencia a tensiones eléctricas	3750V CA > 1 min por IEC60730-1 entre los siguientes puntos: Terminales de entrada de potencia y terminales de salida de relé Terminal de salida de relé y terminal de salida de relé Todos los terminales y la caja de control DIN 43880 ó sus equivalentes
Resistencia de aislamiento	7 MOhmios a 500V DC por IEC60730-1 entre los siguientes puntos: Terminales de potencia /entrada y terminales de salida de relé Terminal de salida de relé y terminal de salida de relé Todos los terminales y la caja de control DIN 43880 ó sus equivalentes
Tipo de acción	IEC 60730-1, sección 6.4.3 - tipo 1C (Sortidas de relé)
Tipo de acción	IEC 60730-1, sección 6.4.3 - tipo 1Y (Sortidas de transistor)
Clase de software	IEC 60730-1, sección H6.18 - clase A
Propósito del control	IEC 60730-1, sección 2.2 - Control eléctrico
Construcción del control	IEC 60730-1, sección 6.15 - Control incorporado
El control es eléctrico	IEC 60730-1, sección H2.5.7 - Control electrónico
Clase de seguridad	II
Grado de contaminación	2

ESP

Tabla 2.7: Especificaciones de entorno y eléctricas

Descripción	Especificación
Conexión a tierra	Non
Aislamiento eléctrico	Aislamiento reforzado primario /secundario
Entorno operacional	Libre de gases corrosivos. Mínima cantidad de polvo.
Protección	IP 20
Temperatura para la prueba de presión de bola	75°C (167°F)
Directriz CE	EMC, LVD
Certificaciones	UL/cUL
Declaration de conformidad	TÜV
Se corresponde con	UL 508*1 IEC60730-1*1 EN61010-1 EN50081-1*1 EN50082-1 EN61000-6-2
Indicador de funcionamiento	Visualiza 4 líneas de diez caracteres cada una, modo Ejecución programa On/Off, protección de contraseña, tabla de imágenes y bloques de función durante la programación.

*1 AL2-ASI-BD no cumple con estas normas.

3. Instalación

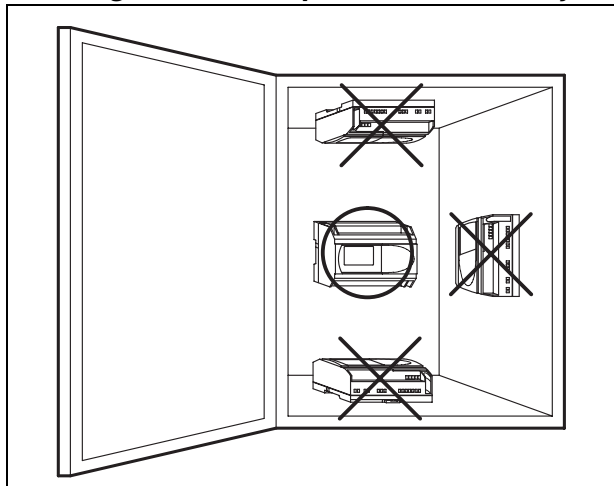
3.1 Observaciones sobre el emplazamiento



El diseño seguro de la serie $\alpha 2$ significa que el usuario puede instalar el equipo casi en cualquier parte, pero es necesario que tome los siguientes puntos en consideración.

- No lo instale en zonas con polvo excesivo o conductor, corrosivos o gas inflamable, humedad o lluvia, calor excesivo, impactos usuales o vibración excesiva. No lo coloque en agua ni deje que ésta penetre en el controlador.
- No deje que caigan restos dentro de la unidad al hacer la instalación.
- Mantenerse lo más lejos posible de los cables de alto voltaje y del equipo de poder.
- El $\alpha 2$ debe instalarse en gabinetes que estén diseñados para el conjunto de dispositivos, que cumplen con DIN 43880, o en una caja de control.

Figura 3.1: Disposición de montaje



- Usar tornillos de medida M4 cuando se monte, usando los agujeros para tornillos.
- Los conectores deben estar recubiertos para prevenir algún daño por contacto con los alambres "energizados".
- Dejar un mínimo de 10 mm de espacio para ventilación entre los bordes superior e inferior del $\alpha 2$ y las paredes circundantes.
- No desmonte el controlador $\alpha 2$.



Nota

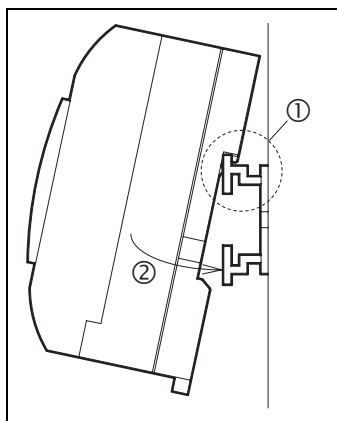
- Refiérase al capítulo 6 al instalar o retirar el AL2-EEPROM-2.
- Refiérase al capítulo 7 al instalar o retirar el AL-232CAB.
- Refiérase al capítulo 8 al instalar o retirar el AL2-GSM-CAB.

3.2 CARRIL DIN Montaje de la unidad principal

Las unidades se pueden montar mediante un “enclavamiento” sobre un carril de montaje DIN 35 mm (DIN EN 50022). Para el desmontaje de la unidad, levantar la fijación rápida con un destornillador y retirar la unidad del carril.

3.2.1 Instalación

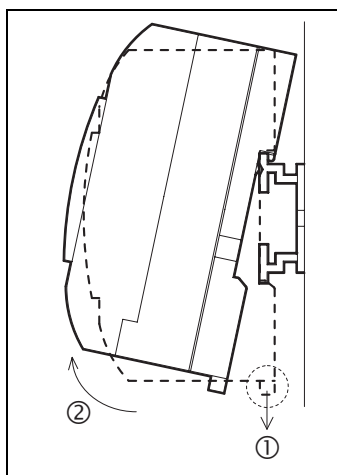
Figura 3.2: Instalación



Alinee la parte superior de la ranura para el montaje del carril DIN de $\alpha 2$ con el carril DIN (①) y presiónela contra el carril (②).

3.2.2 Desmontaje

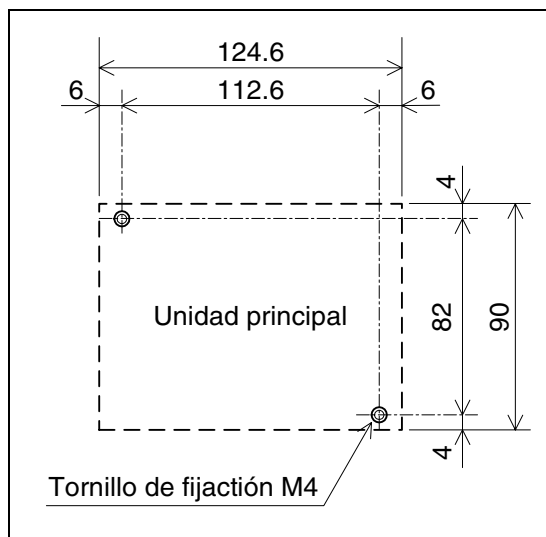
Figura 3.3: Desmontaje



Tire del gancho del carril DIN (①) y desmonte la unidad principal de la serie $\alpha 2$ (②)

3.3 Montaje directo de la unidad principal

Figura 3.4: Montaje directo



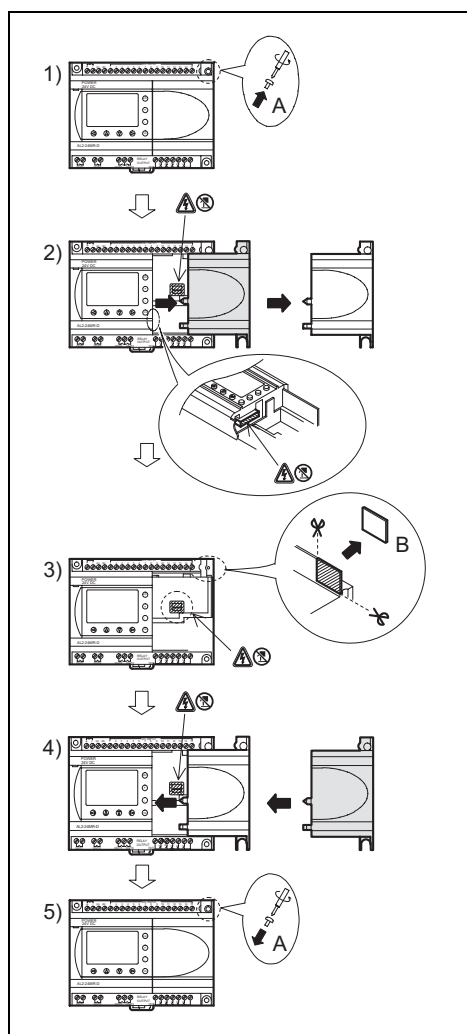
3.4 Instalación del módulo de extensión



Atención

Desconectar todos los terminales de la fuente de alimentación de energía antes de retirar la cubierta.

Figure 3.5: Instalación



- 1) Retire el tornillo 'A' y guárdelo.
- 2) Retire con cuidado la cubierta de puertos de expansión montada de fábrica.
- 3) Separe la sección 'B' de la unidad de base del controlador de serie $\alpha 2$.
- 4) Vuelva a colocar el módulo de expansión en la unidad principal.
- 5) Vuelva a colocar el tornillo 'A' y apriételo con un torque de 0,4 Nm.

4. Alambrado

4.1 Notas sobre los alambres de instalación



El cableado del sistema $\alpha 2$ se ha diseñado de modo seguro y fácil. Un técnico o ingeniero experimentados en los estándares eléctricos nacionales y locales debe realizar todas las tareas asociadas con el cableado eléctrico del $\alpha 2$. Desconecte el suministro de electricidad antes de ejecutar cualquier operación de alambrado.

- Los cables de entrada y salida no deben ser pasados a través del mismo cable multiteje o compartir el mismo alambre.
- No dejar cables de entrada/salida cerca de los cables de poder de alto voltaje.
- La longitud del cable de entrada y salida debe ser menor a 30 m.

Haga que las líneas usadas tengan una distancia extensa para la caída de voltaje y la interferencia de ruido con la entrada/salida. Utilice alambre de tamaño apropiado para la carga eléctrica.



El terminal aceptará a un atornillador de cabeza plana de 3 mm.

4.2 Tamaño de cable

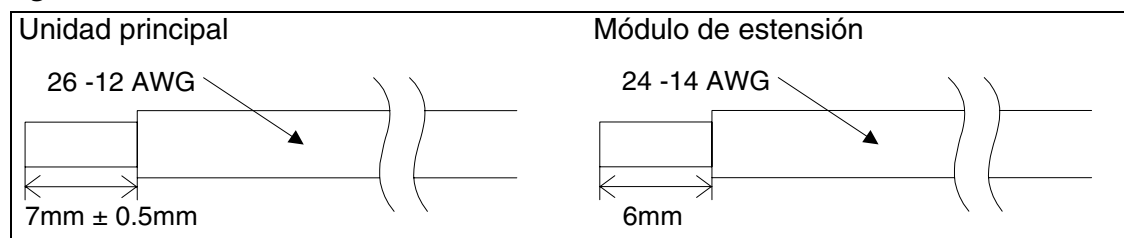
Conecte los cables de entradas y salidas utilizando el siguiente cable. Retire el revestimiento del cable al siguiente largo (véase la tabla 4.1 y la Figura 4.1). Por favor desenrosque el terminal hasta su posición más abierta antes de insertar un alambre. Meta el alambre por completo en el terminal para asegurar una conexión adecuada. Meta el alambre en el terminal y apriételo lo suficiente para evitar que se suelte por tracción.

Los terminales aceptarán un destornillador de 3 mm de cabeza plana.

Tabla 4.1: Dimensiones de conductores

	Dimensión del conductor	Longitud del conductor
Unidad principal	26 - 12 AWG (0.13 - 3.31mm ²)	7mm ± 0.5mm
Módulo de extensión	24 - 14AWG (0.2 - 2.5mm ²)	6mm ± 0.5mm

Figure 4.1: Dimensiones de conductores



Nota:

- Para evitar daños del cable, debe aplicarse un torque de 0,5~0,6 N·m.
- No use estaño, soldadura o cualquier otra sustancia sobre el cable pelado que podría causar la rotura del filamento del alambre.
 - Cable retorcido:
Remover el revestimiento, retorcer las almas y conectar luego el cable (o utilizar un terminal de presión).
 - Cable único:
Remover el revestimiento y conectar luego el cable.

4.3 Alimentación de tensión



- Al conectar una tensión alterna (CA), el conductor L se tiene que conectar al borne L y el conductor N al borne N. NO conecte el alambre "vivo" al terminal "N", pues el usuario podría sufrir una peligrosa descarga eléctrica en el momento de la conexión.
- En la conexión de una tensión continua (CC), el conductor positivo se tiene que conectar en el borne (+) y el conductor negativo en el borne (-). La conexión de la unidad de alimentación de tensión no se debe efectuar en ningún caso con ningún otro borne de la unidad.
Las unidades de alimentación de CC deben ser capaces de suministrar 4 amperios al controlador.

Figura 4.2: Cableando la alimentación

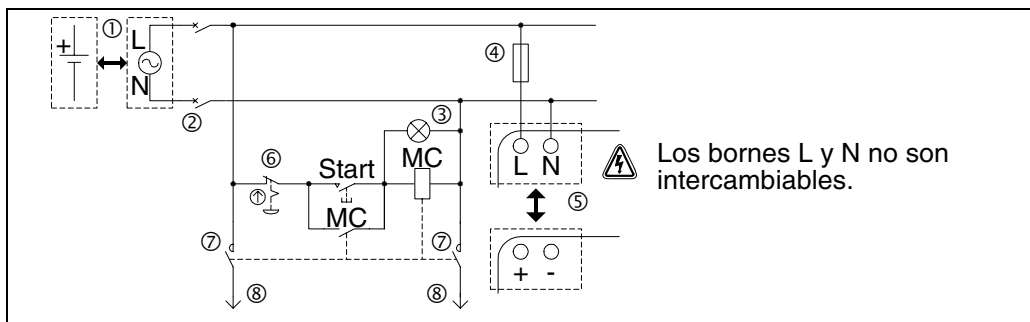


Tabla 4.2: Cableado de alimentación de corriente recomendado

No.	Descripción
1	Alimentación AL2-***-A: 100-240V CA~, 50/60Hz AL2-***-D: 24V CC
2	Dispositivo de aislamiento de circuito
3	Indicador para conexión de tensión
4	Dispositivo de protección con límite de 1,0A
5	Sistema $\alpha 2$
6	Interruptor de parada de emergencia
7	Conmutador magnético
8	Alimentación de tensión para carga

ESP

4.4 Cableado de la alimentación CA y la entrada

4.4.1 Cableado de la alimentación CA y la entrada

Figura 4.3: Esquema de cableado de la alimentación CA y de la entrada

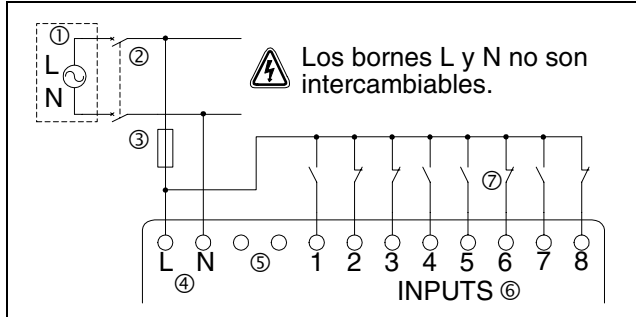


Tabla 4.3: Cableado de la alimentación CA y la entrada

No.	Descripción
1	Alimentación CA: 100 - 240V CA~ 50/60 Hz
2	Dispositivo de aislamiento de circuito
3	Dispositivo de protección con límite de 1,0A
4	Bornes de tensión CA
5	Terminales sin uso
6	Bornes de entrada
7	Interruptores de entrada digitales

4.4.2 Cableado de la entrada AL2-4EX-A2

Figura 4.4: Esquema de cableado de la entrada AL2-4EX-A2

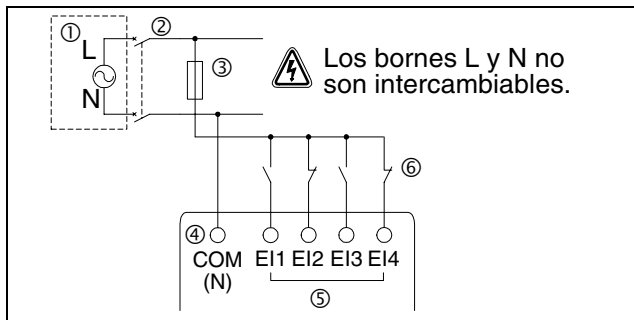


Tabla 4.4: Cableado de la alimentación y la entrada

No.	Descripción
1	Alimentación CA: 220 - 240V CA~ 50/60 Hz
2	Dispositivo de aislamiento de circuito
3	Dispositivo de protección con límite de 1,0A
4	Terminales COM (N)
5	Bornes de entrada
6	Interruptores de entrada digitales

4.5 Cableado de la alimentación CC y la entrada

4.5.1 Esquema de cableado de la alimentación CC y fuente de poder (terminal "+")

Figura 4.5: Esquema de conexión de la alimentación CC y entrada de la fuente de poder (terminal "+")

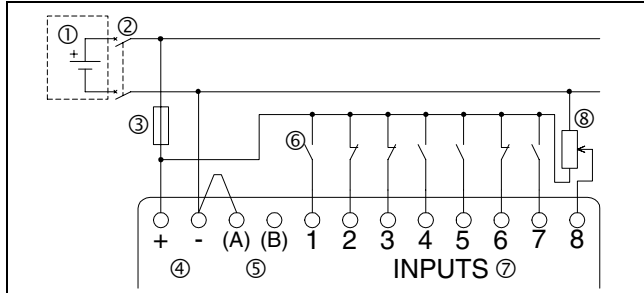


Tabla 4.5: Cableado de la entrada de la alimentación CC y fuente de poder (terminal "+")

No.	Descripción
1	Alimentación CC: 24V CC
2	Dispositivo de aislamiento de circuito
3	Dispositivo de protección con límite de 1,0A
4	Bornes de tensión CC
5	Bornes de entradas Sink/Source
6	Conmutadores de entrada del sensor
7	Bornes de entrada
8	Entrada análoga

4.5.2 Esquema de conexión de entrada de la fuente de poder AL2-4EX (terminal "+")

Figura 4.6: Esquema de conexión de entrada de la fuente de poder AL2-4EX (terminal "+")

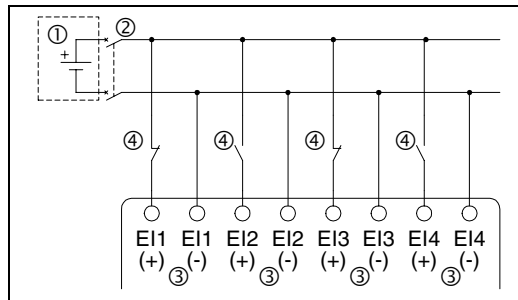


Tabla 4.6: Cableado de la entrada de la alimentación CC y fuente de poder (terminal "+")

No.	Descripción
1	Alimentación CC: 24V CC
2	Dispositivo de aislamiento de circuito
3	Bornes de entrada ver la nota
4	Conmutadores de entrada del sensor

ESP



Nota

Cada terminal de entrada (EI1 ~ EI4) puede usarse como una entrada de fuente o entrada de reducción.

4.5.3 Esquema de conexión de entrada de alimentación CC y drenaje (terminal "-")

Figura 4.7: Esquema de conexión de entrada de alimentación CC y drenaje (terminal "-")

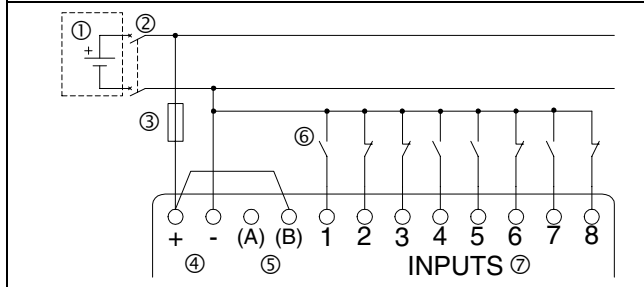


Tabla 4.7: Cableado de la entrada de alimentación CC y drenaje (terminal "-")

No.	Descripción
1	Alimentación CC: 24V CC
2	Dispositivo de aislamiento de circuito
3	Dispositivo de protección con límite de 1,0A
4	Bornes de tensión CC
5	Bornes de entradas Sink/Source
6	Conmutadores de entrada del sensor
7	Bornes de entrada

4.5.4 Esquema de conexión de entrada de drenaje AL2-4EX (terminal "-")

Figura 4.8: Esquema de conexión de entrada de drenaje AL2-4EX (terminal "-")

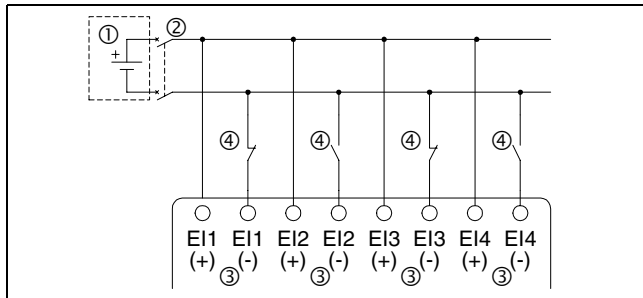


Tabla 4.8: Cableado de la entrada de alimentación CC y drenaje (terminal "-")

No.	Descripción
1	Alimentación CC: 24V CC
2	Dispositivo de aislamiento de circuito
3	Bornes de entrada ver la nota
4	Conmutadores de entrada del sensor



Nota

Cada terminal de entrada (E11 ~ E14) puede usarse como una entrada de fuente o entrada de reducción.

ESP

4.6 Cableando las salidas de relé y de transistor

4.6.1 Esquema de conexión de salida de relé de la unidad principal (CA y/o CC)

Figura 4.9: Esquema de conexión de salida de relé de la unidad principal (CA y/o CC)

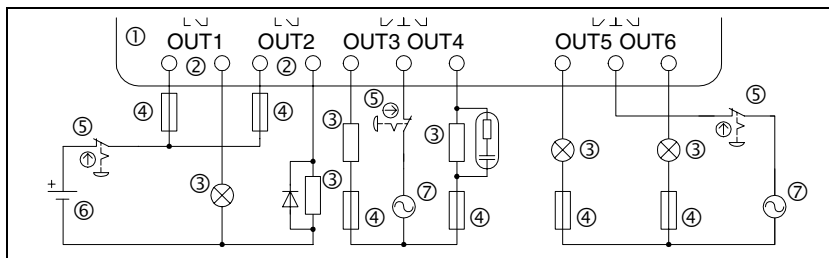


Tabla 4.9: Cableado de la salida de relé de la unidad principal (CA y/o CC)

No.	Descripción
1	Sistema $\alpha 2$
2	Salidas mutuamente exclusivas
3	Dispositivos de salida
4	Fusible (véase Tabla 4.10)
5	Interruptor de parada de emergencia
6	Tensión CC
7	Tensión CA

Tabla 4.10: Tablero de protección del circuito de salida de relés

Modelo	Número de salida	Carga resistiva máxima	Tablero de protección del circuito (fusible)
AL2-14MR-*	O01~O06	8A / Común	$\leq 10A$
AL2-24MR-*	O01~O04		$\leq 10A$
	O05~O09	2A / punto (4A / común)	$\leq 3A$

4.6.2 Esquema de conexión de salida de relé AL2-4EYR (CA y/o CC)

Figura 4.10: Esquema de conexión de salida de relé AL2-4EYR (AC y/o CC)

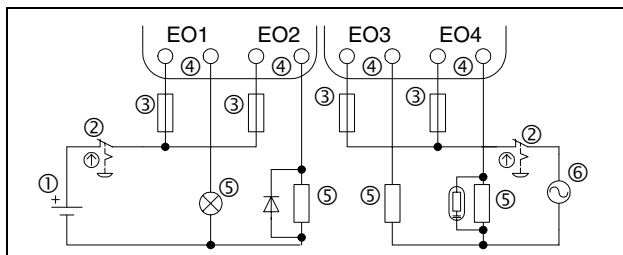


Tabla 4.11: Cableado de la salida de relé AL2-4EYR (AC y/o CC)

No.	Descripción
1	Tensión CC
2	Interruptor de parada de emergencia
3	Fusible ($\leq 3A$)
4	Salidas mutuamente exclusivas
5	Dispositivos de salida
6	Tensión CA

Tabla 4.12: Tablero de protección del circuito de salida de relés

Modelo	Número de salida	Carga resistiva máxima	Tablero de protección del circuito (fusible)
AL2-4EYR	EO1~EO4	2A / punto	$\leq 3A$ / Circuito

ESP

4.6.3 Salida de transistor (Fuente de poder o sólo terminal "+") AL2-4EYT

Figura 4.11: Esquema de conexión de salida de transistor (fuente de poder / sólo terminal "+") AL2-4EYT

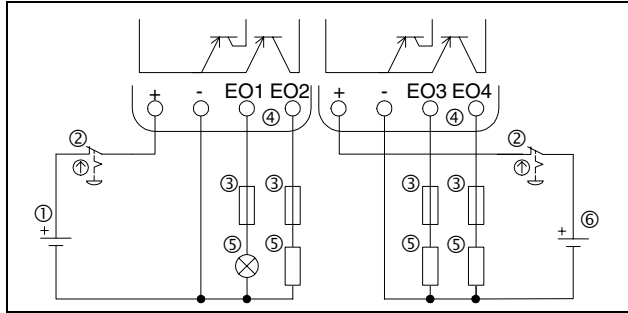


Tabla 4.13: Cableado de la salida de transistor

No.	Descripción
1	Alimentación CC para salidas, 24V CC
2	Interruptor de parada de emergencia
3	Dispositivo de protección ver laTabla 4.14
4	Bornes de entrada
5	Dispositivos de salida
6	Alimentación CC para salidas, 12V CC

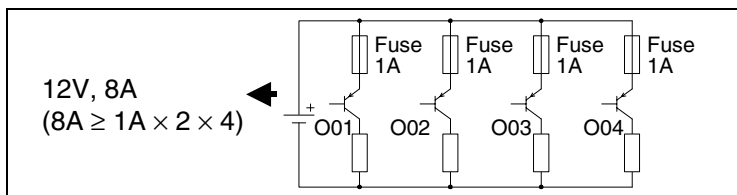
Tabla 4.14: Voltaje de la protección del circuito

Circuito	Voltaje de la protección del circuito (fusible)
5V CC	$\leq 0.3A$ / Circuito
12V CC	$\leq 2.0A$ / Circuito *1
24V CC	$\leq 2.0A$ / Circuito *1

*1 Capacidad de fuente de alimentación \geq Tamaño de fusible $\times 2$



Figura 4.12: Ejemplo de cálculo del tamaño de fusible



Nota;



Tabla 4.15: Bornas de salidas

Volt	Bornes de salidas
5	Cada circuito puede contener desde un terminal de salida hasta cualquier número de terminales de salida.
12-24	Cada circuito puede contener desde un terminal de salida hasta cualquier número de terminales de salida.
5,12,24	Cualquier combinación de salidas de 5 , 12 o 24 voltios es posible en un mismo controlador de la serie $\alpha 2$ si se trabaja con circuitos separados para cada nivel de voltaje..

MEMO

ESP

5. Ocupaciones de bornes

Figure 5.1: AL2-14MR-A, Entrada CA, salida del relé

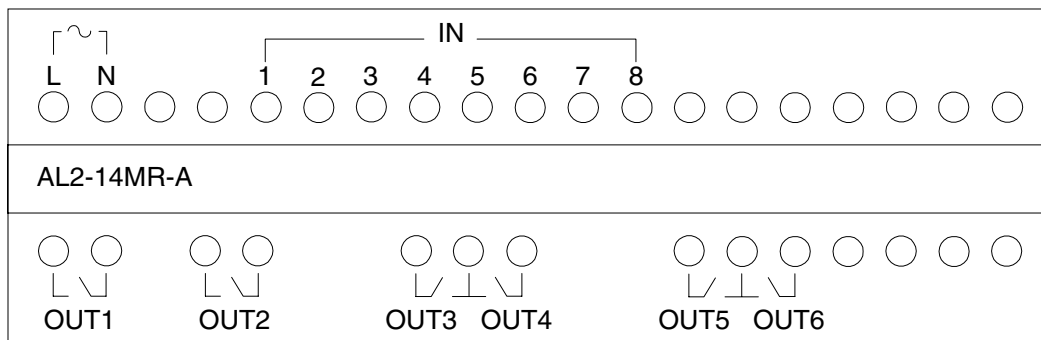


Figure 5.2: AL2-14MR-D, Entrada CC, salida del relé

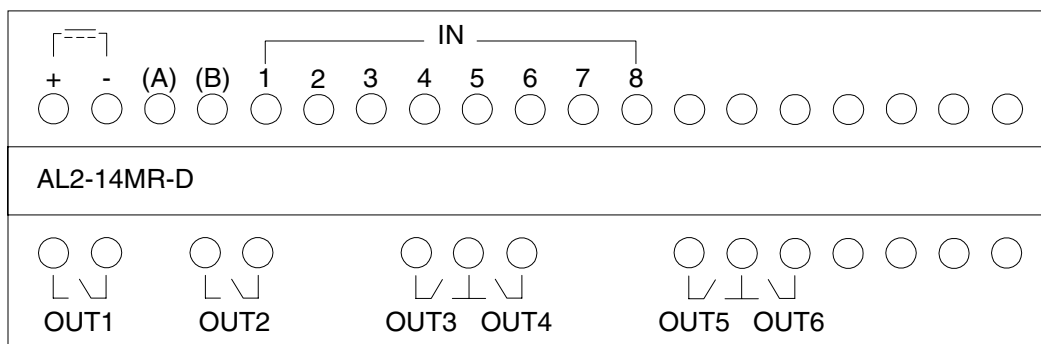


Figure 5.3: AL2-24MR-A, Entrada CA, salida del relé

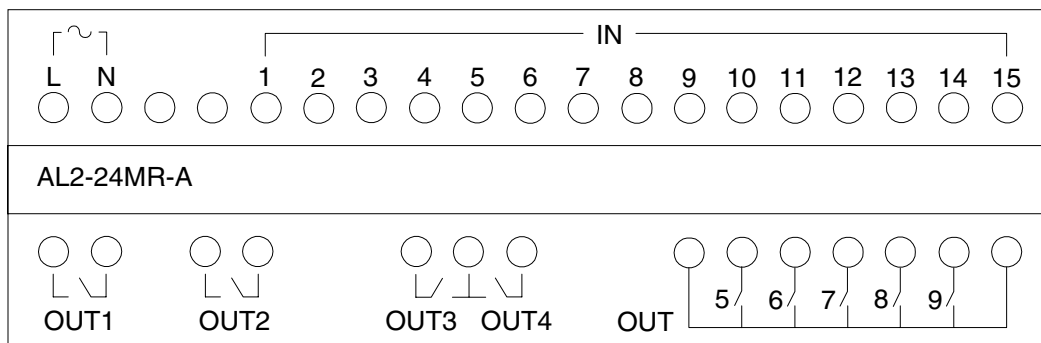


Figure 5.4: AL2-24MR-D, Entrada CC, salida del relé

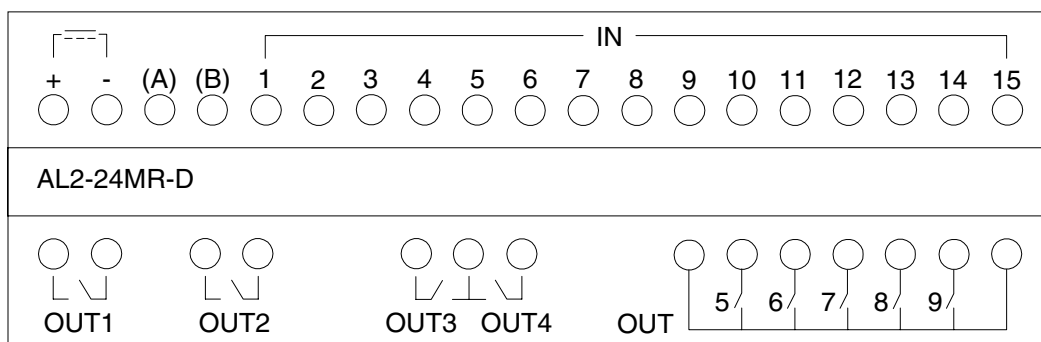


Figure 5.5: AL2-4EX-A2, 220-240V Entrada CA

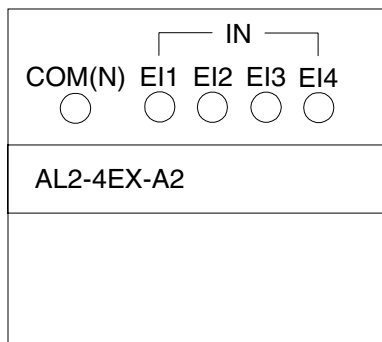


Figure 5.6: AL2-4EX, Entrada CC

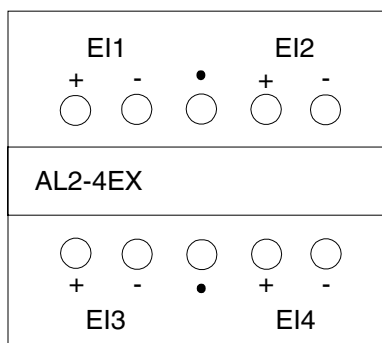


Figure 5.7: AL2-4EYR, salida del relé

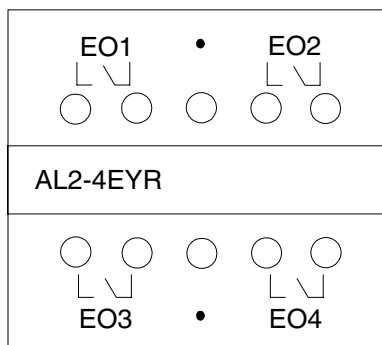
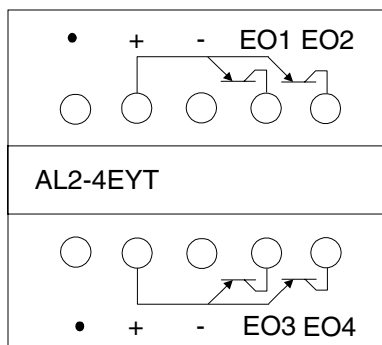


Figure 5.8: AL2-4EYT, salida del transistor



ESP

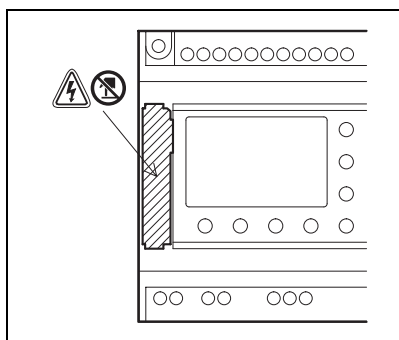
6. AL2-EEPROM-2

La CASETE MEMORIA AL2-EEPROM-2 está diseñada para usar sólo con el controlador de la serie $\alpha 2$ (Modelo: AL2-**M*-*).



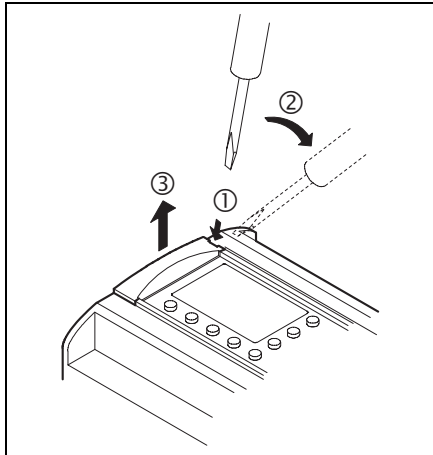
Advertencia

- Las únicas personas autorizadas a recambiar la casete memoria son las que dominan las normas locales y nacionales de electrotecnia.
- Desconecte la alimentación eléctrica antes de instalar o retirar la casete memoria.
- Reemplace la cubierta después de retirar la casete memoria.
- Durante la instalación de la cubierta o de la casete de memoria de la serie $\alpha 2$, poner atención de no apretarse los dedos.
- No toque la parte indicada a continuación al retirar la cubierta o la casete de memoria. .

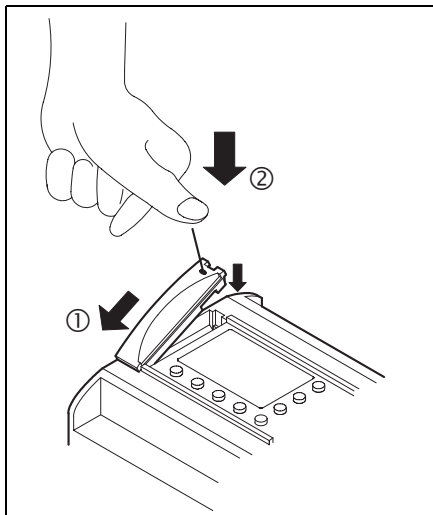


6.1 Installation

1) Manera de retirar la cubierta o la caseta memoria



2) Manera de montar la cubierta o la casete memoria



7. AL-232CAB

7.1 Introducción

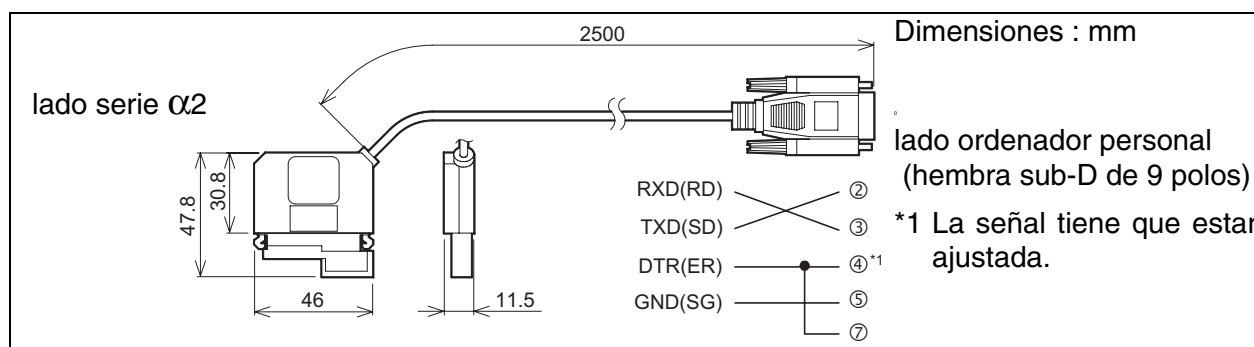
El AL-232CAB es un cable RS-232C conectado entre un controlador de la serie α (α , $\alpha 2$) y un computador personal en el cual se encuentra el software de programación.



Nota

- El cable AL-232CAB no se puede utilizar para otras aplicaciones.
- El cable AL-232CAB asoma unos 40 mm (1.57") por encima del panel superior cuando se conecta con un controlador de la serie $\alpha 2$.

7.1.1 Dimensiones externas



7.2 Conectado con un cable AL-232CAB



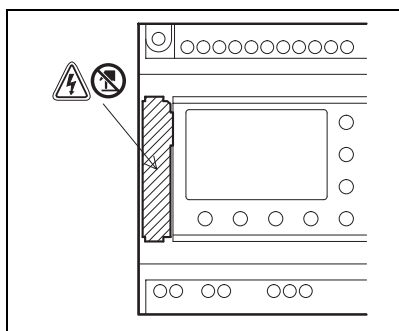
Retire la cubierta y la casete memoria

- Evite lastimarse la mano al retirar la cubierta con una herramienta.

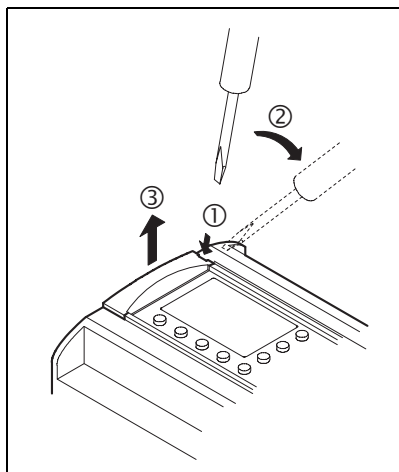


Advertencia

- Desconecte la alimentación eléctrica al instalar o separar el cable AL-232CAB.
- Instale la cubierta de la casete memoria después de retirar el cable AL-232CAB.
- Durante la instalación de la cubierta o de la casete de memoria de la serie $\alpha 2$, poner atención de no apretarse los dedos.
- No deje de sujetar la boquilla protectora del conector al separar el cable. No tire del cordón.
- NO toque la parte indicada a continuación al retirar la cubierta, la casete de memoria o su cable.

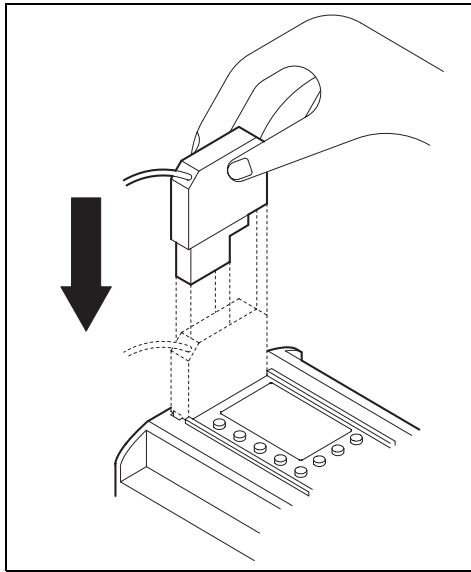


1) Manera de retirar la cubierta o la casete memoria

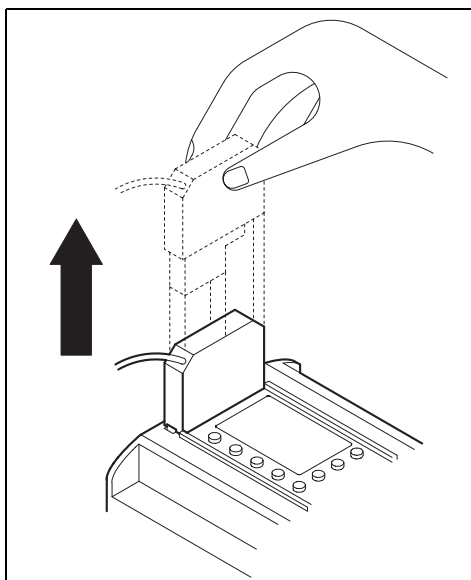


ESP

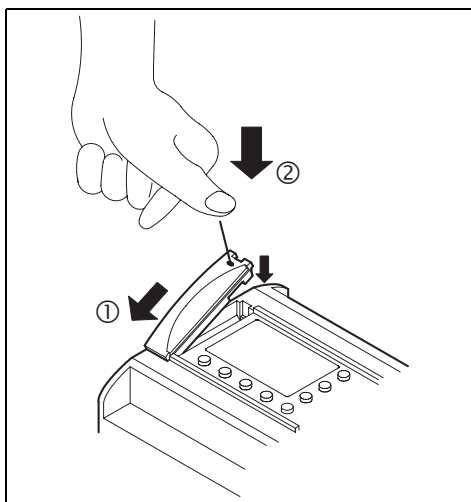
2) Manera de conectar el cable AL-232CAB



3) Manera de retirar el cable AL-232CAB



4) Manera de montar la cubierta o la casete memoria



MEMO

ESP

8. AL2-GSM-CAB

8.1 Introducción

El AL2-GSM-CAB puede usarse para conectar los controladores de la serie $\alpha 2$ a un módem normal o GSM. El AL2-GSM-CAB puede transferir los datos del servicio de mensajes breves (SMS) al módem GSM para su transmisión a los teléfonos móviles o direcciones de correo o facilitar las funciones de monitoreo a distancia y transferencias de programa vía módems normales. Al usar un cable adaptador puede llevarse a cabo también la comunicación RS-232C a un computador personal.

En el Manual de programación $\alpha 2$ y en el Manual de software se pueden encontrar informaciones adicionales.



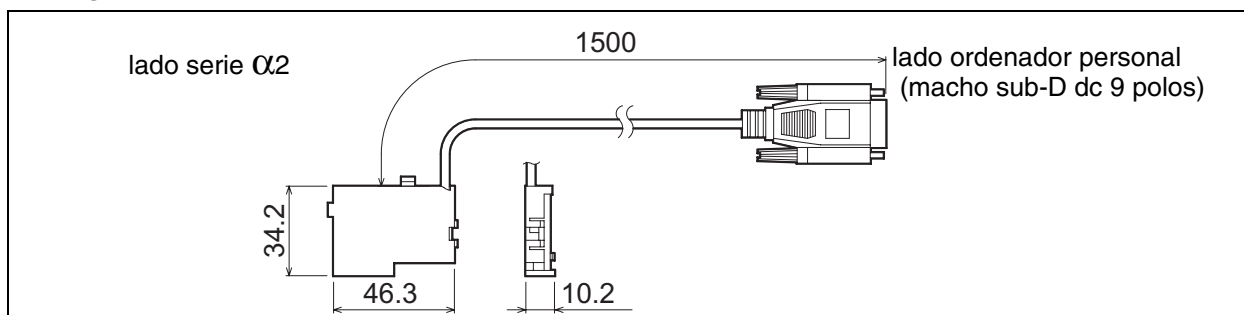
Nota:

- Este cable no puede usarse para ninguna otra aplicación.
- Este cable no corresponde a los controladores de la serie α .
- La comunicación simultánea entre ambos puertos de controladores de la serie $\alpha 2$ puede causar daños en el programa o un malfuncionamiento del controlador.

8.1.1 Dimensiones externas

Figure 8.1: Dimensiones externas

Dimensiones : mm



8.1.2 Configuración del sistema usando AL2-GSM-CAB

Figura 8.2: Configuración del sistema con AL2-GSM-CAB

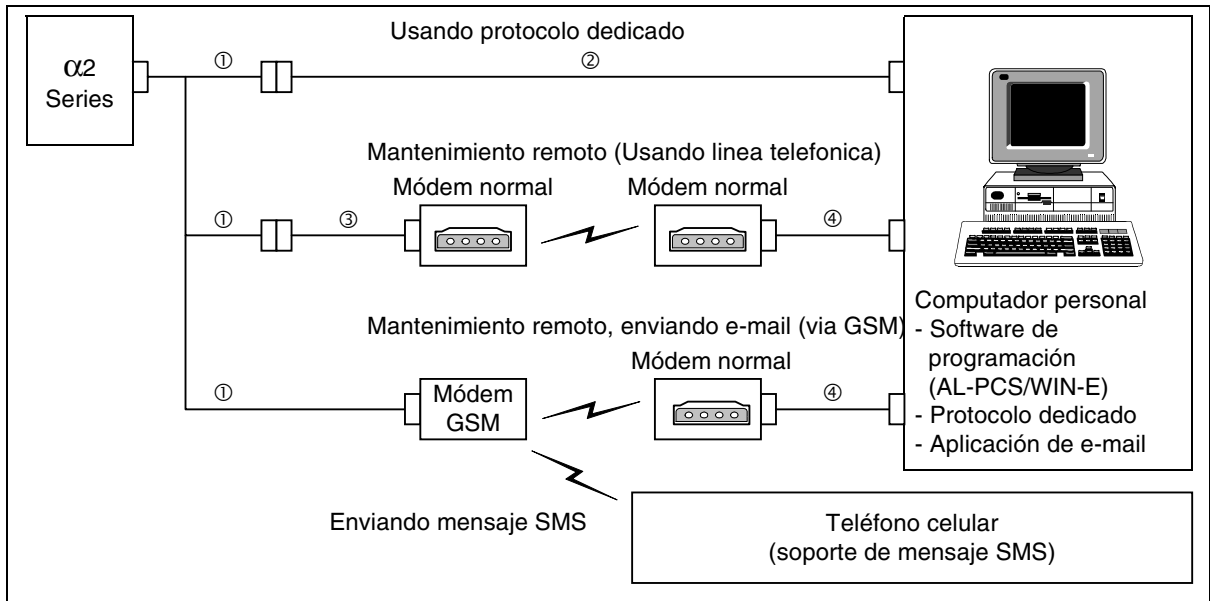
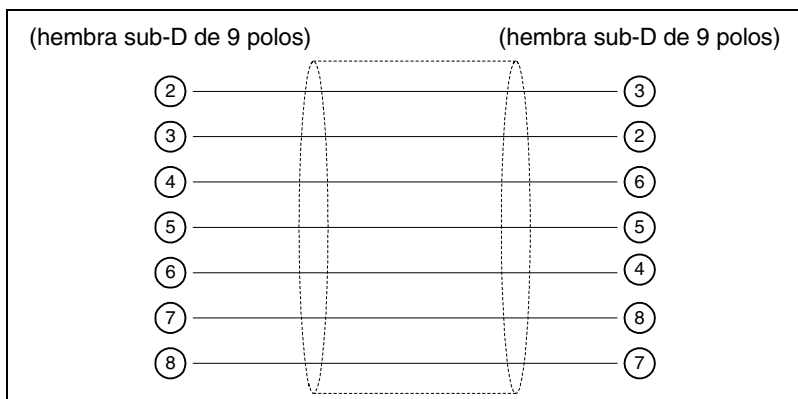


Tabla 8.1: Configuración del sistema con AL2-GSM-CAB

Item	Usando cable
1	AL2-GSM-CAB
2	Cable transversal RS-232C (véase Figura 8.3)
3	Cable directo RS-232C para el módem (véase Figura 8.5)
4	Cable directo RS-232C para el módem (especificado por el fabricante del módem)

Figura 8.3: Referencia del cable transversal RS-232C



Nota:

Las señales 4 y 7 deben ajustarse en el nivel alto en el lado del computador personal. Si estas señales no son ajustadas, no habrá comunicación a las series $\alpha 2$.

8.2 Instalación

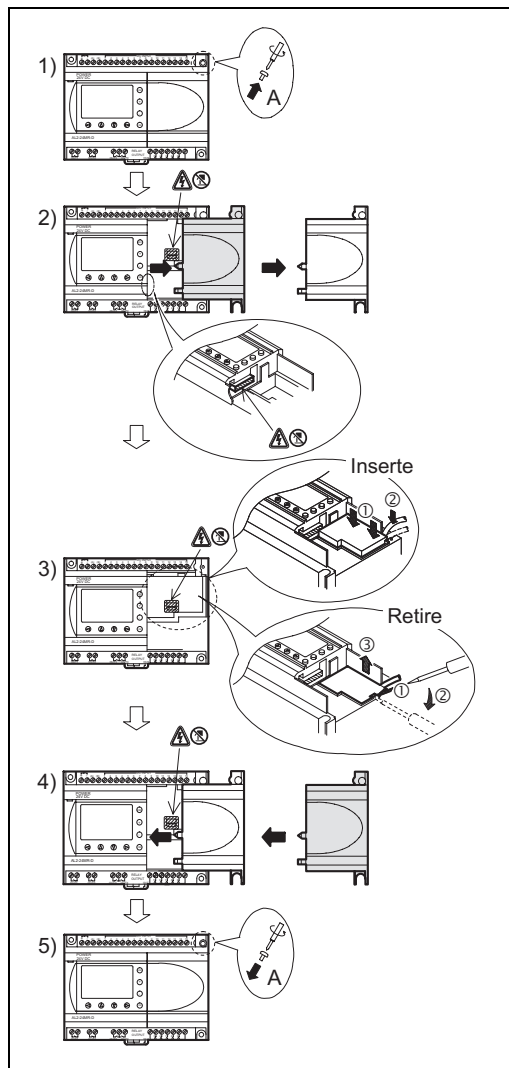
Refiérase a la Figura 8.4 al instalar el AL2-GSM-CAB.



Precaución

- AL2-GSM-CAB debe instalarse y desinstalarse por personas instruidas en las normas eléctricas locales y nacionales.
- Desconecte el suministro de energía antes de instalar o desinstalar el AL2-GSM-CAB.
- Coloque la cubierta trasera después de cada instalación o retiro del AL2-GSM-CAB.
- En ninguna circunstancia Mitsubishi Electric estará sujeto o responsable de cualquier daño que pueda surgir como resultado de la instalación o el uso de este accesorio.
- No tirar del condón.
Si se tira del cordón, el cable puede dañarse.
- Para la comunicación a las series $\alpha 2$ mediante módem GSM, la alimentación de energía para ambas unidades debe estar conectada al mismo tiempo. Si estas unidades no están iniciadas simultáneamente, no es posible establecer una comunicación a las series $\alpha 2$ mediante el módem GSM.
- Desconectar todos los terminales de la fuente de alimentación de energía antes de retirar la cubierta.

Figura 8.4: Installation



- 1) Retire el tornillo 'A' y guárdelo para el uso futuro.
- 2) Retire cuidadosamente la cubierta del puerto de expansión $\alpha 2$ instalado en fábrica o la cubierta del módulo especial.
- 3) Inserte el AL2-GSM-CAB en la cavidad colocando el cable cuidadosamente en el canal ubicado por el lado del terminal de entrada.
- 4) Vuelva a colocar la cubierta $\alpha 2$ ó la del módulo especial cuidando que no se produzca una interferencia con el AL2-GSM-CAB.
- 5) Vuelva a colocar el tornillo 'A' y apriételo con un torque de 0,4 Nm.

8.3 Mantenimiento a distancia mediante un módem

En el Manual de programación $\alpha 2$ pueden encontrarse informaciones adicionales sobre los procedimientos de configuración del módem. El software de programación (AL-PCS/WIN-E) proporciona el método más fácil para configurar el módem.

8.3.1 Módems recomendados

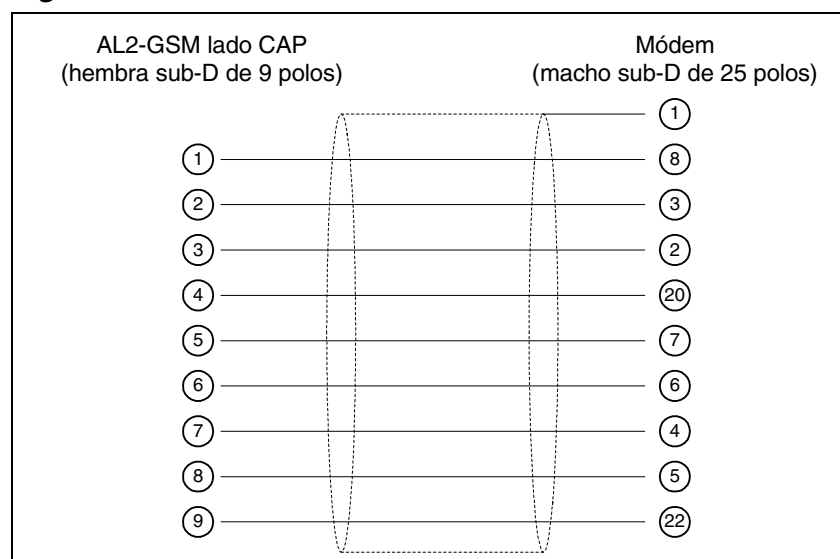
Los siguientes módems fueron probados exitosamente..

Tabla 8.2: Módems probados

Nombre fabricante	Nombre modelo	Comando de módem (comando AT))
3com	SP560V-P	ATE0Q1&B1&D0H0&I0&R1&S0S0=2S15=8&W
OMRON	ME3314	ATE0S0=2Q1&D0S15=8&R1&H0&W
AIWA	PV-AF3360	ATE0S0=2Q1&D0&M5\Q0\J0&W
Siemens	M20T	ATE0S0=2&S0;+IFC=0,0;+CMEE=1;+IPR=9600&W

8.3.2 Cable directo RS-232C entre el módem y AL2-GSM-CAB

Figura 8.5: Referencia de cable directo RS-232C entre el módem y AL2-GSM CAB



8.3.3 Programación del módem

- 1) Programación desde el computador personal
Instale el archivo para la programación del accesorio en el módem.
- 2) Programación del módem para la serie $\alpha 2$
Se programa el módem desde el sistema $\alpha 2$ mediante el comando ModemInit de la unidad principal.
 - a) Acerca del comando de módem (comando AT)
Use el comando AT para inicializar el módem. Confirme los detalles del comando AT indicados en el manual del módem que utiliza. Los comandos AT fueron preparados para seleccionar los módems indicados en las tablas 8.4 (Módem normal) y 8.5 (módem GSM) siguientes..

Tabla 8.3: Módems probados

Nombre del fabricante	Nombre del modelo	Comando de módem (comando AT)
3com	SP560V-P	ATE0Q1&B1&D0H0&I0&R1&S0S0=2S15=8&W
OMRON	ME3314	ATE0S0=2Q1&D0S15=8&R1&H0&W
AIWA	PV-AF3360	ATE0S0=2Q1&D0&M5\Q0\J0&W
Siemens	M20T	ATE0S0=2&S0;+IFC=0,0;+CMEE=1;+IPR=9600&W

n el Manual de programación $\alpha 2$ pueden encontrarse informaciones adicionales sobre el método para inicializar un módem.

Al usar módems que no están mencionados en la tabla anterior, programe el comando AT de modo que cumple los siguientes requisitos..

Tabla 8.4: Comando AT para módem (Módem normal)

Item de programación	Contenido de programación	Ejemplo de programación		
		SP560V-P	ME3314	PV-AF3360
Programación de eco de comando	Ninguno	E0	E0	E0
Frecuencia de llamada de respuesta automática	Doble	S0=2	S0=2	S0=2
Código de resultado visualizado	Ninguno	Q1	Q1	Q1
Control DTR	Siempre conectado	&D0	&D0	&D0
Control DTR	Siempre conectado	&S0		
Modo de comunicación	Modo V.42bis	S15=8	S15=8	&M5
Velocidad de dimensión fija del terminal	Fijo	&B1	\J0	
Esquema de flujo de control del terminal	Ninguno	-&R1	\Q0	
Control de flujo de datos de transmisión	Ninguno	&H0	&H0	-
Control de flujo de datos recibidos (software)	Ninguno	&I0		
Control de flujo de datos recibidos (control RTS)	Ninguno	&R1		
Escritura en memoria no volátil	Escritura en memoria no volátil	&W	&W	&W

ESP

Tabla 8.5: Comando AT para módem GSM

Item de programación	Contenido de programación	Ejemplo de programación
		M20T
Habilitar eco de comando	Modo eco APAG	E0
Programar números de ring antes de la respuesta automática del llamado	Habilita la contestación automática después de dos ring	S0=2
Programar modo de funcionamiento conjunto de datos de circuito disponible (DSR)	DSR siempre CON	&S0
Programar control de flujo de datos locales TE-TA	<ul style="list-style-type: none"> • Especifica el método que usar el TE cuando recibe datos de TA:Ninguno • Especifica el método que usa el TA cuando recibe datos de TE:Ninguno 	+IFC=0,0
Informe de error de equipamiento móvil	Habilita el código de resultado y usa valor numérico	+CMEE=1
Programar velocidad local fijada	Velocidad en baudios: 9600 bps	+IPR=9600
Programar modo de funcionamiento para detección de portador de datos de circuito (DCD) *1	Línea DCD está CON sólo en presencia de portador de datos	&C1
Selecciona el perfil definido del tipo de servicio de portador *1	9600 bps (V.32), módem asincrónico, no transparente	+CBST=7,0,1
9600 bps (V.32), módem asincrónico, no transparente	El perfil de usuario se guarda en la memoria no volátil	&W

*1 En el caso de Siemens M20T, estos ajustes son innecesarios, ya que son ajustes por defecto. Si se utiliza otro módem GSM, tal vez estos ajustes sean necesarios.

b) Temporización para la inicialización del módem durante la iniciación del sistema

En el sistema α 2 existe una función para retardar la transmisión del comando del módem (comando AT) para inicializar el módem desde la unidad principal al momento del inicio. El retardo puede ser entre 0 y 10 segundos. Este comando puede ser útil para asegurar que el comando AT se transmita correctamente cuando la inicialización del sistema α 2 es más rápida que la del módem.

Mayores informaciones acerca de la operación del módem se encuentran en el Manual de Programación α 2, así como en el Manual del software α .

MEMO

ESP

9. AL2-ASI-BD

El módulo de extensión sensor-actuador AL-ASI-BD se emplea en combinación con un controlador de serie $\alpha 2$ para la comunicación interna de datos a través del bus de comunicación ASI (Interfaz AS).

En los Manuales de programación de la serie $\alpha 2$ pueden encontrarse informaciones adicionales.



Advertencia

- Las únicas personas autorizadas a reemplazar el módulo AL2-ASI-BD son las que dominan las normas locales y nacionales de electrotecnia.
- Desconecte la alimentación eléctrica antes de instalar o retirar el módulo AL2-ASI-BD.
- Reemplace la cubierta después de retirar el módulo AL2-ASI-BD.
- Mitsubishi Electric no se responsabilizará bajo ninguna circunstancia de cualquier daño ocurrido como consecuencia de la instalación o la utilización de este equipo.

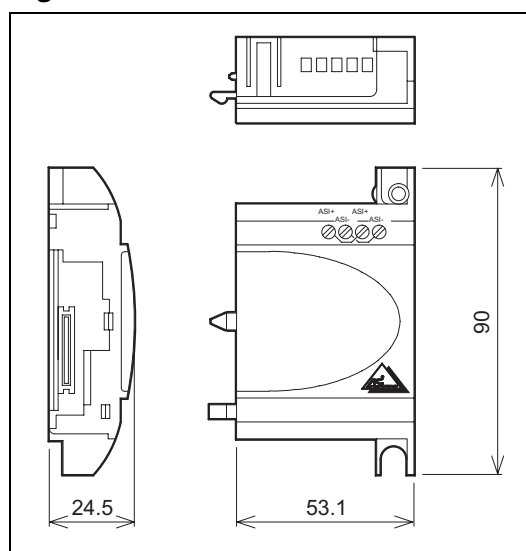
9.1 INTRODUCCIÓN

El AL-ASI-BD se conecta al cuerpo principal del controlador de serie $\alpha 2$, formando una estación esclava al servicio de una red (4 entradas, 4 salidas). Al crear ésta red de ampliación, es posible conectar 31 estaciones esclavas como máximo. La fuente de energía eléctrica de la interfaz AS suministra la corriente necesaria para la comunicación a través del bus de la red.

9.1.1 Dimensiones externas

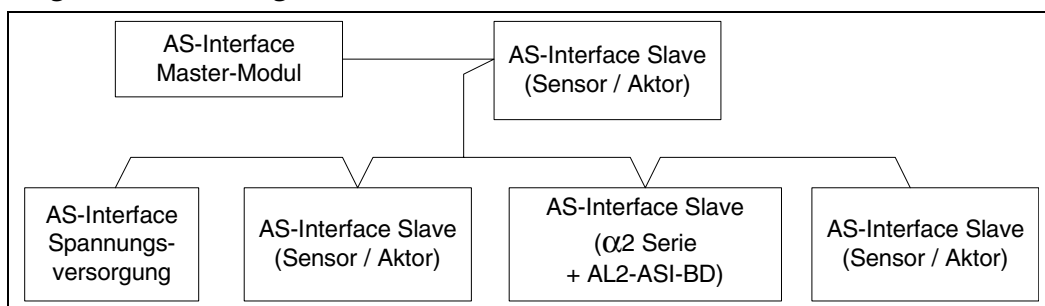
Figura 9.1: Dimensiones externas

Dimensiones : mm



9.1.2 Configuración del sistema

Figure 9.2: Configuración del sistema



9.2 ESPECIFICACIONES

Refiérase al Capítulo 2 sobre las especificaciones generales..

Tabla 9.1: Especificaciones de la comunicación a nivel de hardware

Concepto	Descripción
Número de E/S	4 entradas (E01-E04) 4 salidas (A01-A04)
Tiempo de refresco E/S	máx. 5ms
Alcance de la red	máx. 100m
Voltaje de alimentación externa	Típico. 30,5V CC (fuente de interfaz AS)
Consumo	40 mA o menos
Directriz CE	EMC
Se corresponde con	ASi

Tabla 9.2: Especificaciones de la comunicación a nivel de software

Item	Contenido	
Número de estación	Configurada por la estación maestra (por defecto es 0 de fábrica)	
Código IO	7	
Código ID	F	
Bit de datos	D0 - D3	Entrada Salida 01 - 04 (E01 - E04, A01 - A04)
Bit de configuración	P0	Monitor de comunicación (configurada por defecto). *1
	P1,P2,P3	No usado
Bit sistema	M6	"ON" (conectado) cuando ocurre un error de comunicación de la interfaz AS
	M7	"ON" (conectado) cuando ocurre un error de comunicación a causa de una falla de energía de la interfaz AS
Bit control	N1	ON: Desconectado de la red de interfaz AS. OFF: Conecta a la red de interfaz AS.

*1 Función para resetear la señal de entrada cuando la comunicación de la interfaz AS se interrumpe por 70 ms o más.

ESP

9.3 CONEXIONADO E INSTALACIÓN

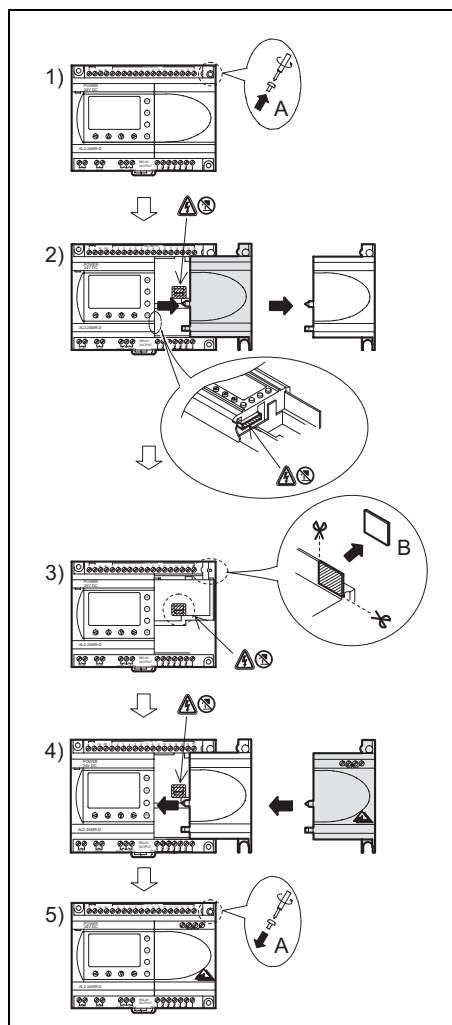
9.3.1 Instalación



Atención

Desconectar todos los terminales de la fuente de alimentación de energía antes de retirar la cubierta.

Figura 9.3: Instalación



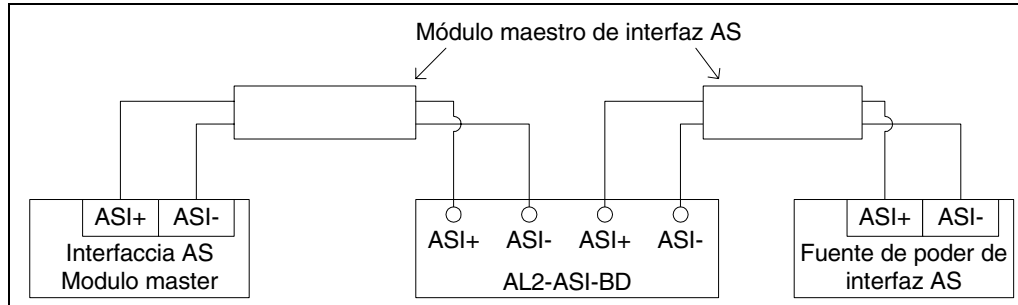
- 1) Retire el tornillo 'A' y guárdelo.
- 2) Retire con cuidado la cubierta puertos de expansión montada de fábrica.
- 3) Separe la sección 'B' de la unidad base del controlador de la serie $\alpha 2$.
- 4) Vuelva a colocar el AL-ASI-BD en la unidad base.
- 5) Vuelva a colocar el tornillo 'A' y apriételo con un torque de 0,4 Nm.

9.3.2 Alambrado



Utilice un cable plano para interfaz AS (amarillo) para conectar el AL-ASI-BD a la red. Al conectar el cable de interfaz AS al módulo, apriete los tornillos de las patillas del conector de comunicación con una fuerza de 0,5 - 0,6 N·m.

Tabla 9.3: Alambrado



9.4 Asignación de Direcciones al Esclavo y Diagnóstico

9.4.1 Asignación de Direcciones al Esclavo

La dirección del esclavo de cada una de las direcciones esclavas pueden configurarse ya sea con la unidad central o con un dispositivo de programación. Al agregarse una nueva estación al bus de la interfaz AS, el módulo maestro asigna la dirección más baja disponible.

Las direcciones de las estaciones esclavas varían de 1 a 31 y pueden asignarse solamente a un módulo provisto de dirección inicial 0 (cero). Los módulos nuevos vienen preajustados a 0 antes de su envío desde fábrica. Si a un módulo se le ha asignado antes una dirección que no sea 0, tendrá que reinicializarse a 0 antes de poder agregarlo a la red.

Las estaciones se agregan a la red a razón de una por vez. En esas circunstancias es preciso desconectar la red antes de cada ampliación. Consulte el manual de módulos del maestro de la interfaz AS para saber cómo cambiar los números de los módulos de la unidad central.

9.4.2 Comprobaciones a Realizar en Caso de Error

- 1) Si ocurre un error por defecto de comunicación (M6);
 - verifique las conexiones al maestro de la interfaz AS y compruebe si el número de la estación esclavo es el correcto,
- 2) Si se produce un error de suministro de alimentación a la comunicación (M7);
 - verifique la conexión del cable del bus de la interfaz AS en cada una de las unidades afectadas, incluida la fuente de alimentación de la interfaz AS y su funcionamiento.

10. Listas de teclas, bits de sistema y bloques de función

10.1 Listas de teclas

La siguiente tabla muestra las teclas de operación a usar en el menú y el programa de usuario. En el Manual de Programación $\alpha 2$ pueden encontrarse informaciones adicionales..

Tabla 10.1: Listas de teclas de operación

Key Name	Número de tecla	Función principal de la tecla
OK	K01	confirmación de datos ingresados, opciones de menú, selección de programass
ESC	K02	cancelación de la operación actual, pasar a pantalla o menú inmediatos superiores
+	K03	conectarse con bloques de función, pasar a bloques numerados inmediatos superiores, incremento de valores
-	K04	desconectarse de bloques de función, pasar a bloques numerados inmediatos inferiores, decremento de valores
▲	K05	esplazamiento hacia ítems numerados inmediatos superiores (teclas, FB, entradas, salidas, etc.)
▼	K06	desplazamiento hacia ítems numerados inmediatos inferiores (teclas, FB, entradas, salidas, etc.)
▶	K07	desplazamiento a la derecha de la visualización LCD, programa FB o comando de Salto
◀	K08	desplazamiento a la izquierda de la visualización LCD, programa FB o comando de Salto

10.2 Listas de bits de sistema

Existe un bit de sistema controlado por el sistema y el bit de control que se controla a través del programa de usuario.

10.2.1 Listas de bit de sistema

Tabla 10.2: Listas de bit de sistema

Bit de sistema	Descripción
M01	Siempre "ON" (conectado)
M02	Siempre "OFF" (desconectado)
M03	Alternadamente – 0,5 segundos "ON" (conectado), 0,5 segundos "OFF" (desconectado)
M04	"ON" (conectado) siempre y cuando ocurra un error de datos del reloj de tiempo real
M05	"ON" (conectado) siempre y cuando se encuentre activado el calendario de hora de verano
M06	"ON" (conectado) cuando ocurre un error de comunicación de la interfaz AS
M07	"ON" (conectado) cuando ocurre un error de comunicación a causa de una falla de energía de la interfaz AS
M08	(conectado) cuando el modo Parada conectado conmuta al modo Funcionamiento en el sistema $\alpha 2$. La señal ON (conectado) actúa como salida de impulso y después se desconecta.
M09	OFF (desconectado) cuando el modo Parada conectado conmuta al modo Funcionamiento en el sistema $\alpha 2$. La señal OFF (desconectado) actúa como una salida de impulso y después se conecta.
M10	Reservado
M11	Reservado
M12	"ON" (conectado) cuando la señal CD (DCD) está ON (conectada) (recibiendo la señal CD desde el módem)
M13	"ON" (conectado) cuando es posible acceder a la red GSM
M14	"ON" cuando la serie $\alpha 2$ se accesa vía GSM.

10.2.2 Lista de bit de control

Tabla 10.3: Bits de control

Bit de control	Description
N01	ON: Desconectado de la red de interfaz AS. OFF: Conecta a la red de interfaz AS.
N02*1	ON: La luz de fondo del visualizador de cristal líquido está "OFF" (desconectada). OFF: La luz de fondo está controlada por el valor programado para "Tiempo de Luz" en el menú.
N03*1	ON: La luz de fondo del visualizador de cristal líquido está "ON" (conectada). OFF: La luz de fondo es controlada por el valor programado para "tiempo de Luz" en el menú.
N04	ON: La pantalla de usuario es controlada por la programación del "Administrador de Visualizador" mediante ALPCS/WIN-E. OFF: La pantalla de usuario es controlada por el programa de usuario.

*1 Cuando N02 y N03 están en "ON" y la luz de fondo también está en "ON", ya que se otorga la prioridad al N03.

10.3 Listas de bloque de función

En el Manual de Programación de la serie $\alpha 2$ pueden encontrarse informaciones adicionales..

Tabla 10.4: Listas de bloque de función

Bloque de función		Consumo de memoria (Byte)	Descripción
Nombre	Símbolo		
AND	AND	19	Salida ON (conectada) cuando todas las entradas están ON (conectadas), las salidas no usadas se consideran ON (conectadas)
OR	OR	19	Salida ON (conectada) cuando al menos una salida está ON (conectada), las salidas no usadas se consideran OFF (desconectadas)
NOT	NOT	10	Invierte una señal; cambia un OFF (desconectado) a un ON (conectado) y viceversa
XOR	XOR	13	O exclusivo; Salida ON (conectada) cuando sólo una de DOS entradas está ON (conectada)
NAND	NAND	19	No Y; Salida OFF (desconectada) sólo cuando todas las entradas están ON (conectadas), las entradas no usadas se consideran ON (conectadas)
NOR	NOR	19	No O; Salida OFF (desconectada) cuando al menos una entrada está ON (conectada), las entradas no usadas se consideran OFF (desconectadas)
Boolean	BL	*1	Ecuación lógica que usa AND, OR, XOR, NOT
Set/Reset	SR	14	Al mantener un relé en la posición SET o RESET, se entrega la prioridad a SET o RESET.
Impulso	PL	10	Emite un impulso en el margen de ascenso, descenso o en ambos márgenes
Alterno	AL	13	La salida se alterna entre ON (conectado) y OFF (desconectado) con cada pulso de entrada.
Delay	DL	19	Retarda una señal en el margen de ascenso, descenso o en ambos márgenes
Disparo único	OS	17	Emite un impulso único, basado en la señal de tiempo o entrada, polo Reset disponible
Flicker	FL	19	Emite una serie de impulsos; tiempos de ON/OFF (conectado/desconectado), repeticiones, duración o operación continua
Interruptor de tiempo	TS	*2	Usa el RTC para conmutar la salida ON/OFF (conectada/desconectada); calendario o agenda semanal.
Mantenimiento del interruptor de tiempo	TSm	*2	Usa el RTC para conmutar la salida ON/OFF (conectada/desconectada); calendario o agenda semanal. La agenda puede cambiarse con "Param TS" en el menú Principal.
Contador	CN	16	Cuenta hacia delante por impulsos, puede reponerse con una señal
Contador hacia delante/atrás	UD	22	Cuenta hacia delante o atrás, programa un valor predeterminado para la salida que se pondrá en ON (conectada)
Compare	CP	17	Compara dos valores para <, >, =, <=, >=, <> (Análogo, Programación Directa, o valores FB)

Tabla 10.4: Listas de bloque de función

Bloque de función		Consumo de memoria (Byte)	Descripción
Nombre	Símbolo		
Amplificación de desviación	OG	22	Manipula los valores análogos; $y = A/B \cdot x + C$; Programa los valores de Límite Superior y Límite Inferior
Visualizador	DP	*3	Visualizador Pantalla de usuario (mensajes o datos) en el visualizador de cristal líquido
Comparación por zonas	ZC	20	Compara un valor con un rango de valores (valores (Análogos, Programados Directos o FB)
Disparador Schmitt	ST	19	Conecta una entrada en el Valor Alto y la desconecta en el Valor Bajo (o vice versa)
Contador de horas	HM	19	Memoriza el tiempo acumulado en que una señal ha estado ON (conectada)
Detección de velocidad	SPD	25	La frecuencia de entrada de señal (On/Off [conectado/desconectado]) se mide por un tiempo de largo determinado. La frecuencia se compara con un rango de valores y la salida se conecta/desconecta conforme al resultado.
Modulación de ancho del impulso	PWM	16	Cuando este bloque de función está activo, se emite una serie continua de impulsos. Las características del impulso se definen como Utilización del impulso (programación Directa, Análoga, valores FB), duración del ciclo.
Alterno retenido	RAL	13	La salida se alterna entre ON (conectado) y OFF (desconectado) con cada pulso de entrada. Se retiene el último estado de salida cuando el suministro de energía se desconecta y conecta. Sin embargo, el último estado de salida se pierde cuando la serie $\alpha 2$ se coloca en el modo de Parada.
Adición	ADD	20	$y = A + B$
Sustracción	SUB	20	$y = A - B$
Multiplicación	MUL	20	$y = A \times B$
División	DIV	20	$A \div B = q, r$ (cociente y resto)
Cálculo	CAL	*4	Ecuaciones que usan +, -, x, ? % y los datos seleccionados.
Shift	SFT	19	Operación Desplazamiento; cuando se ingresa la señal "SFT", se edita el último estado de señal "I". Cuando se usa la operación desplazamiento de 8 bits, el bloque de función "Shift" (desplazamiento) deberá prolongarse 8 veces.
GSM SMS	SMS	*5	Se transmite el contenido de la pantalla de cristal líquido como mensaje SMS.
Disparo único casual	ROS	19	Emite el impulso único de largo casual.
Disparo único retardado	DOS	20	Emite un impulso único después de un tiempo de retardo
Alternación retardada	DAL	16	Con cada impulso de entrada, la salida alterna entre ON o OFF después de un tiempo de retardo

Tabla 10.4: Listas de bloque de función

Bloque de función		Consumo de memoria (Byte)	Descripción
Nombre	Símbolo		
Set/Reset retenido	RSR	14	Al mantener un relé en la posición SET o RESET, se entrega la prioridad a SET o RESET. Se retiene el último estado de salida cuando el suministro de energía se desconecta y se conecta. Sin embargo, el último estado de salida se pierde cuando la serie $\alpha 2$ se coloca en el modo de Parada.
Visualizador de control	CDP	*6	Controla cuál de las pantallas de visualización aparece en el visualizador de cristal líquido. Este bloque de función sólo se puede programar con el software AL-PCS/WIN-E. Cuando el bit de control N04 está ON (conectado), es posible controlar la pantalla de usuario visualizada.
Conexión	_B	10	Este bloque de función CONEXIÓN en un FB interno se usa para mostrar la memoria utilizada por los bits del sistema, los bits para la interfaz AS y las teclas de operación. No aparece ningún bloque de función en pantalla ni se muestra tal como en el cuadro de diálogo "Tratamiento de configuración de memoria"; la finalidad es sólo el calcular la memoria que está usada por los bits de la lista más arriba.
Salidas de SISTEMA	Out	10	Controla el dispositivo externo a través de relés y transistores.

*1 Número de bytes usado = $19 + 1 \times$ (caracteres en la ecuación)

*2 Número de bytes usados = $8 + 4 \times$ (número de interruptores de tiempo)

*3 Número de bytes usados depende del ítem visualizado..

Tabla 10.5: Ítem visualizado y número de bytes usados

Ítem visualizado		Número de bytes, serie $\alpha 2$
Caracteres		$16 + 1 \times$ (Cada carácter visualizado)
Análogo, valor FB	valor	17
	Gráfico	23
Hora, Fecha		14
Interruptor de tiempo		17

*4 Número de bytes usados = $30 + 1 \times$ (caracteres en la ecuación)

*5 Número de bytes usados = $12 + 1 \times$ (Caracteres en dirección de correo electrónico)

*6 Número de bytes usados = $32 + 3 \times$ (Número de pantalla)

11. Diagnósticos



Advertencia

- No toque el terminal mientras está energizado. Esto podría causar el malfuncionamiento del equipo o un golpe eléctrico.



Advertencia

- Suministre la energía nominal correcta..
Este producto se podría dañar o causar un incendio cuando el suministro de energía es diferente al valor nominal.
- Cuando coloque los cables del suministro de corriente alterna, conecte correctamente "L (Cargado)" del suministro de energía al "terminal L" de la unidad principal y conecte "N (Neutral)" al "terminal N" de la unidad principal.
Una eventual conexión errónea causará un golpe eléctrico, daños en el controlador o un incendio.
- Conecte el cable "L (Cargado)" de la fuente de poder al terminal de entrada de la unidad de CA.
- Cuando coloque los cables la unidad de corriente directa, conecte el polo "+" de la fuente de poder al "terminal +" de la unidad principal y conecte el polo "-" de la fuente de poder al "terminal -".
Una eventual conexión errónea causará un golpe eléctrico, daños en el controlador o un incendio.



Notas sobre el uso

- El controlador de la serie $\alpha 2$ debe usarse con cada casete de memoria, cable de comunicación o cubierta de conector instalado. De lo contrario, el zócalo expuesto puede causar daños al controlador o un choque eléctrico al operador.
- Use el puerto de expansión o la cubierta del conector durante el suministro de energía al controlador de la serie $\alpha 2$.
La instalación inapropiada del equipo puede causar daños en el controlador o un golpe eléctrico.

11.1 IError de estado de entrada

Coloque el controlador $\alpha 2$ en el modo Parada. Conecte la energía al equipo que está conectado a los terminales de entrada y compruebe si se visualiza correctamente el estado de entrada. Si no se visualiza correctamente, revise los siguientes puntos.

En el Manual de programación $\alpha 2$ pueden encontrarse informaciones adicionales sobre la visualización de estado.



Notas sobre el uso

No conecte alambres con un extremo soldado a los terminales de los sistemas $\alpha 2$. El contacto sería insuficiente y existe la posibilidad que el alambre se corte.

- 1) Verifique el cableado para la fuente de poder y las entradas.
- 2) Verifique si el equipamiento usado para las entradas corresponde a las especificaciones en la sección 2.3 de este manual.

11.2 Error de estado de salida

Coloque el controlador $\alpha 2$ en modo Parada. Fuerce las salidas ON/OFF (conectada / desconectada) y verifique el funcionamiento de las salidas. Verifique que el programa fue escrito para realizar los resultados deseados.

En el Manual de programación $\alpha 2$ pueden encontrarse informaciones adicionales sobre la operación ON/OFF (conectada / desconectada) forzada.



Notas sobre el uso

Ejecute las operaciones ON/OFF forzadas sólo después de haber verificado detalladamente que es seguro hacerlo. Si se ejecutan inapropiadamente las operaciones ON/OFF forzadas, se podrían producir daños en la máquina o el controlador o problemas de seguridad.

Si no se toman las precauciones apropiadas, podrían ocurrir daños en el equipamiento o fallas de la máquina.

- 1) Verifique el cableado para la fuente de poder y las salidas.
- 2) Verifique si el equipamiento usado para las salidas corresponde a las especificaciones en la sección 4.4 de este manual.

11.3 EI MENÚ PRINCIPAL no se visualiza

Para acceder al Menú principal, se ha de operar la tecla de menú. Presione las teclas "OK" y "ESC" al mismo tiempo. Si la tecla para seleccionar el menú no está programada, use el software del programa para el modo de Parada o haga la operación de Parada forzada.

No se puede acceder al menú Principal a través de las teclas. No obstante, el menú principal aparecerá mediante la conexión de la fuente de poder y presionando simultáneamente las teclas "OK + ESC" durante la energización.



Advertencia

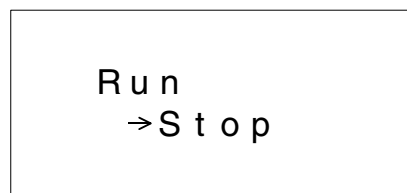
Ejecute la operación de parada forzada sólo después de haber verificado detalladamente que es seguro hacerlo. Si se ejecutan inapropiadamente las operaciones ON/OFF forzadas, se podrían producir daños en la máquina o el controlador, o problemas de seguridad.

Si no se toman las precauciones apropiadas, podrían ocurrir daños en el equipamiento o fallas de la máquina.

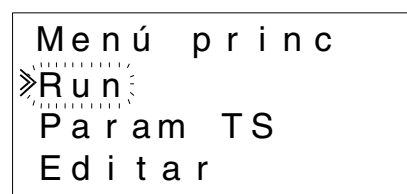
Operación de parada forzada

- 1) Desconecte el suministro de energía de la serie $\alpha 2$.
- 2) Vuelva a conectar el suministro de energía y presione las teclas "OK" y "ESC" simultáneamente.
Se visualiza la pantalla que se muestra a la derecha..

La opción para colocar el controlador en modo Parada estará disponible durante aproximadamente cinco segundos. Presione la tecla "OK" para ingresar el modo Parada. Si no se presiona ninguna tecla, el controlador regresará por defecto al modo de Funcionamiento.



- 3) Presione la tecla "ESC".
Se visualiza el "Menú Princ" que se muestra a la derecha..



11.4 No se puede ingresar al modo Funcionamiento

Cuando el sistema $\alpha 2$ no conmuta al modo Funcionamiento, verifique lo siguiente.

- 1) Se visualiza en pantalla el mensaje "Entrada Error" o "Salida Error".
El programa incluido en la casete de memoria tiene más puntos de entrada y/o salida que los admitidos en el cuerpo del controlador.
 - a) Al crear el programa mediante el software de programación.
El software de programación verifica el contenido del programa y el modelo.
Escriba el programa en el controlador del sistema $\alpha 2$ y no usa una casete de memoria.
 - b) Al crear el programa con las teclas del panel frontal del sistema $\alpha 2$
Retire la casete de memoria y vuelva a crear el programa.
 - c) Instale la casete de memoria en el modelo de 24 puntos del sistema $\alpha 2$.
 - d) Escriba el programa en otro sistema $\alpha 2$ que sea del mismo modelo que él en donde se usará el programa.
- 2) Hay un error en los datos del programa.
Si no se puede visualizar el programa con "Editar" en el "Menu princ", es posible que los datos del programa fueron dañados. Cámbiese del "Menu princ" al modo Funcionamiento después de haber borrado el programa.
 - a) Vuelva a crear el programa y cámbiese al modo Funcionamiento.
 - b) Consultar un distribuidor de Mitsubishi cuando no pueda conmutarse al modo RUN.

11.5 Datos del reloj incorrectos

Confirme el siguiente ítem.

- 1) Se perdieron los datos del reloj.
Después de aproximadamente 20 días sin suministro de energía, o si el sistema $\alpha 2$ está expuesto a temperaturas mayores de 25°C, se perderán los datos del reloj. En este caso se ha de volver a programar los datos del reloj.
En el Manual de programación $\alpha 2$ pueden encontrarse informaciones adicionales sobre la programación del reloj.
- 2) El horario puede presentar leves divergencias.
La exactitud de los datos de hora es de ± 5 segundos por día. Si aumenta el error en los datos de hora, use la función de corrección.
En el Manual de programación $\alpha 2$ pueden encontrarse informaciones adicionales sobre la programación de la función de corrección.

11.6 En el visualizador aparece "?"

El signo "?" se visualiza cuando se presiona una tecla que es inaceptable según los datos de la pantalla. Confirme las opciones aceptables y presione la tecla apropiada..



ESP

11.7 No se puede usar una tecla de operación

Si el sistema $\alpha 2$ no acepta una operación a través del teclado, verifique la movilidad de las teclas de operación de acuerdo con los siguientes procedimientos. Si se pueden ejecutar los pasos expuestos en las instrucciones (1) - (5) siguientes, las teclas funcionan correctamente. Verifique si se utilizan la(s) tecla(s) en el programa.

- 1) Coloque el controlador en modo Parada. Si no puede ingresar al modo Parada, consulte al distribuidor de Mitsubishi.



Advertencia

Ejecute la operación de parada forzada sólo después de haber verificado detalladamente que es seguro hacerlo. Si se ejecutan inapropiadamente las operaciones ON/OFF forzadas, se podrían producir daños en la máquina o el controlador, o problemas de seguridad.

Si no se toman las precauciones apropiadas, podrían ocurrir daños en el equipamiento o fallas de la máquina.

Operación de parada forzada

- a) Desconecte el suministro de energía de la serie $\alpha 2$.
- b) Vuelva a conectar el suministro de energía y, al mismo tiempo, presione las teclas "OK" y "ESC" simultáneamente.

Se visualiza la pantalla que se muestra a la derecha..

La opción para colocar el controlador en modo Parada estará disponible durante aproximadamente cinco segundos. Presione la tecla "OK" para ingresar el modo Parada. Si no se presiona ninguna tecla, el controlador regresará por defecto al modo de Funcionamiento.

```
Run
->Stop
```

- c) Presione la tecla "ESC".
Se visualiza el "Menú Princ" que se muestra a la derecha..

```
Menú princ
>>Run
Param TS
Edit ar
```

- 2) Desplácese por el menú Principal con la tecla "▲" o la tecla "▼".
Si no se visualiza, consulte a un distribuidor de Mitsubishi.

- 3) Mueva el cursor a "PonerHora" mediante la tecla "▲" o la tecla "▼" y presione dos veces la tecla "OK".
Se visualiza la pantalla "PonerHora" que se muestra a la derecha.
Si no se visualiza, consulte a un distribuidor de Mitsubishi.

```
PonerHora
mm / dd / yyyy
09 / 06 / 2001
13 : 55 Jue
```

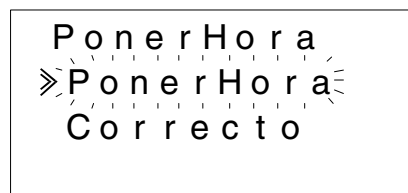
- 4) Intente cambiar los datos de mes/año mediante la tecla “◀” la tecla “▶”, la tecla “+” y la tecla “-”.

Si la edición no es posible, consulte a un distribuidor de Mitsubishi.

- 5) Presione la tecla "ESC"..

Se visualiza la pantalla que se muestra a la derecha y la operación de (4) se invalida.

Si no se visualiza la pantalla correcta, consulte a un distribuidor de Mitsubishi.



11.8 Visualizador de cristal líquido incorrecto

Verifique los siguientes ítems.

- 1) Se visualiza el carácter invertido y la pantalla completa está negra.
Si este error ocurre, consulte a un distribuidor de Mitsubishi. El visualizador del controlador α 2 está dañado.
- 2) Se muestra una inesperada configuración del visualizador
Verifique los siguientes puntos en el programa si el visualizador no aparece como se espera.
 - a) Ajuste la posición en que comienza cada una de las funciones del visualizador. Puede que dos pantallas separadas tengan un área que se sobrepone al otro y causa así un resultado no deseado.
 - b) No se puede visualizar el carácter
 - Verifique si la clavija de entrada al bloque de función del visualizador está conectada.
 - Verifique si existe un conflicto con otra pantalla.

11.9 La casete de memoria no funciona correctamente

Si la casete de memoria no está siendo reconocida o las funciones de transferencia de casete no están operativas, revise los siguientes ítems.



Notas sobre el uso

- Use la casete memoria, el cable de telecomunicación o la cubierta del conector durante el suministro de energía al controlador de la serie α 2.
La instalación inapropiada del equipo puede causar daños en el controlador o un golpe eléctrico.
- 1) La casete de memoria ha de ser instalada correctamente. Refiérase a la sección 6.1 sobre el correcto procedimiento de instalación.
 - 2) Se visualiza el mensaje "Proteg.SW Error".
La protección de datos (Proteg.SW) está configurada.
Refiérase al Manual de Programación α 2 sobre el procedimiento para desbloquear esta configuración.

3) Se visualiza el mensaje "Error de contraseña".

La contraseña está configurada. Vuelva a intentar a inhabilitar la contraseña.

Refiérase al Manual de Programación $\alpha 2$ sobre el procedimiento para eludir la contraseña.

Con la opción "BorraProg" se puede borrar la contraseña, el programa y todas las configuraciones del menú Principal. El controlador volverá a las configuraciones por defecto de fábrica.

Refiérase al Manual de Programación $\alpha 2$ sobre el procedimiento para usar la operación "BorraProg".

11.10 No se puede comunicar con el módulo maestro de la interfaz AS

Verifique los siguientes ítems.



Notas sobre el uso

- Use el puerto de expansión o la cubierta del conector durante el suministro de energía al controlador de la serie $\alpha 2$.
La instalación inapropiada del equipo puede causar daños en el controlador o un golpe eléctrico.
- 1) Verifique si el suministro de energía de la interfaz AS es adecuado.
 - 2) Verifique si el bit de control N1 está desconectado. Use uno de los siguiente métodos para cambiar su estado si fuese necesario.
 - a) Si no se usa en el programa
Fuerce el estado a Desconectado, refiérase al Manual de programación $\alpha 2$ sobre el procedimiento para forzar On/Off (conectado/desconectado).
 - b) Si se usa a través del programa
Cambie el programa o manipule las entradas de tal modo que el bit de control N1 se desconecte.
 - 3) Verifique si la dirección de esclavo está correcta.
Programa la dirección de esclavo desde el módulo maestro de la interfaz AS.
Refiérase a la sección 9.4.1 del manual y el módulo maestro de la interfaz AS sobre el método de configuración de la dirección.
 - a) La dirección de otro esclavo y la dirección de AL2-ASI-BD se sobreponen.
Programa la dirección de tal modo que no se produzca un conflicto.
 - b) La dirección de esclavo es 0.
Programa la dirección válida de esclavo desde el módulo maestro de la interfaz AS.
 - 4) AL2-ASI-BD no es un esclavo activo por el lado del módulo maestro.
Verifique la configuración del módulo maestro.
Refiérase al manual del módulo maestro sobre el método de confirmación.

11.11 No se puede comunicar con AL-PCS/WIN-E

Verifique los siguientes ítems.



Notas sobre el uso

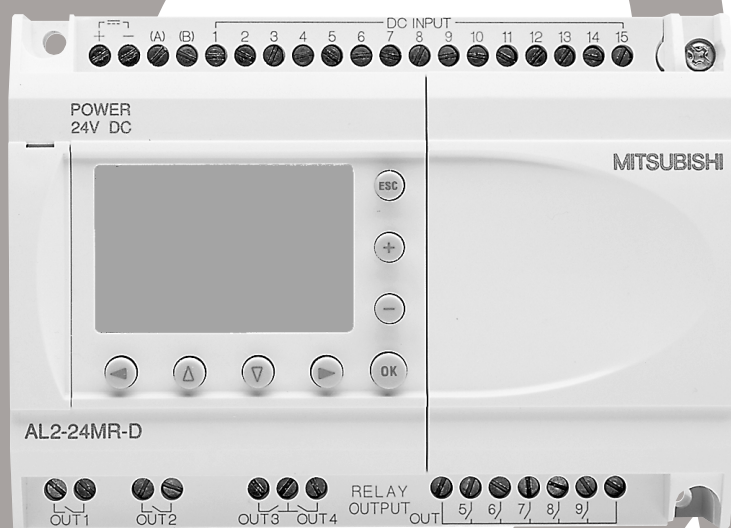
Use la casete de memoria y el cable de comunicación o la cubierta del conector en tanto está instalado sin falta.

Causa golpe eléctrico y la avería.

- 1) Verifique la conexión del cable (AL-232CAB).
Refiérase a la sección 7.2 sobre el método de conexión.
- 2) Verifique la fuente de poder suministrada para la serie $\alpha 2$.
Refiérase a la sección 4 sobre el alambrado para la fuente de poder.
Además, refiérase a la sección 2.2 sobre la especificación de la fuente de poder.
- 3) Verifique si el puerto COM del computador personal al cual está conectada la configuración, coincide con el cable (AL-232CAB) del "puerto de comunicación" configurado por el software de programación. Hágalos coincidir si no fuese así. Hágalos coincidir.
- 4) Cuando se hace mantenimiento a distancia mediante un módem
 - a) Verifique que la configuración del módem está correcta por el lado de la serie $\alpha 2$.
Refiérase al Manual de programación $\alpha 2$ y la sección 7.3 sobre la configuración del módem conectado por el lado de la serie $\alpha 2$.
 - b) Verifique la conexión del cable efectuada por el cliente.
Refiérase a la sección 7.3.2 sobre la conexión del cable.
 - c) Verifique la configuración del módem por el lado del software de programación.
Verifique si el disco de configuración de un módem de accesorio está correctamente instalado.

MEMO

ESP



SWE

α 2-serien

Maskinvaruhandbok

Förord

- Den här handboken innehåller text, scheman och förklaringar, som vägleder användaren till korrekt installation och säker användning av styrenheterna i α2-serien. Läs och förstå den innan du installerar och använder enheten.
- Vid minsta tveksamhet rörande installation av α2-styrenheten, låt behörig elektriker utföra arbetet. Vid tveksamhet rörande drift och användning av styrenheten, kontakta närmaste Mitsubishi Electric-återförsäljare.
- Den här handboken kan komma att ändras utan föregående meddelande.

Q2-serien

Maskinvaruhandbok

Handbokens nummer: JY992D97301

Revision: B

Datum: 2002-06

SWE

FAXFORMULÄR

Mitsubishi är överallt känt för att ständigt driva den tekniska utvecklingen och vidga möjligheterna för industriautomation. Vad användaren inte alltid tänker på, är den omsorg vi ägnar dokumentationen. Kommentarer och förslag från användarna är en värdefull hjälp i arbetet att utveckla allt bättre dokumentation. Därför finns den här sidan. Den är till för att du skall kunna fylla i dina synpunkter och faxa dem till oss. Vi ser fram emot att höra av dig.

Faxnummer:		Namn:
Mitsubishi Electric....	
USA	(01) 847 478 2253	Företag:.....
Australien	(02) 638 7072
Tyskland	(0 21 02) 4 86 11 20	Adress:.....
Spanien	(0 34) 93 589 1579
Storbritannien	(01707) 278 695	

Markera tillämplig ruta

I vilket skick levererades handboken?	<input type="checkbox"/> Bra	<input type="checkbox"/> Obetydligt skadad
	<input type="checkbox"/> Oanvändbar	
Kommer du förvara handboken i pärm eller mapp?	<input type="checkbox"/> Ja	<input type="checkbox"/> Nej
Hur uppfattar du handbokens upplägg?	<input type="checkbox"/> Välstrukturerat och lättillgängligt	
	<input type="checkbox"/> Svårtillgängligt	
Är förklaringarna lätta att förstå?	<input type="checkbox"/> Lättbegripliga	<input type="checkbox"/> Delvis svårbegripliga
	<input type="checkbox"/> Obegripliga	

Vilka förklaringar var mest svårbegripliga:

.....

Är några scheman oklara? Ja Nej

Ange i så fall vilka:

Hur uppfattar du handbokens layout? Bra Godtagbar Dålig

Vilken punkt tycker du är viktigast att förbättra?

.....

.....

Är det lätt att med hjälp av innehållsförteckningen och sökordsregistret finna den information du söker? Beskriv om möjligt hur du tycker det fungerat.....

.....

.....

Har du några andra kommentarer eller förslag rörande Mitsubishis handböcker?

.....

.....

.....

Tack för din medverkan. Vi hoppas du kommer att finna både produkten och handboken lätta att använda.

SWE

Riktlinjer för användarsäkerhet och skydd av utrustning

I den här handboken finns anvisningar för hur du använder styrenheterna i α2-serien. Handboken vänder sig i första hand till utbildad och kompetent personal. Sådan personal definieras enligt nedan.

- a) Tekniker som är ansvariga för planering, konstruktion och tillverkning av automatisk utrustning i vilken utrustningen som beskrivs i denna handbok används, och som har för arbetet erforderlig kompetens och behörighet enligt lokala och nationella bestämmelser. Sådana tekniker skall vara fullt insatta i alla säkerhetsfrågor rörande automatisk utrustning.
- b) Driftsättnings- och servicetekniker med för sin arbetsuppgift erforderlig kompetens och behörighet enligt lokala och nationella bestämmelser. Sådana tekniker skall dessutom ha kompetens för användning och underhåll av den kompletta produkten. Detta innebär också att vara helt insatt i all dokumentation för den aktuella produkten. Allt underhåll skall utföras enligt gällande säkerhetsregler och -praxis.
- c) All personal som använder den kompletta utrustningen och som har erforderlig utbildning för att använda den på ett säkert och kontrollerat sätt, i enlighet med gällande säkerhetsregler och -praxis. Sådana operatörer skall dessutom vara helt insatta i den dokumentation som gäller drift av den kompletta utrustningen.

Obs: Obs: Termen "komplett utrustning" avser av tredje part tillverkad utrustning, i vilken produkterna som beskrivs i denna handbok ingår.

Symboler som används i handboken

I den här handboken används symboler för att markera information som rör användarens personliga säkerhet och skydd av utrustningen. Det är viktigt att du läser och förstår de anvisningar som ledsagas av dessa symboler. De olika symbolerna är sammanställda nedan, tillsammans med en kort förklaring av deras respektive betydelse.

Maskinvaruvarningar



- 1) Denna symbol betyder att den aktuella faran **KOMMER ATT** orsaka person- och maskinskada.



- 2) Denna symbol betyder att den aktuella faran **KAN KOMMA ATT** orsaka person- och maskinskada.



- 3) Denna symbol markerar sådant som kan kräva ytterligare förklaring.

Programvaruvarningar



- 4) Denna symbol betyder att särskild uppmärksamhet eller försiktighet krävs vid användning av det aktuella programelementet.



- 5) Denna symbol markerar sådant som programanvändaren behöver vara särskilt medveten om.



- 6) Denna symbol markerar sådant som kan kräva ytterligare förklaring.

- Mitsubishi Electric är under inga omständigheter ersättningskyldigt eller ansvarigt för följdskador som kan uppstå till följd av installation eller användning av utrustningen.
- Alla exempel och scheman i handboken är avsedda endast som hjälp att förstå texten, inte för att garantera utrustningens funktion. Mitsubishi Electric är inte ansvarigt för följderna av verklig användning av utrustningen, baserad på dessa åskådningsexempel.
- På grund av de mycket skiftande tillämpningsmöjligheterna för den här utrustningen, måste du alltid själv kontrollera att utrustningen är lämplig i varje enskilt fall.

Lista över handböcker

	Handbokens benämning	Handbokens nummer	Beskrivning
<input checked="" type="radio"/>	α2 Maskinvaruhandbok (den här handboken)	JY992D97301	I den här handboken finns anvisningar för anslutning och installation av samt tekniska data för styrenheterna i α2-serien.
<input checked="" type="radio"/>	α2 Programming Manual <endast engelska>	JY992D97101	I den här handboken finns anvisningar och förklaringar rörande styrenheterna i α2-serien.
<input type="radio"/>	α Software Manual <endast engelska>	JY992D74001	I den här handboken finns anvisningar för användning av programmeringsverktyget AL-PCS/WIN-E.
<input type="radio"/>	α2 Series Communication User's Manual <endast engelska>	JY992D97701	I den här handboken finns anvisningar för inställning, meddelanden, bittilldelningar etc. för kommunikation med styrenheterna i α2-serien.
<input type="checkbox"/>	α2 Installationshandbok	JY992D97502	I den här handboken finns anvisningar för maskinvaruinstallation av styrenheterna i α2-serien.
<input type="checkbox"/>	AL2-4EX, AL2-4EX-A2, AL2-4EYR, AL2-4EYT Installationshandbok	JY992D97402	I den här handboken finns anvisningar för maskinvaruinstallation av utbyggnadsmodulerna AL2-4EX, AL2-4EX-A2, AL2-4EYR och AL2-4EYT.
<input type="checkbox"/>	AL2-EEPROM-2 Maskinvaruhandbok	JY992D96801	I den här handboken finns anvisningar för maskinvaruinstallation av AL2-EEPROM-2.
<input type="checkbox"/>	AL-232CAB Maskinvaruhandbok	JY992D76002	I den här handboken finns anvisningar för maskinvaruinstallation av AL-232CAB.
<input type="checkbox"/>	AL2-GSM-CAB Maskinvaruhandbok	JY992D97202	I den här handboken finns anvisningar för maskinvaruinstallation av AL2-GSM-CAB.
<input type="checkbox"/>	AL-ASI-BD, AL2-ASI-BD Maskinvaruhandbok	JY992D81402	I den här handboken finns maskinvaruanvisningar för anslutning och installation av samt tekniska data etc. för AL-ASI-BD och AL2-ASI-BD.

Se dessa handböcker.

Se dessa handböcker vid behov.

Se dessa handböcker vid behov. Deras innehåll ingår också som del i α2 Maskinvaruhandbok.

Innehållsförteckning

Riktlinjer för användarsäkerhet	SWE-v
1. Inledning	SWE-1
1.1 Egenskaper och funktioner hos α2-serien	SWE-2
1.2 Modeller	SWE-3
1.3 Mått och benämningar	SWE-4
1.4 Systemkonfiguration	SWE-5
1.5 Kompatibla programmeringsgränssnitt	SWE-5
2. Tekniska data	SWE-7
2.1 Strömförsörjningskrav	SWE-7
2.2 Ingångsdata	SWE-8
2.3 Data för utgångar	SWE-10
2.4 Allmänna data	SWE-11
3. Installation	SWE-13
3.1 Installations- och monteringsanvisningar	SWE-13
3.2 Montering av huvudenheten på DIN-skena	SWE-14
3.2.1 Montering	SWE-14
3.2.2 Demontering	SWE-14
3.3 Direktmontering av huvudenheten	SWE-15
3.4 Installation av utbyggnadsmodul	SWE-16
4. Anslutning och kablage	SWE-17
4.1 Installations- och kablageanvisningar	SWE-17
4.2 Ledararea	SWE-18
4.3 Strömförsörjning	SWE-19
4.4 Växelströmsförsörjning och ingångskablage	SWE-20
4.4.1 Växelströmsförsörjning och ingångskablage	SWE-20
4.4.2 Ingångskablage, AL2-4EX-A2	SWE-20
4.5 Likströmsförsörjning och ingångskablage	SWE-21
4.5.1 Kretsschema för likströmsförsörjning och source-ingång (gemensam +)	SWE-21
4.5.2 Kretsschema för source-ingångskablage (gemensam +), AL2-4EX	SWE-21
4.5.3 Kretsschema för likströmsförsörjning och sink-ingång (gemensam -)	SWE-22
4.5.4 Kretsschema för sink-ingångskablage (gemensam -), AL2-4EX	SWE-22
4.6 Kretsschema utgångsrelä och transistor	SWE-23
4.6.1 Kretsschema för reläutgång huvudenhet (växelström och/eller likström)	SWE-23
4.6.2 Kretsschema för reläutgång AL2-4EYR (växelström och/eller likström)	SWE-24
4.6.3 Kretsschema för transistorutgång (endast source eller gemensam +), AL2-4EYT	SWE-25
5. Plintlayout	SWE-27
6. AL2-EEPROM-2	SWE-29
6.1 Installation	SWE-30

SWE

7. AL-232CAB	SWE-31
7.1 Inledning	SWE-31
7.1.1 Yttre mått	SWE-31
7.2 Ansluten till AL-232CAB-kabel	SWE-32
8. AL2-GSM-CAB	SWE-35
8.1 Inledning	SWE-35
8.1.1 Yttre mått	SWE-35
8.1.2 Systemkonfiguration med AL2-GSM-CAB	SWE-36
8.2 Installation	SWE-37
8.3 Fjärrunderhåll via modem	SWE-39
8.3.1 Rekommenderade modem	SWE-39
8.3.2 RS-232C rak kabel mellan modem och AL2-GSM-CAB	SWE-39
8.3.3 Modeminställning	SWE-40
9. AL2-ASI-BD	SWE-43
9.1 Inledning	SWE-43
9.1.1 Yttre mått	SWE-43
9.1.2 Systemkonfiguration	SWE-44
9.2 Tekniska data	SWE-44
9.3 Kabelanslutning och Installation	SWE-45
9.3.1 Installation	SWE-45
9.3.2 Anslutning och kablage	SWE-46
9.4 Slavadressinställning och diagnostik	SWE-46
9.4.1 Slavadressinställning	SWE-46
9.4.2 Tillämpliga felkontroller	SWE-46
10. Lista över knappar, systembitar och funktionsblock	SWE-47
10.1 Lista över knappar	SWE-47
10.2 Lista över systembitar	SWE-48
10.2.1 Lista över systembitar	SWE-48
10.2.2 Lista över kontrollbitar	SWE-48
10.3 Lista över funktionsblock	SWE-49
11. Diagnostik	SWE-53
11.1 Ingångsstatusfel	SWE-54
11.2 Utgångsstatusfel	SWE-54
11.3 TOP MENU visas inte	SWE-55
11.4 Det går inte att gå över till driftläge	SWE-56
11.5 Felaktiga klockdata	SWE-56
11.6 Ett frågetecken, ?, visas i teckenfönstret	SWE-56
11.7 Kontrollknapparna fungerar inte	SWE-57
11.8 LCD-fel	SWE-58
11.9 Minneskassetten fungerar inte korrekt	SWE-58
11.10 Kommunikationen med AS-gränssnittets mastermodul fungerar inte	SWE-59
11.11 Kommunikationen med AL-PCS/WIN-E fungerar inte	SWE-60

1. Inledning

α2-serien är en lättanvänd serie styrenheter för tillämpningar i bostäder, kontor och industri. Styrenheten till/från-reglerar den anslutna utrustningen enligt funktionsblockprogrammet. Förklaringar till anvisningarna och driften av huvudenheten finns i programmeringshandboken för α2. Programmeringsgränssnittet AL-PCS/WIN-E förklaras i α2-seriens programvaruhandbok.

Användningsområden

α2-serien är avsedd för automatisering av till exempel de nedan uppräknade systemen.

- Belysningssystem, luftkonditioneringssystem och vattensystem.
- Portöppning och portstängning.
- Lågkritiska säkerhetssystem.
- Utfodring av husdjur och sällskapsdjur.
- Övervakning av kreaturshagar och växthus.

α2-serien är emellertid inte avsedd för de nedan uppräknade tillämpningarna. Kontakta en Mitsubishi-återförsäljare för mer information.

- System med höga tillförlitlighetskrav, t.ex. kärnkraftverk, järnvägar, flygtrafiksystem, fordon, förbränningsanläggningar och medicinsk utrustning.
- System vars säkra funktion är livsavgörande.

1.1 Egenskaper och funktioner hos α2-serien

1) Visning av meddelanden och funktionsblockdata.

α2-serien kan visa driftstatus och larmmeddelanden i ett LCD-teckenfönster. Den kan visa meddelanden enligt nedan via användarteckenfönstrets funktionsblock. De visade timer- och räknarvärdena kan ändras i läge RUN.

- Antal tecken i LCD-teckenfönstret: 12 tecken × 4 rader.
- Visade poster: Meddelande, aktuellt eller inställt värde för timer eller räknare, analoga värden etc.

2) Programmering i dator är snabb och enkel.

Med programmeringsgränssnittet AL-PCS/WIN-E för Windows kan du skriva och spara program. Programmering kan ske i ett grafiskt gränssnitt där du med hjälp av linjer förbinder olika funktionsblock på en programmeringsskärm bild.

Det går också att programmera direkt med hjälp av knappsatsen på α2:s frontpanel.

3) Överföring av LCD-bilder via GSM-modem.

Med hjälp av e-post kan styrenheterna i α2-serien skicka LCD-bilden via GSM-modem. Användaren kan övervaka tillämpningens status via meddelanden skickade som e-post via GSM-modem.

4) Stöder datorlänkar via dedicerat protokoll.

α2-serien stöder datorlänkar (dedicerat protokoll). Användarspecifika tillämpningsprogram kan via datorlänk (dedicerat protokoll) ändra schemalagda data och parametrar i funktionsblock samt användas för statusövervakning av tillämpningen.

5) Kraftfull klockfunktion

Veckotimern och almanackan har många inställningsmöjligheter som kan användas för kraftfulla tidsberoende styrfunktioner.

6) Analog ingång, 0–10 V/0–500.

Likspänningsingången på α2-serien klarar signaler i intervallet 0–10 V med upplösningen 0–500.

7) Höghastighetsräknare, max. 1 kHz.

α2-serien har höghastighetsräknare (max. 2 decimaler) när AL2-4EX (EI1, EI2) används.

8) Kapacitet för hög utgångsström

Tabell 1.1: Kapacitet för hög utgångsström

	Utgångstyp	Maximiström
Relä	AL2-14MR-*: O01 - O06 AL2-24MR-*: O01 - O04	8 A/gemensam
	AL2-24MR-*: O05 - O09 AL2-4EYR: EO1 - EO4	2 A/kontakt (4 A/gemensam)
Transistor	AL2-4EYT: EO1 - EO4	2 A/kontakt

9) Inbyggt EEPROM.

Ett inbyggt EEPROM eliminerar behovet av batterireserv för datalagring.

10) Stöder sex språk.

α2-serien stöder sex språk, engelska, franska, tyska, spanska, italienska och svenska. Du väljer språk i TOP MENU.

1.2 Modeller

Tabell 1.2: Huvudenhet

Modell	Strömförsörjning	Ingång		Utgång		Mått mm	Vikt kg
		Typ	Antal	Typ	Antal		
AL2-14MR-A	100–240 V~	100–240 V~	8	Relä	6	124,6 x 90 x 52	0,30 ^{*1}
AL2-14MR-D	24 V=	24 V= Sink/Source	8	Relä	6		0,30 ^{*1}
AL2-24MR-A	100–240 V~	100–240 V~	15	Relä	9		0,35 ^{*1}
AL2-24MR-D	24 V=	24 V= Sink/Source	15	Relä	9		0,30 ^{*1}

*1 Utan utbyggnadsmoduler.

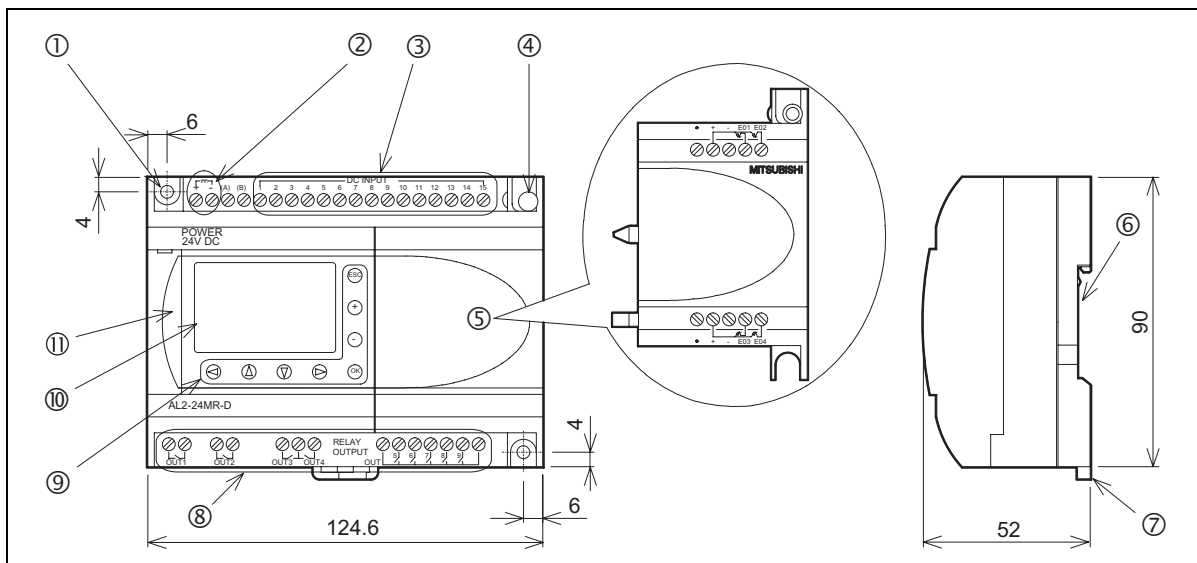
Tabell 1.3: Utbyggnadsmodul

Modell	Ingång		Utgång		Vikt kg
	Typ	Antal	Typ	Antal	
AL2-4EX-A2	220–240 V~	4	—		0,05
AL2-4EX	24 V=, Sink/Source	4	—		
AL2-4EYR	—		Relä	4	
AL2-4EYT	—		Transistor	4	

SWE

1.3 Mått och benämningar

Figur 1.1: Benämningar

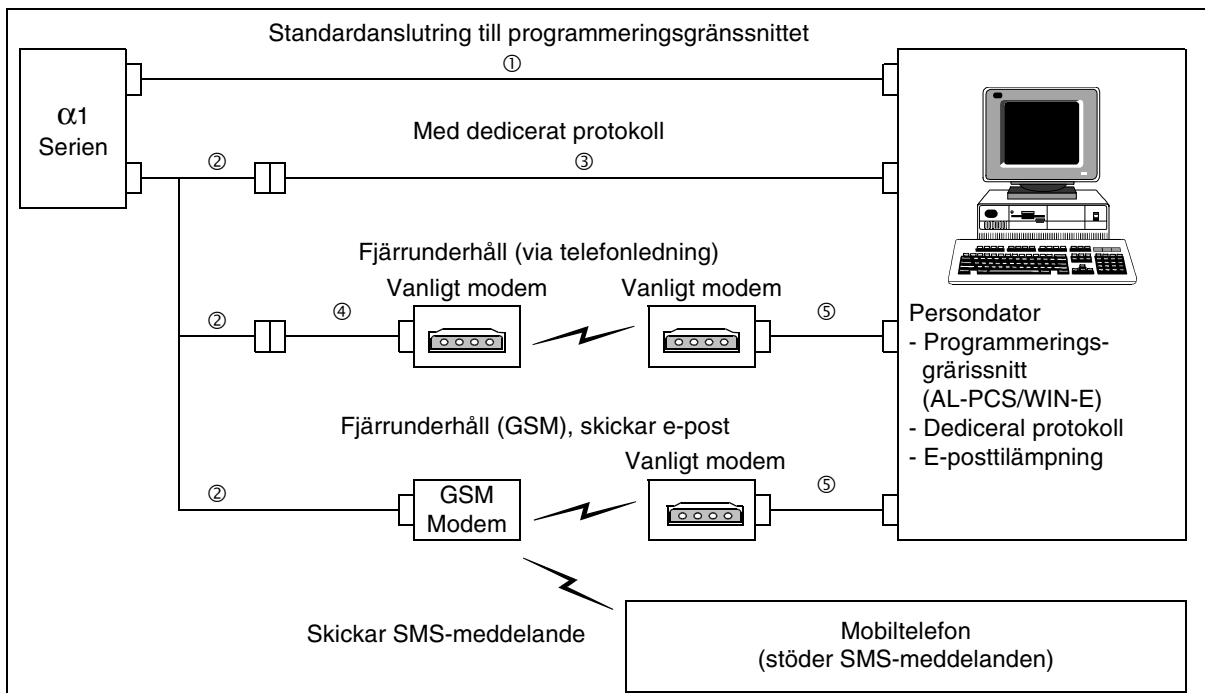


Tabell 1.4: Benämningar

Pos.	Benämning
1	Monteringshål, $\phi 4,2$ mm
2	Elanslutning
3	Ingångar
4	Fästsruvar för utbyggnadskåpa eller utbyggnadsmodul
5	Utbyggnadskåpa eller utbyggnadsmodul
6	Spår för montering på DIN-skena (DIN-skenans bredd 35mm <DIN EN 50022>)
7	Fästen för montering på DIN-skena
8	Utgångar
9	Funktionsknappar
10	LCD-teckenfönster
11	Programmeringsportskydd

1.4 Systemkonfiguration

Figur 1.2: Systemkonfiguration



Tabell 1.5: Systemkonfiguration

Post	Kabel
1	AL-232CAB
2	AL2-GSM-CAB
3	RS-232C korskabel*1
4	RS-232C rak kabel för modem*1
5	RS-232C rak kabel för modem (specificerad av modemtillverkaren)

*1 Ytterligare information finns i kapitel 8.

1.5 Kompatibla programmeringsgränssnitt

α2-serien stöds av programmeringsgränssnittet (AL-PCS/WIN-E) V2.00 eller senare. Äldre versioner än V2.00 kan inte kommunicera med α2-serien.

SWE

Anteckningar

2. Tekniska data

2.1 Strömförsörjningskrav

Tabell 2.1: Strömförsörjningskrav

Beskrivning	Beteckning	Tekniska data
Strömförsörjning	AL2-***-A	100–240 V~, +10 % -15 %, 50/60 Hz
	AL2-***-D	24V=, +20 % – 15 %
Max. kortvarigt spänningsbortfall	AL2-***-A	10 ms
	AL2-***-D	5 ms
Startström	AL2-***-A, 240 V~ (120 V~)	≤ 6,5 A (3,5 A)
	AL2-***-D, 24 V=	≤ 7,0 A
Maximal effektförbrukning	AL2-14MR-A, 264 V~	5,5 W
	AL2-14MR-D, 28,8 V=	7,5 W
	AL2-24MR-A, 264 V~	7,0 W
	AL2-24MR-D, 28,8 V=	9,0 W
Typisk effektförbrukning (utan specialanslutningsmoduler)	AL2-14MR-A, 240 V~	I/O alla Till - 4,5 W, I/O alla Från - 2,0 W
	AL2-14MR-A, 120 V~	I/O alla Till - 3,5 W, I/O alla Från - 1,5 W
	AL2-14MR-D, 24 V=	I/O alla Till - 4,0 W, I/O alla Från - 1,0 W
	AL2-24MR-A, 240 V~	I/O alla Till - 5,5 W, I/O alla Från - 2,5 W
	AL2-24MR-A, 120V~	I/O alla Till - 4,5 W, I/O alla Från - 2,0 W
	AL2-24MR-D, 24 V=	I/O alla Till - 5,0 W, I/O alla Från - 1,0 W

SWE

2.2 Ingångsdata

Tabell 2.2: Data för växelspanningsingång

Beskrivning	Data för växelspanningsingång		
	Huvudenhet		AL2-4EX-A2
	I01-I08	I09-I15	EI1-EI4
Ingående spänning	100–240 V~, +10 % –15 %, 50/60 Hz		220–240 V~, +10 % – 15 %, 50/60 Hz
Ingående ström	0,13 mA/120 V~ ^{*1} 0,25 mA/240 V~ ^{*1}	0,15 mA/120 V~ ^{*1} 0,29 mA/240 V~ ^{*1}	7,5 mA/240 V~ 50 Hz 9,0 mA/240 V~ 60 Hz
Ingångsimpedans	≥ 800 kΩ		32 kΩ 27 kΩ
Från → Till/Till → Från	≥ 80 V / ≤ 40 V		≥160 V / ≤ 40 V
Svarstid	Från → Till	35-85 ms/120 V~ 25-55 ms/240 V~	
	Till → Från	35-85 ms/120 V~ 50-130 ms/240 V~	
Isolationskrets	Ingen		Optokopplare
Driftindikering	LCD-teckenfönster		

*1 Läckström från sensorer anslutna till ingångarna kan vara tillräcklig för att slå till styrenheten. Använd inte tvåtrådsensorer.

Tabell 2.3: Data för likspänningsingång

Beskrivning			Sink (gemensam -)	Source (gemensam +)
Ingående spänning			24 V=, +20 % -15 %	24 V=, +20 % -15 %
Ingående ström	Huvudenhet	I01-I08	5,5 mA, 24V=	6,0 mA, 24V=
		I09-I15		5,5 mA, 24V=
	AL2-4EX	EI1-EI4	5,4 mA, 24V=	
Från → Till/Till → Från	Huvudenhet	I01-I15	Ström: ≥ 4,7 mA / ≤1,1 mA Spänning: ≤ 4 V / ≥18V	Spänning: ≥18 V / ≤4 V
	AL2-4EX	EI1-EI4	Spänning: ≥ 18 V / ≤ 4 V	Spänning: ≥18 V / ≤ 4 V
Svarstid	Huvudenhet		10–20 ms	
	AL2-4EX ^{*1}		10–20 ms	
Isolationskrets	Huvudenhet		Ingen	
	AL2-4EX		Optokopplare	
Driftindikering			LCD-teckenfönster	

*1 EI1 och EI2 för AL2-4EX kan användas som ingångar till höghastighetsräknare. Svarstiden för ingångar till höghastighetsräknare är dock 0,5 ms eller kortare.

Tabell 2.4: Data för analoga ingångar (Endast enhet av typ AL2-*-D)**

Beskrivning	Data för analoga ingångar
Antal analoga ingångar	8 (I01–I08)
Område för analoga ingångar	0–500
Upplösning	9 bitar, 20 mV (10000/500 mV)
Konverteringshastighet	8 ms
Ingående spänning	0–10 V=
Ingångsimpedans	142 k Ω \pm 5 %
Total noggrannhet	\pm 5 % (0,5 V=)
Offset/förstärkning	Offset = 0 vid 0 V= Förstärkning: 0–10 V= 0–500 Du kan ändra dessa förinställda värden i funktionsblocket OffsetGain
Temperaturavvikelse	\pm 3 LSB

2.3 Data för utgångar

Tabell 2.5: Data för reläutgångar

Beskrivning		Relädata
Maximal omkopplad spänning		Max. 250 V~ respektive max. 30 V=
Maximal resistiv last	AL2-14MR-* (O01 - O06)	8 A/gemensam
	AL2-24MR-* (O01 - O04)	
	AL2-24MR-* (O05 - O09)	2 A/kontakt (4 A/gemensam)
	AL2-4EYR (EO1 - EO4)	2 A/kontakt
Kontaktlivslängd vid resistiv last	AL2-14MR-* (O01 - O06)	100000 cykler vid 8 A/240 V~ eller 24 V=
	AL2-24MR-* (O01 - O04)	
	AL2-24MR-* (O05 - O09)	100000 cykler vid 2 A/240 V~ eller 24 V=
	AL2-4EYR (EO1 - EO4)	
Minimilast		50 mW (10 mA vid 5 V=)
Maximal induktiv last	AL2-14MR-* (O01 - O06)	249 VA (1/3 hk) vid 125 V~, 373 VA (1/2 hk) vid 250 V~
	AL2-24MR-* (O01 - O04)	
	AL2-24MR-* (O05 - O09)	93 VA (1/8 hk) vid 125 V~, 93 VA (1/8 hk) vid 250 V~
	AL2-4EYR (EO1 - EO4)	
Svarstid		≤ 10 ms
Driftindikering		LCD-teckenfönster
Isolationskrets		Relä

Tabell 2.6: Data för transistorutgångar (endast source-typ) på AL2-4EYT

Beskrivning	Transistordata
Maximal omkopplad spänning	5–24 V= (+20 %, -5 %)
Maximal resistiv last	1A per kontakt (8–24 V=), 0,1A per kontakt (5–8 V=)
Minimilast	1,0 mA
Maximal induktiv last	1 A/24 V= (24 W)
Svarstid till/från, från/till (cirka)	≤ 1 ms
Läckström	≤ 0,1 mA/24 V=
Driftindikering	LCD-teckenfönster
Isolationskrets	Optokopplare

2.4 Allmänna data

Tabell 2.7: Drift- och elmiljödata

Beskrivning	Tekniska data
Programmeringsmetod	Funktionsblock
Maximal programstorlek	200 funktionsblock eller 5000 byte
Programminne	Inbyggt EEPROM (inget reservbatteri behövs) eller extern EEPROM-kassett AL2-EEPROM-2 (tillval)
Enhetens drifttidsreserv	20 dygn (25 °C) (med kondensator)
Realtidsklockans (RTC) gångtidsreserv	20 dygn vid (25 °C) (med kondensator)
Realtidsklockans noggrannhet	5 s/dygn (25 °C)
Drifttemperatur	Styrenhetens maskinvara: (-25)–55 °C Styrenhetens teckenfönster: (-10)–55 °C
Förvaringstemperatur	(-30)–70 °C
Vibrationstålighet – direktmontering	Uppfyller IEC 68-2-6, 10–57 Hz: 0,15 mm konstant amplitud 57–150 Hz: 19,6 m/s ² acceleration Svep i X, Y, Z: 10 gånger (80 minuter i vardera riktningen)
Isolationsresistans – montering på DIN-skena	Uppfyller IEC 68-2-6, 10–57 Hz: 0,075 mm konstant amplitud 57–150 Hz: 9,8 m/s ² acceleration Svep i X, Y, Z: 10 gånger (80 minuter i vardera riktningen)
Stöttålighet	Uppfyller IEC 68-2-27: 147 m/s ² acceleration under 11 ms 3 gånger vardera i riktningarna X, Y och Z
Brusokänslighet	1000 Vpp, 1 µs, 30–100 Hz, testat med brussimulator
Luftfuktighet	35–85 % relativ luftfuktighet, icke kondenserande
Genomslagsspänning	3750 V >1 min enligt IEC60730-1 mellan följande punkter: Strömförsörjnings-/ingångsplintar och reläutgångsplintar Reläutgångsplint och reläutgångsplint Alla plintar och DIN 43880 styrenhetsbox eller motsvarande
Isolationsresistans	7 MΩ, 500 V= enligt IEC60730-1 mellan följande punkter: Strömförsörjnings-/ingångsplintar och reläutgångsplintar Reläutgångsplint och reläutgångsplint Alla plintar och DIN 43880 styrenhetsbox eller motsvarande
Funktion	IEC60730-1, Avsnitt 6.4.3 – typ 1C (reläutgång)
Funktion	IEC60730-1, Avsnitt 6.4.3 – typ 1Y (transistorutgång)
Programvaruklass	IEC60730-1, Avsnitt H6.18 – klass A
Styrningens syfte	IEC 60730-1, Avsnitt 2.2 - Elektrisk styrning
Styrenhetens konstruktion	IEC60730-1, Avsnitt 6.15 – integrerad styrenhet
Om styrenheten är elektrisk	IEC60730-1, avsnitt H2.5.7 – Elektronisk styrning
Säkerhetsklass	II
Föroreningsgrad	2
Jordning	Ingen
Elektrisk isolering	Förstärkt primär-/sekundärisolering
Driftmiljö	Fri från korrosiva gaser. Låg dammhalt.

SWE

Tabell 2.7: Drift- och elmiljödata

Beskrivning	Tekniska data
Kapslingsklass	IP 20
Temperatur för kultrycktest	75 °C
EG-direktiv	EMC, LVD
Certifikat	UL/cUL
Intyg om överensstämmelse	TÜV PRODUCT SERVICE
Uppfyller	UL 508* ¹ IEC60730-1* ¹ EN61010-1 EN50081-1* ¹ EN50082-1 EN61000-6-2
LCD-teckenfönster	Teckenfönster med 4 rader om vardera 12 tecken, läge programkörning till/från, lösenordsskydd, bildtabell och funktionsblock under pågående programmering.

*1 AL2-ASI-BD uppfyller inte dessa standarder.

3. Installation

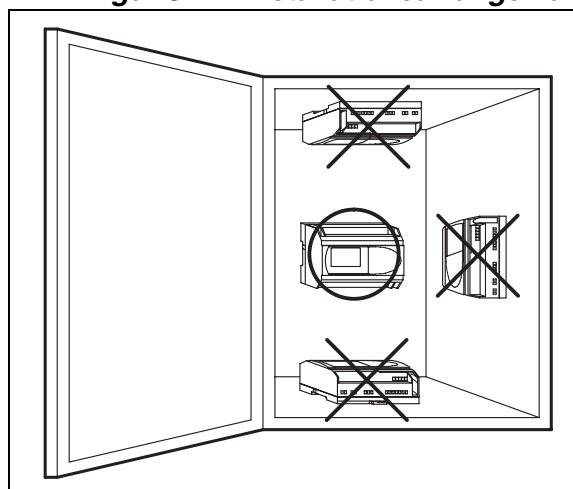
3.1 Installations- och monteringsanvisningar



α2-seriens säkra konstruktion gör det möjligt att installera enheten nästan var som helst, men punkterna nedan måste alltid beaktas.

- Installera inte i områden med mycket damm, ledande damm, korrosiv eller brännbar gas, fukt eller regn, stark värme, kraftiga stötar eller kraftig vibration. Placera inte enheten i vatten eller så att vatten kan läcka in i enheten.
- Se till att inget skräp faller in i enheten under installationsarbetet.
- Installera enheten så långt som möjligt från högspänningskablar och elkraftutrustning.
- Styrenheterna i α2-serien måste installeras i skåp avsedda för montering av enheter som uppfyller DIN 43880, eller i en styrenhetsbox.

Figur 3.1: Installationsarrangemang



- Använd M4-skruv vid montering med skruvhål.
- Anslutningarna måste vara täckta, för att förhindra personskador till följd av beröring av spänningsförande ledare.
- Lämna för ventilationens skull minst 10 mm utrymme mellan övre respektive nedre kant av α2-styrenheten och höljets väggar.
- Ta inte isär α2-styrenheten.

Obs



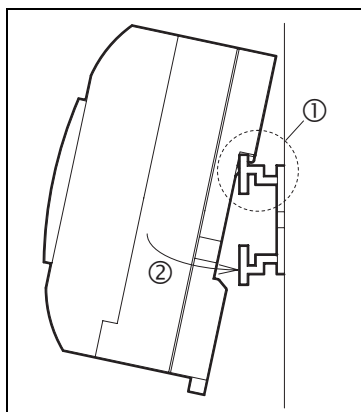
- Se kapitel 6 vid installation eller demontering av AL2-EEPROM-2.
- Se kapitel 7 vid installation eller demontering av AL-232CAB.
- Se kapitel 8 vid installation eller demontering av AL2-GSM-CAB.

3.2 Montering av huvudenheten på DIN-skena

Enheterna kan knäppas fast på 35 mm DIN-skena (DIN EN 50022). För att lossa enheten från skenan igen drar du undan de fjäderbelastade fästena från skenan och lyfter av enheten framåt/uppåt.

3.2.1 Montering

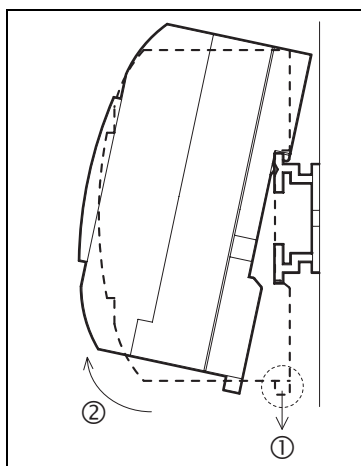
Figur 3.2: Montering



Rikta in översidan av α2-enhetens DIN-skenespår längs DIN-skenan (①) och tryck fast enheten på skenan (②).

3.2.2 Demontering

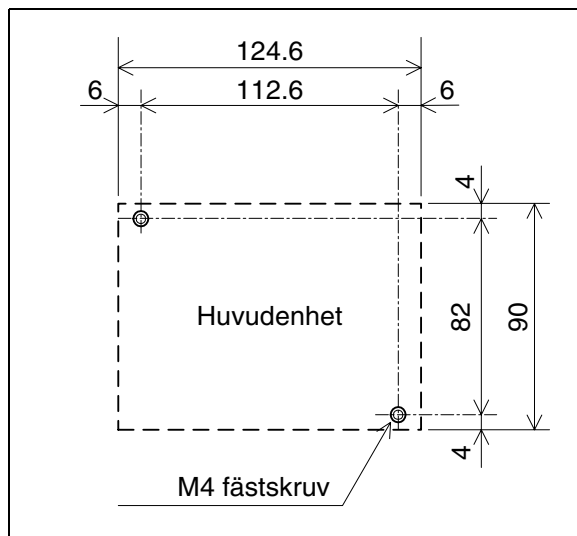
Figur 3.3: Demontering



Dra i DIN-skenekroken (①) och lyft av α2-huvudenheten (②).

3.3 Direktmontering av huvudenheten

Figur 3.4: Direktmontering



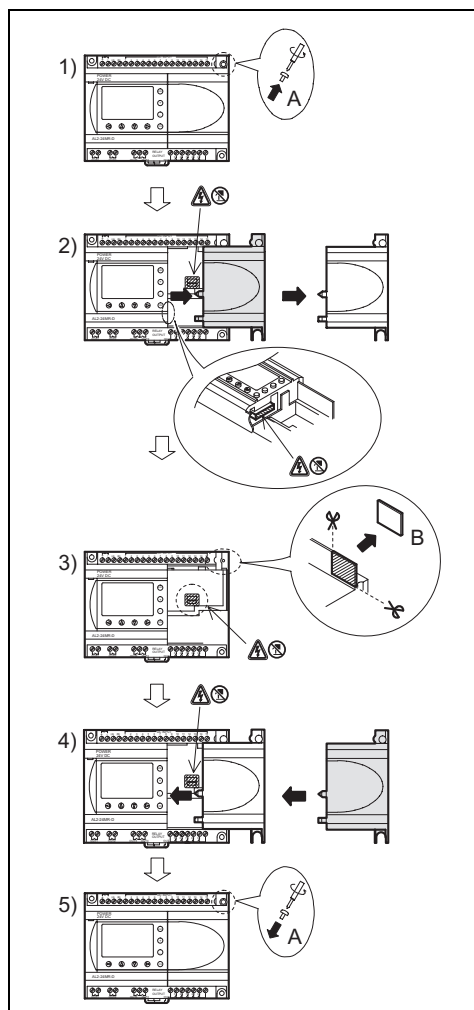
3.4 Installation av utbyggnadsmodul



Viktigt:

Koppla bort samtliga anslutningar från strömförsörjningen innan skyddet avlägsnas.

Figur 3.5: Installation



- 1) Lossa skruv A och behåll den.
- 2) Avlägsna försiktigt det fabriksmonterade expansionsplatsskyddet.
- 3) Skär bort sektion B av α2-styrenhetens huvudenhet.
- 4) Fäst expansionsmodulen i huvudenheten.
- 5) Dra åt skruv A med 0,4 N·m.

4. Anslutning och kablage

4.1 Installations- och kablageanvisningar



Kablaget till α2-serien är konstruerat för säkerhet och enkelhet. Allt arbete rörande elanslutning av styrenheter i α2-serien skall utföras av tekniker med utbildning i och erfarenhet av lokala och nationella regler för elarbeten. Stäng av strömmen före elarbeten.

- In- och utgående kablar skall inte ligga i samma flerledarkabel eller dela samma ledare.
- Installera varken in- eller utgående kablar nära högspänningskablar.
- Ingående respektive utgående kabel får vara högst 30 m långa.

Ta hänsyn till spänningsfall och inducerade störningar vid långa in- och utgående kablar. Använd kablar med tillräcklig ledararea för den aktuella strömmen.



3 mm spårskruvmejsel passar i plintskruvarna.

SWE

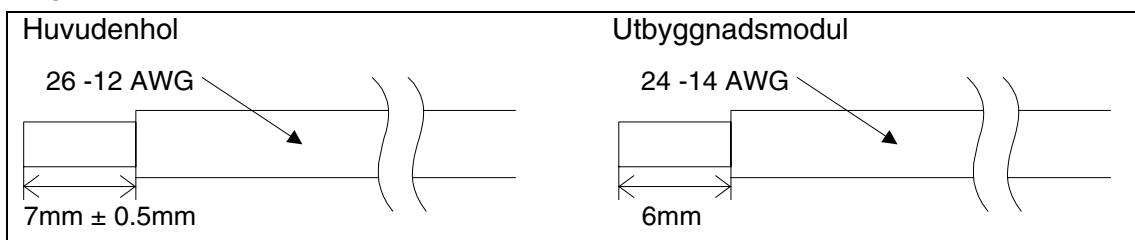
4.2 Ledararea

Anslut in- och utgångarna via kabel med ledararea enligt tabellen nedan. Skala kabeln enligt tabell 4.1 och fig. 4.1. Skruva ut anslutningsplintens skruv tills hela plintens hål är frilagt, innan du för in ledaränden. För in ledaränden helt i plinten för att säkerställa fullgod anslutning. 3 mm spårskruvmejsel passar i plintskruvarna. 3 mm

Tabell 4.1: Ledararea

	Ledararea	Skalad längd
Huvudenhet	0,13–3,31 mm ² (26–12 AWG)	7 ±0,5 mm
Utbyggnadsmodul	0,2–2,5 mm ² (24–14 AWG)	6 ±0,5 mm

Figur 4.1: Ledararea



Obs:

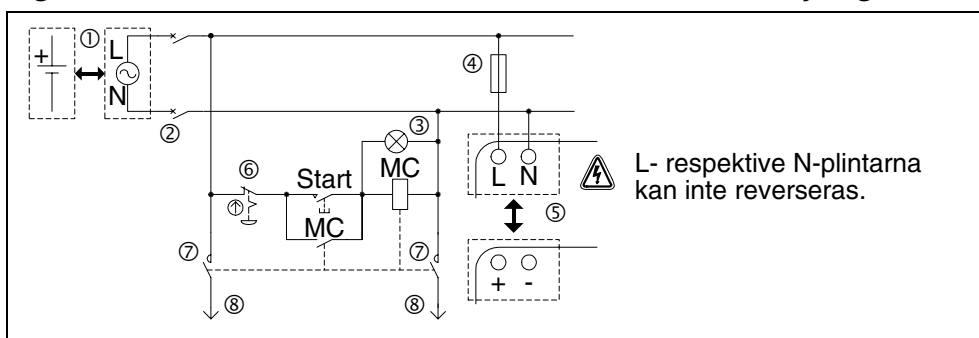
- För att undvika att skada kabeln, drar du åt med 0,5–0,6 Nm.
- Applicera inte lödteknik eller andra ämnen som kan orsaka kardelbrott på den skalade ledaränden.
 - Flertrådig kabel: Avlägsna höljet, tvinna trådarna och anslut kabeln (eller använd klämkoppling).
 - Entrådig kabel: Avlägsna höljet och anslut kabeln.

4.3 Strömförsörjning



- Växelströmförsörjningens fasledare skall anslutas till plint "L" och dess nolledare till plint "N". Anslut INTE fasledaren till plint "N", eftersom användaren då kan få en farlig elektrisk stöt då utrustningen slås på.
- Likströmförsörjningens positiva ledare skall anslutas till plint "+" och dess negativa ledare till plint "-". Strömförsörjningen får under inga omständigheter anslutas till några andra plintar på styrenheten. Vid likströmsmatning skall strömförsörjningsaggregatet kunna mata styrenheten med 4 A.

Figur 4.2: Rekommenderat kretsschema för strömförsörjning



Tabell 4.2: Rekommenderat kretsschema för strömförsörjning

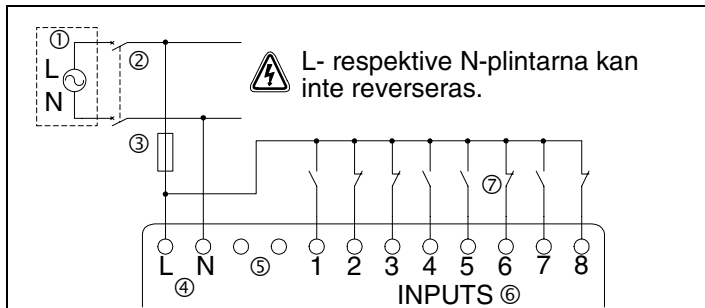
Pos.	Benämning
1	Strömförsörjning AL2-***-A: 100–240 V~, 50/60 Hz AL2-***-D: 24 V=
2	Frånskiljare
3	Indikator för tillslagen spänning
4	Överströmsskydd 1,0 A
5	α2 huvudenhet
6	Nödstop
7	Magnetbrytarkontakt
8	Strömförsörjning för last

SWE

4.4 Växelströmsförsörjning och ingångskablage

4.4.1 Växelströmsförsörjning och ingångskablage

Figur 4.3: Kretsschema för växelströmsförsörjning och ingångskablage

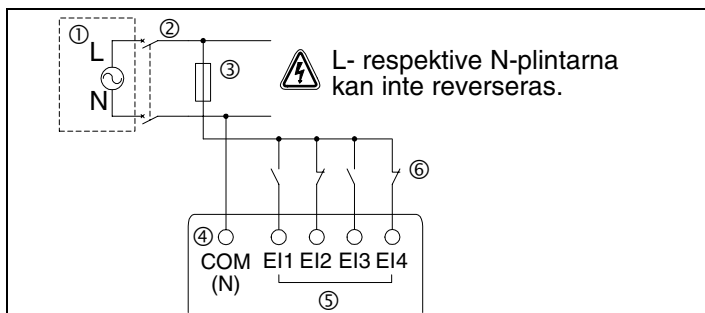


Tabell 4.3: Växelströmsförsörjning och ingångskablage

Pos.	Benämning
1	Växelströmsförsörjning, 100–240 V, 50/60 Hz
2	Frånskiljare
3	Överströmsskydd 1,0 A
4	Växelströmsplintar
5	Icke använda plintar
6	Ingångar
7	Digitala ingångsväljare

4.4.2 Ingångskablage, AL2-4EX-A2

Figur 4.4: Kretsschema för ingångskablage, AL2-4EX-A2



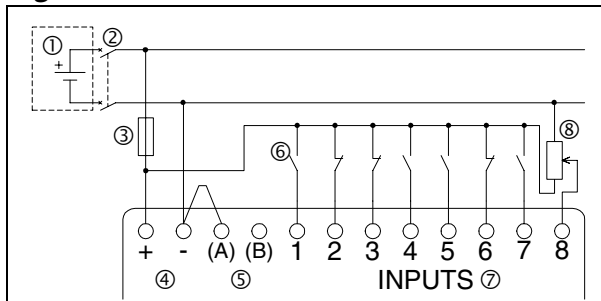
Tabell 4.4: Växelströmsförsörjning och ingångskablage

Pos.	Benämning
1	Växelströmsförsörjning, 220–240 V, 50/60 Hz
2	Frånskiljare
3	Överströmsskydd 1,0 A
4	COM-plint (N)
5	Ingångar
6	Digitala ingångsväljare

4.5 Likströmsförsörjning och ingångskablage

4.5.1 Kretsschema för likströmsförsörjning och source-ingång (gemensam +)

Figur 4.5: Kretsschema för likströmsförsörjning och source-ingång (gemensam +)

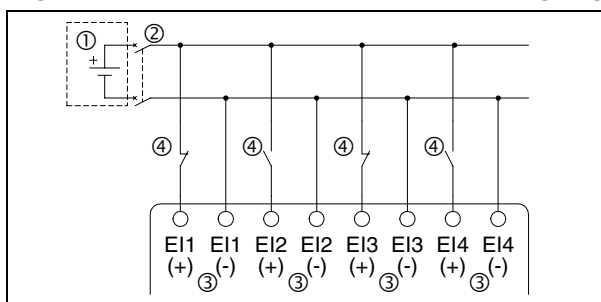


Tabell 4.5: Likströmsförsörjning och source-ingång (gemensam +)

Pos.	Benämning
1	Likströmsförsörjning 24 V
2	Frånskiljare
3	Överströmsskydd 1,0 A
4	Likströmsplintar
5	Sink/source-ingångsplintar
6	Sensoringångsväljare
7	Ingångar
8	Analog ingång

4.5.2 Kretsschema för source-ingångskablage (gemensam +), AL2-4EX

Figur 4.6: Kretsschema för source-ingångskablage (gemensam +), AL2-4EX



Tabell 4.6: Likströmsförsörjning och source-ingång (gemensam +)

Pos.	Benämning
1	Likströmsförsörjning 24 V
2	Frånskiljare
3	Ingångar – se Obs för säkringsstorlek
4	Sensoringångsväljare



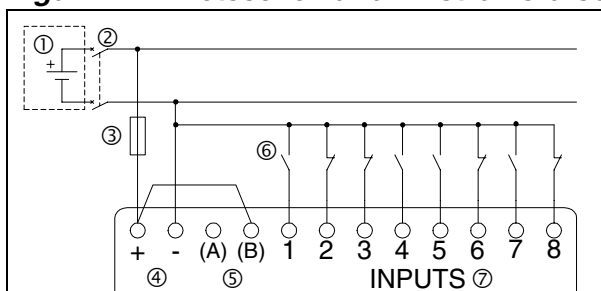
Obs

Varje ingångsplint (E11 ~ E14) kan användas antingen som source- eller sink-ingång.

SWE

4.5.3 Kretsschema för likströmsförsörjning och sink-ingång (gemensam –)

Figur 4.7: Kretsschema för likströmsförsörjning och sink-ingång (gemensam –)

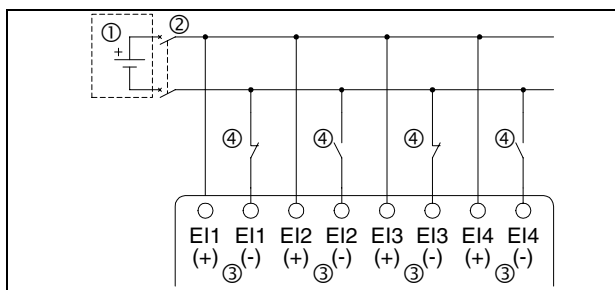


Tabell 4.7: Likströmsförsörjning och sink-ingång (gemensam –)

Pos.	Benämning
1	Likströmsförsörjning 24 V
2	Frånskiljare
3	Överströmsskydd 1,0 A
4	Likströmsplintar
5	Sink/source-ingångsplintar
6	Sensingångsväljare
7	Ingångar

4.5.4 Kretsschema för sink-ingångskablage (gemensam –), AL2-4EX

Figur 4.8: Kretsschema för sink-ingångskablage (gemensam –), AL2-4EX



Tabell 4.8: Likströmsförsörjning och sink-ingång (gemensam –)

Pos.	Benämning
1	Likströmsförsörjning 24 V
2	Frånskiljare
3	Ingångar – se Obs för säkringsstorlek
4	Sensingångsväljare

Obs

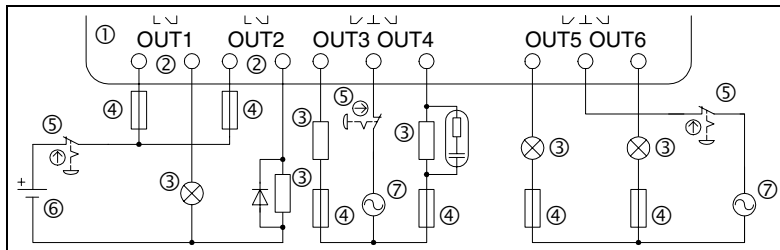


Varje ingångsplint (EI1 ~ EI4) kan användas antingen som source- eller sink-ingång.

4.6 Kretsschema utgångsrelä och transistor

4.6.1 Kretsschema för reläutgång huvudenhet (växelström och/eller likström)

Figur 4.9: Kretsschema för reläutgång huvudenhet (växelström och/eller likström)



Tabell 4.9: Reläutgång huvudenhet (växelström och/eller likström)

Pos.	Benämning
1	α2 huvudenhet
2	Ömsesidigt uteslutande utgångar
3	Utenheter
4	Överströmsskydd (se tabell 4.10)
5	Nödstopp
6	Likströmsförsörjning
7	Växelströmsförsörjning

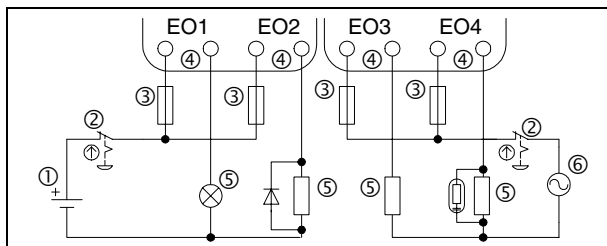
Tabell 4.10: Tabell överströmsskydd reläutgång

modell	Antal utgångar	Maximal resistiv last	Överströmsskydd (säkring)
AL2-14MR-*	O01–O06	8 A/gemensam	≤10 A
AL2-24MR-*	O01–O04		≤ 10 A
	O05–O09	2 A/kontakt (4 A/gemensam)	≤ 3 A

SWE

4.6.2 Kretsschema för reläutgång AL2-4EYR (växelström och/eller likström)

Figur 4.10: Kretsschema för reläutgång AL2-4EYR (växelström och/eller likström)



Tabell 4.11: Reläutgång AL2-4EYR (växelström och/eller likström)

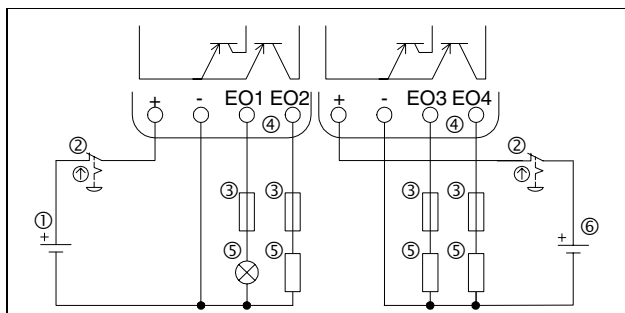
Pos.	Benämning
1	Likströmsförsörjning
2	Nödstopp
3	Överströmsskydd ($\leq 3A$)
4	Ömsesidigt uteslutande utgångar
5	Utenheter
6	Växelströmsförsörjning

Tabell 4.12: Tabell överströmsskydd reläutgång

modell	Antal utgångar	Maximal resistiv last	Överströmsskydd (säkring)
AL2-4EYR	EO1 – EO4	2 A/kontakt	$\leq 3 A$ / strömkälla

4.6.3 Kretsschema för transistorutgång (endast source eller gemensam +), AL2-4EYT

Figur 4.11: Kretsschema för transistorutgång (endast source eller gemensam +), AL2-4EYT



Tabell 4.13: Transistorutgång

Pos.	Benämning
1	Likströmsförsörjning 24 V
2	Nödstopp
3	Överströmsskydd – se tabell 4.14
4	Strömförsörjningsplint
5	Utenheter
6	Likströmsförsörjning 12 V

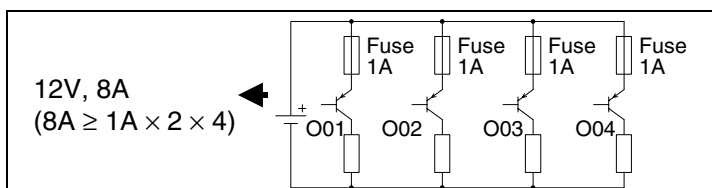
Tabell 4.14: Tabell överströmsskydd transistorutgång

Spänning	Överströmsskydd (säkring)
5 V=	≤ 0,3 A / strömkälla
12 V=	≤ 2,0 A / strömkälla *1
24 V=	≤ 2,0 A / strömkälla *1

*1 Strömkällans kapacitet ≥ säkringens märkström × 2



Figur 4.12: Exempel på beräkning av erforderlig säkringsmärkström



SWE

Obs



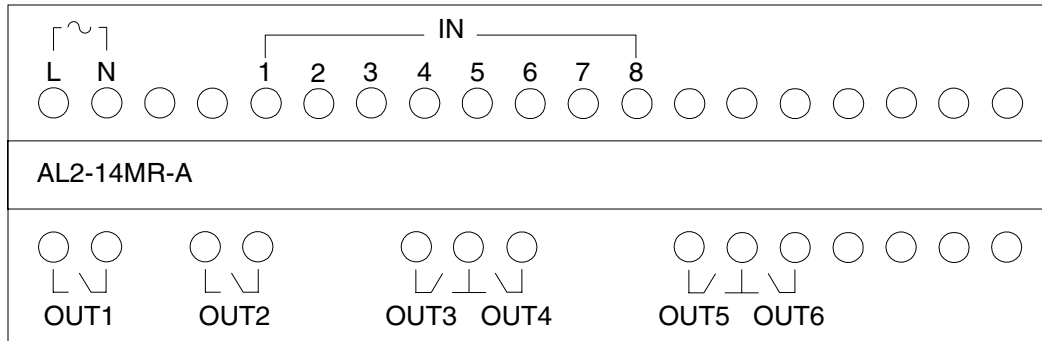
Tabell 4.15: Information om utgångsplintar

Volt	Information om utgångsplintar
5	Varje krets kan omfatta från en enda utgångsplint ända upp till samtliga utgångsplintar.
12-24	Varje krets kan omfatta från en enda utgångsplint ända upp till samtliga utgångsplintar.
5,12,24	Det går att använda vilka kombinationer som helst av 5 V-, 12 V-, och 24 V-utgångar med en och samma α2-styrenhet, genom att använda separata kretsar för respektive spänning.

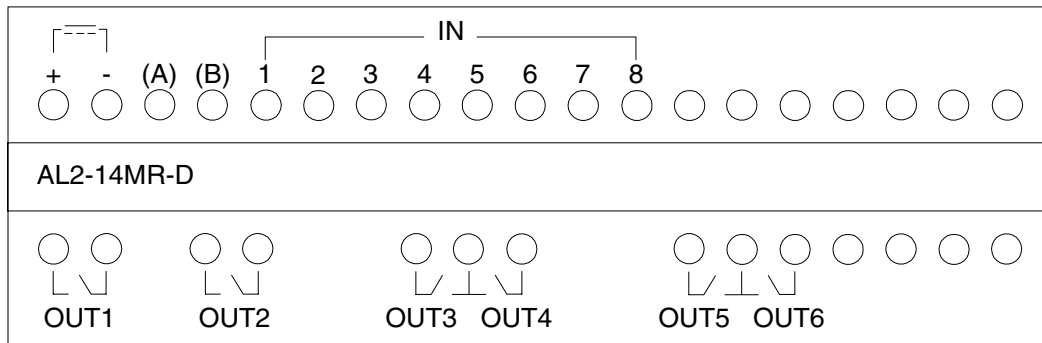
Anteckningar

5. Plintlayout

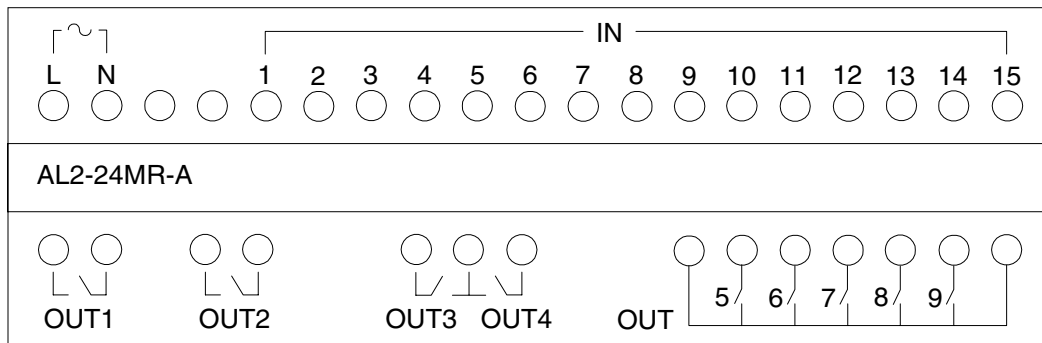
Figur 5.1: AL2-14MR-A, växelströmsingång, reläutgång



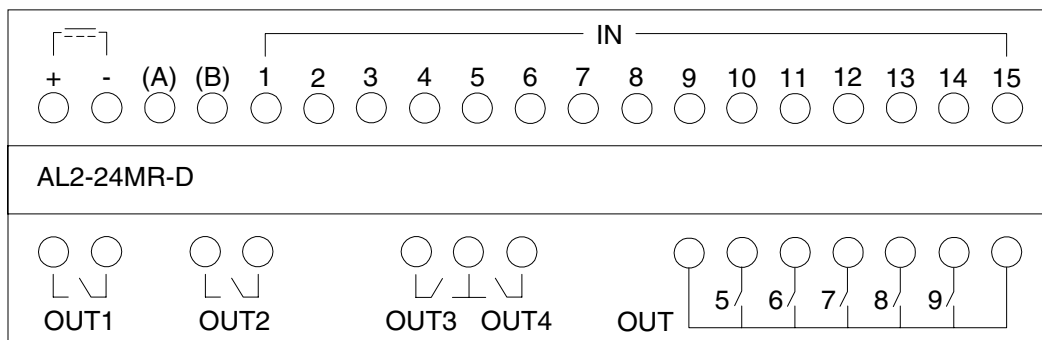
Figur 5.2: AL2-14MR-D, likströmsingång, reläutgång



Figur 5.3: AL2-24MR-A, växelströmsingång, reläutgång

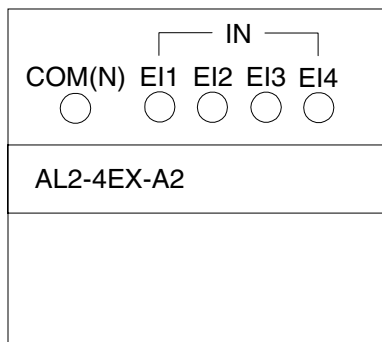


Figur 5.4: AL2-24MR-D, likströmsingång, reläutgång

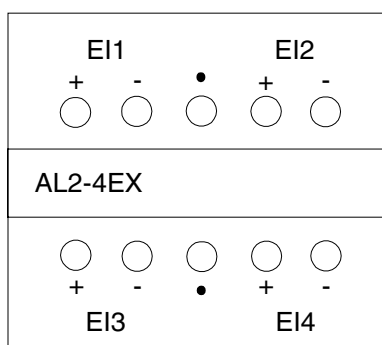


SWE

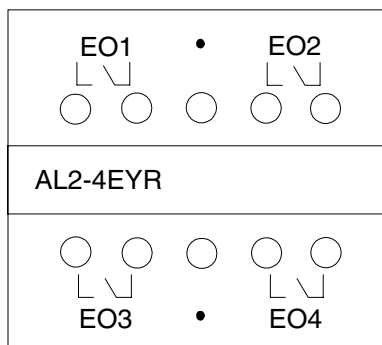
Figur 5.5: AL2-4EX-A2, 220-240 V växelströmsingån g



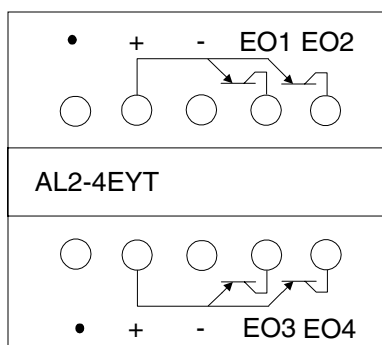
Figur 5.6: AL2-4EX-A2, likströmsingån g



Figur 5.7: AL2-4EYR, reläutgång



Figur 5.8: AL2-4EYT, transistorutgång



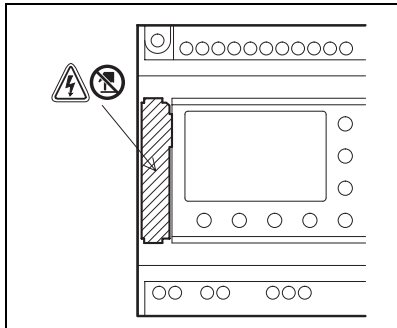
6. AL2-EEPROM-2

AL2-EEPROM-2 minneskassett är endast avsedd att användas till α2-serien (modell AL2-**M*-*).



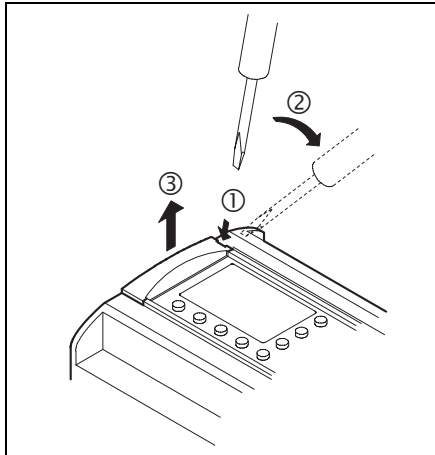
Viktigt

- Installation/byte av minneskassetten skall utföras av behörig personal.
- Stäng av spänningen till enheten innan du sätter i eller tar ut minneskassetten.
- Sätt tillbaka täcklocket när du tagit ut minneskassetten.
- Var försiktig så att du inte klämmer dig när du monterar täcklock eller minneskassett i α2-enheten.
- VIDRÖR INTE följande delar när du demonterar kåpan eller minneskassetten.

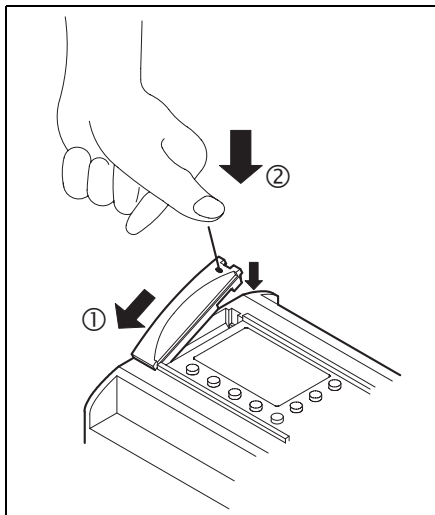


6.1 Installation

1) Avlägsna täcklock eller minneskassett



2) Montera täcklock eller minneskassett



7. AL-232CAB

7.1 Inledning

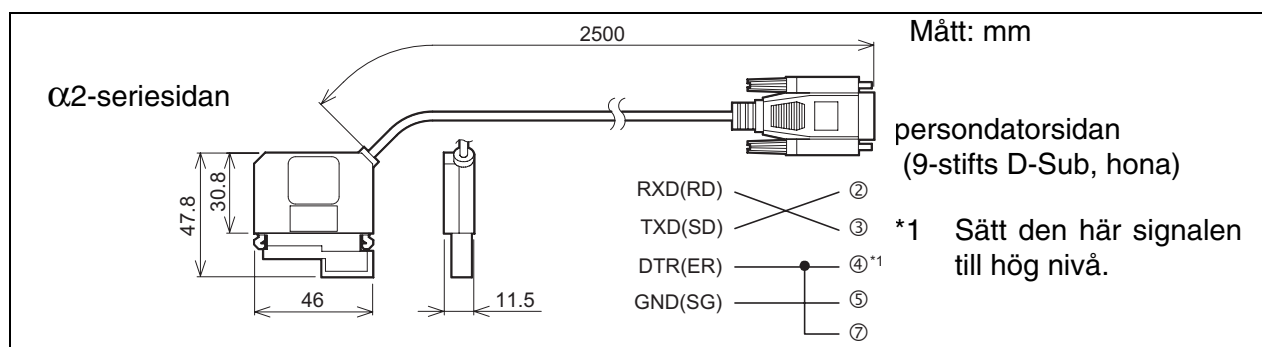
AL-232CAB är en RS-232C-kabel, som används för att ansluta en styrenhet i α-serien (α, α2) till en persondator som kör programmeringsgränssnittet (AL- PCS/ WIN- E).



Observera

- Kabeln AL-232CAB kan inte användas för andra tillämpningar.
- AL-232CAB-kabeln sticker upp cirka 40 mm ovanför den övre panelen vid anslutning till en styrenhet i α-serien.

7.1.1 Yttre mått



SWE

7.2 Ansluten till AL-232CAB-kabel



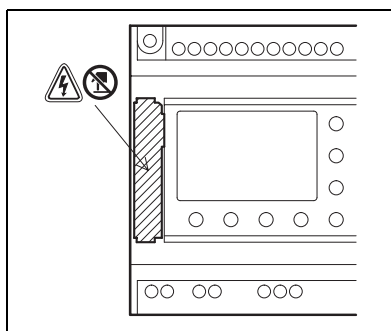
Avlägsna kåpan och minneskassett

- Beakta den personliga säkerheten när du avlägsnar α2-kåpan.

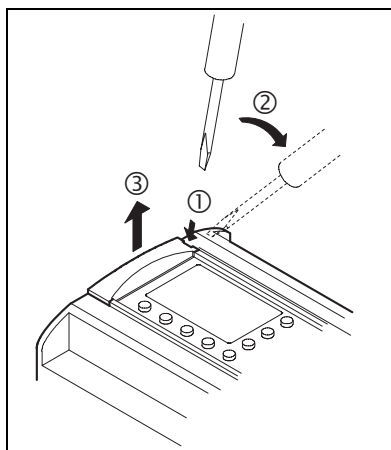


Viktigt

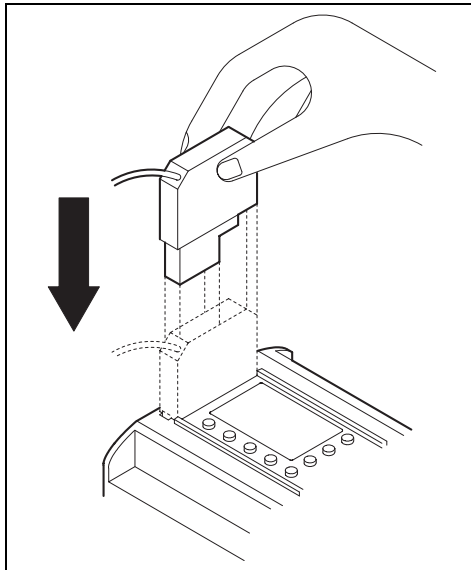
- Stäng av strömförsörjningen innan du ansluter eller lossar AL-232CAB-kabeln.
- Sätt tillbaka minneskassetten och kåpan när du lossat AL-232CAB-kabeln.
- Var försiktig så att du inte klämmer fingrarna när du monterar anslutningskåpan eller minneskassetten på α2-styrenheten.
- Håll i skyddshöljet när du lossar kabeln. Dra INTE i själva kabeln.
- VIDRÖR INTE följande delar när du demonterar kåpan, minneskassetten eller den här kabeln.



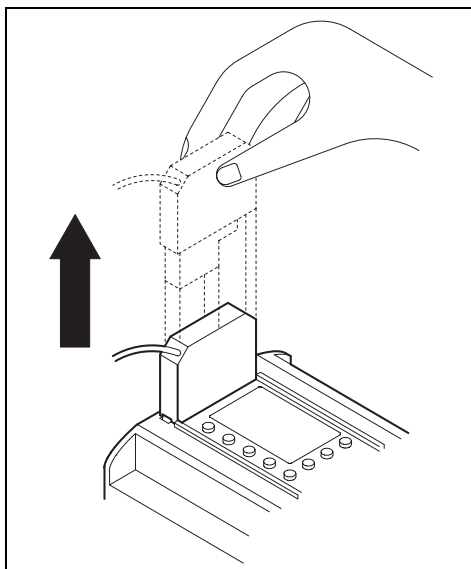
1) Demontering av kåpan och minneskassetten.



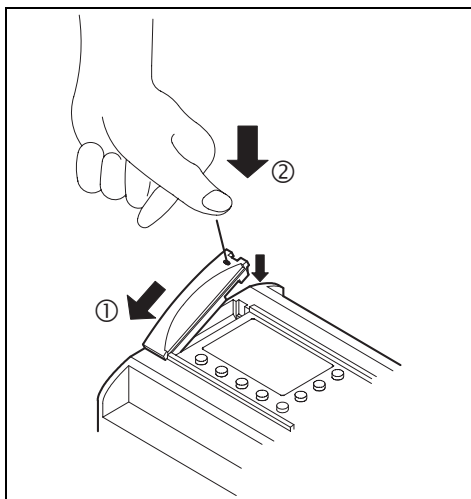
2) Anslutning av AL-232CAB-kabeln.



3) Losskoppling av AL-232CAB-kabeln.



4) Återmontering av kåpan och minneskassetten.



SWE

Anteckningar

8. AL2-GSM-CAB

8.1 Inledning

AL2-GSM-CAB kan användas för att ansluta styrenheter i α2-serien till ett vanligt modem eller GSM-modem. AL2-GSM-CAB kan överföra SMS-data (Short Message Service) till ett GSM-modem för överföring till mobiltelefoner och e-postadresser, eller kan underlätta fjärrövervakningsfunktioner och programöverföring via vanliga modem. Även RS-232C-kommunikation till en persondator kan upprättas, om adapterkabel används.

Ytterligare information finns i α2 maskinvaru - och programhandböcker.



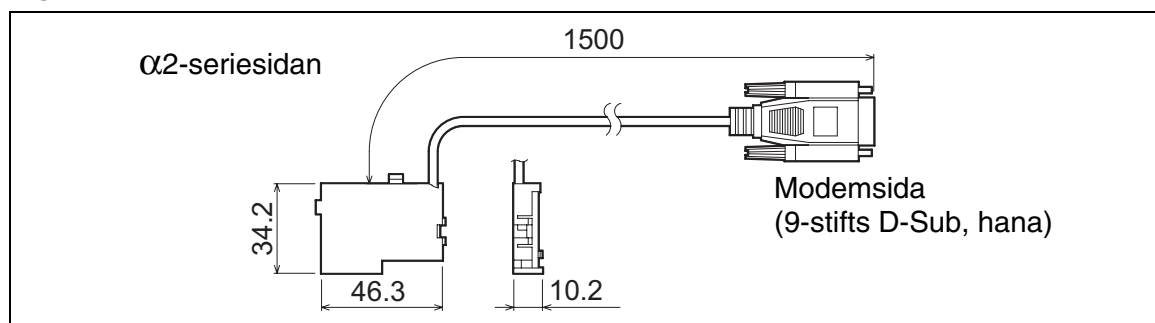
Obs:

- Kabeln kan inte användas för andra tillämpningar.
- Kabeln kan inte anslutas till styrenheter i serie α (Modell: AL-**M*).
- Samtidig kommunikation via båda portarna på styrenheter i α2-serien kan skada programmet eller orsaka funktionsfel i styrenheten.

8.1.1 Yttre mått

Figur 8.1: Yttre mått

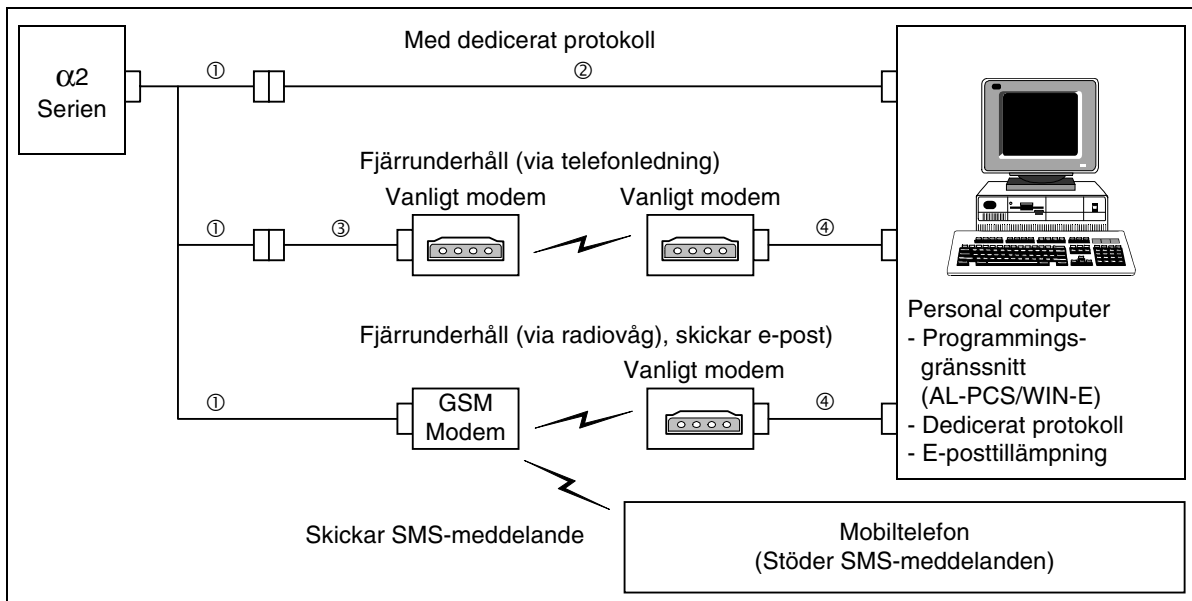
Mått: mm



SWE

8.1.2 Systemkonfiguration med AL2-GSM-CAB

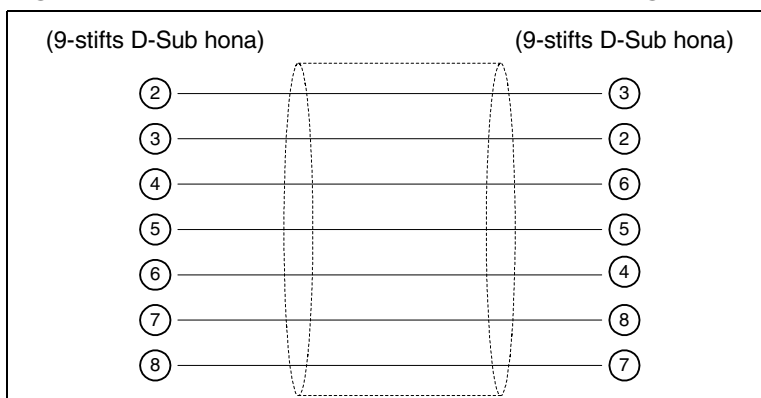
Figur 8.2: Systemkonfiguration med AL2-GSM-CAB



Tabell 8.1: Systemkonfiguration med AL2-GSM-CAB

Post	Kabel
1	AL2-GSM-CAB
2	RS-232C korskabel (se fig. 8.3)
3	RS-232C rak kabel för modemmet (se fig. 8.5)
4	RS-232C rak kabel för modemmet (specificerad av modemtillverkaren)

Figur 8.3: RS-232C korskabel, ledarnumrering



Obs

Signal 4 och 7 skall sättas höga (PÅ) på persondatorsidan. Om dessa signaler inte ställs in rätt, kan inte datorn kommunicera med α2-styrenheten.

8.2 Installation

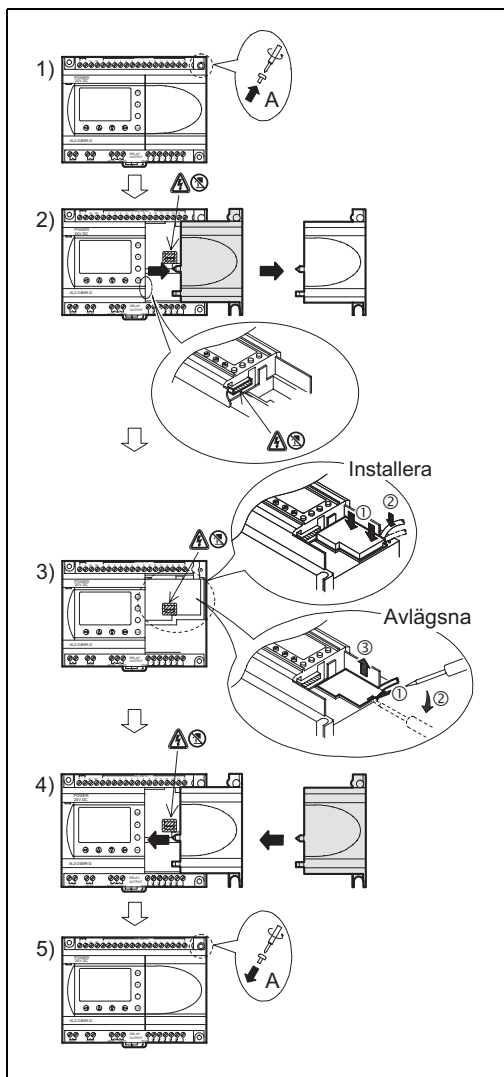
Se figur 8.4 för installation av AL2-GSM-CAB.



Viktigt

- AL2-GSM-CAB skall installeras respektive tas ur av personer med utbildning i och kännedom om gällande lokala och nationella elstandarder.
- Stäng av strömförsörjningen innan du installerar eller tar ut AL2-GSM-CAB.
- Sätt tillbaka höljet efter att du antingen har installerat eller tagit bort AL2-GSM-CAB.
- Mitsubishi Electric är under inga omständigheter ersättningskyldigt eller ansvarigt för följskador som kan uppstå till följd av installation eller användning av utrustningen.
- Dra inte i sladden.
Om du drar i sladden, kan kabeln skadas.
- Vid kommunikation till en enhet av α2-serien via GSM-modem, måste strömförsörjningen för båda enheterna slås PÅ samtidigt. Om de inte startas samtidigt, kommer α2-enheten inte att kommunicera via GSM-modemet.

Figur 8.4: Installation



- 1) Avlägsna skruv A. Spara skruven, den behövs i installationen.
- 2) Avlägsna försiktigt det fabriksmonterade α2 expansionsportskyddet eller specialmodulskyddet.
- 3) Installera AL2-GSM-CAB i håligheten. Se noga till att kabeln placeras i kanalen på ingångsplintsidan.
- 4) Sätt tillbaka α2-kåpan eller specialmodulen, försiktigt så att inte AL2-GSM-CAB kommer i kläm.
- 5) Sätt tillbaka skruv A och dra åt med 0,4 N·m.

8.3 Fjärrunderhåll via modem

Ytterligare information om modeminstallation finns i programmeringshandboken för α2. Det enklaste sättet att installera modemmet är att använda programmeringsgränssnittet (AL-PCS/WIN-E).

8.3.1 Rekommenderade modem

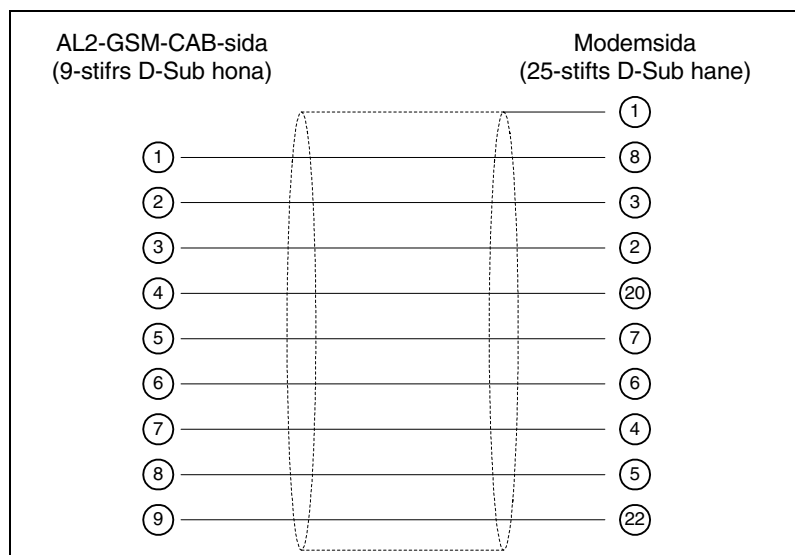
Följande modem har testats med gott resultat.

Tabell 8.2: Testade modem

Tillverkare	Modell	Modemkommando (AT-kommando)
3com	SP560V-P	ATE0Q1&B1&D0H0&I0&R1&S0S0=2S15=8&W
OMRON	ME3314	ATE0S0=2Q1&D0S15=8&R1&H0&W
AIWA	PV-AF3360	ATE0S0=2Q1&D0&M5\Q0\J0&W
Siemens	M20T	ATE0S0=2&S0;+IFC=0,0;+CMEE=1;+IPR=9600&W

8.3.2 RS-232C rak kabel mellan modem och AL2-GSM-CAB

Tabell 8.3: RS-232C rak kabel mellan modem och AL2-GSM-CAB, ledarnumrering



SWE

8.3.3 Modeminställning

- 1) Inställning på datorsidan.
Installera filen för modeminställning.
- 2) Inställning av α2-styrenhetens sida.
Modemet i α2-styrenheten ställs in genom huvudenhetens ModemInit-kommando.

a) Modemkommandot (AT-kommandot).

Initiera modemet med hjälp av AT-kommandot. Kontrollera detaljinformationen rörande AT-kommandot i handboken för det aktuella modemet. AT-kommando anges för utvalda modem i tabell 8.4 (Vanligt modem) och 8.5 (GSM-modem) nedan.

Tabell 8.4: Testade modem

Tillverkare	Modell	Modemkommando (AT-kommando)
3com	SP560V-P	ATE0Q1&B1&D0H0&I0&R1&S0S0=2S15=8&W
OMRON	ME3314	ATE0S0=2Q1&D0S15=8&R1&H0&W
AIWA	PV-AF3360	ATE0S0=2Q1&D0&M5\Q0\J0&W
Siemens	M20T	ATE0S0=2&S0;+IFC=0,0;+CMEE=1;+IPR=9600&W

Ytterligare information om modeminitiering finns i programmeringshandboken för α2.

Om modem som inte finns upptagna i ovanstående tabeller, skall AT-kommandot ställas in enligt tabellen nedan.

Tabell 8.5: AT-kommando för modem (Vanligt modem)

Inställningspost	Inställning	Inställningsexempel		
		SP560V-P	ME3314	PV-AF3360
Kommandorepetition	Ingen	E0	E0	E0
Antal uppringningar vid autosvar	2	S0=2	S0=2	S0=2
Visad resultatkod	Ingen	Q1	Q1	Q1
DTR-styrning	Ständigt tillslagen	&D0	&D0	&D0
DSR-styrning	Ständigt tillslagen	&S0		
Kommunikationsläge	V.42bis	S15=8	S15=8	&M5
Terminalhastighet (fast)	Fast	&B1	\J0	
Terminalflödesstyrning	Ingen	-&R1	\Q0	
Flödesstyrning, sändning av data	Ingen	&H0	&H0	-
Flödesstyrning, mottagna data (programvara)	Ingen	&I0		
Flödesstyrning, mottagna data (RTS-styrning)	Ingen	&R1		
Skrivning till icke-flyktigt minne	Skriv till icke-flyktigt minne.	&W	&W	&W

Tabell 8.6: AT-kommando för GSM-modem

Inställningspost	Inställning	Inställningsexempel
		M20T
Aktivera kommandorepetition	Repetition FRÅN	E0
Antal ringsignaler före autosvar	Autosvar efter andra ringsignalen	S0=2
Funktionsläge för DSR-kretsen (data set ready)	DSR alltid TILL	&S0
TE-TA dataflödesstyrning	<ul style="list-style-type: none"> • Metod terminalutrustningen (TE) använder för mottagning av data från terminaladaptern (TA): Ingen • Metod terminaladaptern (TA) använder för mottagning av data från terminalutrustningen (TE): Ingen 	+IFC=0,0
Rapportera fel i mobil utrustning	Aktivera resultatkod och använd numeriskt värde	+CMEE=1
Fast lokal hastighet	Baudhastighet: 9600 bps	+IPR=9600
Funktionsläge för DCD-kretsen (data carrier detect)*1	DCD-linje TILL endast då bärvåg finns	&C1
Bärvågstyp*1	9600 bps (V.32), asynkront modem, icke-transparent	+CBST=7,0,1
Spara aktuell parameter för definierad profil	Användarprofilen sparas i icke-flyktigt minne	&W

*1 Dessa inställningar behöver inte göras för Siemens M20T, eftersom de är inlagda som standardvärden i detta modem. Om andra GSM-modem skall användas, kan det vara nödvändigt att göra dessa inställningar.

b) Tidsinställning för modeminitiering vid systemstart

Styrenheterna i α2-serien har en funktion som vid start av huvudenheten fördröjer överföringen av modemkommandot (AT-kommandot) för modeminitiering. Fördröjningen kan vara 0–10 sekunder. Detta fördröjningskommando kan användas för att säkerställa att AT-kommandot överförs korrekt i de fall α2-styrenheten startar snabbare än modemmet.

Ytterligare information om handhavande av modem finns i α2 programmeringshandboken och α maskinvaruhandboken.

SWE

Anteckningar

9. AL2-ASI-BD

Gränssnittskortmodulen för ställdonssensor i AL2-ASI-BD används tillsammans med styrenheterna i α2-serien för datakommunikation via ett nätverk för ställdonssensorgränssnitt (AS-gränssnitt).

Ytterligare information finns i programmeringshandböckerna för α2-styrenheterna.



Viktigt

- AL2-ASI-BD får endast bytas ut av personal med erforderlig kännedom om lokala och nationella elsäkerhetsbestämmelser och standarder .
- Stäng av strömförsörjningen innan du installerar eller tar bort AL2-ASI-BD.
- Sätt tillbaka kåpan när du tagit bort AL2-ASI-BD.
- Mitsubishi Electric är under inga omständigheter ersättningskyldigt eller ansvarigt för följdskador som kan uppstå till följd av installation eller användning av utrustningen.

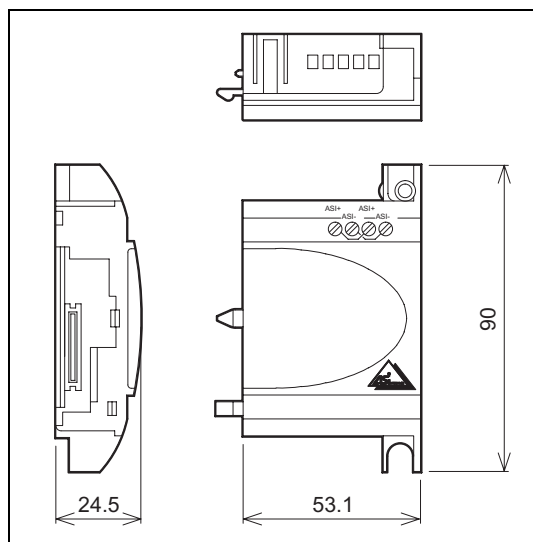
9.1 Inledning

AL2-ASI-BD ansluts till huvudenheten på en styrenhet i serien, så att den utgör en slavstation i ett AS-gränssnittsnätverk (4 ingångar, 4 utgångar). Högst 31 slavenheter kan anslutas för att bilda ett AS-gränssnittsnätverk. Strömförsörjning för kommunikation sker via AS-gränssnittsbussen, via AS-gränssnittets strömförsörjningsenhet. Kommunikationssignalen överlagras över strömförsörjningen på AS-gränssnittsbussen.

9.1.1 Yttre mått

Figur 9.1: Yttre mått

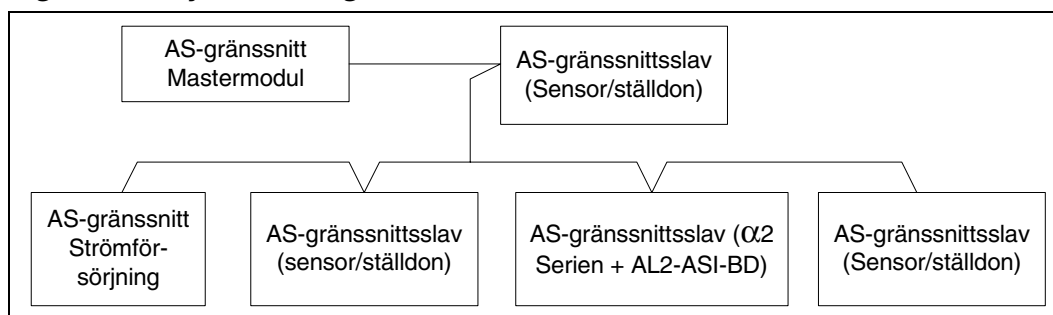
Mått: mm)



SWE

9.1.2 Systemkonfiguration

Figur 9.2: Systemkonfiguration



9.2 Tekniska data

För allmänna tekniska data, se kapitel 2.

Tabell 9.1: Maskinvarudata, kommunikation

Post	Innehåll
Antal I/O	4 ingångar (in. E01–E04) 4 utgångar (ut. A01–A04)
I/O-uppdateringstid	Max. 5 ms
Nätverksavstånd	Max. 100 m
Extern strömförsörjning	Typiskt 30,5 V= (strömförsörjning för AS-gränssnitt)
Strömförbrukning, extern strömförbrukning	40 mA eller mindre
EG-direktiv	EMC
Uppfyller	AS-gränssnittscertifiering

Tabell 9.2: Programvarudata, kommunikation

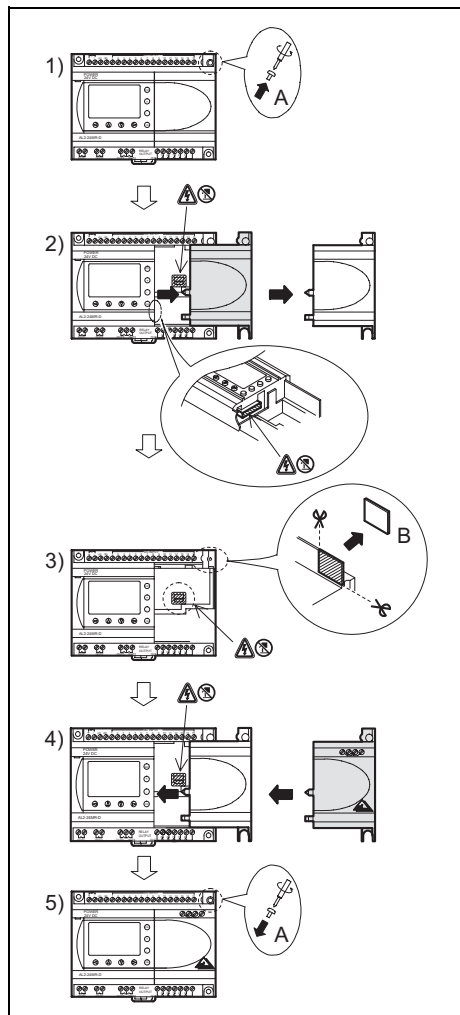
Post	Innehåll
Stationsnummer	Anges från masterstation (fabriksinställning 0)
I/O-kod	7
ID-kod F	F
Databit	D0 ingång/utgång 01–04 (E01–E04, A01–A04)
Parameterbit	P0 Kommunikationsövervakning (standardinställd). *1
	P1, P2, P3 Används inte
Systembit	M6 PÅ när kommunikationsfel för AS-gränssnitt uppkommer.
	M7 PÅ när kommunikationsfel för AS-gränssnittets strömförsörjning uppkommer.
Kontrollbit	N1 PÅ: Koppla bort från AS-gränssnittsnätverk. AV: Anslut till AS-gränssnittsnätverk.

*1 Funktion för att återställa insignal (E01–E04) när kommunikationen med AS-gränssnittet bryts under 70 ms eller mer.

9.3 Kabelanslutning och Installation

9.3.1 Installation

Figur 9.3: Installation



- 1) Avlägsna och spara skruv A.
- 2) Avlägsna försiktigt det fabriksmonterade expansionsplatsskyddet.
- 3) Skär bort sektion B av α2-styrenhetens huvudenhet.
- 4) Sätt tillbaka AL-ASI-BD på huvudenheten.
- 5) Sätt tillbaka skruv A och dra åt med 0,4 N·m.

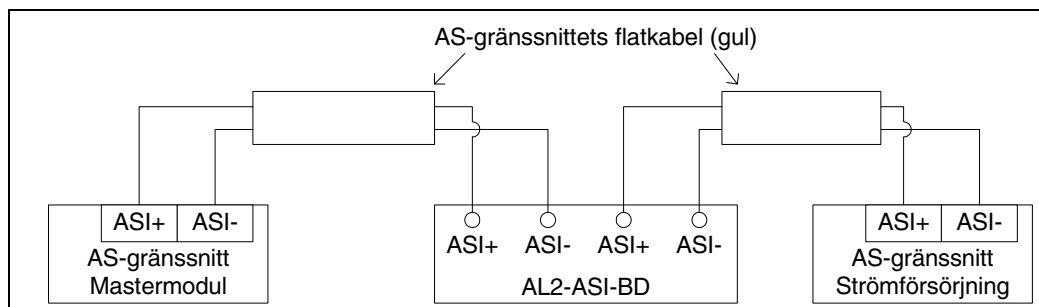
SWE

9.3.2 Anslutning och kablage



Använd AS-gränssnittets flatkabel (gul) för att ansluta AL-ASI-BD till nätverket. När du ansluter AS-gränssnittskabeln till modulen, skall du dra åt kommunikationsanslutningens skruvar med 0,5–0,6 Nm.

Figur 9.4: Anslutning och kablage



9.4 Slavadressinställning och diagnostik

9.4.1 Slavadressinställning

Adressen till AL2-ASI-BD måste ställas in från mastermodulen för AS-gränssnitt. Inställningsområdet för slavadress är 1 till 31. Nya moduler är förinställda till 0 vid leverans. Om en modul tidigare tilldelats någon annan adress än 0, måste den återställas till 0 innan den kan läggas till i ett nytt AS-gränssnittsnätverk.

I handboken för mastermodulen för AS-gränssnitt finns mer information om hur du ställer in stationsadress från AS-gränssnittsmastern.

Många moduler kan läggas till samtidigt till nätverket. Alla utom en av dem skall vara satt till passivt läge (sätt N1 = 1). När nätverket spänningssatts kan modulerna aktiveras var för sig (sätt N1 = 0), där masterstationen tilldelar en slavadress.

9.4.2 Tillämpliga felkontroller

- 1) Om ett kommunikationsfel (M6) uppkommer:
 - Kontrollera anslutningarna till AS-gränssnittsmastern, samt att slavstationsnumret är korrekt.
- 2) Om strömförsörjningsfel för kommunikation (M7) uppkommer:
 - Kontrollera AS-gränsschnittsbusskabelns anslutning vid berörda enheter. Kontrollera även strömförsörjningen till och funktionen hos AS-gränssnittet.

10. Lista över knappar, systembitar och funktionsblock

10.1 Lista över knappar

Tabellen nedan innehåller de knappar som används i meny- och användarprogrammet. Ytterligare information finns i programmeringshandboken för α2.

Tabell 10.1: Lista över kontrollknappar

Knappnamn	Knappnummer	Funktion
OK	K01	Bekräfta/godkänna inmatade data, menyalternativ och programval.
ESC	K02	Avbryta pågående operation, flytta till överordnad skärmbild eller meny.
+	K03	Ansluta funktionsblock, flytta till block med högre nummer, öka värden.
-	K04	Koppla bort funktionsblock, flytta till block med lägre nummer, minska värden.
▲	K05	Bläddra till poster med högre nummer (knappar, FB, in- och utgångar etc.).
▼	K06	Bläddra till poster med lägre nummer (knappar, FB, in- och utgångar etc.).
▶	K07	Flytta åt höger i teckenfönstret, FB-program eller hoppkommando.
◀	K08	Flytta åt vänster i teckenfönstret, FB-program eller hoppkommando.

SWE

10.2 Lista över systembitar

Systembiten styrs av systemet, medan kontrollbiten styrs från användarprogrammet.

10.2.1 Lista över systembitar

Tabell 10.2: Lista över systembitar

Systembit	Funktion
M01	Alltid PÅ.
M02	Alltid AV.
M03	Alternerade – 0,5 s PÅ, 0,5 s AV.
M04	PÅ när datafel för realtidsklocka uppkommer.
M05	PÅ när tidsschema för sommartid aktiveras.
M06	PÅ när kommunikationsfel för AS-gränssnitt uppkommer.
M07	PÅ när kommunikationsfel för AS-gränssnittets strömförsörjning uppkommer.
M08	PÅ när läge Stop växlar till Run i α2-styrenheten. PÅ-signalen fungerar som pulsutsignal och stängs sedan AV.
M09	AV när läge Stop växlar till läge Run i α2-styrenheten. AV-signalen fungerar som pulsutsignal och slås sedan PÅ.
M10	Reserv
M11	Reserv
M12	PÅ när CD-signalen (DCD) sätts PÅ (tar emot CD-signal från modem)
M13	PÅ när åtkomst till GSM-nätverket är möjlig.
M14	PÅ vid åtkomst av α2-styrenheten via GSM.

10.2.2 Lista över kontrollbitar

Tabell 10.3: Kontrollbitar

Kontrollbit	Funktion
N01	PÅ: Koppla bort från AS-gränssnittsnätverk. AV: Anslut till AS-gränssnittsnätverk.
N02*1	PÅ: LCD-teckenfönstrets bakgrundsbelysning är AV. AV: Bakgrundsbelysningen styrs av inställningen "Light Time" i menyn.
N03*1	PÅ: LCD-teckenfönstrets bakgrundsbelysning är PÅ. AV: Bakgrundsbelysningen styrs av inställningen "Light Time" i menyn.
N04	PÅ: Användarskärmen styrs via inställning av "Display Manager" med AL-PCS/ WIN-E. AV: Användarskärmen styrs med användarprogrammet.

*1 När både N02 och N03 är PÅ, är bakgrundsbelysningen PÅ, eftersom N03 ges högst prioritet.

10.3 Lista över funktionsblock

Ytterligare information om funktionsblock finns i programmeringshandboken för α2-serien .

Tabell 10.4: Lista över funktionsblock

Funktionsblock		Erforderligt minnesutrymme (byte)	Funktion
Namn	Symbol		
AND	AND	19	Utgången är PÅ när alla ingångar är PÅ. Ingångar som inte används anses vara PÅ.
OR	OR	19	Utgången är PÅ när minst en ingång är PÅ. Ingångar som inte används anses vara AV.
NOT	NOT	10	Icke-grind eller inverterare, som "spegelvänder" AV till PÅ och tvärtom.
XOR	XOR	13	Exklusiv eller-grind, dvs. utgången är PÅ när endast en av två ingångar är PÅ.
NAND	NAND	19	Negerad och-grind, dvs. utgången är AV endast när alla ingångar är PÅ. Ingångar som inte används anses vara PÅ.
NOR	NOR	19	Negerad eller-grind, dvs. utgången är AV när minst en ingång är PÅ. Ingångar som inte används anses vara AV.
Boolsk	BL	*1	Logisk ekvation med AND, OR, XOR och NOT.
Ställ/återställ	SR	14	Låser ett relä i läge SET (ställ) eller RESET (återställ), prioriterar ställ eller återställ.
Puls	PL	10	Skickar en puls vid framflank, bakflank eller båda flankerna.
Alternering	AL	13	Utgången växlar mellan PÅ och AV vid varje inkommande puls.
Fördröjning	DL	19	Fördröjer en signals framflank, bakflank eller båda flanker.
Enkelpuls	OS	17	Skickar en enstaka puls, styrd av tids- eller insignal, återställningsstift finns.
Pulståg	FL	19	Skickar ett pulståg PÅ/AV antal gånger, repetitioner, varaktighet eller kontinuerligt.
Tidsstyrd omkopplare	TS	*2	Utnyttjar realtidsklockan för att slå PÅ eller AV utgången, datumstyrt eller enligt rullande veckoschema.
Tidsstyrd omkopplare Underhåll	TSm	*2	Utnyttjar realtidsklockan för att slå PÅ eller AV utgången, datumstyrt eller enligt veckoschema. Styrningen kan ändras via "Inst. TS" i huvudmenyn "Huvudmeny".
Räknare	CN	16	Räknar uppåt vid pulser, kan återställas med signal.
Uppåt/nedåt-räknare	UD	22	Räknar uppåt eller nedåt, ställ in ett värde vid vilket utsignalen skall slås PÅ.
Jämför	CP	17	Jämför två värden med avseende på <,>,<=,>=,<> (analoga eller direktinställda värden eller FB-värden).
Offset och förstärkning	OG	22	Manipulerar analoga värden, $y = A/B * x + C$, ställ in övre och nedre gränsvärden.
Visning	DP	*3	Meddelande- och datavisning i LCD-teckenfönstret.

SWE

Tabell 10.4: Lista över funktionsblock

Funktionsblock		Erforderligt minnesutrymme (byte)	Funktion
Namn	Symbol		
Zonjämförelse	ZC	20	Jämför ett värde med en uppsättning värden (analoga eller direktinställda värden eller FB-värden).
Schmittrigger	ST	19	Slår PÅ en insignal vid högt värde och slår AV vid lågt värde (eller tvärtom).
Timräknare	HM	19	Räknar antalet timmar signalen varit PÅ.
Hastighetsdetektering	SPD	25	Signalväxlingsfrekvensen (på/av) mäts under en inställd tid. Frekvensen jämförs med ett intervall och utsignalen slås PÅ/AV enligt resultatet.
Pulsviddsmodulering	PWM	16	När detta funktionsblock körs, läggs ett kontinuerligt pulståg ut. Pulskaraktäristiken definieras som pulslängd (direktinställd, analog, FB-värden) och cykeltid.
Bibehållande alternerande	RAL	13	Utgången växlar mellan PÅ och AV vid varje inkommande puls. Utgångens senaste status bibehålls när strömförsörjningen slås AV och PÅ. Utgångens senaste status går dock förlorad då α2-styrenheten försätts i läge Stop.
Addition	ADD	20	$y = A + B$
Subtraktion	SUB	20	$y = A - B$
Multiplikation	MUL	20	$y = A \times B$
Division	DIV	20	$A \div B = q, r$ (kvot och rest)
Beräkning	CAL	*4	Ekvationer med +, -, ×, ÷, % och valda data.
Skift	SFT	19	Skiffunktion. När signalen "SFT" tas emot, läggs senaste status för signal "I" ut. Vid 8-bitars skift, skall skiffunktionsblocket köras 8 gånger.
GSM SMS	SMS	*5	Innehållet i LCD-teckenfönstret skickas som SMS-meddelande.
Slumpmässig enkelpuls	ROS	19	En enstaka puls av slumpmässig varaktighet skickas ut.
Fördröjd enkelpuls	DOS	20	En enstaka puls skickas ut efter fördröjning.
Fördröjd alternerande	DAL	16	Efter fördröjning växlar utgången mellan PÅ och AV vid varje inkommande puls.
Bibehållande Ställ/återställ	RSR	14	Låser ett relä i läge SET (ställ) eller RESET (återställ), prioriterar ställ eller återställ. Utgångens senaste status bibehålls när strömförsörjningen slås AV och PÅ. Utgångens senaste status går dock förlorad då α2-styrenheten försätts i läge Stop.
Visningskontroll	CDP	*6	Detta funktionsblock styr vilken skärmbild som visas i LCD-teckenfönstret. Funktionsblocket kan bara ställas in i programmet i AL-PCS/WIN-E. När styrbiten N04 är PÅ, går det att styra vilken skärmbild som visas.

Tabell 10.4: Lista över funktionsblock

Funktionsblock		Erforderligt minnesutrymme (byte)	Funktion
Namn	Symbol		
Anslut	_B	10	Detta anslutningsfunktionsblock är ett internt funktionsblock som används för att visa hur mycket minne som används av systembitar, AS-gränssnitt och funktionsknappar. Det visas inget funktionsblock, varken på skärmen eller som utnyttjat i dialogrutan "Memory Configuration Usage". Syftet är endast att beräkna hur mycket minne som används av de i listorna angivna bitarna.
Systemutgångar	Out	10	Styr externa enheter via reläer och transistorer.

*1 Antal använda byte = $19 + 1 \times$ (tecken i ekvationen)

*2 Antal använda byte = $8 + 4 \times$ (antal tidstyrda omkopplare)

*3 Antal använda byte styrs av visad post

Tabell 10.5: Visad post och antal använda byte

Visad post		Antal byte, α2-styrenhet
Tecken		$16 + 1 \times$ (varje visad tecken)
Analog, funktionsblocksvärde	Värde	17
	Diagram	23
Klockslag, datum		14
Tidsstyrd omkopplare		17

*4 Antal använda byte = $30 + 1 \times$ (tecken i ekvationen)

*5 Antal använda byte = $12 + 1 \times$ (tecken i e-postadress)

*6 Antal använda byte = $32 + 3 \times$ (antal skärmbilder)

Anteckningar

11. Diagnostik



Viktigt

- Vidrör inte några plintar under spänning. Detta kan nämligen ge dig en elektrisk stöt eller orsaka funktionsstörningar i utrustningen.



Viktigt

- Anslut strömförsörjning med korrekt spänning. Om strömförsörjning av med någon annan spänning än utrustningens märkspänning ansluts, kan utrustningen bli skadad eller fatta eld.
- Vid växelströmsförsörjning skall strömförsörjningens fasledare anslutas till plint "L" i huvudenheten, och dess nolledare till plint "N" i huvudenheten. Felaktig anslutning medför risk för elektrisk stöt, skador på styrenheten och brand.
- Anslut strömförsörjningens fasledare till ingångsplinten på växelströmsenheten.
- Vid likströmsförsörjning skall strömförsörjningens positiva ledare (+) anslutas till plint "+" i huvudenheten, och dess negativa ledare (-) till plint "-". Felaktig anslutning medför risk för elektrisk stöt, skador på styrenheten och brand.



Anmärkningar

- Styrenheterna i α2-serien får bara användas om antingen minneskassetten, kommunikationskabeln eller anslutningskåpan är monterad. I annat fall kan den blottade anslutningen orsaka skador på styrenheten och utsätta operatören för elektrisk stöt.
- Använd expansionskortet och anslutningskåpan när strömförsörjningen är inkopplad till α2-styrenheten. Felaktigt installerad utrustning kan orsaka elektrisk stöt eller skador på styrenheten.

SWE

11.1 Ingångsstatusfel

Försätt α2-styrenheten i läge Stop. Slå av och på strömförsörjningen till den utrustning som är ansluten till ingångarna och kontrollera att ingångsstatus visas korrekt. Om inte, genomför kontrollpunkterna nedan.

Ytterligare information om statusvisning finns i programmeringshandboken för α2.



Anmärkningar

Anslut inte ledare med lödda ändar till en α2-styrenhet.
Det orsakar nämligen dålig kontakt och risk för skjuvning av ledaren

- 1) Kontrollera att strömförsörjning och ingångar är korrekt anslutna.
- 2) Kontrollera att den utrustning som är ansluten till ingångarna motsvarar data i stycke 2.3 i den här handboken.

11.2 Utgångsstatusfel

Försätt α2-styrenheten i läge Stop. Tvångsstyr utgångarna PÅ/AV och kontrollera utgångarnas funktion. Kontrollera att programmet är korrekt skrivet för att utföra de önskade funktionerna.

Ytterligare information om tvångsstyrning PÅ/AV finns i programmeringshandboken för α2.



Anmärkningar

Innan du tvångsstyr utgångarna PÅ/AV, skall du noga kontrollera att det kan ske utan risk. Olämpligt utförd tvångsstyrning PÅ/AV kan medföra säkerhetsrisker eller skador på styrenheten eller den styrda utrustningen.
Om lämpliga säkerhetsåtgärder inte vidtas, kan styrenheten eller den styrda utrustningen ta skada.

- 1) Kontrollera att strömförsörjning och utgångar är korrekt anslutna.
- 2) Kontrollera att den utrustning som är ansluten till utgångarna motsvarar data i stycke 4.4 i den här handboken.

11.3 TOP MENU visas inte

Använd menyknappen för att komma till Top Menu. Tryck samtidigt på knapparna "OK" och "ESC". Om menyansknappen inte är inställd, kan du antingen använda programmeringsgränssnittet eller utföra tvångsstopp.

Det går inte att komma åt Top Menu via knapparna. Du kan i stället komma till huvudmenyn genom att slå av och på strömförsörjningen och under startförloppet trycka samtidigt på "OK" och "ESC".



Viktigt

Innan du utför tvångsstopp, skall du noga kontrollera att det kan ske utan risk. Olämpligt utförd tvångsstyrning PÅ/AV kan medföra säkerhetsrisker eller skador på styrenheten eller den styrda utrustningen.

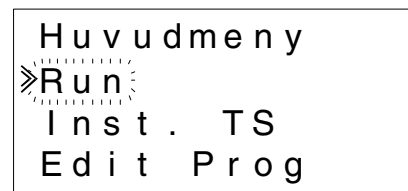
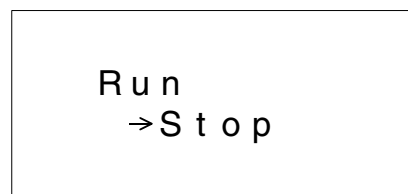
Om lämpliga säkerhetsåtgärder inte vidtas, kan styrenheten eller den styrda utrustningen ta skada.

Tvångsstopp

- 1) Stäng av α2-styrenhetens strömförsörjning.
- 2) Håll knapparna OK och ESC intryckta samtidigt och slå på strömförsörjningen igen.
Skärmbilden till höger visas.

Under cirka 5 sekunder har du nu möjlighet att försätta styrenheten i läge Stop. Tryck på OK för att gå över till läge Stop. Om du inte trycker på någon knapp, går styrenheten automatiskt tillbaka till läge Run.

- 3) Tryck på knappen ESC.
Top Menu till höger visas.



SWE

11.4 Det går inte att gå över till driftläge

Om α2-styrenheten inte slår om till läge Run, kontrollera följande.

- 1) Meddelandet "Input Error" eller "Output Error" visas.
Programmet i minneskassetten har fler in- och/eller utgångar än styrenheten kan hantera.
 - a) Vid programmering med hjälp av programmeringsgränssnittet.
Programinnehåll och modell kontrolleras med programmeringsgränssnittet. Skriv in programmet i α2-styrenheten, använd inte minneskassetten.
 - b) Vid programmering med hjälp av knapparna på α2-styrenhetens frontpanel.
Ta ut minneskassetten och skriv in programmet på nytt.
 - c) Sätt i minneskassetten i en α2-styrenhet av 24-punkterstyp.
 - d) Skriv in programmet i en α2-styrenhet av samma typ som den i vilken programmet skall användas.
- 2) Felaktiga programdata.
Om programmet inte kan visas med "Prog.red." i "Huvudmeny", kan programmet vara skadat. Radera programmet och växla från TopMenu till läge Run.
 - a) Skriv in programmet på nytt och växla till läge Run.
 - b) Om det inte går att växla till läge Run, kontakta någon av Mitsubishis återförsäljare.

11.5 Felaktiga klockdata

Kontrollera följande.

- 1) Förlorade tidsdata.
När strömförsörjningen till α2-styrenheten varit avstängd i 20 dygn eller mer (25 °C) går tidsdata förlorade. Tidsdata måste då ställas in på nytt.
Ytterligare information om inställning av tidsdata finns i programmeringshandboken för α2.
- 2) Klockan går fel. Klockans gångnoggrannhet är 5 sekunder per dygn. Ställ klockan rätt med hjälp av tidskorrigeringsfunktionen när den ackumulerade avvikelsen blir för stor.
Ytterligare information om inställning av klockan finns i programmeringshandboken för α2.

11.6 Ett frågetecken, ?, visas i teckenfönstret

Tecknet ? visas om du trycker på en knapp som är ogiltig i den aktuella skärmbilden. Kontrollera vilka knappar som är giltiga och använd dem.



11.7 Kontrollknapparna fungerar inte

Kontrollera knapparnas funktion enligt nedan om α2-styrenheten inte reagerar korrekt på en knapptryckning. Om stegen i (1)–(5) nedan kan utföras, fungerar knapparna korrekt. Kontrollera om knappen/knapparna används i programmet.

- 1) Försätt styrenheten i läge Stop. Om det inte går att växla till läge Stop, kontakta någon av Mitsubishis återförsäljare.



Viktigt

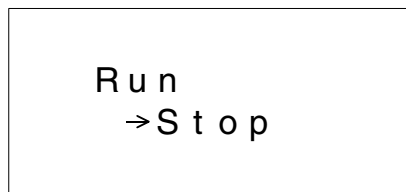
Innan du utför tvångsstopp, skall du noga kontrollera att det kan ske utan risk. Olämpligt utförd tvångsstyrning PÅ/AV kan medföra säkerhetsrisker eller skador på styrenheten eller den styrda utrustningen.

Om lämpliga säkerhetsåtgärder inte vidtas, kan styrenheten eller den styrda utrustningen ta skada.

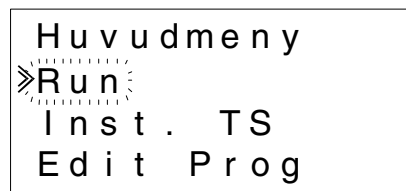
Tvångsstopp

- a) Stäng av α2-styrenhetens strömförsörjning.
- b) Håll knapparna "OK" och "ESC" intryckta samtidigt och slå på strömförsörjningen igen. Skärmbilden till höger visas i 5 sekunder.

Under cirka 5 sekunder har du nu möjlighet att försätta styrenheten i läge Stop. Tryck på "OK" för att gå över till läge Stop. Om du inte trycker på någon knapp, går styrenheten automatiskt tillbaka till läge Run.

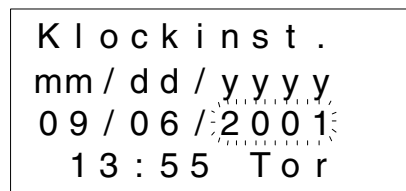


- c) Tryck på knappen "ESC". Top Menu till höger visas.



- 2) Bläddra genom Top Menu med knappen "▲" eller "▼". Kontakta en Mitsubishi-återförsäljare om det inte går att bläddra.

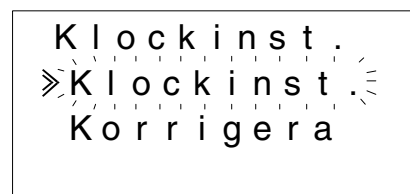
- 3) Flytta markören till "ClockSet" med knappen "▲" eller "▼" och tryck två gånger på "OK". Skärmbilden "Klockinst." till höger visas. Kontakta en Mitsubishi-återförsäljare om den inte visas.



- 4) Försök ställa om månad och år med knapparna "◀" och "▶" samt "+" och "-". Kontakta en Mitsubishi-återförsäljare om det inte går att ställa om månad och år.

SWE

- 5) Tryck på knappen "ESC".
Skärmbilden till höger visas och operation (4) annulleras.
Kontakta en Mitsubishi-återförsäljare om inte rätt skärmbild visas.



11.8 LCD-fel

Kontrollera följande.

- 1) Tecknen visas inverterade och hela teckenfönstret är svart.
Kontakta en Mitsubishi-återförsäljare om detta fel uppstår. α2-styrenheten har blivit skadad.
- 2) Oväntade data eller skärmbilder visas.
Om visningen i teckenfönstret inte är den förväntade, kontrollera följande punkter i programmet.
 - a) Justera startpositionen för varje visningsfunktion. Två olika visningsposter kan nämligen överlappa varandra, vilket ger underliga resultat i teckenfönstret.
 - b) Tecken visas inte.
 - Kontrollera att funktionsblocket för teckenfönstret är aktivt.
 - Kontrollera om det föreligger konflikt med något annat teckenfönster.

11.9 Minneskassetten fungerar inte korrekt

Om minneskassetten inte blir igenkänd eller om dess överföringsfunktioner inte arbetar korrekt, kontrollera följande.



Anmärkningar

- Använd minneskassetten, telekommunikationskabeln och anslutningskåpan när strömförsörjningen är inkopplad till α2-styrenheten.
Felaktigt installerad utrustning kan orsaka elektrisk stöt eller skador på styrenheten.
- 1) Minneskassetten måste vara korrekt installerad. Installationsinformation finns i stycke 6.1.
 - 2) Meddelandet "Skydda SW" visas.
Dataskyddet (Skydda SW) är inställt.
Anvisningar för hur du låser upp denna inställning finns i programmeringshandboken för α2.
 - 3) Meddelandet "Password error" visas.
Lösenordsskydd är inställt. Avaktivera lösenordet och försök igen.
Anvisningar för hur du avaktiverar lösenordet finns i programmeringshandboken för α2.
- Med alternativet "Prog.rens." kan du radera lösenordet, programmet och alla Huvudmeny-inställningar. Styrenheten återgår då till fabriksinställningarna.
Anvisningar för hur du använder "Prog.rens." finns i programmeringshandboken för α2.

11.10 Kommunikationen med AS-gränssnittets mastermodul fungerar inte

Kontrollera följande.



Anmärkningar

- Använd expansionskortet och anslutningskåpan när strömförsörjningen är inkopplad till α2-styrenheten.
Felaktigt installerad utrustning kan orsaka elektrisk stöt eller skador på styrenheten.
- 1) Kontrollera att AS-gränssnittets strömförsörjning fungerar.
 - 2) Kontrollera att kontrollbit N1 är AV. Använd vid behov någon av de båda metoderna nedan för att ändra status.
 - a) När program inte används.
Anvisningar för hur du tvångsstyr status till avstängt läge finns i programmeringshandboken för α2.
 - b) När program används.
Ändra programmet eller påverka ingångarna så att kontrollbit N1 stängs AV.
 - 3) Kontrollera att slavadressen är korrekt.
Ställ in slavadressen från AS-gränssnittets mastermodul.
Anvisningar för adressinställning av finns i stycke 9.4.1 samt i handboken för AS-gränssnittets mastermodul.
 - a) Konflikt mellan adressen till AL2-ASI-BD och en annan slavenhets adress.
Ställ in adresserna så att konflikten upphör.
 - b) Slavadressen är 0.
Ställ in en giltig slavadress från AS-gränssnittets mastermodul.
 - 4) AL2-ASI-BD är inte en aktiv slavenhet på mastermodulsidan.
Kontrollera mastermodulens inställning.
Anvisningar för denna kontroll finns i handboken för AS-gränssnittets mastermodul.

SWE

11.11 Kommunikationen med AL-PCS/WIN-E fungerar inte

Kontrollera följande.



Anmärkningar

Använd alltid minneskassetten eller anslutningskåpan när kommunikationskabeln är installerad.

I annat fall uppstår fara för elektrisk stöt, och utrustningen kan bli förstörd.

- 1) Kontrollera kabelanslutningen (AL-232CAB).
Anvisningar om hur anslutningen skall vara utförd finns i stycke 7.2.
- 2) Kontrollera strömförsörjningen till α2-styrenheten.
Anvisningar om hur strömförsörjningen skall vara ansluten finns i stycke 4.
Se även stycke 2.2 för tekniska data om strömförsörjningen.
- 3) Kontrollera att den COM-port på persondatorn som AL-232CAB-kabeln är ansluten till överensstämmer med den kommunikationsport som konfigurerats med programmeringsgränssnittet, och korrigerar vid behov.
- 4) Vid fjärrunderhåll via modem.
 - a) Kontrollera att modemmet är rätt inställt på α2-sidan.
Anvisningar för modem anslutet till α2-sidan finns i stycke 7.3 samt i programmeringshandboken för α2-styrenheten.
 - b) Kontrollera den kabelanslutning kunden utfört.
Anvisningar rörande kabelanslutning finns i stycke 7.3.2.
 - c) Kontrollera modemets inställning på programvarusidan.
Kontrollera att modemets installationsdiskett har fungerat korrekt.