

10 9 8 7 6 5 4 3 2 1

F

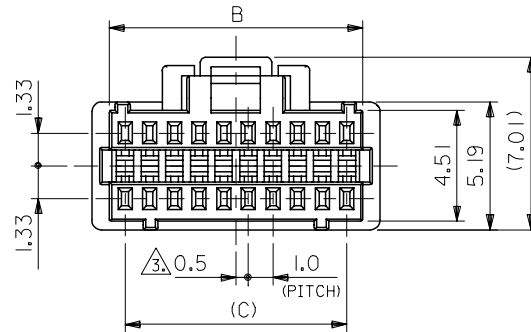
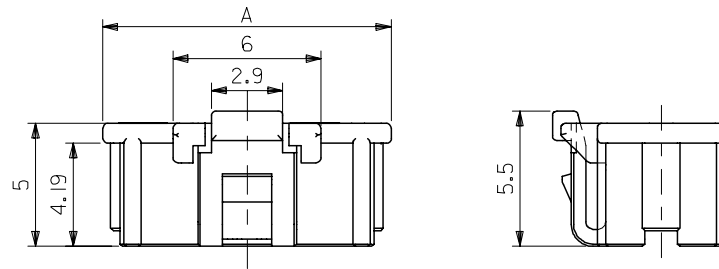
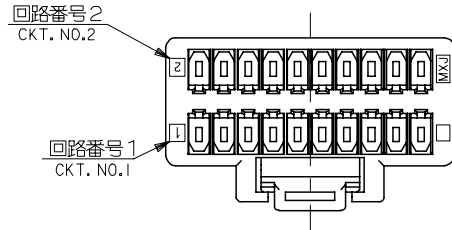
E

D

C

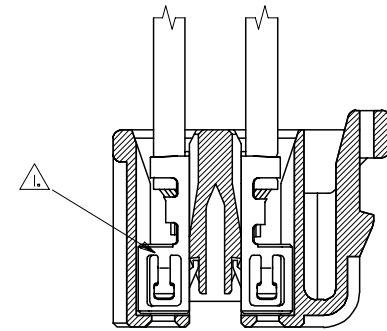
B

A



NOTES.

- 1. 適合ターミナル：501193-****
APPLICABLE TERMINAL : 501193-****
- 2. 嵌合相手：501190-**1*
MATE WITH : 501190-**1*
- 3. 極数/2=偶数に適用。
APPLY FOR CIRCUIT SIZE/2=EVEN



ターミナル装着図
TERMINAL ASSEMBLY DRAWING

24	25.3	26.7	501189-5010	50
19	20.3	21.7	501189-4010	40
14	15.3	16.7	501189-3010	30
9	10.3	11.7	501189-2010	20
C	B	A	MATERIAL NO.	CKT.

MATERIAL 66NYLON UL94V-0 COLOR:WHITE GLASS FILLED:0%	REV 0 EC NO: J2005-2008 DRWN: NYOSHIDA 2005/01/14 CHKD: MYAGI 2005/01/14 APPR: ANODA 2005/01/20 RELEASED	GENERAL TOLERANCES (UNLESS SPECIFIED)		DIMENSION STYLE MM ONLY	SCALE 5:1	DESIGN UNITS METRIC	THIRD ANGLE PROJECTION	
		10 UNDER	±0.2	DRAWN BY NYOSHIDA	DATE 2004/12/17	TITLE 1.0 WIRE TO BOARD CONN. 2-ROW RECEPTACLE HOUSING		
		10 OVER 30 UNDER	±0.25	CHECKED BY MYAGI	DATE 2004/12/17	MOLEX INCORPORATED		
		30 OVER	±0.3	APPROVED BY ANODA	DATE 2004/12/17	DOCUMENT NO. SD-501189-002	SHEET NO. 1 OF 1	
ANGULAR ±3 °		DRAFT WHERE APPLICABLE MUST REMAIN WITHIN DIMENSIONS		MATERIAL NO. SEE CHART		THIS DRAWING CONTAINS INFORMATION THAT IS PROPRIETARY TO MOLEX INCORPORATED AND SHOULD NOT BE USED WITHOUT WRITTEN PERMISSION		

9

8

7

6

5

4

3

2