

## Connecting clamps with mounting base

### Technopolymer

#### CLAMP

Glass-fibre reinforced polyamide based (PA) technopolymer, RAL 9005 (C9) black colour or grey RAL 7040 (C33) colour, matte finish.

#### SCREW AND NUT (SUPPLIED)

Cylindrical-head screws with hexagon socket in AISI 304 stainless steel with anti-seizure treatment.  
Self-locking nut in AISI 304 stainless steel.

#### FEATURES

Clamps for tubes with a diameter of  $18 \pm 0.2$  and  $30 \pm 0.2$  mm.  
For smaller diameter tubes, the hole reduction sleeves TCC-A can be used (ordered separately).  
The "s" grub screw may be replaced by the kit TCC-KS.

#### TECHNICAL DATA

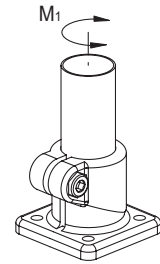
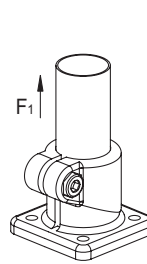
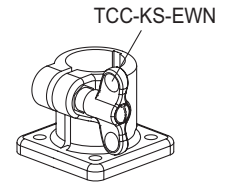
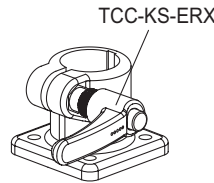
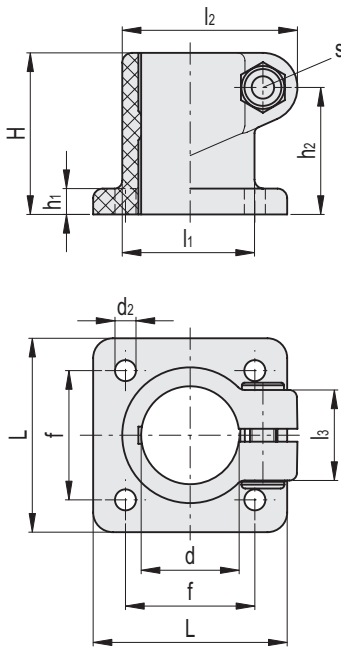
The resistance values shown in the table were measured during laboratory tests at ambient temperature with the screws tightened to the maximum torque "C#".

#### ACCESSORIES ON REQUEST (TO BE ORDERED SEPARATELY)

- TCC-A (see page -): reduction sleeves.
- TCC-KS (see page -): clamping kit.
- TCC-KV (see page -): screws and clamping nuts.
- GN 990 (see page -): connecting tubes.



ELESA Original design



C9 RAL9005
  C33 RAL7040

**STAINLESS STEEL**

Code	Description	d	L	H	d2	f ±0.2	h1	h2	l1	l2	l3	s	C# [Nm]	F1* [N]	M1** [Nm]	⚖️
600111-C9	TCC-AB-18-C9	18	45	34	5.3	30	5	25	26	36.5	20	M6	5	1050	8	29
600111-C33	TCC-AB-18-C33	18	45	34	5.3	30	5	25	26	36.5	20	M6	5	1050	8	29
600211-C9	TCC-AB-30-C9	30	60	50	6.5	42	8	40	40	53.5	27	M8	12	1650	33	75
600211-C33	TCC-AB-30-C33	30	60	50	6.5	42	8	40	40	53.5	27	M8	12	1650	33	75

# Suggested torque for screw assembly.

\* Resistance to tube pull out

\*\* Resistance to tube rotation