



## Micro-D MWDM-CBR Right Angle Thru-Hole Printed Circuit Board Connectors



**High Performance** – These connectors feature gold-plated TwistPin contacts for best performance. PC tails are .020 inch diameter. Specify nickel-plated shells or cadmium plated shells for best availability.

**Solder-Dipped** – Terminals are coated with Sn60/Pb40 tin-lead solder for best solderability. Optional gold-plated terminals are available for RoHS compliance.

**Rear Mountable** – Can be installed through panels up to .125 inch thick. Specify rear panel mount jackposts.

### How To Order CBR Style PCB Micro-D Connectors

Sample Part Number	MWDM	2	L	-15	P	CBR	R3	T	-.110	513
<b>Series</b>	MWDM Glenair Micro-D									
<b>Shell Material and Finish</b>	Aluminum Shell 1 - Cadmium 2 - Nickel 4 - Black Anodize 5 - Gold 6 - Chem Film		Stainless Steel Shell 3 - Passivated							
<b>Insulator Material</b>	L - LCP or PPS LCP - 30% Glass-filled liquid crystal polymer PPS - 40% Glass-filled polyphenylene sulfide									
<b>Contact Layout</b>	9, 15, 21, 25, 31, 37, 51, 69, 75, 100, 130 (See Table II)									
<b>Contact Type</b>	P – Pin S – Socket									
<b>Termination Type</b>	CBR - Condensed Board Right Angle									
<b>Jackpost Option</b>	(Omit for None) P – Jackpost		Jackposts for Rear Panel Mounting R1 – .032" Panel R2 – .047" Panel R3 – .062" Panel R4 – .093" Panel R5 – .125" Panel R6 – .080" Panel (See Table I)							
<b>Threaded Insert Option</b>	T - Threaded Insert In Board Mount Hole Omit - for Thru-Hole									
<b>Terminal Length in Inches</b>	.080, .110, .125, .140, .150, .172, .190, .250 Length in Inches ± .015 (0.38)									
<b>Gold-Plated Terminal Mod Code</b>	These connectors are solder-dipped in 60/40 tin-lead solder. To delete the solder dip and change to gold-plated terminals, add code 513									

Table I: Jackpost Options

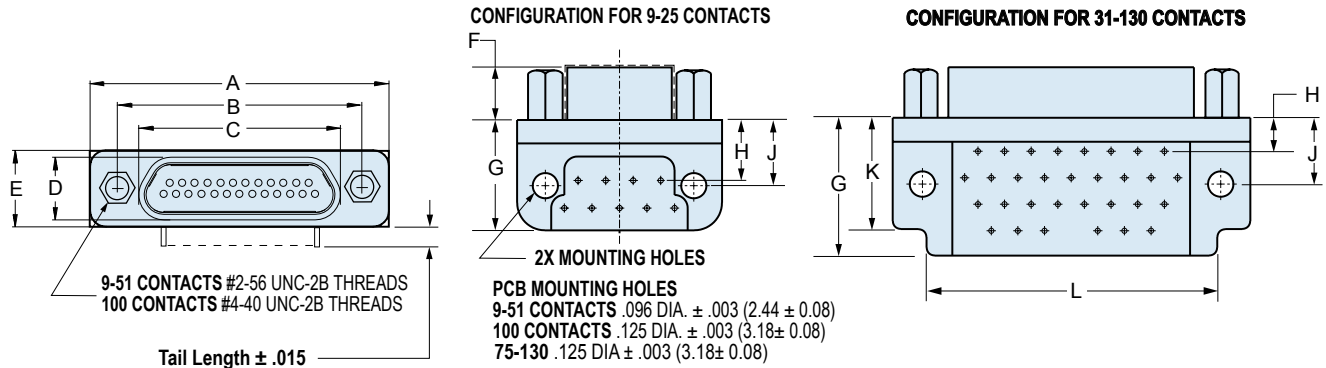
No Designator	P	R1 Thru R6
<p>THREADED INSERT</p>		<p>Panel</p>
<p>Thru-Hole For use with Glenair jackposts only. Order hardware separately. Install with threadlocking compound.</p>	<p>Standard Jackpost Factory installed, not intended for removal.</p>	<p>Jackpost for Rear Panel Mounting Shipped loosely installed. Install with permanent threadlocking compound.</p>

# Micro-D MWDM-CBR Right Angle Thru-Hole Printed Circuit Board Connectors



Micro-D PCB

Table II: Dimensions



C

Layout	A Max.		B		C Max.		D Max.		E Max.		F		G Max.		H		J		K Max.		L Max.	
	In.	mm.	In.	mm.	In.	mm.	In.	mm.	In.	mm.	In.	mm.	In.	mm.	In.	mm.	In.	mm.	In.	mm.	In.	mm.
9P	.787	19.94	.565	14.35	.333	8.46	.184	4.67	.310	7.87	.183	4.65	.425	10.80	.230	5.84	.250	6.35	---	---	---	---
9S	.787	19.94	.565	14.35	.400	10.16	.250	6.35	.310	7.87	.195	4.95	.425	10.80	.230	5.84	.250	6.35	---	---	---	---
15P	.937	23.75	.715	18.16	.483	12.27	.184	4.67	.310	7.87	.183	4.65	.425	10.80	.130	3.30	.250	6.35	---	---	---	---
15S	.937	23.75	.715	18.16	.551	14.00	.250	6.35	.310	7.87	.195	4.95	.425	10.80	.130	3.30	.250	6.35	---	---	---	---
21P	1.087	27.56	.865	21.97	.633	16.08	.184	4.67	.310	7.87	.183	4.65	.425	10.80	.130	3.30	.250	6.35	---	---	---	---
21S	1.087	27.56	.865	21.97	.701	17.81	.250	6.35	.310	7.87	.195	4.95	.425	10.80	.130	3.30	.250	6.35	---	---	---	---
25P	1.187	30.01	.965	24.51	.733	18.62	.184	4.67	.310	7.87	.183	4.65	.425	10.80	.130	3.30	.250	6.35	---	---	---	---
25S	1.187	30.01	.965	24.51	.801	20.35	.250	6.35	.310	7.87	.195	4.95	.425	10.80	.130	3.30	.250	6.35	---	---	---	---
31P	1.337	33.91	1.115	28.32	.883	22.43	.184	4.67	.310	7.87	.183	4.65	.525	13.34	.130	3.30	.250	6.35	.450	11.43	1.085	27.56
31S	1.337	33.91	1.115	28.32	.951	24.16	.250	6.35	.310	7.87	.195	4.95	.525	13.34	.130	3.30	.250	6.35	.450	11.43	1.085	27.56
37P	1.487	37.72	1.265	32.13	1.033	26.24	.184	4.67	.310	7.87	.183	4.65	.525	13.34	.130	3.30	.250	6.35	.450	11.43	1.185	30.10
37S	1.487	37.72	1.265	32.13	1.101	27.96	.250	6.35	.310	7.87	.195	4.95	.525	13.34	.130	3.30	.250	6.35	.450	11.43	1.185	30.10
51P	1.435	36.45	1.215	30.86	.983	24.97	.228	5.79	.351	8.92	.183	4.65	.660	16.76	.150	3.81	.300	7.62	.450	11.43	1.225	31.12
51S	1.435	36.45	1.215	30.86	1.051	26.70	.296	7.52	.351	8.92	.195	4.95	.660	16.76	.150	3.81	.300	7.62	.450	11.43	1.225	31.12
69P	1.740	44.20	1.515	38.48	1.283	32.59	.228	5.79	.351	8.92	.183	4.65	.750	19.05	.150	3.81	.300	7.62	.450	11.43	1.530	38.86
69S	1.740	44.20	1.515	38.48	1.351	34.32	.296	7.52	.351	8.92	.195	4.95	.750	19.05	.150	3.81	.300	7.62	.450	11.43	1.530	38.86
75P	2.080	52.83	1.705	43.31	1.384	35.15	.228	5.79	.351	8.92	.183	4.65	0.750	19.05	.150	3.81	.300	7.62	.450	11.43	1.725	43.82
75S	2.080	52.83	1.705	43.31	1.450	36.83	.296	7.52	.351	8.92	.195	4.95	0.750	19.05	.150	3.81	.300	7.62	.450	11.43	1.725	43.82
100P	2.175	55.12	1.800	45.72	1.383	35.13	.270	6.86	.394	10.01	.183	4.65	1.010	25.65	.200	5.08	.400	10.16	.590	14.99	1.820	46.23
100S	2.175	55.12	1.800	45.72	1.451	36.86	.333	8.46	.394	10.01	.195	4.95	1.010	25.65	.200	5.08	.400	10.16	.590	14.99	1.820	46.23
130P	2.520	64.01	2.150	54.61	1.735	44.07	.270	6.86	.394	10.01	.183	4.65	1.010	25.65	.200	5.08	.400	10.16	.620	15.75	2.160	54.86
130S	2.520	64.01	2.150	54.61	1.735	44.07	.333	8.46	.394	10.01	.195	4.95	1.010	25.65	.200	5.08	.400	10.16	.620	15.75	2.160	54.86

Performance Specifications	
Current Rating	3 AMP
DWV	600 VAC Sea level
Insulation Resistance	5000 Megohms Minimum
Contact Resistance	8 Milliohms Maximum
Low Level Contact Resist.	32 Milliohms Maximum
Magnetic Permeability	2 μ Maximum
Operating Temperature	-55° C. to +150° C.
Shock, Vibration	50 g., 20g.
Mating Force	(10 Ounces) X (# of Contacts)

Materials and Finishes	
Connector Shell	Aluminum Alloy 6061 or Stainless Steel, 300 Series, passivated. See Ordering Info for Plating Options
Insulator, Tray	Liquid Crystal Polymer (LCP)/ Polyphenylene Sulfide (PPS)
Interfacial Seal	Fluorosilicone Rubber, Blue
Pin Contact	Copper Alloy, Gold over Nickel Plating
Socket Contact	Copper Alloy, Gold Over Nickel Plating
PCB Terminals	Gold Plated Copper Alloy, Solder Dipped
Hardware	300 Series Stainless Steel
Encapsulant	Epoxy Resin Hysol EE4215



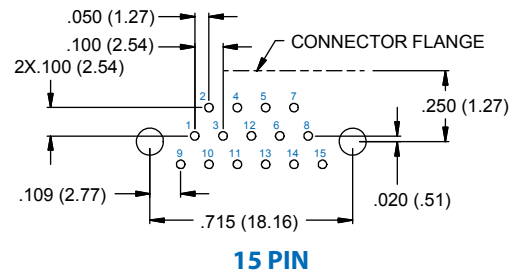
# Micro-D MWDM-CBR Right Angle Thru-Hole Printed Circuit Board Connectors

## MICRO-D CBR Board Mount Connector PCB Layouts – Pin Connectors

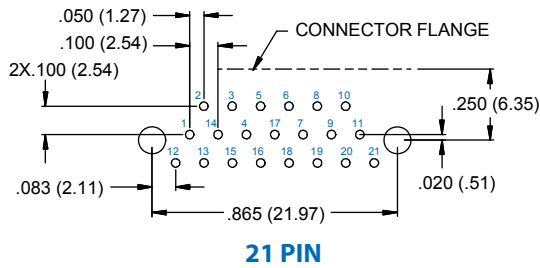
Patterns shown are for connector mounting side of PC board. 9 Thru 69 Contacts .096 (2.44) Diameter Mounting Holes, 75-130 Pin .125 (3.18) Diameter



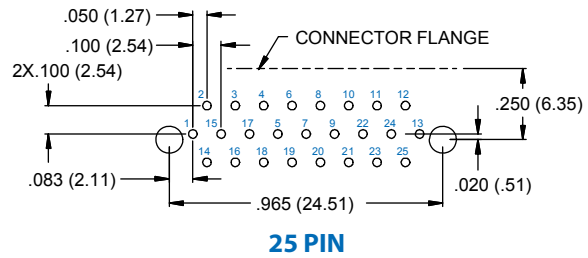
9 PIN



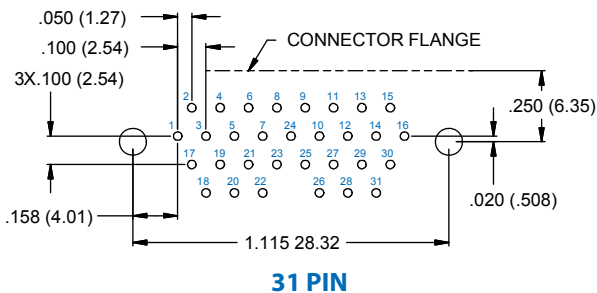
15 PIN



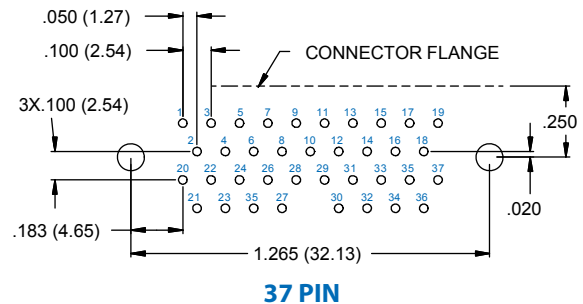
21 PIN



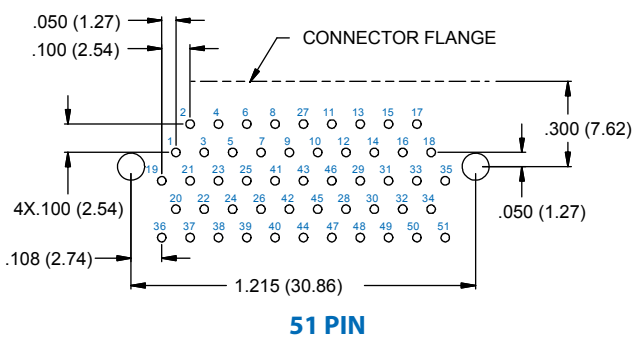
25 PIN



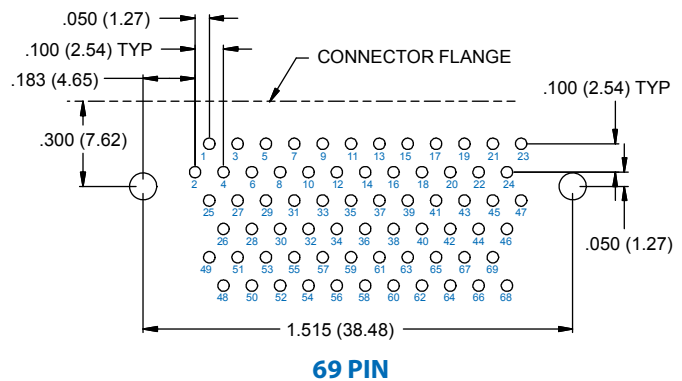
31 PIN



37 PIN



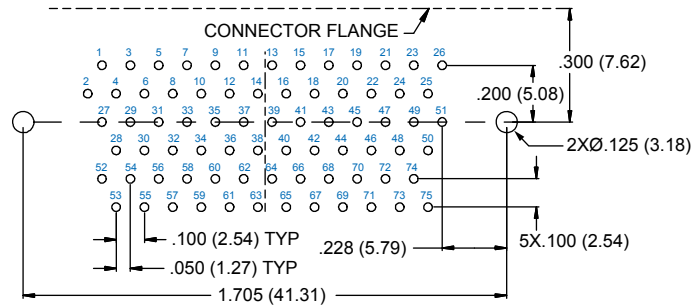
51 PIN



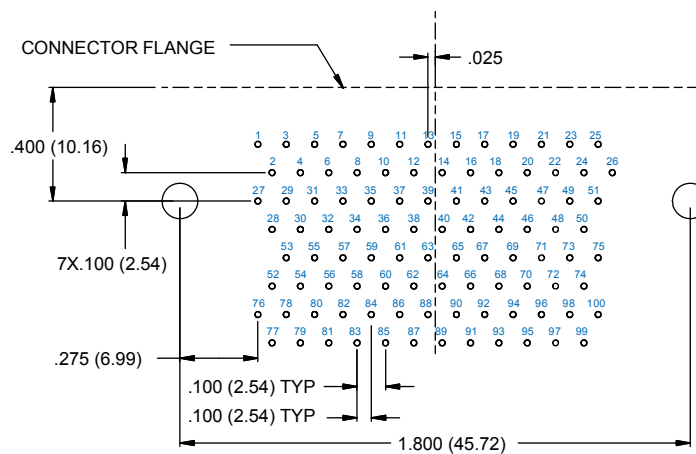
69 PIN

## MICRO-D CBR Board Mount Connector PCB Layouts – Pin Connectors

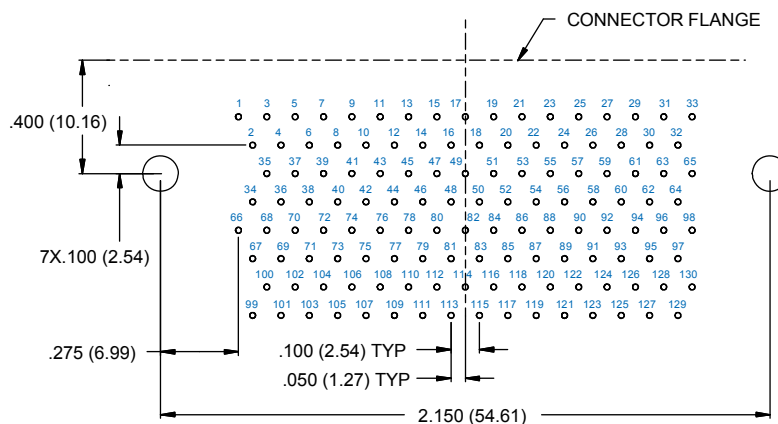
Patterns shown are for connector mounting side of PC board. 9 Thru 69 Contacts .096 (2.44) Diameter Mounting Holes, 75-130 Pin .125 (3.18) Diameter



75 PIN



100 PIN



130 PIN



# Micro-D MWDM-CBR Right Angle Thru-Hole Printed Circuit Board Connectors

## MICRO-D CBR Board Mount Connector PCB Layouts – Socket Connectors

Patterns shown are for connector mounting side of PC board. 9 Thru 69 Contacts .096 (2.44) Diameter Mounting Holes, 75-130 Pin .125 (3.18) Diameter



**9 SOCKET**



**15 SOCKET**



**21 SOCKET**



**25 SOCKET**



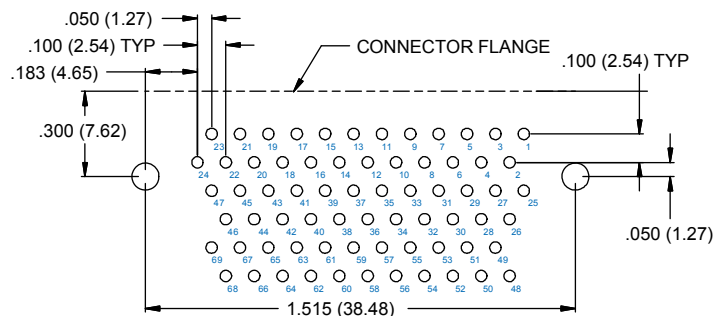
**31 SOCKET**



**37 SOCKET**



**51 SOCKET**



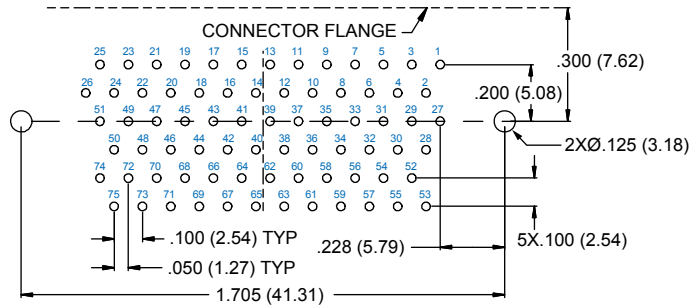
**69 SOCKET**

Micro-D MWDM-CBR  
Right Angle Thru-Hole  
Printed Circuit Board Connectors

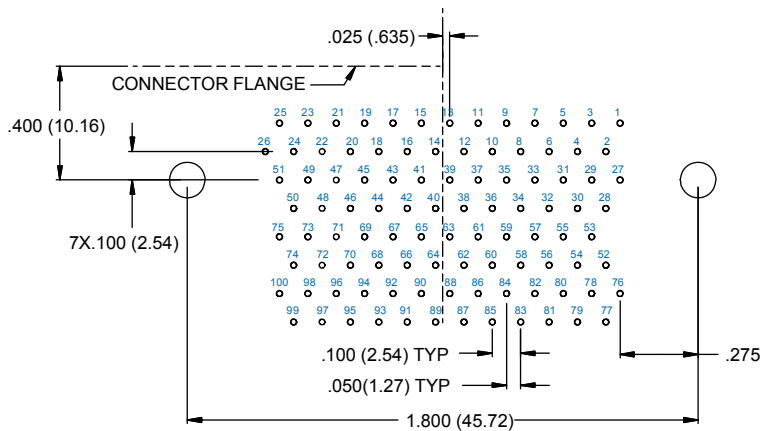


**MICRO-D CBR Board Mount Connector PCB Layouts – Socket Connectors**

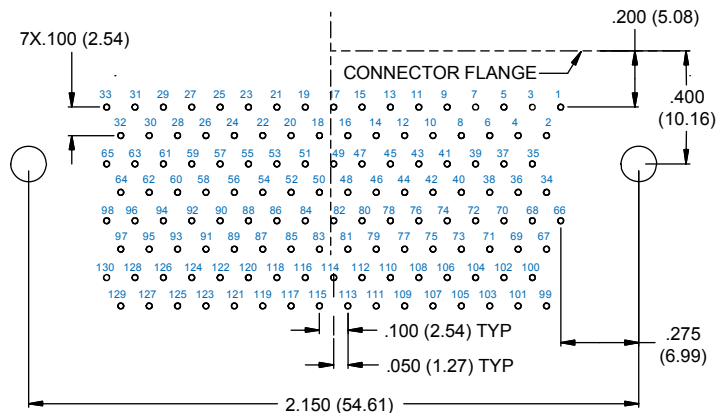
Patterns shown are for connector mounting side of PC board. 9 Thru 69 Contacts .096 (2.44) Diameter Mounting Holes, 75-130 Pin .125 (3.18) Diameter



**75 SOCKET**



**100 SOCKET**



**130 SOCKET**

# Mouser Electronics

Authorized Distributor

Click to View Pricing, Inventory, Delivery & Lifecycle Information:

## Glenair:

[MWDM1L-51PCBRP-.150](#) [MWDM1L-9PCBRP-.150](#) [MWDM2L-25PCBRP-.150](#) [MWDM2L-37PCBRPT-.110](#)  
[MWDM2L-51PCBR-.110](#) [MWDM2L-9PCBRP-.110](#) [MWDM2L-9SCBR-.110](#) [MWDM2L-37SCBRP-.150](#) [MWDM1L-31SCBRP-.250](#) [MWDM1L-51PCBRP-.110](#) [MWDM1L-9SCBRR5-.110](#) [MWDM1L-9SCBR-.110](#) [MWDM2L-37SCBRP-.110](#) [MWDM2L-51SCBRPT-.110](#) [MWDM1L-21PCBR-.125](#) [MWDM1L-21PCBRR3-.110](#) [MWDM1L-21SCBR-.125](#)  
[MWDM1L-21SCBRP-.080](#) [MWDM1L-21SCBRR4-.110](#) [MWDM1L-25PCBRPT-.110](#) [MWDM1L-25SCBR-.250](#)  
[MWDM1L-25SCBRR1T-.150](#) [MWDM1L-25SCBRR3-.110](#) [MWDM1L-31PCBR-.150](#) [MWDM1L-31PCBRPT-.110](#)  
[MWDM1L-31PCBRR2T-.190](#) [MWDM1L-31SCBR-.250](#) [MWDM1L-31SCBRP-.110](#) [MWDM1L-31SCBRR2-.150](#)  
[MWDM1L-37PCBR-.110](#) [MWDM1L-37PCBR-.150](#) [MWDM1L-37PCBRP-.110](#) [MWDM1L-37PCBRR3-.110](#) [MWDM1L-37PCBRR4T-.110](#) [MWDM1L-37SCBR-.110](#) [MWDM1L-37SCBRP-.110](#) [MWDM1L-37SCBRR2-.110](#) [MWDM1L-37SCBRR4T-.110](#) [MWDM1L-51PCBR-.110](#) [MWDM1L-51PCBRR3-.110](#) [MWDM1L-51PCBRT-.110](#) [MWDM1L-51SCBRPT-.110](#) [MWDM1L-9PCBR-.110](#) [MWDM1L-9PCBR-.125](#) [MWDM1L-9PCBR-.190](#) [MWDM1L-9PCBRR1-.110](#) [MWDM1L-9PCBRR2-.110](#) [MWDM1L-9PCBRR3-.110](#) [MWDM1L-9PCBRR4-.110](#) [MWDM1L-9PCBRR5-.110](#) [MWDM1L-9SCBR-.125](#) [MWDM1L-9SCBRP-.110](#) [MWDM1L-9SCBRR1-.110](#) [MWDM1L-9SCBRR2-.110](#) [MWDM1L-9SCBRR2T-.110](#) [MWDM1L-9SCBRR3-.110](#) [MWDM1L-9SCBRR4-.110](#) [MWDM2L-100PCBRP-.110](#) [MWDM2L-100PCBRPT-.110](#) [MWDM2L-100PCBRR3-.110](#) [MWDM2L-100SCBRR2-.110](#) [MWDM2L-100SCBRR2T-.110](#) [MWDM3L-51PCBRPT-.080](#) [MWDM1L-100PCBR-.110](#) [MWDM1L-100PCBRPT-.110](#) [MWDM1L-100PCBRR3-.110](#) [MWDM1L-100SCBR-.110](#) [MWDM1L-100SCBRR1T-.110](#) [MWDM1L-100SCBRR3-.110](#) [MWDM1L-15PCBR-.080](#) [MWDM1L-15PCBR-.110](#) [MWDM1L-15PCBR-.150](#) [MWDM1L-15PCBRR3-.110](#) [MWDM1L-15PCBRR3T-.110](#) [MWDM1L-15SCBR-.080](#) [MWDM1L-15SCBR-.125](#) [MWDM1L-15SCBRR2-.110](#) [MWDM1L-15SCBRR3T-.110](#) [MWDM1L-15SCBRR5-.080](#) [MWDM2L-9PCBR-.110](#) [MWDM2L-51PCBR-.250](#) [MWDM2L-51PCBRP-.080](#) [MWDM2L-51PCBRP-.110](#) [MWDM2L-51PCBRP-.125](#) [MWDM2L-51PCBRPT-.110](#) [MWDM2L-51PCBRR1-.110](#) [MWDM2L-51PCBRR2T-.250](#) [MWDM2L-51PCBRR3T-.110](#) [MWDM2L-51PCBRT-.250](#) [MWDM2L-51SCBR-.110](#) [MWDM2L-51SCBR-.125](#) [MWDM2L-51SCBRP-.110](#) [MWDM2L-51SCBRR1T-.080](#) [MWDM2L-51SCBRR2T-.110](#) [MWDM2L-51SCBRR3T-.110](#) [MWDM2L-51SCBRR5-.172](#) [MWDM2L-51SCBRT-.250](#) [MWDM2L-9PCBR-.150](#) [MWDM2L-9PCBRP-.080](#) [MWDM2L-9PCBRP-.150](#)