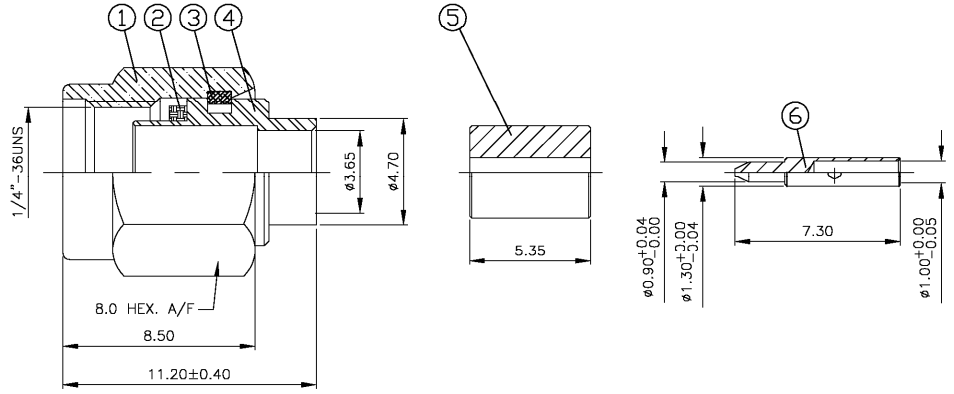


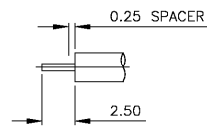
THIS DRAWING IS UNPUBLISHED. RELEASED FOR PUBLICATION APRIL, 2004. COPYRIGHT 2004 BY TYCO ELECTRONICS CORPORATION. ALL RIGHTS RESERVED.

LOC	DIST	REVISIONS					
E	B	P	LTR	DESCRIPTION	DATE	DWN	APVD
		A		EBD0-0035-03	28JAN04	RS	FWK

- NOTES:
- 1 SINGLE PACK IN ACCORDANCE WITH SPEC 107-3275
 - 2 100 TRAY PACK IN ACCORDANCE WITH SPEC 107-3275
 - 3 0.08µm Au PLATING OVER 1.27µm Ni PLATING
 - 4 0.08µm Au PLATING OVER 1.27µm Ni PLATING OVER 0.76µm Cu PLATING
 - 5 0.76µm Au PLATING OVER 1.27µm Ni PLATING OVER 0.76µm Cu PLATING
 - 6 PASSIVATED (GOLD PLATED CABLE ENTRY)
 - 7 FOR TECHNICAL DATA REFER TO YOUR LOCAL TYCO ELECTRONICS SALES OFFICE
 - 8 ALL DIMENSIONS ARE NOMINAL FOR REFERENCE ONLY UNLESS OTHERWISE STATED



RECOMMENDED CABLE STRIPPING DIM'S



	1	1	1	1	1	1	1	1	1	BRASS	△	CENTER CONTACT	6	
	1	1	1	1	1	1	1	1	1	PTFE	△	INSULATOR	5	
	1	1	-	-	-	-	-	-	-	BRASS	△	BODY	4	
	-	-	1	1	-	-	-	-	-	STAINLESS STEEL	△	BODY	4	
	-	-	-	-	-	1	1	1	1	STAINLESS STEEL	△	BODY	4	
	1	1	1	1	1	1	1	1	1	STAINLESS STEEL	△	CIRCLIP	3	
	1	1	1	1	1	1	1	1	1	SILICON	△	GASKET	2	
	1	1	-	-	-	-	-	-	-	BRASS	△	SHELL	1	
	-	-	1	1	-	-	-	-	-	STAINLESS STEEL	△	SHELL	1	
	-	-	-	-	-	1	1	1	1	STAINLESS STEEL	△	SHELL	1	
	3-1	3-0	2-1	2-0	1-1	1-0	1-0	1-0	1-0			MATERIAL	DESCRIPTION	ITEM
	△	△	△	△	△	△	△	△	△					

THIS DRAWING IS A CONTROLLED DOCUMENT.				DWN R. SMITH 28JAN04		Tyco Electronics Corporation	
DIMENSIONS: mm				CHK S. PARLOW 28JAN04		Bideford, UK, EX39 4HE	
TOLERANCES UNLESS OTHERWISE SPECIFIED:				APPD F. WHEELER-KING 28JAN04		NAME	
0 PLC ± .05				PRODUCT SPEC		SMA STRAIGHT PLUG DIRECT SOLDER	
1 PLC ± .05				APPLICATION SPEC		NON CAPTIVE CENTRE CONTACT	
2 PLC ± .05				411-3276		RG402/U	
3 PLC ± .05				WEIGHT		RESTRICTED TO	
4 PLC ± .05				CUSTOMER DRAWING		A3 00779 C=1478903	
MATERIAL SEE TABLE				FINISH -		SCALE 1:1 SHEET 1 OF 1 REV A	