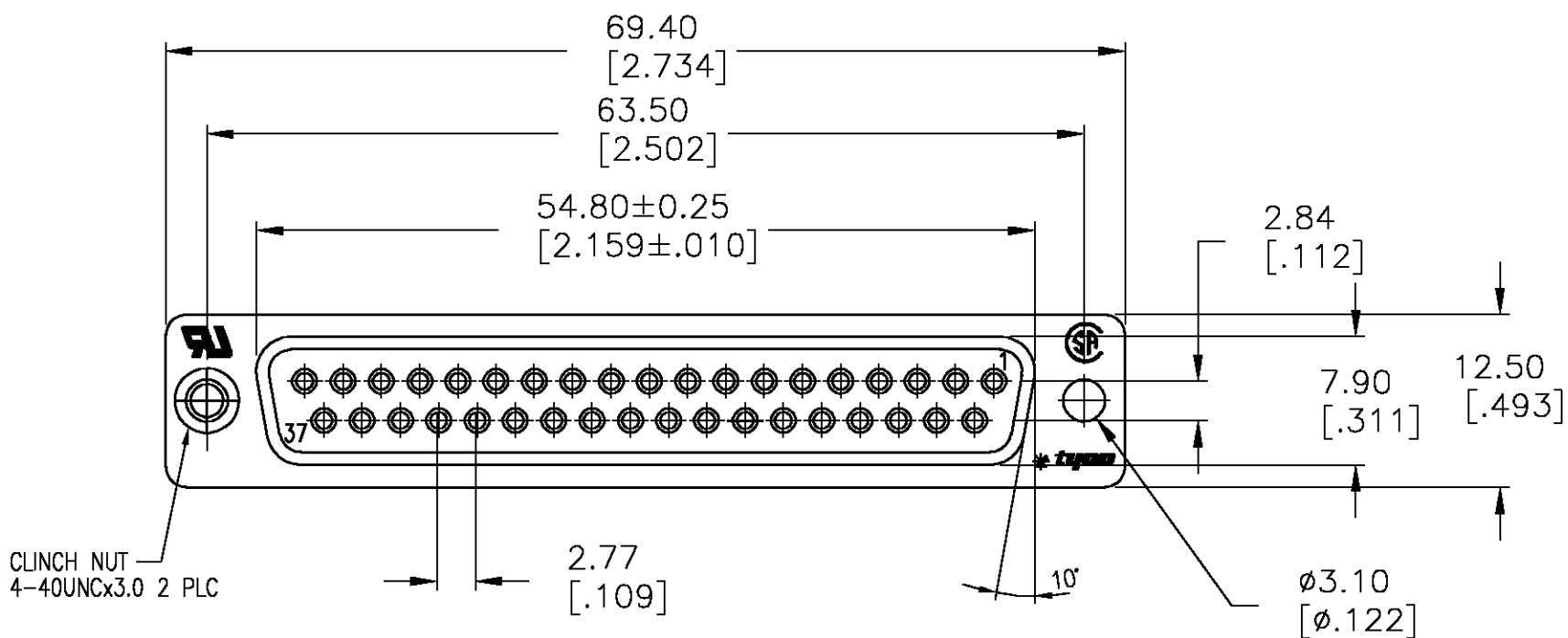


THIS DRAWING IS UNPUBLISHED. RELEASED FOR PUBLICATION
 © COPYRIGHT BY TYCO ELECTRONICS CORPORATION. ALL RIGHTS RESERVED.

LOC	DIST	REVISIONS					
AD	0	P	LTR	DESCRIPTION	DATE	DWN	APVD
			L	REV PER EC 0G3C-337-04	13JUL04	MB	JO

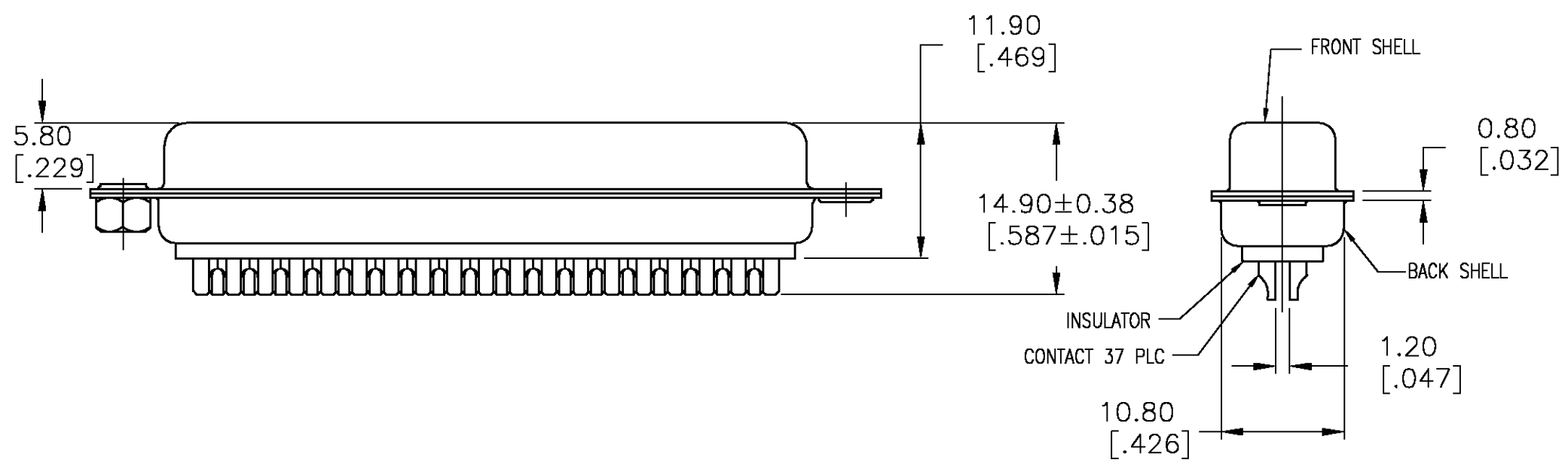


MATERIAL:
 FRONT INSULATOR: PBT, 30 %GF, UL94V-0, BLACK COLOR
 BACK INSULATOR: PBT, 30 %GF, UL94V-0, BLACK COLOR
 CONTACT: BRASS
 FRONT SHELL: STEEL
 BACK SHELL: STEEL
 CLINCH NUTS: BRASS

FINISH:
 CONTACT: GOLD PLATING 0.00002[.0000008] MIN ON CONTACT AREA 0.00229 [.000090] MIN TIN-LEAD PLATING ALL OVER 0.00127[.000050] MIN NICKEL
 CONTACT: GOLD PLATING 0.00076[.000030] MIN ON CONTACT AREA 0.00229 [.000090] MIN TIN-LEAD PLATING ALL OVER 0.00127[.000050] MIN NICKEL
 SHELL: TIN 0.0241[.000095] MIN FULL SHELL
 SHELL: ZINC 0.00076[.000300] MIN FULL SHELL
 CONTACT: GOLD PLATING 0.00002[.0000008] MIN ON CONTACT AREA 0.00229 [.000090] MIN TIN PLATING ALL OVER 0.00127[.000050] MIN NICKEL
 CLINCH NUTS: NICKEL PLATING .00305-.00508[.000120-.000200]

8. SPECIFICATION
 ELECTRICAL CHARACTERISTICS: CURRENT RATING: 3 AMPERES
 DIELECTRIC WITHSTANDING VOLTAGE: AC 1000V r.m.s
 INSULATION RESISTANCE: 5000 MEGOHMS MINIMUM AT DC 500V
 CONTACT RESISTANCE: 10 MILLIOHMS MAXIMUM.

PRELIMINARY PART
 10. PLUG ASSEMBLY MATES WITH ANY 25 POSITION RECEPTACLE IN AMPLIMITE SERIES
 11. SOLDER CUP WILL ACCOMMODATE 20 MAX AWG WIRE.
 LEAD FREE PART



STANDARD	NO	6	4	747917-7
STANDARD	YES	2	4	747917-6
STANDARD	NO	3	4	747917-5
STANDARD	NO	2	5	747917-4
STANDARD	NO	2	4	747917-2
PACKAGING TYPE	CLINCH NUTS	CONTACTS	SHELLS	PART NO

THIS DRAWING IS A CONTROLLED DOCUMENT.

DWN	M.BINNER	04MAR03	Tyco Electronics Corporation Harrisburg, Pa 17105-3608		
CHK	R.BENDORF	05MAR03			
APVD	R.BENDORF	05MAR03			
PRODUCT SPEC	NAME				
APPLICATION SPEC	RECEPTACLE ASSEMBLY, SOLDER CUP, SIZE 4, 37 POSN, HD-20, AMPLIMITE				
WEIGHT	-	SIZE	CAGE CODE	DRAWING NO	RESTRICTED TO
SEE NOTES	SEE TABLE	A3	00779	C-747917	-
CUSTOMER DRAWING				SCALE	SHEET
				1:1	1 OF 1