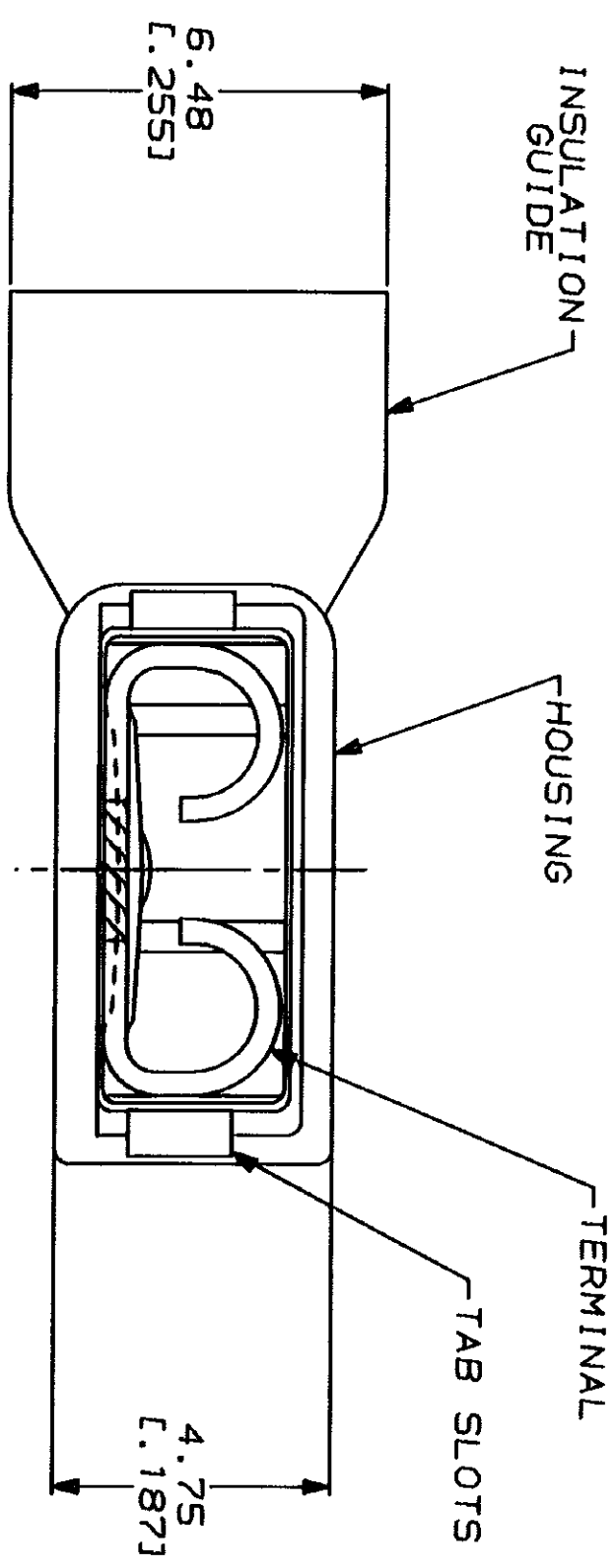
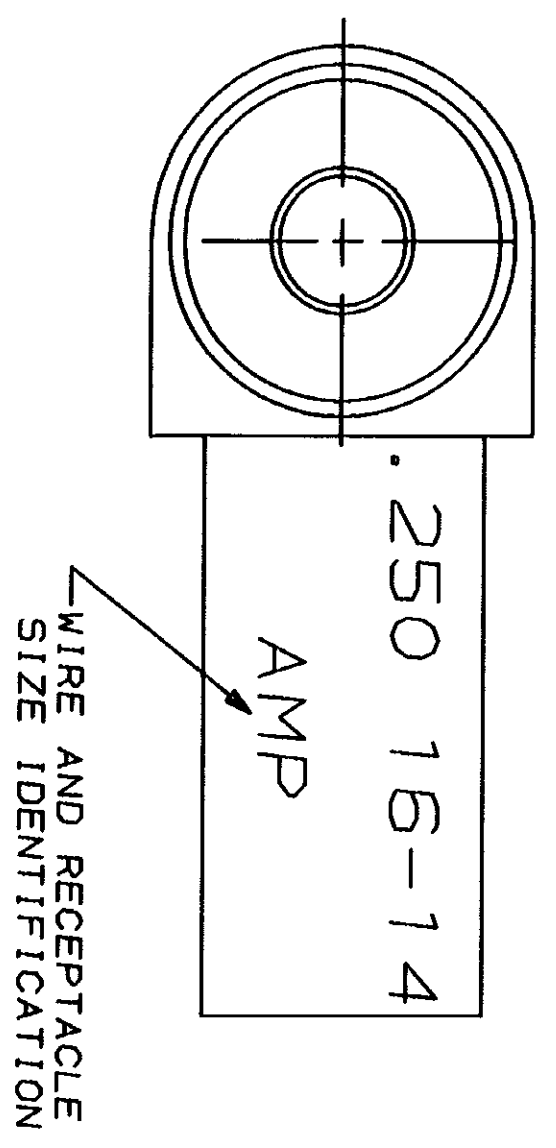
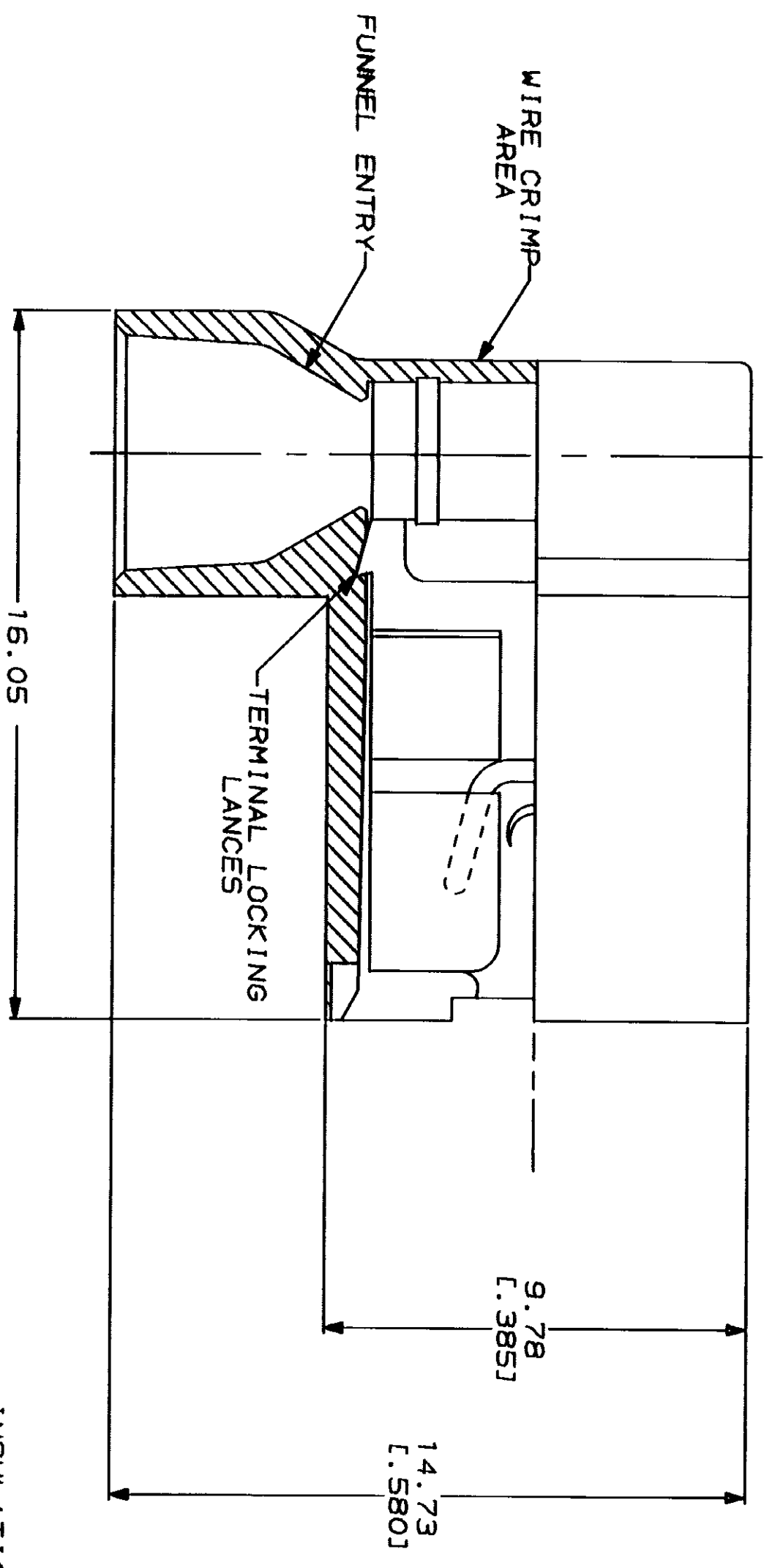


LOC	DIST	REV	DATE	APPD
AF	50	P	4/5/94	JR/SG

REV	PER	DESCRIPTION
0116-94		

- 1 FITS 0.81±0.025 X 6.35 [0.032±.001 X .250] TAB REFER TO CP-14251 FOR DETAILS.
- 2 WIRE SIZE: 1.3-2.0mm² [16-14 AWG], STRANDED ONLY. STRIP LENGTH 7.14 [0.281]
- 3 INSULATION SIZE: 4.70 [0.185] MAX DIA.
- 4 SUPPLIED AS LOOSE PIECE



DO NOT SCALE PRINT. UNLESS SPECIFIED DIMENSIONS IN mm [INCHES] TOLERANCES ON: 2 PLC DEC ± 0.38 [0.015] ANGLES	TYPE 6/6 NYLON	BLUE TRANSLUCENT	0.41 [0.016] #4H BRASS	TIN	3-520133-2
MATERIAL	HOUSING	COLOR	MATERIAL	FINISH	PART NO
DR 11/13/89 P FORTNEY	DR 11/13/89 P FORTNEY				
CHK 11/13/89 JR KUH	CHK 11/13/89 JR KUH				
APPD 11/13/89 DJ BRATTINA	APPD 11/13/89 DJ BRATTINA				
APPD 11/13/89 R KUZO	APPD 11/13/89 R KUZO				
PRODUCT SPEC 108-2043	PRODUCT SPEC 108-2043				
APPLICATION SPEC 114-2123	APPLICATION SPEC 114-2123				
FINISH SEE TABLE	FINISH SEE TABLE				
WEIGHT	SCALE 10:1	SIZE C 00779	CAGE CODE 00779	DRAWING NO 520133	SHEET 1 OF 1

RECEPTACLE ASSEMBLY, ULTRA-FAST FLAG,
 6.35 [0.250] SERIES, LOOSE PIECE

