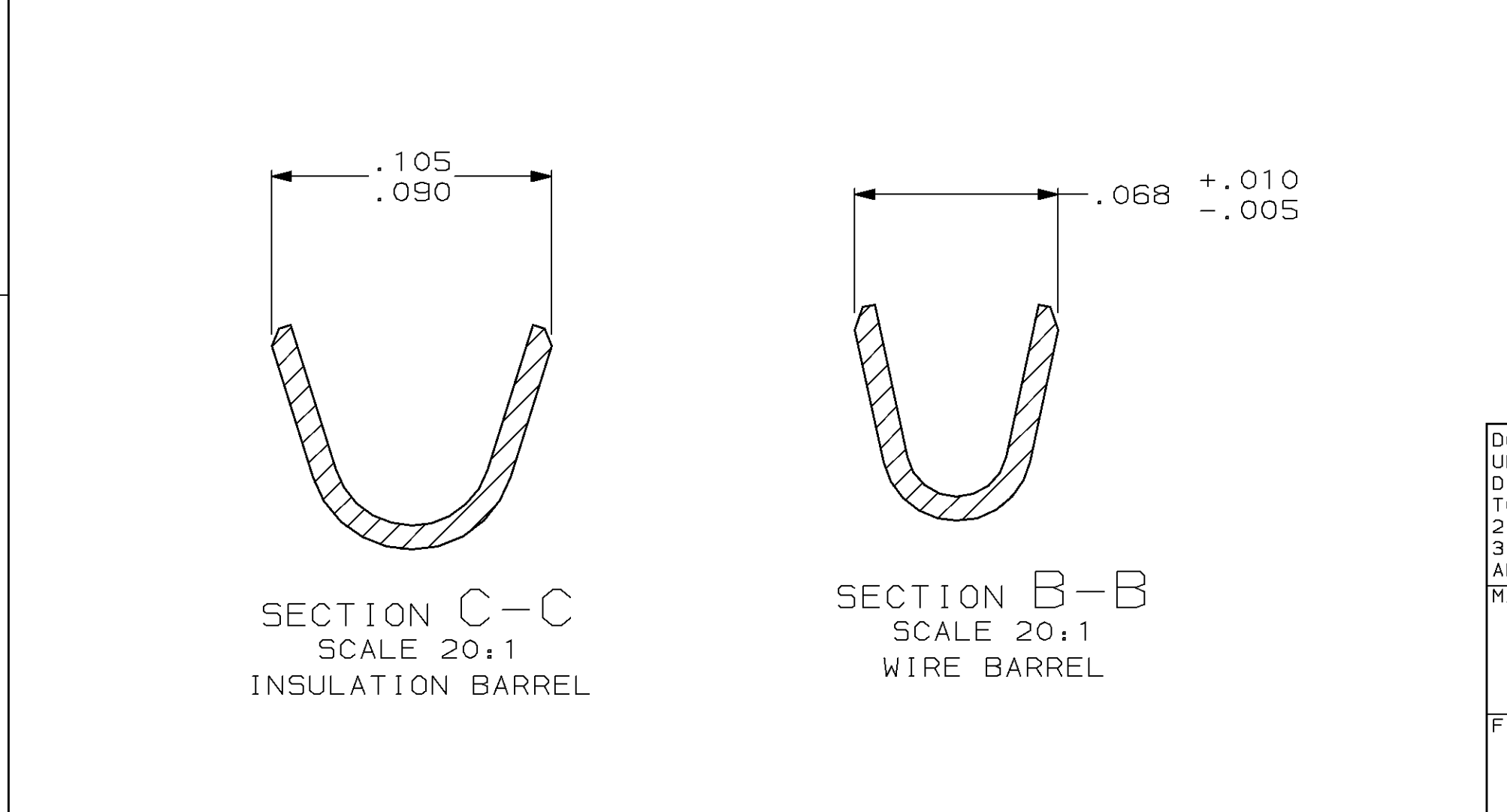
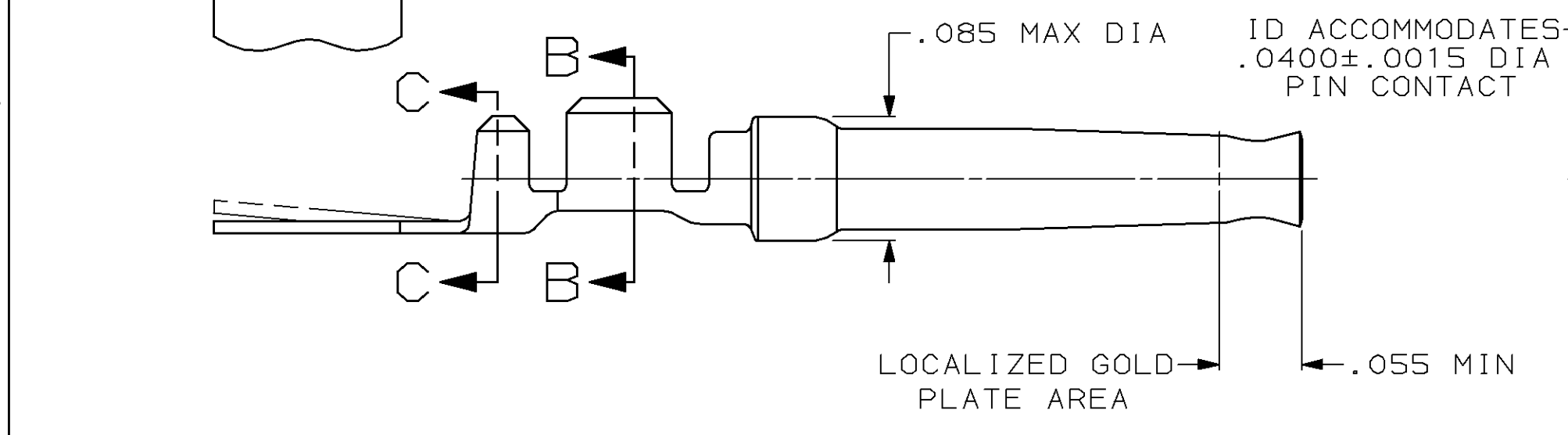
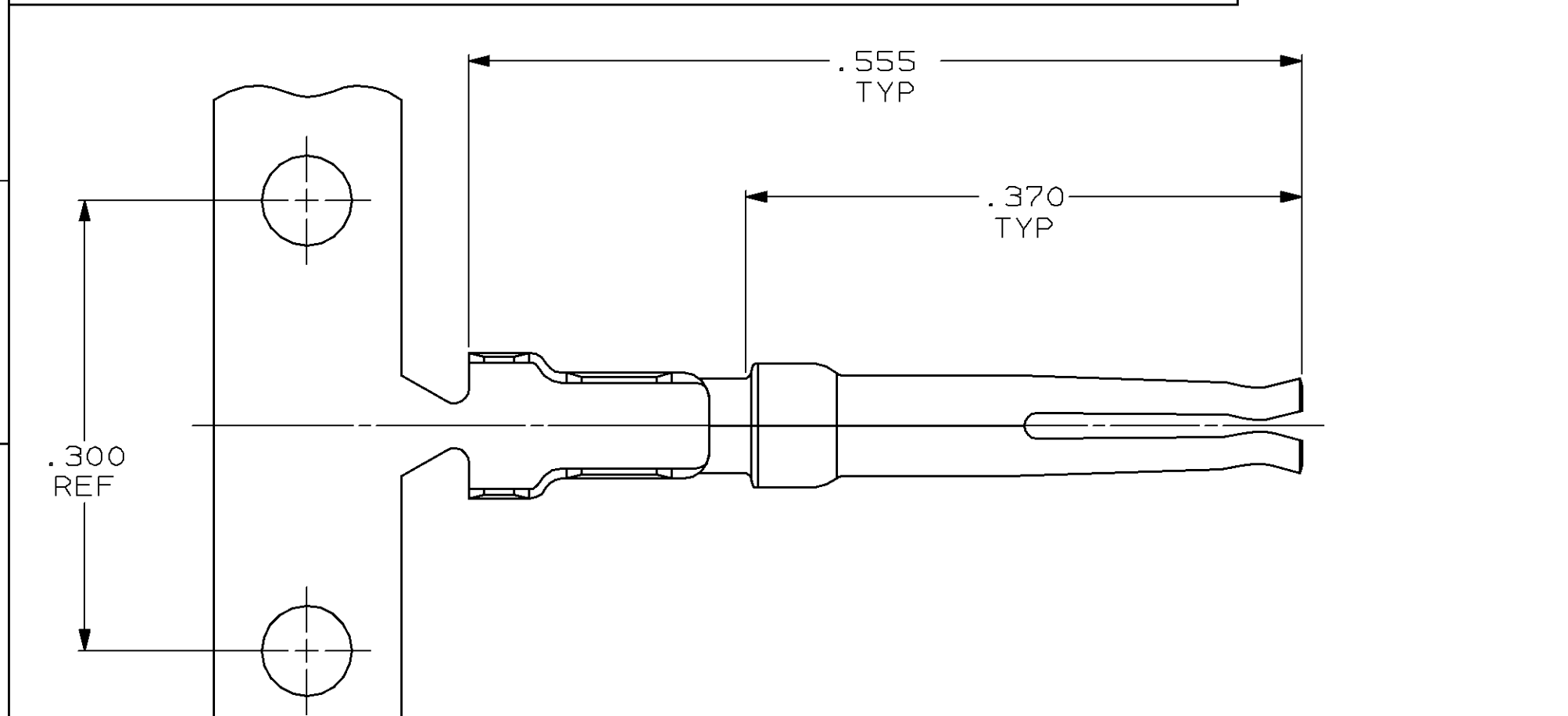
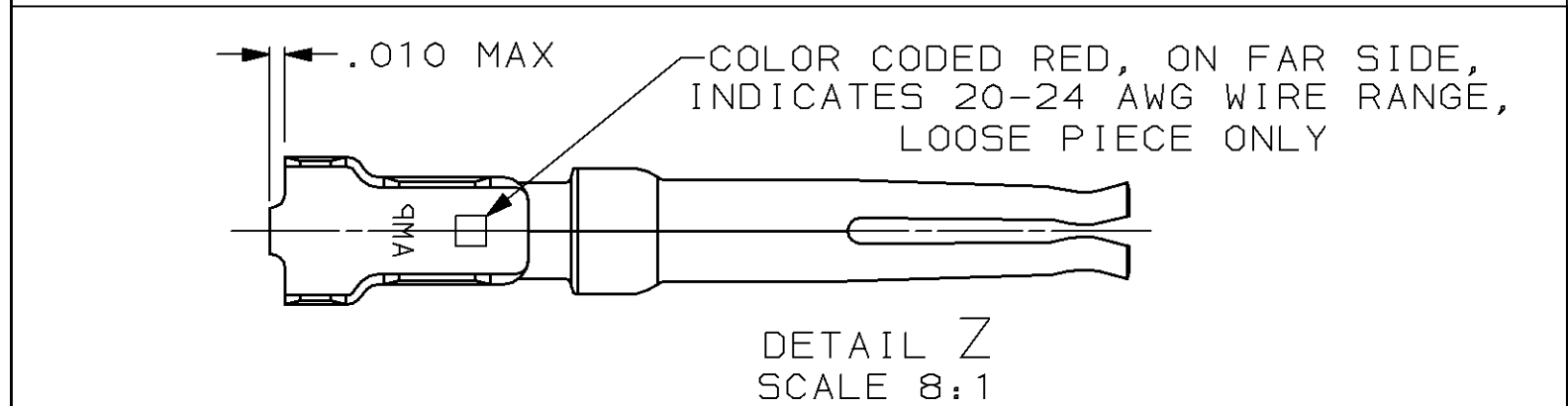


THIS DRAWING IS UNPUBLISHED. RELEASED FOR PUBLICATION
 © COPYRIGHT 19 BY AMP INCORPORATED. ALL INTERNATIONAL RIGHTS RESERVED.

LOC		DIST		REVISIONS				DATE	APPD
P	F	ZONE	LTR	DESCRIPTION					
BD	48		W	ADDED 7--1 PER EC 0020-730-96		20 AUG 96	LF		
			Y	ADDED 7--2 PER EC 0420-12-97		04 FEB 97	SB		



- 1 FOR MINI-APPLICATOR AND STRIPPER CRIMPER.
- 2 FOR HAND TOOL USE ONLY.
- 3 FOR STANDARD APPLICATOR PART #566171 ONLY.
- 4. WIRE RANGE OF 20-24, INSULATION RANGE OF .050-.060.
- 5. GOLD PLATING MAY NOT APPEAR ON CARRIER STRIP.
- 6 GOLD PLATING PER MIL-G-45204, NICKEL PLATING PER QQ-N-290, TIN PLATING PER MIL-T-10727, COPPER PLATING PER MIL-C-14550.
- 7 PLATED WITH .000050 GOLD OVER .000050 NICKEL.
- 8 PLATED WITH .000030 GOLD IN LOCALIZED GOLD PLATE AREA, GOLD FLASH ON REMAINDER, OVER .000050 NICKEL.
- 9 PLATED WITH GOLD FLASH OVER .000030 NICKEL.
- 10 PLATED WITH .000100-.000200 TIN.
- 11 PLATED WITH .000015 GOLD IN LOCALIZED GOLD PLATE AREA, GOLD FLASH ON REMAINDER, OVER .000050 NICKEL.
- 12 PLATED WITH GOLD FLASH IN LOCALIZED GOLD PLATE AREA, .000100 MIN TIN PLATED WIRE BARRELS, OVER .000030 NICKEL.
- 13 PLATED WITH .000030 GOLD IN LOCALIZED GOLD PLATE AREA, TIN PLATED WIRE BARRELS, OVER .000050 NICKEL.
- 14 AMP ITALY PART NUMBER ONLY.
- 15 PLATED WITH .000050 GOLD IN LOCALIZED GOLD PLATE AREA, GOLD FLASH ON REMAINDER, OVER .000050 NICKEL.
- 16 PLATED WITH GOLD FLASH IN LOCALIZED GOLD PLATE AREA, .000030 MIN TIN PLATED WIRE BARRELS, OVER .000030 MIN NICKEL.

OBSOLETE

STANDARD	FINISH	USE	LOOSE PIECE	PART NUMBER
STANDARD	16	1	-	7-66504-2
STANDARD	13	3	-	7-66504-1
SMALL PACK	8	2	SEE DETAIL Z	7-66504-0
STANDARD	15	1	-	6-66604-8
STANDARD	13	2	SEE DETAIL Z	6-66504-0
STANDARD	13	1	-	5-66504-9
STANDARD	12	2	SEE DETAIL Z	5-66504-7
STANDARD	12	1	-	5-66504-6
STANDARD	11	1	-	5-66504-5
STANDARD	10	1	-	1-66504-4
STANDARD	9	3	-	1-66504-3
STANDARD	8	3	-	1-66504-2
STANDARD	7	3	-	1-66504-1
STANDARD	9	2	SEE DETAIL Z	1-66504-0
STANDARD	8	2	SEE DETAIL Z	66504-9
STANDARD	7	2	SEE DETAIL Z	66504-8
STANDARD	9	1	-	66504-4
STANDARD	8	1	-	66504-3
STANDARD	7	1	-	66504-2

DO NOT SCALE PRINT. UNLESS SPECIFIED DIMENSIONS IN INCHES TOLERANCES ON: 2 PLC DEC ± .005 3 PLC DEC ± - ANGLES ± -	DR 03/19/90 C RICHARD	AMP INCORPORATED Harrisburg, Pa. 17105	
	CHK 3-22-90 W.G.LENKER		
MATERIAL PHOSPHOR BRONZE PER QQ-B-750	APPD 3-28-90 J.E.WESTMAN	NAME SOCKET CONTACT, SIZE 20 DF, 20-24 AWG, .050-.060 DIA INSULATION SUPPORT, AMPLIMITE™	
	APPD 3-28-90 J.ASSINI	PRODUCT SPEC -	
FINISH 6 SEE TABLE	APPLICATION SPEC -	SIZE C	CAGE CODE 00779
	WEIGHT -	SCALE 10:1	DRAWING NO 66504
		SHEET	1 OF 1