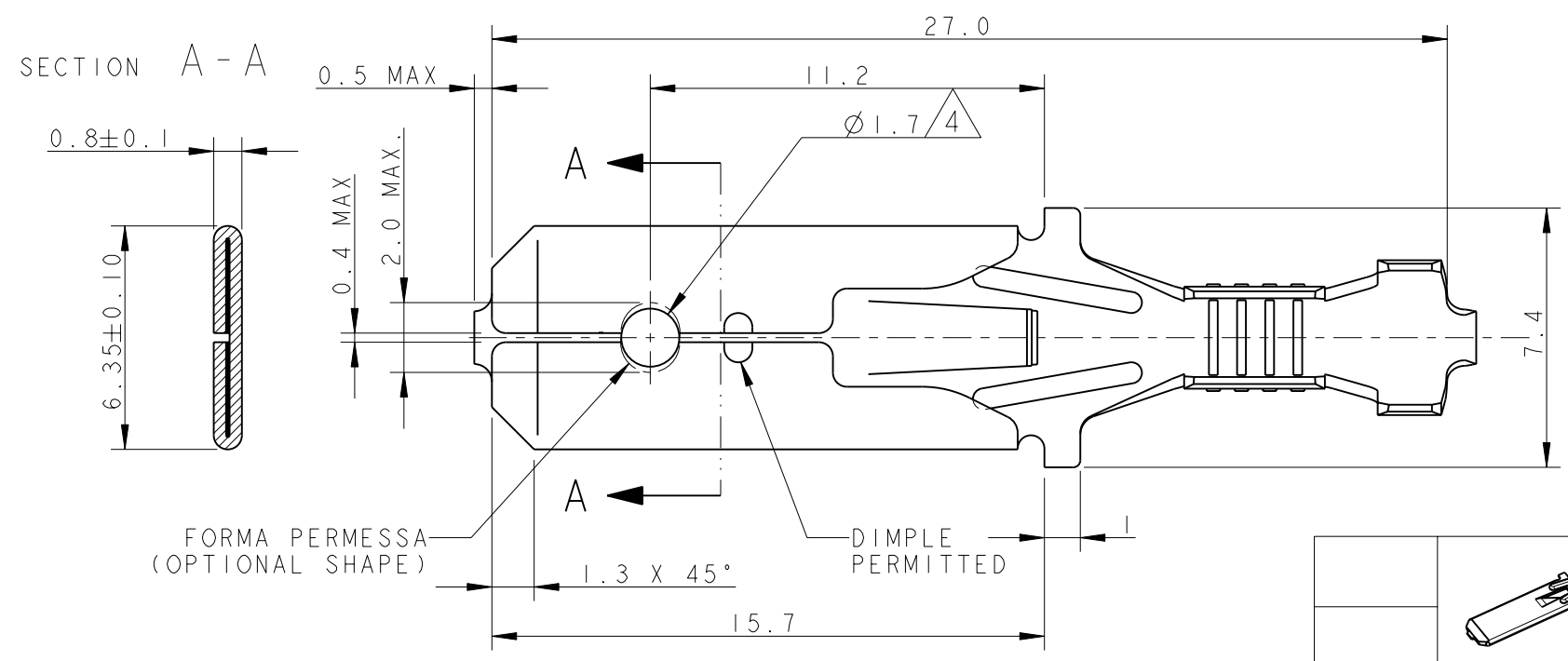
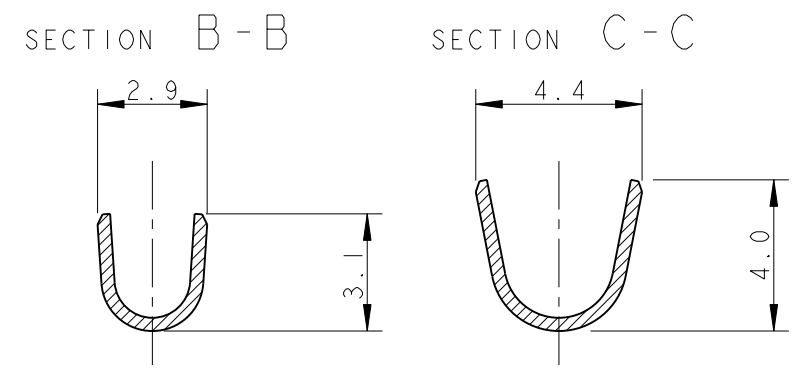
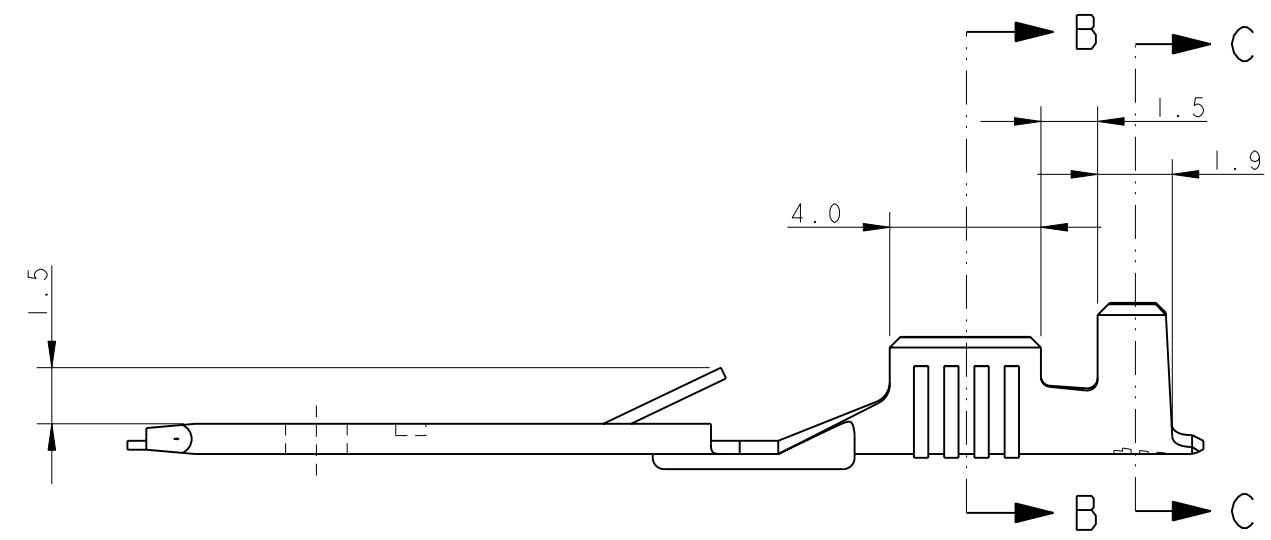
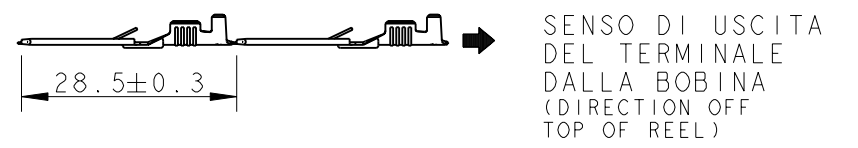


THIS DRAWING IS UNPUBLISHED. RELEASED FOR PUBLICATION 2004
 © COPYRIGHT 2004 ALL RIGHTS RESERVED.

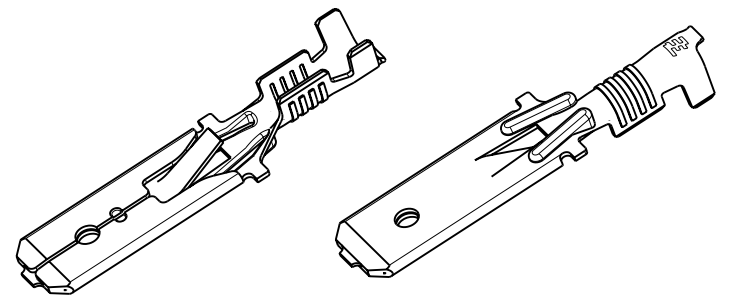
LOC	DIST	REVISIONS			
P	LTR	DESCRIPTION	DATE	DWN	APVD
1	-	B3	REVISED PER ECO-11-005301	28MAR2011	RK HMR



- 1) STATO DI FORNITURA (SCALE 1:1)
(SUPPLY CONDITION, Scala 1:1)
- 2) BOBINATO SU BOBINA 12" CON
CARTA INTERPOSTA
(REELED ON 12" CARTON TYPE REEL WITH
INTERLEAVE PAPER STRIP)
- 3) SPLICING STRIP PRODUCT BY SPOT WELDING PERMITTED
- 4) VERSIONI CON FORO (VERSION WITH HOLE)



	PRE-STAGNATO (PRE-TINNED)	OTTONE (BRASS)	1-293041-2	B
	NUDO (PLAIN)	OTTONE (BRASS)	1-293041-1	B
	PRE-STAGNATO (PRE-TINNED)	OTTONE (BRASS)	0-293041-2	B
	NUDO (PLAIN)	OTTONE (BRASS)	0-293041-1	B
NOTE (NOTES)	VERSIONI (VERSIONS)	FINITURA (FINISH)	MATERIALE (MATERIAL)	NUMERO (TE P/N) REV.



SCALE 2:1

DIAM. ISOLANTE (INS. DIA. RANGE)
 Ø2.3 mm MAX
 RANGO FILO (WIRE RANGE)
 0.35-1.00 mm²

THIS DRAWING IS A CONTROLLED DOCUMENT.

DWN 04 JUL 2005
 H. Yaali
 CHK -
 G. Turco
 APVD -

DIMENSIONS: mm

TOLERANCES UNLESS OTHERWISE SPECIFIED:
 0 PLC ±-
 1 PLC ±0.3
 2 PLC ±-
 3 PLC ±-
 4 PLC ±-
 ANGLES ±2°

MATERIAL SEE TABLE FINISH SEE TABLE

PRODUCT SPEC 108-20020
 APPLICATION SPEC 114-20119

WEIGHT -

CUSTOMER DRAWING

STE TE Connectivity

NAME FASTIN-FASTON* Connector, 6.3 mm SR. TAB CONTACT

SIZE A3 CAGE CODE 00779 DRAWING NO C-293041 RESTRICTED TO -

SCALE 5:1 SHEET 1 OF 1 REV B3