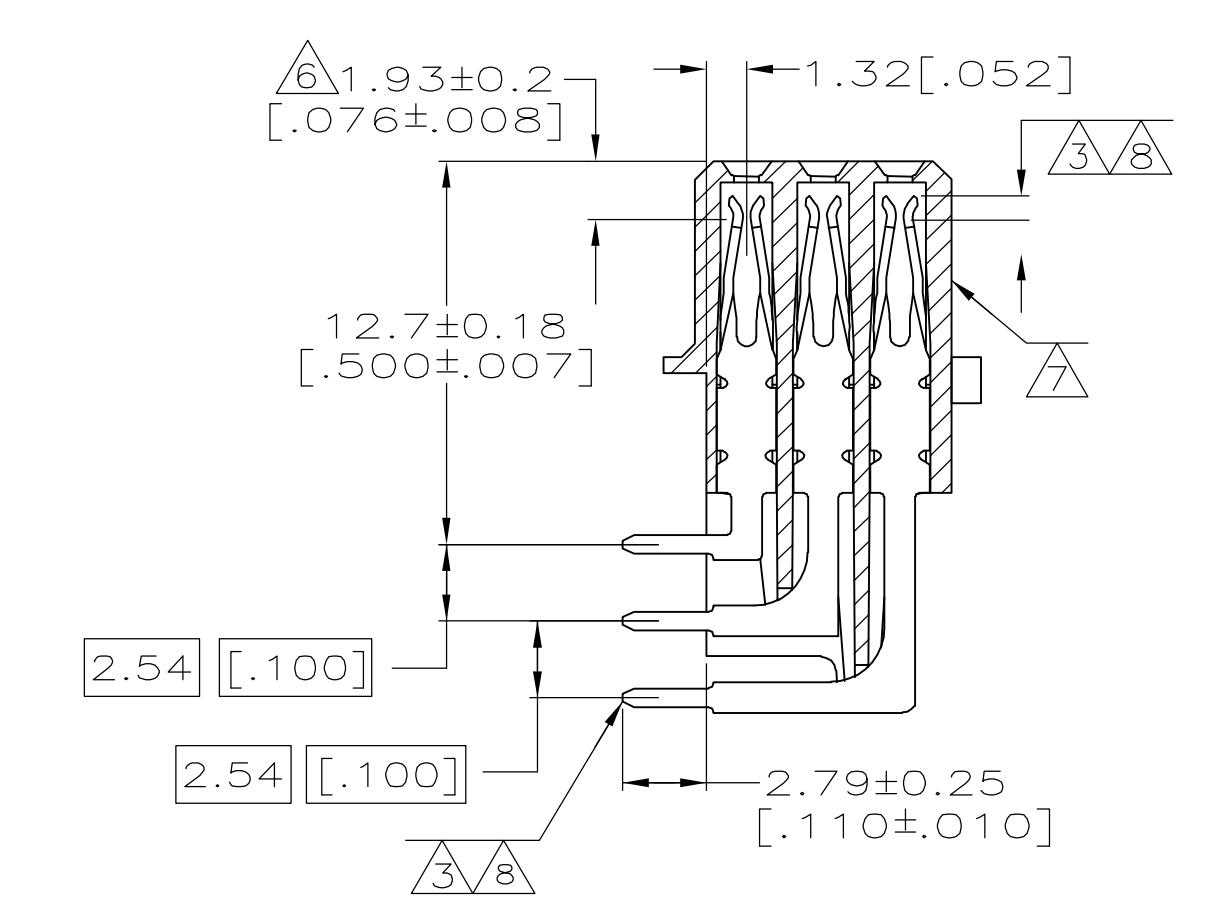
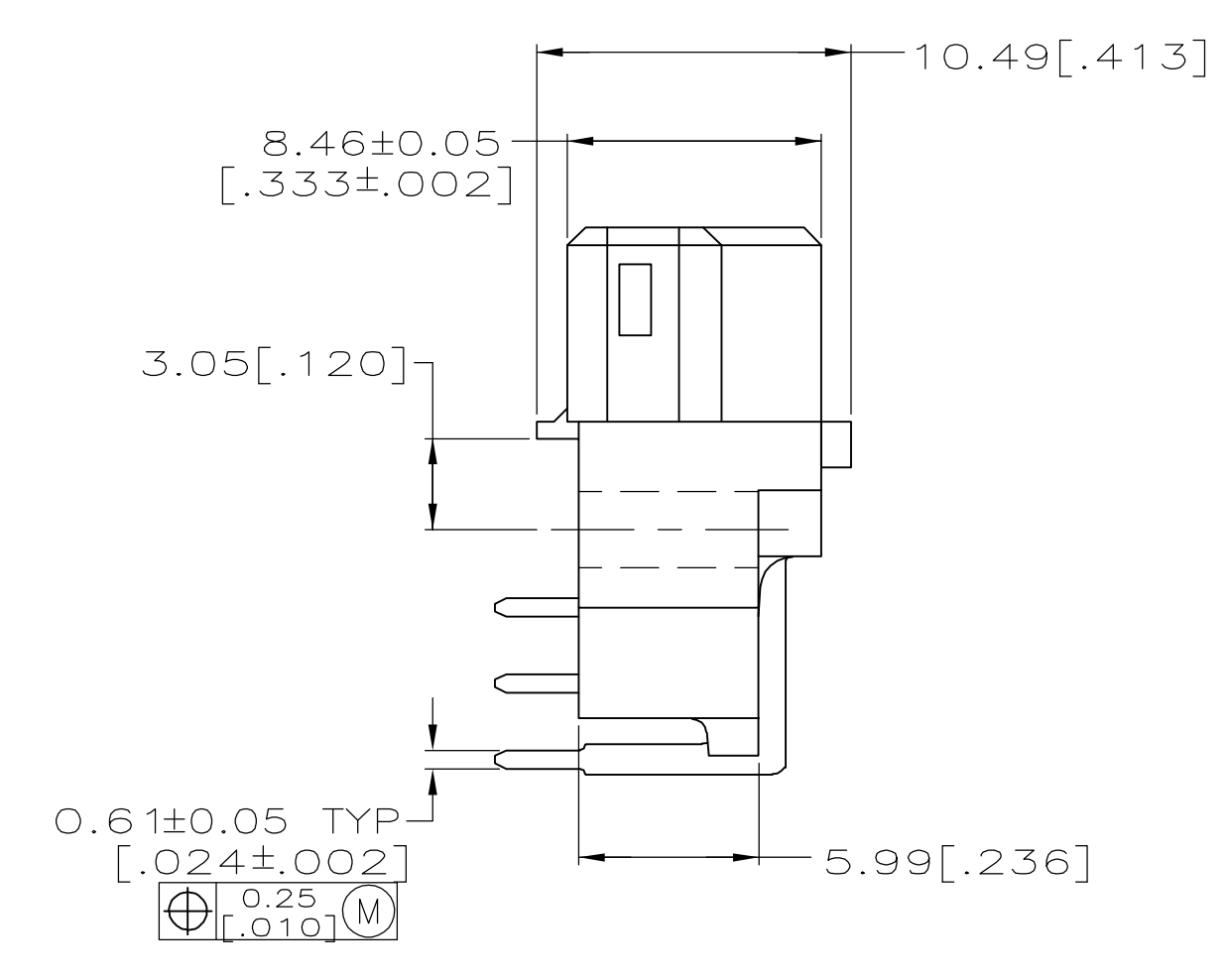
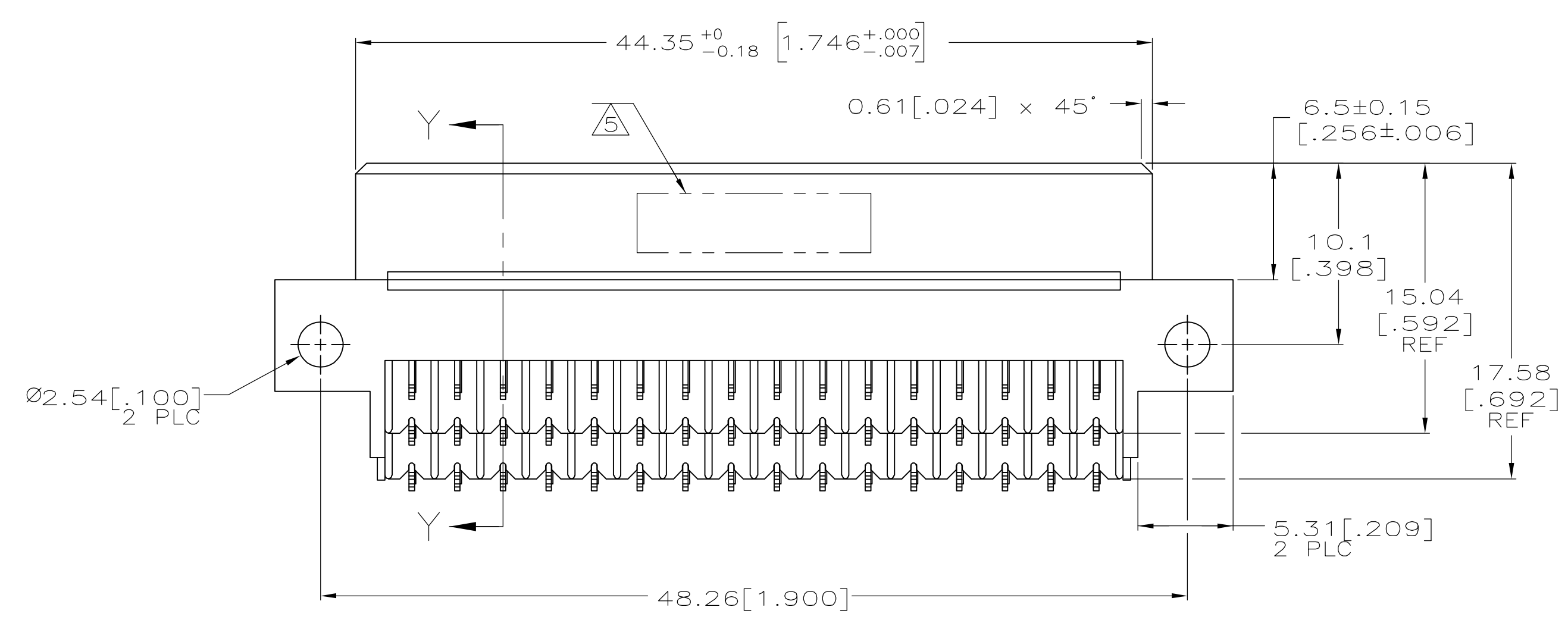
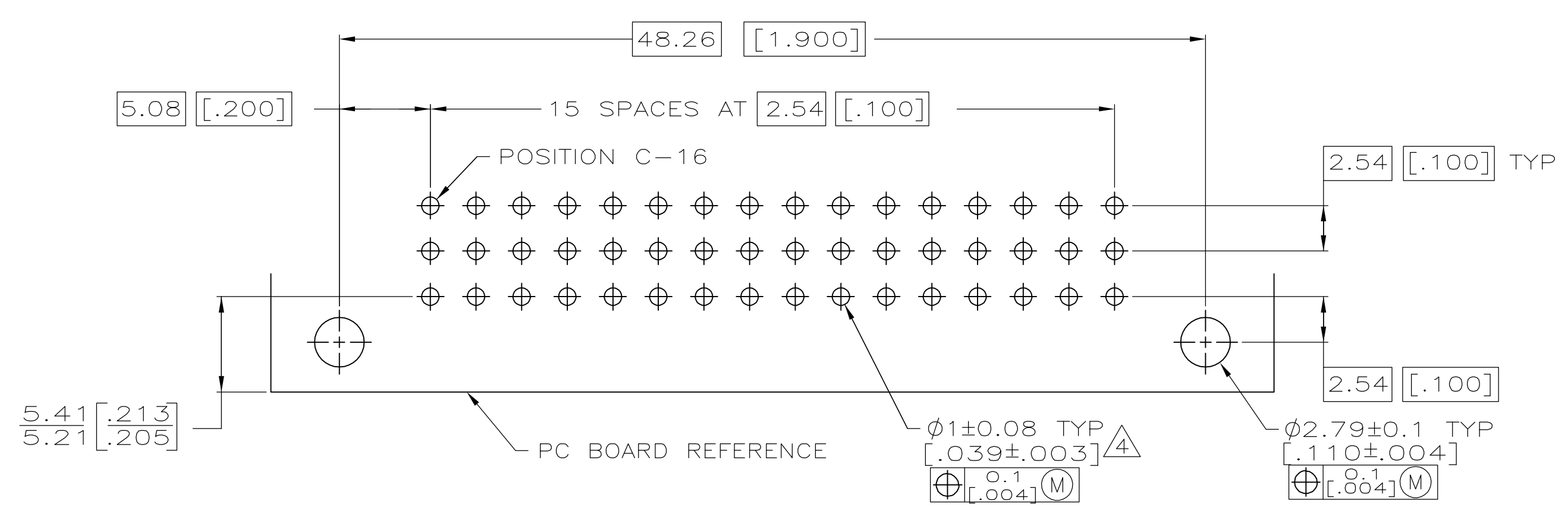
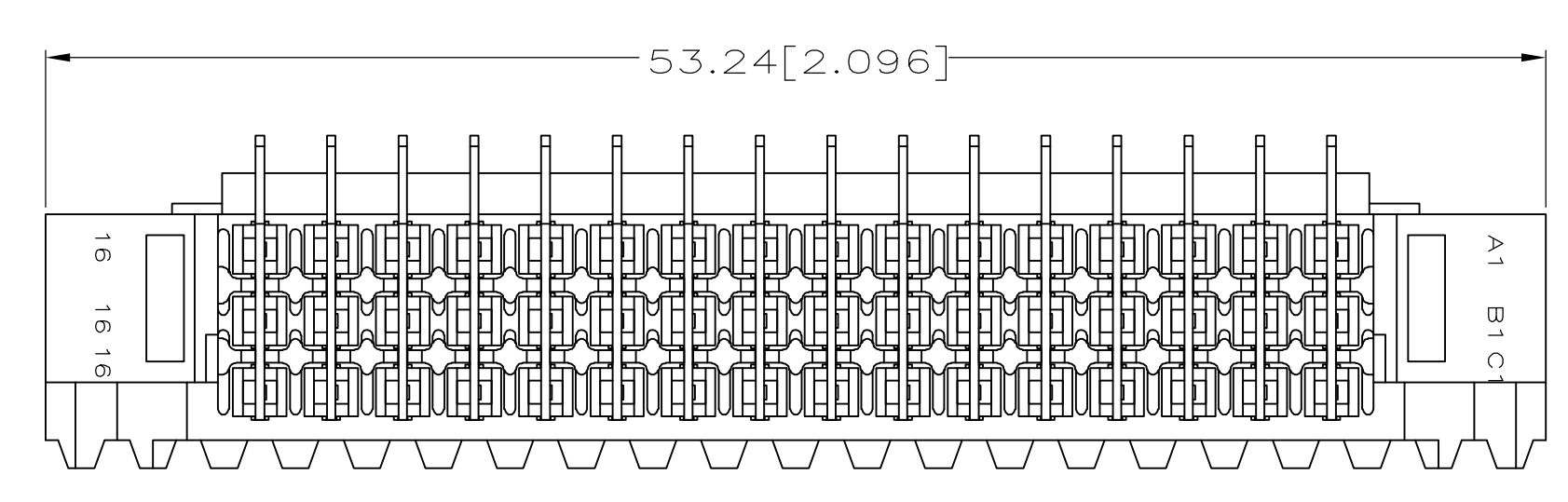


- 1 HOUSING MATERIAL: GLASS-FILLED POLYMER.
- 2 CONTACT MATERIAL: COPPER ALLOY.
- 3 CONTACT FINISH: DIN 41612 CLASS 2 IN CONTACT AREA. TIN PLATE ON POSTS.
- 4 RECOMMENDED HOLE SIZE FOR MANUAL APPLICATION OF CONNECTOR ONTO PC BOARD.
- 5 PART NUMBER, DATE CODE IDENTIFICATION, CSA LOGO, THIS APPROXIMATE AREA.
- 6 CONTACT POINT.
- 7 MARKING ON THIS SIDE.
- 8 CONTACT FINISH: DIN 41612 CLASS 3 IN CONTACT AREA. TIN PLATE ON POSTS.



SECTION Y-Y



PC BOARD LAYOUT

NOTES	POSITIONS LOADED	ROWS LOADED	NO. OF LOADED POSITION	ASSY PART NUMBER
1 THRU 16	X X X	C B A	48	5650868-9
1 THRU 16	X X X	C B A	48	5650868-5
1 THRU 16	X X X	C B A	48	5650868-4

THIS DRAWING IS A CONTROLLED DOCUMENT.		DWN J. POLIGNONE	03JUN05	Tyco Electronics Corporation Harrisburg, Pa 17105-3608	
DIMENSIONS: mm (INCHES)		CHK A. SHARPE	03JUN05	NAME: ASSEMBLY, RECEPTACLE, EUROCARD, TYPE 1/2R, LEAD-FREE, 48 POSITION 2.79[.110] SOLDER POSTS	
TOLERANCES UNLESS OTHERWISE SPECIFIED:		APP'D A. SHARPE	03JUN05	SIZE: A1	
0 PLC ± -	1 PLC ± -	PRODUCT SPEC		CAGE CODE: 00779	
2 PLC ± -	3 PLC ± 0.13[.005]	APPLICATION SPEC		DRAWING NO: 5650868	
4 PLC ± -	ANGLES ± -	FINISH		RESTRICTED TO: -	
MATERIAL		WEIGHT		CUSTOMER DRAWING	
SCALE: 4:1		SHEET: 1 OF 1		REV: 0	