



Copyright FCI



FCIconnect.com



PRODUCT NUMBER
20020517-XXXXXXLF

20020517-0

1 | 2

3 |

4

M : 7.62 mm

PROPERTY TABLE	
FCI SERIES NAME	04-762
PITCH (mm)	7.62
VOLTAGE RATING (VAC)	300
CURRENT RATING (A)	32
APPLICABLE WIRE RANGE (AWG)	
1-WIRE	8-24
2-WIRE	14
WIRE CROSS SECTION	
SOLID	1-WIRE 10
	2-WIRE 2.5
STRANDED	1-WIRE 6
	2-WIRE 4
OPENING CONTACT HOUSING(mm ²)	3.6x4.1
WIRE STRIP LENGTH(mm)	6~7
TORQUE +/-10% (N-m/lb-in)	0.8/7.0
WITHSTANDING VOLTAGE (kV)	M3.5x0.5
OPERATING TEMP. (C)	1.6
POLES AVAILABLE	-40~+115
SAFETY CERTIFICATE	

PITCH

POLES

- 02: 2 POLES
- 03: 3 POLES
- 04: 4 POLES
- 16: 16 POLES

HOUSING CODE

CODE	COLOR	AVAILABILITY
1	GREEN(RAL 6018/T)	STANDARD
2	BLACK	ON REQUEST ONLY
3	GREY(RAL 7004/P)	ON REQUEST ONLY
4	BLUE(RAL 5015/A)	ON REQUEST ONLY

SCREW CODE

CODE	SCREW TYPE	AVAILABILITY
A	-/+	ON REQUEST ONLY
B	-	STANDARD

ALL FLANGE SCREWS ARE ONLY AVAILABLE IN +/- COMBINATION SCREW TYPES.

SCREW OF FLANGE
1 : COMBINATION TYPE

1 : STANDARD PRODUCT
W/ BOX PACKING

LF : DENOTED ROHS COMPATIBLE

NOTES:

1. MATERIALS
- 1-1 HOUSING: THERMALPLASTIC RESIN, UL 94V-0 RATED.
- 1-2 SCREW: STEEL, ZINC PLATED.
- 1-3 CLAMP: COPPER ALLOY, NICKEL PLATED.
- 1-4 TERMINAL: COPPER ALLOY, TIN PLATED.
- 1-5 WIRE GUARD: STAINLESS STEEL.
2. PRODUCTION SPECIFICATION REFER TO FCI GS-12-625.
3. BOXED PACKAGING:
DETAILED PRODUCT PACKING SPECIFICATION REFER TO FCI GS-14-1394.
4. FCI SAFETY CERTIFICATE LOGO AND SERIES NAME TO BE SHOWN ON PRODUCT SURFACE.
5. THE PRODUCTS WHERE THE PART NUMBER END IN "LF" MEET THE EUROPEAN UNION DIRECTIVE AND OTHER COUNTRY REGULATIONS AS DESCRIBED IN GS-22-008.

form: A4mmXlc

1 |

2 |

3 |

4

mat'l. code		surface		tolerance		projection		product family	
tr	ecm no	dr	dcite	ASME Y14.5	ASME Y14.5	ASME Y14.5	ASME Y14.5	title	TERMINAL BLOCK
A	T10-0029	JH	011810	011810	X:±0.5[.020]	MM	MM	TERMINAL BLOCK	
B	T10-0082	WL	050710	050710	X:±0.3[.012]	INCH	INCH	PLUGGABLE, POWER, PLUG, W/FLANGE	
C	T10-0123	WL	080310	X:F,1*	X:XX±0.1[.004]	scdie	scdie		
D	T10-0156	WL	093010	dr	JASON HSU	011810	011810		
E	T10-0187	WL	121410	engr	JASON HSU	011810	011810		
F	T-0004860	WL	080411	chr	GARY HSEH	011810	011810		
G	T-010173	LS	020312	pppd	JOSEPH HSA	011810	011810		
sheet	revision	G	F						
Index	sheet	1	2						



20020517

sheet 1 of 2 size A4

CUSTOMER Drawing

B

A



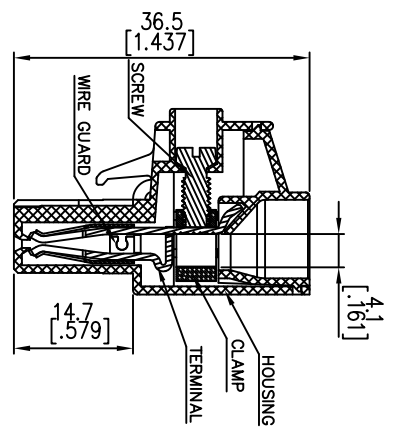
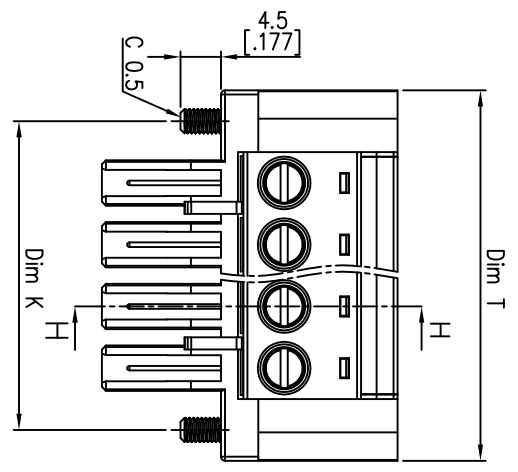
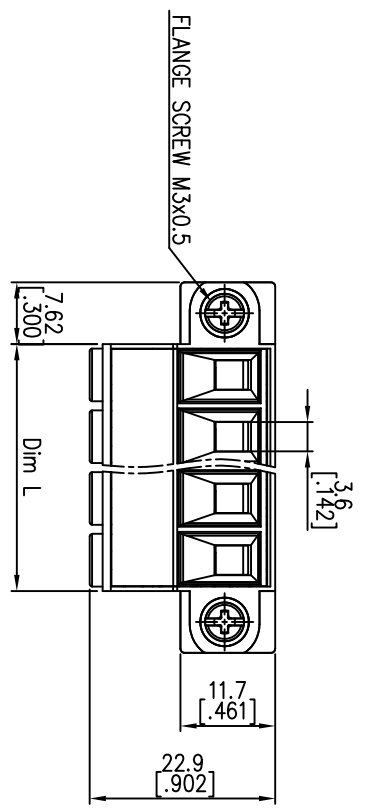
Copyright FCI



FCIconnect.com

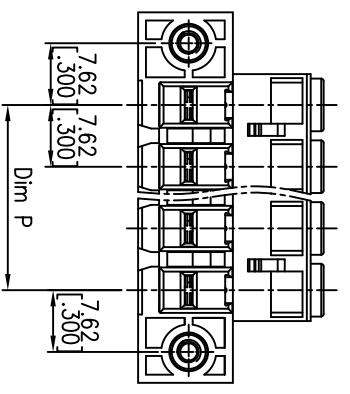


PRODUCT NUMBER 20020517-MXXXXXXLF	SERIES NAME 04-762	PITCH 7.62 mm
--------------------------------------	-----------------------	------------------



N=Number of poles
 Dim L=(N*7.62)[.300]
 Dim P=(N-1)*7.62[.300]
 Dim K=(N+1)*7.62[.300]
 Dim T=(N+2)*7.62[.300]

Poles	Tolerance
2p	±0.10[.004]
3p-4p	±0.15[.006]
5p-8p	±0.20[.008]
9p-12p	±0.30[.012]
13p-16p	±0.40[.016]



SECTION H-H

mat'l. code	surface	tolerance	projection	product family
ASME Y14.5	ASME Y14.5	ASME Y14.5	MM INCH	TERMINAL BLOCK
tr	ecm no	dr	date	title
F				TERMINAL BLOCK
	angles			PLUGGABLE, POWER, PLUG, W/FLANGE
	X.F.1*	X.XX±0.1[.004]	scale	dwg no
	dr	JASON HSU 011810		20020517
	engr	JASON HSU 011810		sheet 2 of 2size
	chr	GARY HSEH 011810		A4
	pppd	JOSEPH HSA 011810		CUSTOMER Drawing
sheet	revision			
index	sheet			

form: A4mmXlc

1

2

3

4

1

2

3

4

B

A

A

B

Mouser Electronics

Authorized Distributor

Click to View Pricing, Inventory, Delivery & Lifecycle Information:

Amphenol:

[20020517-M021B01LF](#) [20020517-M041B01LF](#) [20020517-M031B01LF](#) [20020517-M051A11LF](#) [20020517-M141A11LF](#) [20020517-M121A11LF](#) [20020517-M111A11LF](#) [20020517-M091A11LF](#) [20020517-M081A11LF](#) [20020517-M061A11LF](#) [20020517-M071A11LF](#) [20020517-M131A11LF](#) [20020517-M101A11LF](#) [20020517-M161A11LF](#) [20020517-M041A11LF](#) [20020517-M151A11LF](#) [20020517-M031A11LF](#)

FCI / Amphenol:

[20020517-M032B01LF](#) [20020517M121A11L](#) [20020517M101A11L](#) [20020517M141A11L](#) [20020517M071A11L](#) [20020517M061A11L](#) [20020517M041A11L](#) [20020517M091A11L](#) [20020517-M022B01LF](#) [20020517M151A11L](#) [20020517M051A11L](#) [20020517M031A11L](#) [20020517M111A11L](#) [20020517M161A11L](#) [20020517M081A11L](#) [20020517M131A11L](#) [20020517M022B01L](#)