

High Current Toroidal Chokes (HCTC) Common Mode

Features

- Solid base for stable vertical mounting
- Fixed pin spacing for easy PCB insertion
- Wide range of inductance and current
- Single layer wound coils
- High current capacity
- Excellent EMI suppression

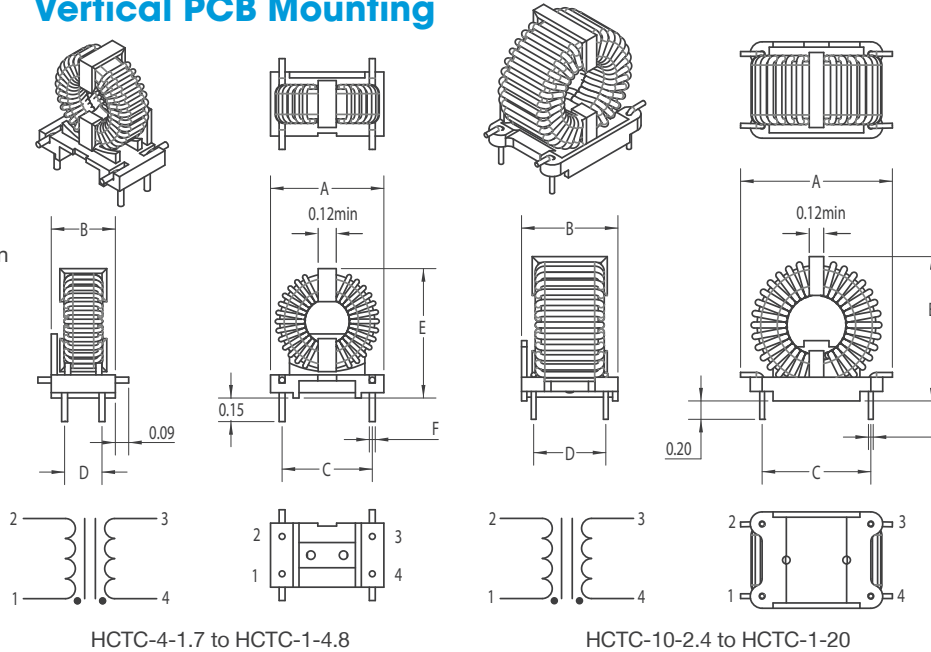
Applications

- EMI/RFI Filtering for SMPS
- LCD Panels, Computers, Monitors
- DC-DC Converters
- EV Charging Power Supplies

Industries

- Industrial & Electronic
- Telecom & Power
- Electric Vehicle (EV)

Vertical PCB Mounting



Notes

1. Dimensions are in inches
2. Max. current based on 35°C temperature rise. Typ
3. Operating temperature range of -55° to +105°C
4. Dielectric Strength: 1,500 V_{RMS}
5. UL 94V-0 rated coil mounting header

Electro-Mechanical Characteristics



Part No.	I (A) Max. (2)	L (mH) Min. @ 1KHz	L (µH) Typical Leakage	DCR (Ω) Max.	Dimension A Max.	Dimension B ±0.010	Dimension C ±0.015	Dimension D ±0.015	Dimension E Max.	Dimension F Max.
HCTC-4-1.7	1.7	4	27	0.173	0.76	0.455 max	0.6	0.25	0.9	0.04
HCTC-30-2.3	2.3	30	136	0.33	1.35	0.815	0.9	0.6	1.45	0.05
HCTC-50-2.3	2.3	50	230	0.45	1.55	0.815	0.9	0.6	1.65	0.05
HCTC-2.5-2.4	2.4	2.5	17	0.09	0.76	0.455 max	0.6	0.25	0.9	0.04
HCTC-10-2.4	2.4	10	45	0.17	1.2	0.606	0.8	0.4	1.2	0.05
HCTC-7-2.8	2.8	7	32	0.12	1.2	0.606	0.8	0.4	1.2	0.05
HCTC-20-2.9	2.9	20	95	0.21	1.35	0.815	0.9	0.6	1.45	0.05
HCTC-36-2.9	2.9	36	167	0.3	1.55	0.815	0.9	0.6	1.65	0.05
HCTC-5-3.7	3.7	5	23	0.07	1.2	0.606	0.8	0.4	1.2	0.05
HCTC-12-4	4	12	57	0.11	1.35	0.815	0.9	0.6	1.45	0.05
HCTC-1-4.8	4.8	1	7	0.022	0.76	0.455 max	0.6	0.25	0.9	0.04
HCTC-8-5.6	5.6	8	38	0.055	1.35	0.815	0.9	0.6	1.45	0.05
HCTC-2-6.6	6.6	2	9	0.022	1.2	0.606	0.8	0.4	1.2	0.05
HCTC-5-8.9	8.9	5	25	0.022	1.45	0.815	0.9	0.6	1.5	0.043
HCTC-7.3-9.3	9.3	7.3	30.5	0.032	1.65	0.815	0.9	0.6	1.65	0.043
HCTC-1-10	10	1	4.5	0.01	1.2	0.606	0.8	0.4	1.2	0.05
HCTC-2.5-12.5	12.5	2.5	12.5	0.011	1.45	0.815	0.9	0.6	1.5	0.053
HCTC-4-14.5	14.5	4	16	0.012	1.7	0.917	1.2	0.7	1.65	0.06
HCTC-1.2-16	16	1.2	6	0.006	1.5	0.815	0.9	0.6	1.53	0.06
HCTC-2.4-17	17	2.4	9.6	0.008	1.7	0.917	1.2	0.7	1.65	0.067
HCTC-1-20	20	1	4	0.007	1.7	0.917	1.2	0.7	1.65	0.067

Custom versions available upon request.

© 2020 Signal Transformer Inc. Specifications subject to change without notice. 8/04/20



128 Atlantic Avenue, Lynbrook, NY 11563
Toll Free 866-239-5777 | Tel 516-239-5777 | Fax 516-239-7208
sales@signaltransformer.com | techhelp@signaltransformer.com

belfuse.com/signal

Mouser Electronics

Authorized Distributor

Click to View Pricing, Inventory, Delivery & Lifecycle Information:

[Bel:](#)

[HCTC-7.3-9.3](#) [HCTC-7-2.8](#) [HCTC-8-5.6](#) [HCTC-36-2.9](#) [HCTC-4-1.7](#) [HCTC-4-14.5](#) [HCTC-50-2.3](#) [HCTC-5-3.7](#)
[HCTC-5-8.9](#) [HCTC-2.4-17](#) [HCTC-2.5-12.5](#) [HCTC-2.5-2.4](#) [HCTC-20-2.9](#) [HCTC-2-6.6](#) [HCTC-30-2.3](#) [HCTC-1.2-16](#)
[HCTC-10-2.4](#) [HCTC-1-10](#) [HCTC-1-20](#) [HCTC-12-4](#) [HCTC-1-4.8](#)