

THIS DRAWING IS UNPUBLISHED.

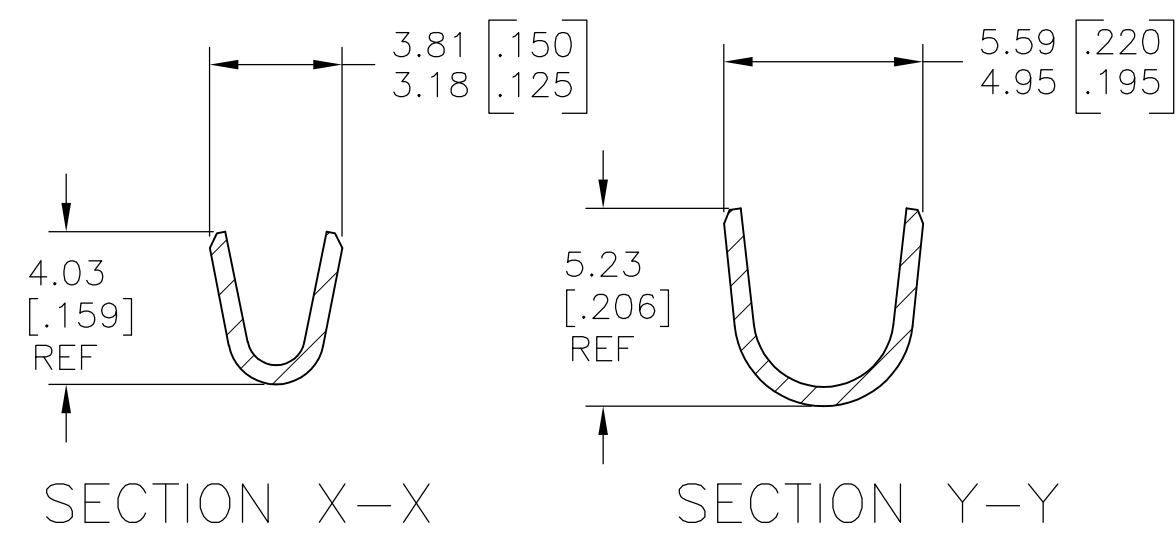
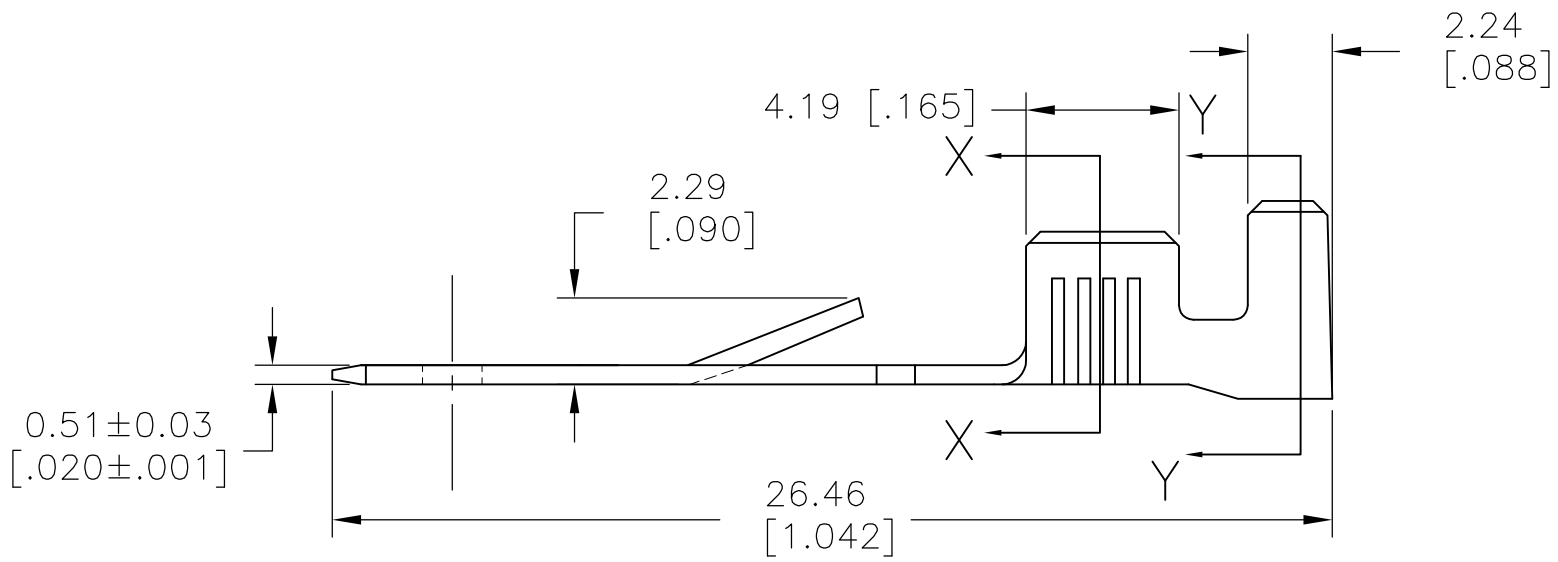
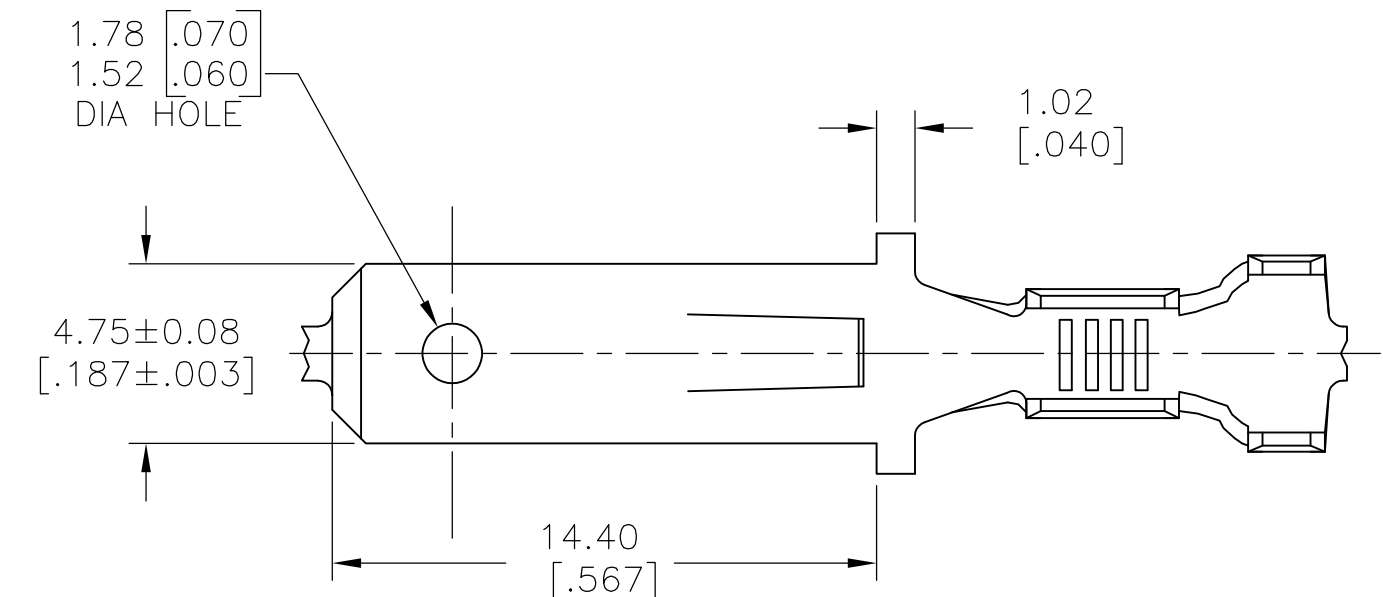
RELEASED FOR PUBLICATION

© COPYRIGHT - By -

ALL RIGHTS RESERVED.

LOC	DIST	REVISIONS			
P	LTR	DESCRIPTION	DATE	DWN	APVD
AF	50	D	REVISED PER ECR-13-015517	03OCT13	JR PD

- 1 CONTINUOUS STRIP ON REELS
- 2 WIRE SIZE IS #18-#14 AWG
- 3 INSULATION RANGE IS 2.79-3.81 [.110-.150] DIA



1742800-1  
PART NO

THIS DRAWING IS A CONTROLLED DOCUMENT.		DWN jr_ruth 24JUN09	TE Connectivity		
DIMENSIONS: mm [INCHES]		CHK PETE_DESANTIS 24JUN09			
TOLERANCES UNLESS OTHERWISE SPECIFIED:		APVD PETE_DESANTIS 24JUN09	NAME TAB, FASTIN-FASTON, 4.75 [.187] SERIES		
0 PLC ± - 1 PLC ± - 2 PLC ± 0.25 [.010] 3 PLC ± - 4 PLC ± - ANGLES ± 5°		PRODUCT SPEC -	DRAWING NO A3 00779 C-1742800		
MATERIAL BRASS		FINISH TIN PLATE	APPLICATION SPEC -	SIZE A3	RESTRICTED TO -
CUSTOMER DRAWING			WEIGHT -	CAGE CODE 00779	SCALE 5:1
			SCALE 5:1	SHEET 1 OF 1	REV D

# Mouser Electronics

Authorized Distributor

Click to View Pricing, Inventory, Delivery & Lifecycle Information:

[TE Connectivity:](#)

[1742800-1](#)