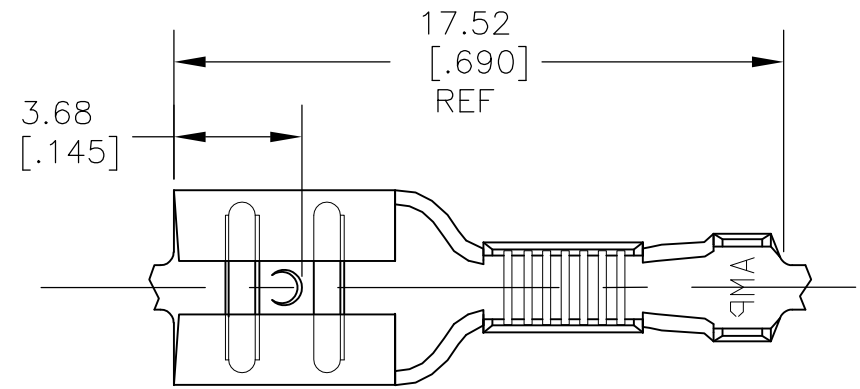
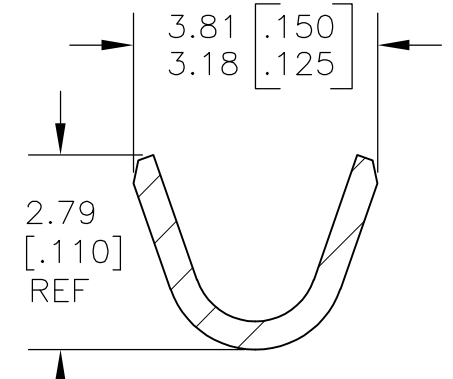
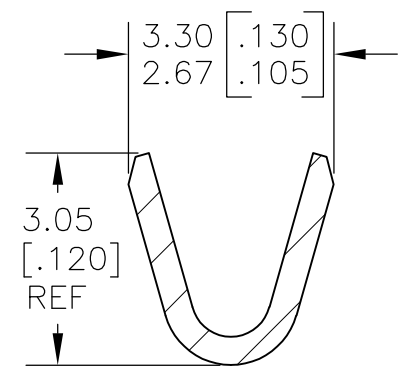
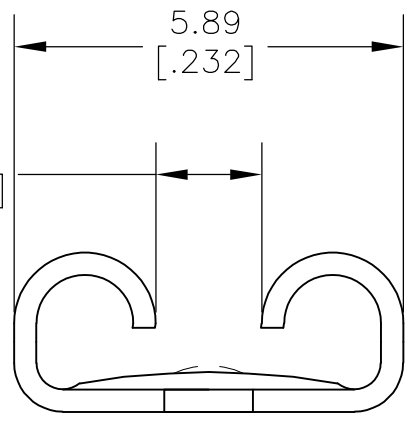
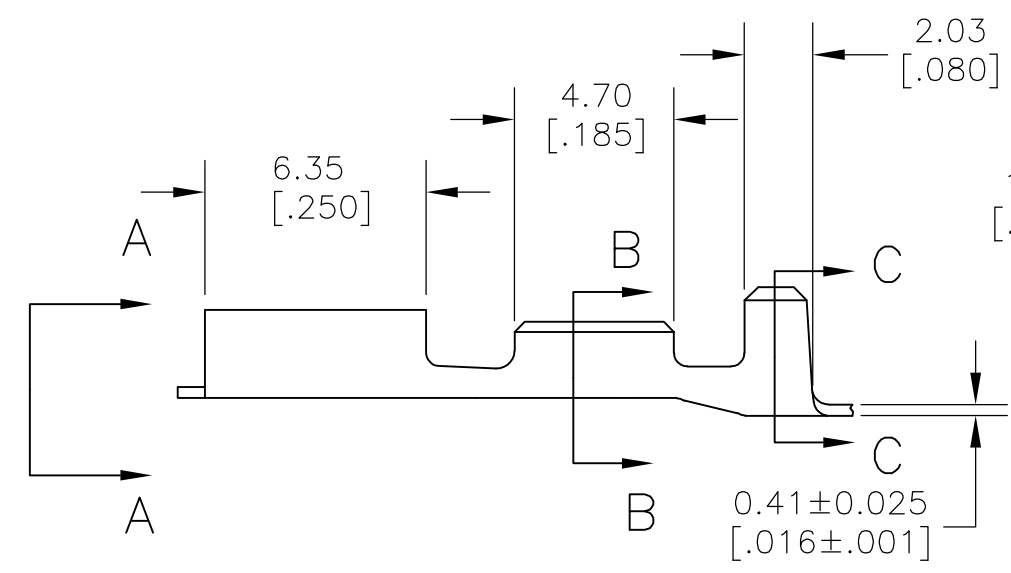


LOC	DIST	REVISIONS					
AF	50	P	LTR	DESCRIPTION	DATE	DWN	APVD
			A3	REVISED PER ECR-09-017795	19AUG09	HMR	PD



- 1 CONTINUOUS STRIP ON REELS
- 2 WIRE SIZE IS 20-16, MAGNET WIRE
- 3 INSULATION RANGE IS 1.27-2.29 [.050-.090] DIA
- 4 MATING TAB THK IS 0.81±0.025 [.032±.001]



VIEW A-A SECTION B-B SECTION C-C

	TIN PLATE	T3 PHOS BRONZE	1742678-2
OBSOLETE	TIN PLATE	4M BRASS	1742678-1
	FINISH	MATERIAL	PART NO

THIS DRAWING IS A CONTROLLED DOCUMENT.		DWN jr ruth 18FEB08	Tyco Electronics Corporation Harrisburg, Pa 17105-3608	
DIMENSIONS: mm [INCHES]		CHK P DESANTIS 18FEB08		
TOLERANCES UNLESS OTHERWISE SPECIFIED:		APVD P DESANTIS 18FEB08	NAME RECEPTACLE, FASTON, 4.75 [.187] SERIES, AMPLIVAR	
0 PLC ± - 1 PLC ± - 2 PLC ± 0.25 [.010] 3 PLC ± - 4 PLC ± - ANGLES ± 5°		PRODUCT SPEC -	RESTRICTED TO -	
MATERIAL SEE TABLE	FINISH SEE TABLE	APPLICATION SPEC -	SIZE A3	CAGE CODE 00779
		WEIGHT -	DRAWING NO C-1742678	
		CUSTOMER DRAWING	SCALE 1:1	SHEET 1 OF 1
			REV A3	

Mouser Electronics

Authorized Distributor

Click to View Pricing, Inventory, Delivery & Lifecycle Information:

[TE Connectivity:](#)

[1742678-2](#)