

THIS DRAWING IS UNPUBLISHED.

RELEASED FOR PUBLICATION

ALL RIGHTS RESERVED.

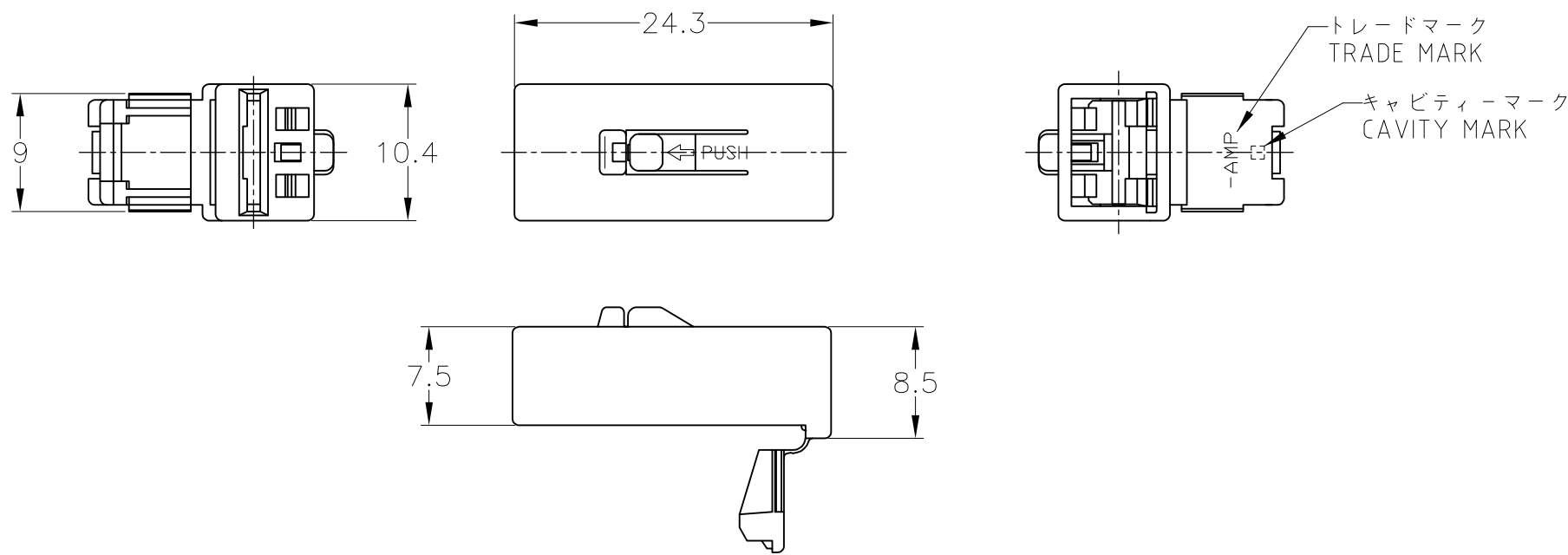
© COPYRIGHT - By -

LOC

DIST

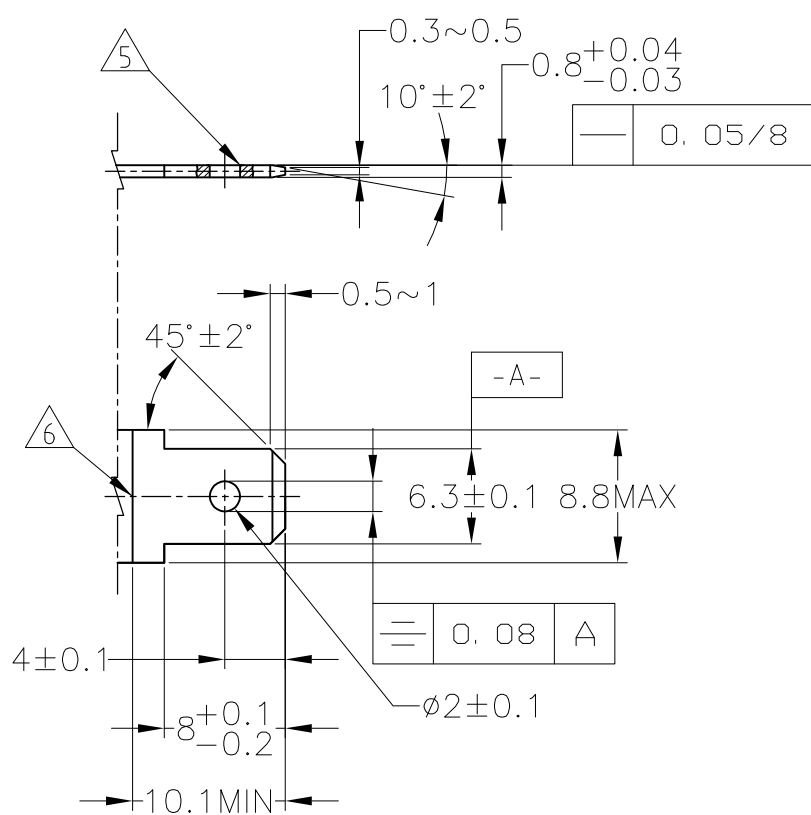
REVISIONS

P	LTR	DESCRIPTION	DATE	DWN	APVD
	C1	REVISED PER ECO-11-005140	28MAR11	RK	HMR

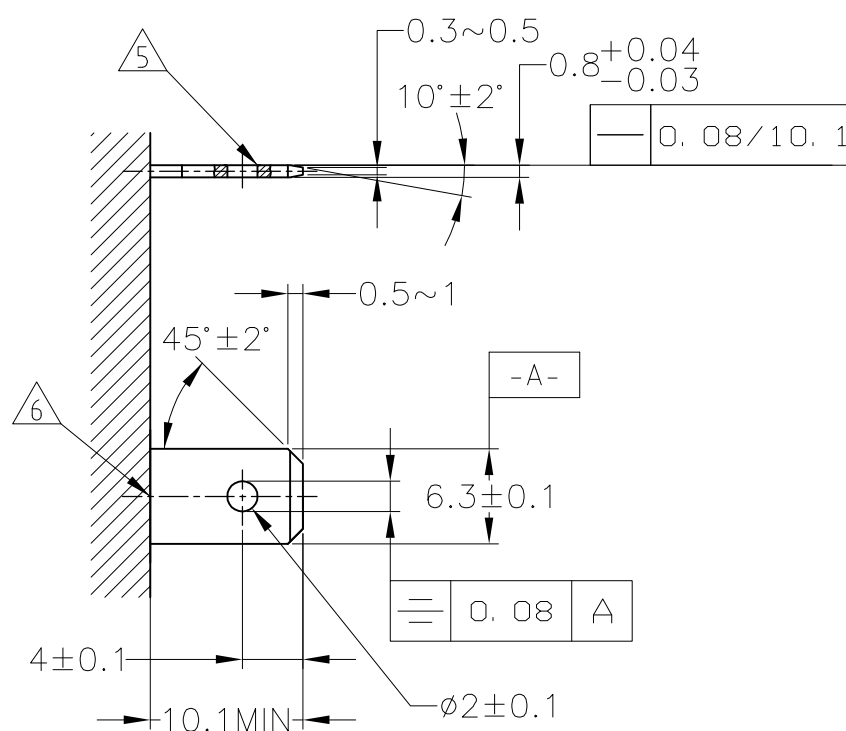


1. PRODUCT SPEC NO. 108-5150
2. APPLICATION SPEC NO. 114-5060
3. CUSTOMER MANUAL NO. CM154J
4. APPLIDE CONTACT PN 170452, 170454
5. WORKMANSHIP OF THE TAB HOLE EDGES MUST BE SUCH THAT EDGES MUST BE FREE FROM THE BURRS, WITH THE SHEAR DROOP NOT EXCEEDING 0.1 MILLIMETER
6. CLEARANCE LINE FOR TAB TO MATE WITH COUNTERPART HOUSING

1. 製品規格番号：108-5150
2. 取付適用規格番号：114-5060
3. 取扱説明書番号：CM-154J
4. 適用コンタクト型番：170452, 170454
5. タブ穴加工の際、バリがなく穴のダレは0.1を越えないこと
6. この部分迄ハウジングが挿入されるための必要スペース



ショルダーを突き当てとする時



樹脂等を突き当てとする時

タブ寸法推奨図
RECOMMENDED MATING TAB DESIGN

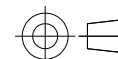
仕上げ：メッキなし又は錫メッキ
FINISH: PLAIN OR ELECTRO-TIN

材料：7/3黄銅 0.8t JIS-3100C-2600P-1/2H
MATERIAL: 70/30 BRASS, t=0.8

一般公差 (GENERAL TOLERANCE)	
10以下	±0.2
10を超え 30以下	±0.25
30を超え 100以下	±0.3
角 度	±3°

THIS DRAWING IS A CONTROLLED DOCUMENT.

DIMENSIONS:	TOLERANCES UNLESS OTHERWISE SPECIFIED:
mm	
	0 PLC ±-
	1 PLC ±-
	2 PLC ±-
	3 PLC ±-
	4 PLC ±-
	ANGLES ±-
	FINISH ±-



MATERIAL
66 ナイロン
66 NYLON

DWN	T.SHINOHARA	17AUG09
CHK	K.BETSUI	17AUG09
APVD	K.BETSUI	17AUG09
PRODUCT SPEC	SEE NOTE 1	
APPLICATION SPEC	SEE NOTE 2	
WEIGHT	-	
CUSTOMER DRAWING		



NAME		250 POSITIVE LOCK 1POS. PLUG HOUSING LOW PRO TYPE CONNECTOR	
SIZE	CAGE CODE	DRAWING NO	RESTRICTED TO
A3	00779	C-174090	-
SCALE		SHEET	REV
2:1		1 OF 1	C1

茶 / BROWN	174090-3
黒 / BLACK	174090-2
自然色 / NATURAL	174090-1
色 / COLOR	型番 / PART NUMBER

Mouser Electronics

Authorized Distributor

Click to View Pricing, Inventory, Delivery & Lifecycle Information:

[TE Connectivity:](#)

[174090-2](#)