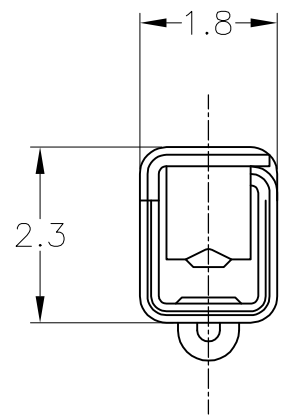
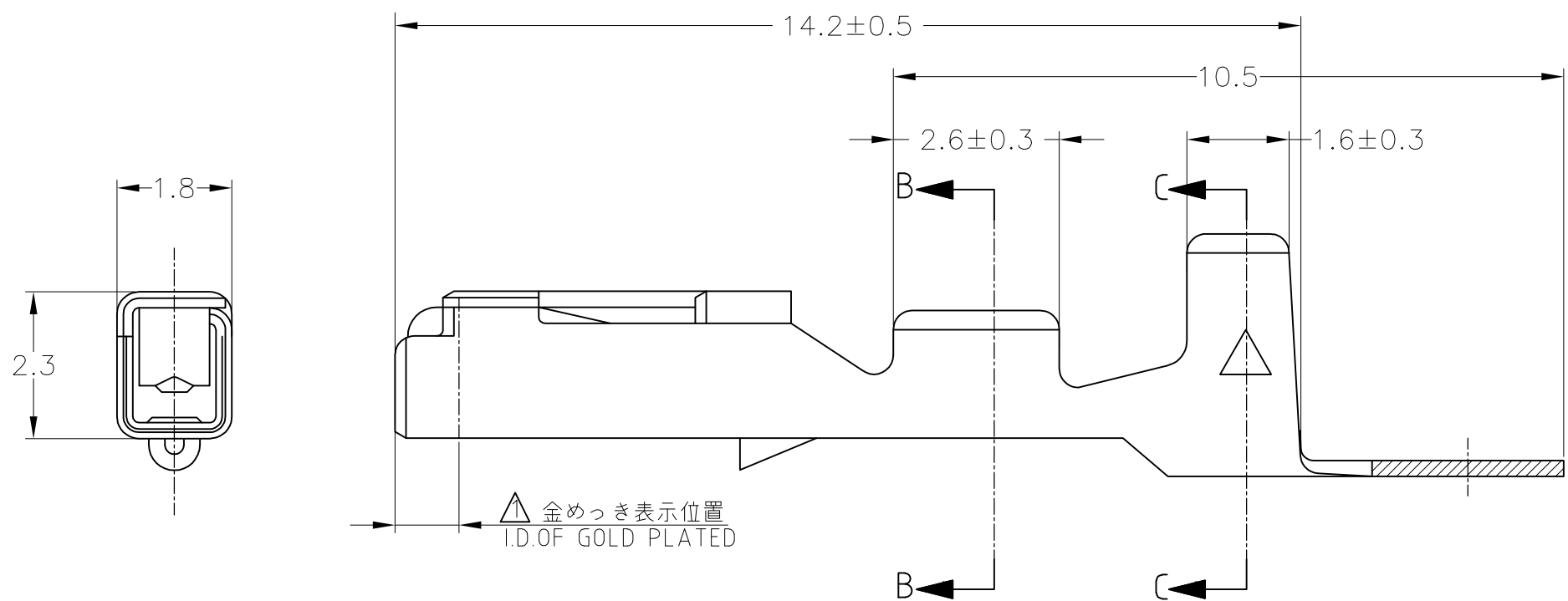
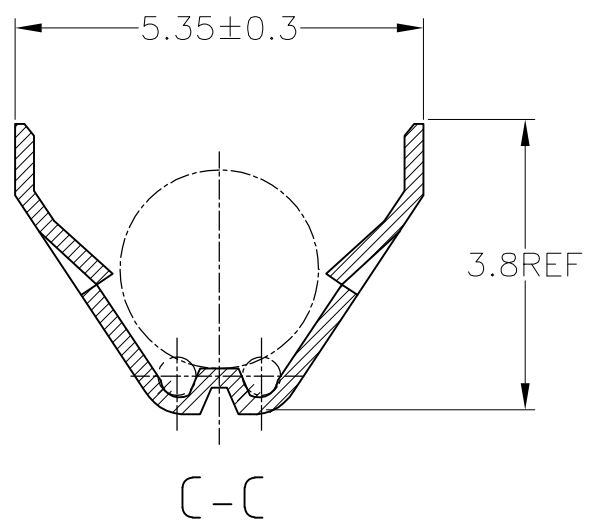
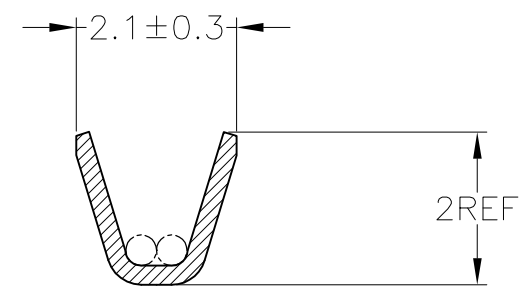
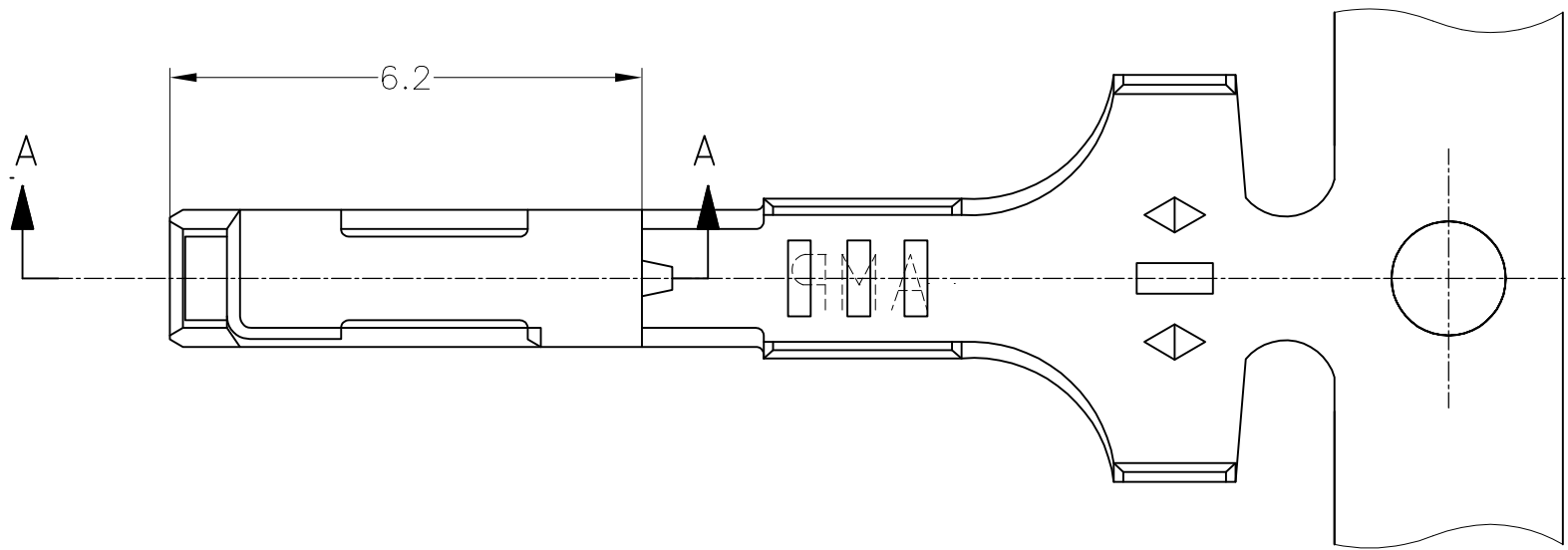


THIS DRAWING IS UNPUBLISHED. RELEASED FOR PUBLICATION
 © COPYRIGHT - By - ALL RIGHTS RESERVED.

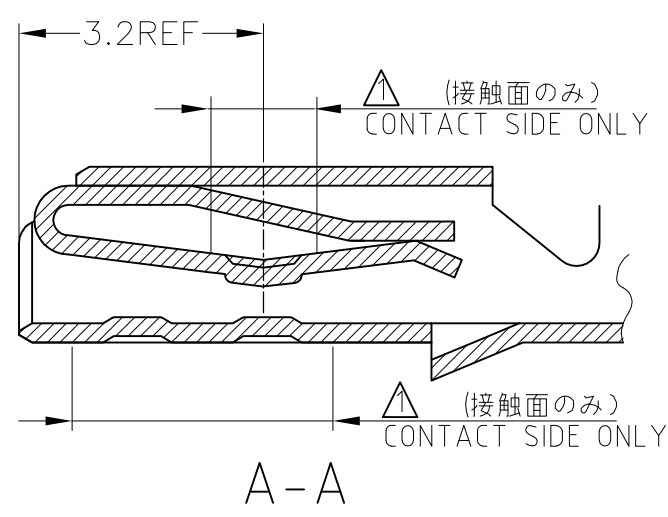
LOC	DIST	REVISIONS					
—	—	P	LTR	DESCRIPTION	DATE	DWN	APVD
		P		REVISED PER ECO-11-005140	28MAR11	RK	HMR



△ SELECTIVE GOLD
 2. APPLICATION SPEC NO. 114-5111

△ 部分金めっき
 2. 取付適用規格番号 114-5111

175061-2	SELECTIVE GOLD 部分金めっき	173716-2
175061-1	PRE-TINNED 錫めっき済	173716-1
LOOSE PIECE NO. バラ状端子型番	FINISH 仕上げ	PART NUMBER 製品型番
WIRE RANGE (抱合電線断面積) 0.3~0.5mm ² (AWG#22~20)		INSULATION DIA. (被覆外径) 1.8~2 mmφ



TOLERANCES UNLESS OTHERWISE SPECIFIED: 一般公差

10 ≥	±0.2
30 ≥ > 10	±0.25
100 ≥ > 30	±0.3
ANGLE	±3°

THIS DRAWING IS A CONTROLLED DOCUMENT.

DIMENSIONS: 単位: 耗 mm	TOLERANCES UNLESS OTHERWISE SPECIFIED: 一般公差
0 PLC ±-	1 PLC ±-
2 PLC ±-	3 PLC ±-
4 PLC ±-	ANGLES ±-
MATERIAL 材料 THICKNESS KLF-5 板厚0.25	FINISH 仕上 SEE TABLE 表参照

DWN M.SUGAWARA 29NOV06	STE TE Connectivity		NAME 名称	RESTRICTED TO
CHK K.BETSUI 29NOV06				
APVD K.BETSUI 29NOV06	PRODUCT SPEC 製品規格		040 SERIES RECEPTACLE CONTACT	
APPLICATION SPEC 取付適用規格	SIZE A3	CAGE CODE 00779	DRAWING NO 番号 C-173716	SCALE 尺度 10:1
WEIGHT -	CUSTOMER DRAWING		SHEET 1 OF 1	REV P

Mouser Electronics

Authorized Distributor

Click to View Pricing, Inventory, Delivery & Lifecycle Information:

[TE Connectivity:](#)

[173716-2](#)