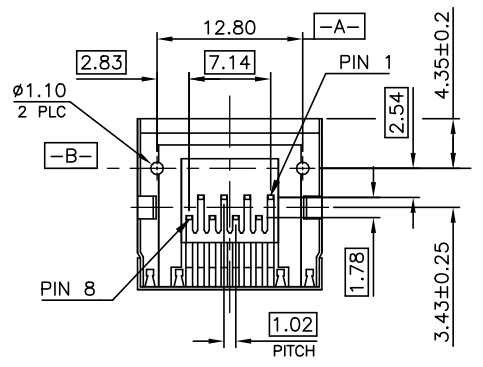
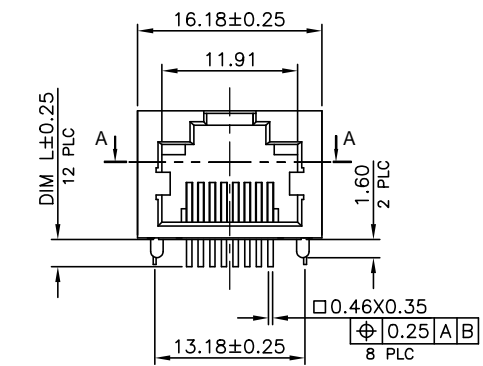
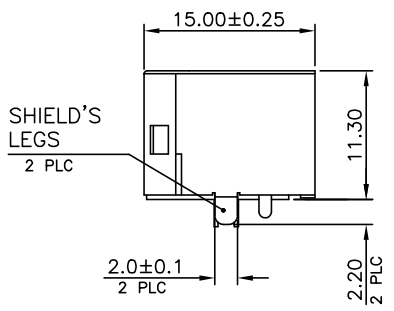
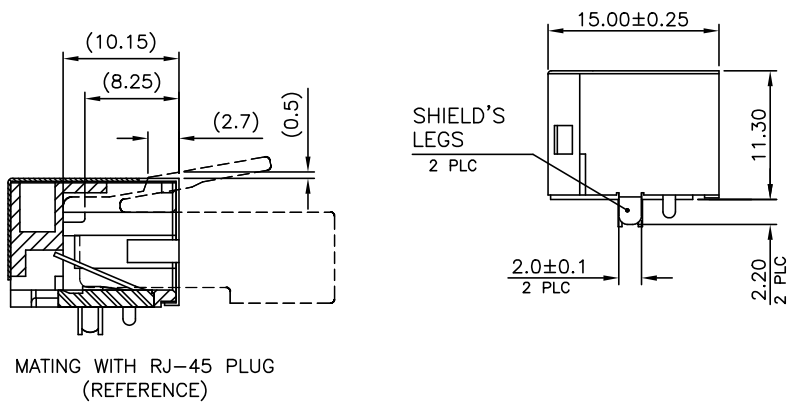
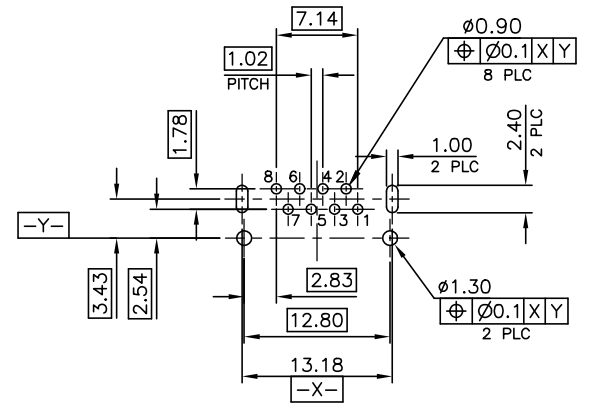
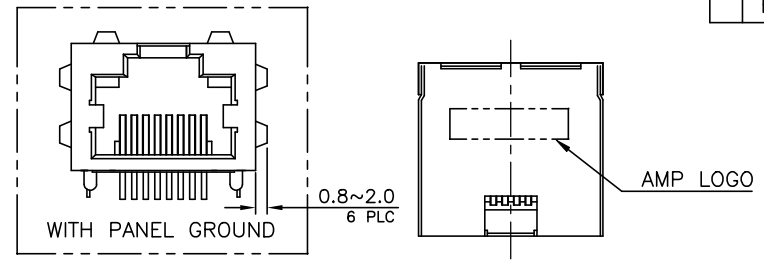
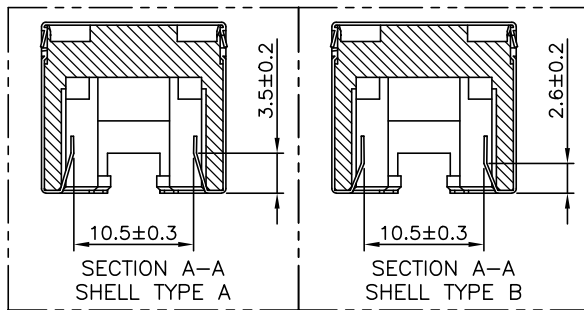


THIS DRAWING IS UNPUBLISHED. RELEASED FOR PUBLICATION  
 © COPYRIGHT 2010 BY TYCO ELECTRONICS CORPORATION. ALL RIGHTS RESERVED.

LOC	DIST	REVISIONS					
DW		P	LTR	DESCRIPTION	DATE	DWN	APVD
		F		(ECO-19-011949)	26NOV2019	R.R	S.H



- NOTE:
- MATERIAL:
    - HOUSING: PA9T WITH 30% GF, UL94 V-0, BLACK COLOR.
    - CONTACTS: PHOSPHOR BRONZE.
    - SHELL: BRASS.
  - FINISH:
    - CONTACTS: (SEE TABLE) GOLD PLATED ON CONTACT AREA. GOLD FLASH ON SOLDER TAIL. 1.27um [50u"] MIN. NICKEL UNDERPLATED OVERALL.
    - SHELL: 0.51um [20u"] MIN. NICKEL PLATED.
  - WAVE SOLDER CAPABLE TO 265°C PER TYCO TEST SPEC. 109-202, CONDITION B.
- ⚠ OBSOLETE PART : OBSOLETE CIS STREAMLINING PER D.RENAUD/D.SINISI  
 ⚠ HOUSING: PA4T WITH GLASS FIBER, UL94 V-0, BLACK COLOR.  
 ⚠ LOW BR/CL AS DEFINED IN TEC-138-702.

RECOMMENDED PCB LAYOUT (THICKNESS: 1.6MM)  
 (DIMENSION TOLERANCE: 1 PLC: ±0.1, 2 PLC: ±0.05)

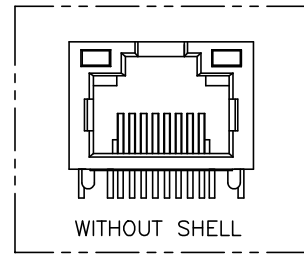
TAPE & REEL	W/O		2.2	6u"	3-1734795-2	
OBSOLETE ⚠	TRAY	W/O	TYPE A	1.5	6u"	3-1734795-1
				50u"	<del>1734795-8</del>	
			30u"	1734795-7		
			15u"	1734795-6		
			TYPE B	2.4	6u"	1734795-5
				50u"	1734795-4	
30u"	<del>1734795-3</del>					
OBSOLETE ⚠	TRAY	W/O	TYPE A	15u"	<del>1734795-2</del>	
				6u"	1734795-1	
PACKAGE TYPE	PANEL GROUND	LED	SHELL TYPE	DIM L	MIN. GOLD THICKNESS	PART NUMBER

THIS DRAWING IS A CONTROLLED DOCUMENT.

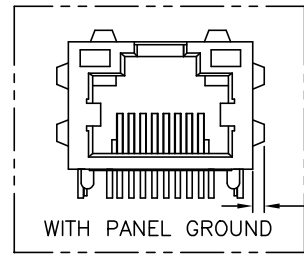
DWN	O. HU	14SEP2007	TE Connectivity MODULAR JACK CONNECTOR RJ45, 8P8C, SHIELDED TAB UP, DIP TYPE, H=11.3mm				
CHK	S. HOU	14SEP2007					
APVD	W.J. KE	14SEP2007					
PRODUCT SPEC	108-57535						
APPLICATION SPEC			SIZE	CAGE CODE	DRAWING NO	RESTRICTED TO	
MATERIAL	SEE NOTE	FINISH	WEIGHT	A3	00779	C=1734795	
SEE NOTE		SEE NOTE		CUSTOMER DRAWING	SCALE	SHEET 1 OF 5	REV F

THIS DRAWING IS UNPUBLISHED. RELEASED FOR PUBLICATION  
 © COPYRIGHT 2010 BY TYCO ELECTRONICS CORPORATION. ALL RIGHTS RESERVED.

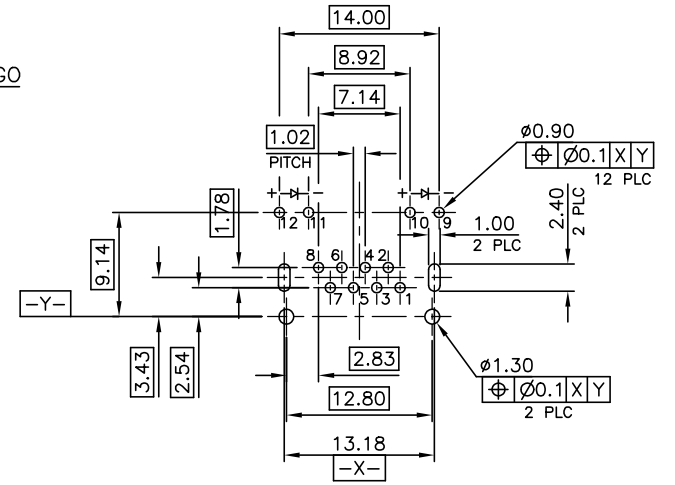
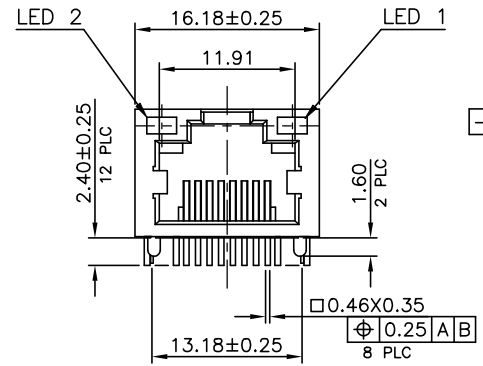
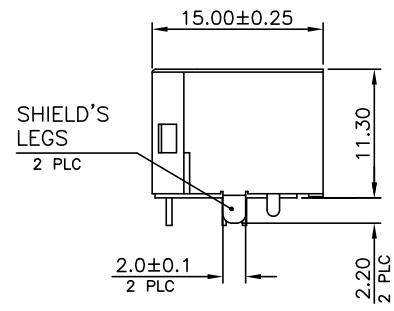
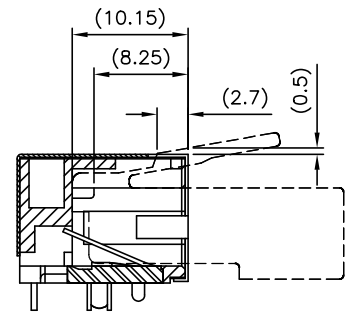
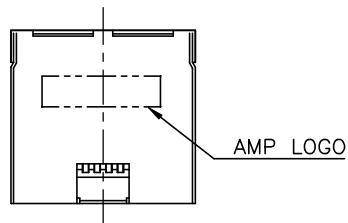
LOC		DIST		REVISIONS					
DW				P	LTR	DESCRIPTION	DATE	DWN	APVD
						SEE SHEET 1.			



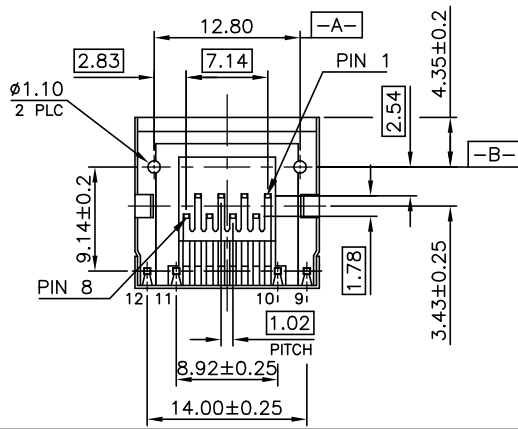
1-1734795-9



0.8~2.0  
6 PLC



- NOTE:
- MATERIAL:
    - 1.1 HOUSING: PA9T WITH 30% GF, UL94 V-0, BLACK COLOR.
    - 1.2 CONTACTS: PHOSPHOR BRONZE.
    - 1.3 SHELL: BRASS.
    - 1.4 LED LIGHT: EPOXY RESIN & STEEL
  - FINISH:
    - 2.1 CONTACTS: (SEE TABLE) GOLD PLATED ON CONTACT AREA. GOLD FLASH ON SOLDER TAIL.
      - 1.27um [50u"] MIN. NICKEL UNDERPLATED OVERALL.
    - 2.2 SHELL: 0.51um [20u"] MIN. NICKEL PLATED.
    - 2.3 LED: 1.02um [40u"] COPPER UNDERPLATED OVERALL.
      - 1.27um [50u"] NICKEL OVERALL.
      - 1.27um [50u"] SILVER ON BONDING AREA.
      - 2.54um [100u"] BRIGHT-TIN ON SOLDER AREA.
  - WAVE SOLDER CAPABLE TO 265°C PER TYCO TEST SPEC. 109-202, CONDITION B.
    - ⚠ OBSOLETE PART : OBSOLETE CIS STREAMLINING PER D.RENAUD/D.SINISI
    - ⚠ LED: 1.02um [40u"] COPPER UNDERPLATED OVERALL
      - 0.5um [20u"] NICKEL OVERALL
      - 1.27um [50u"] SILVER ON BONDING AREA
      - 2.54um [100u"] BRIGHT-TIN ON SOLDER AREA
    - ⚠ WITHOUT OUTER SHELL



W/O	GREEN/YELLOW	GREEN/YELLOW	50u" LUBRICATION GOLD PLATE CONTACT AREA	2-1734795-8
	GREEN	GREEN	15u"	2-1734795-2
			50u"	1-1734795-8
OBsolete	W/O	ORANGE	YELLOW	30u" 1-1734795-7
OBsolete				15u" 1-1734795-6
				6u" 1-1734795-5
OBsolete				50u" 1-1734795-4
OBsolete				30u" 1-1734795-3
OBsolete	W/O	YELLOW	GREEN	15u" 1-1734795-2
				6u" 1-1734795-9
				6u" 1-1734795-1
	PANEL GROUND	LED 2	LED 1	MIN. GOLD THICKNESS
				PART NUMBER

THIS DRAWING IS A CONTROLLED DOCUMENT.

DWN \_\_\_\_\_

CHK \_\_\_\_\_

APVD \_\_\_\_\_

PRODUCT SPEC \_\_\_\_\_

APPLICATION SPEC \_\_\_\_\_

WEIGHT 3.5 GRAMS

CUSTOMER DRAWING

SCALE \_\_\_\_\_ SHEET 2 of 5 REV F

TE Connectivity

MODULAR JACK CONNECTOR  
RJ45, 8P8C, SHIELDED  
TAB UP, DIP TYPE, H=11.3mm

SIZE A3 CAGE CODE 00779 C=1734795

4

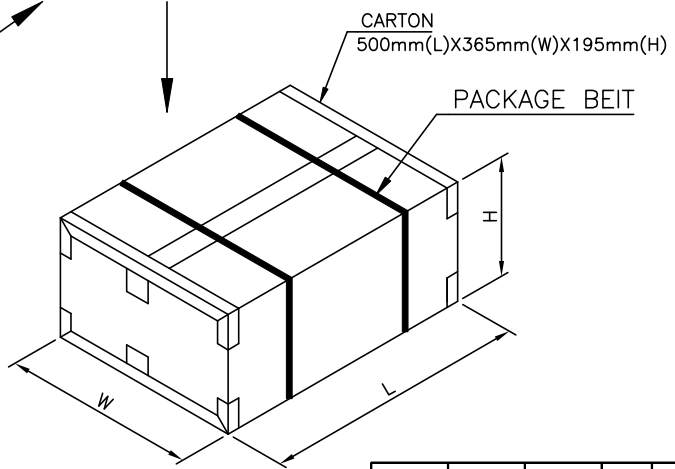
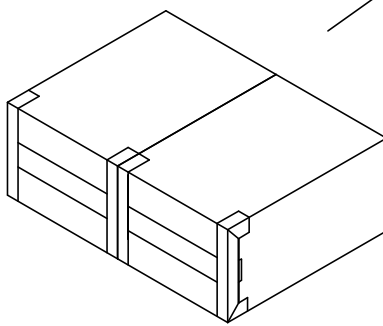
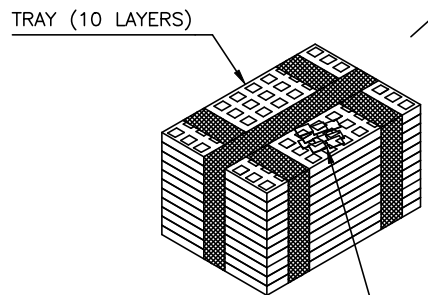
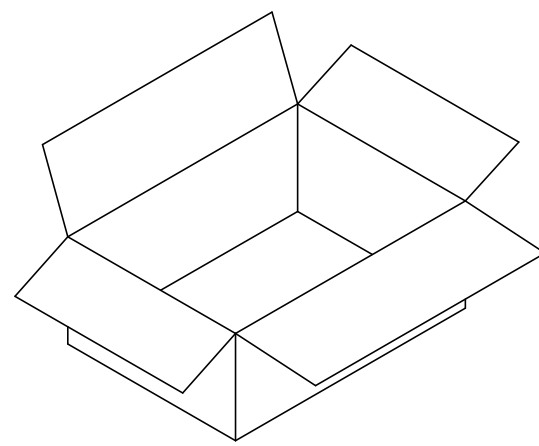
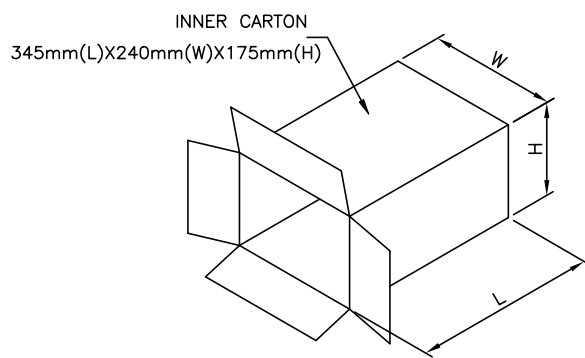
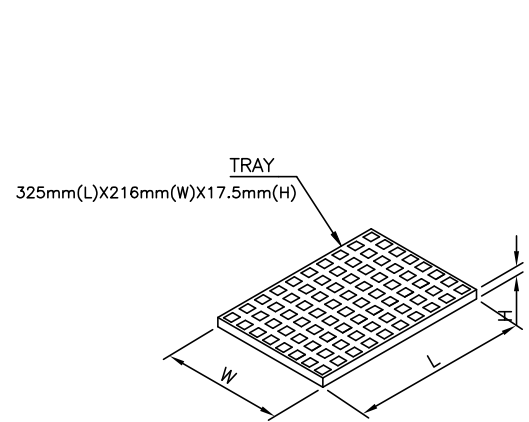
3

2

1

THIS DRAWING IS UNPUBLISHED. RELEASED FOR PUBLICATION  
 © COPYRIGHT 2010 BY TYCO ELECTRONICS CORPORATION. ALL RIGHTS RESERVED.

LOC	DIST	REVISIONS			
P	LTR	DESCRIPTION	DATE	DWN	APVD
DW		SEE SHEET 1.			



					1734795-4
					<del>1734795-3</del>
					<del>1734795-2</del>
					1734795-1
PCS/TRAY	TRAYS/CARTON	QUANTITY (PCS)	G/W (Kg)	N/W (Kg)	PART NUMBER
80	800	1600	8.5	6.5	

THIS DRAWING IS A CONTROLLED DOCUMENT.

DIMENSIONS: mm	TOLERANCES UNLESS OTHERWISE SPECIFIED	DWN	TE Connectivity		
	0 PLC ± - 1 PLC ± 0.3 2 PLC ± 0.2 3 PLC ± 0.15 4 PLC ± - ANGLES ± 3'	CHK	NAME		
MATERIAL	FINISH	APVD	MODULAR JACK CONNECTOR RJ45, 8P8C, SHIELDED TAB UP, DIP TYPE, H=11.3mm		
		PRODUCT SPEC	SIZE	CAGE CODE	DRAWING NO
		APPLICATION SPEC	A3	00779	C=1734795
		WEIGHT	CUSTOMER DRAWING		RESTRICTED
			SCALE	SHEET	REV
				3 OF 5	F

4

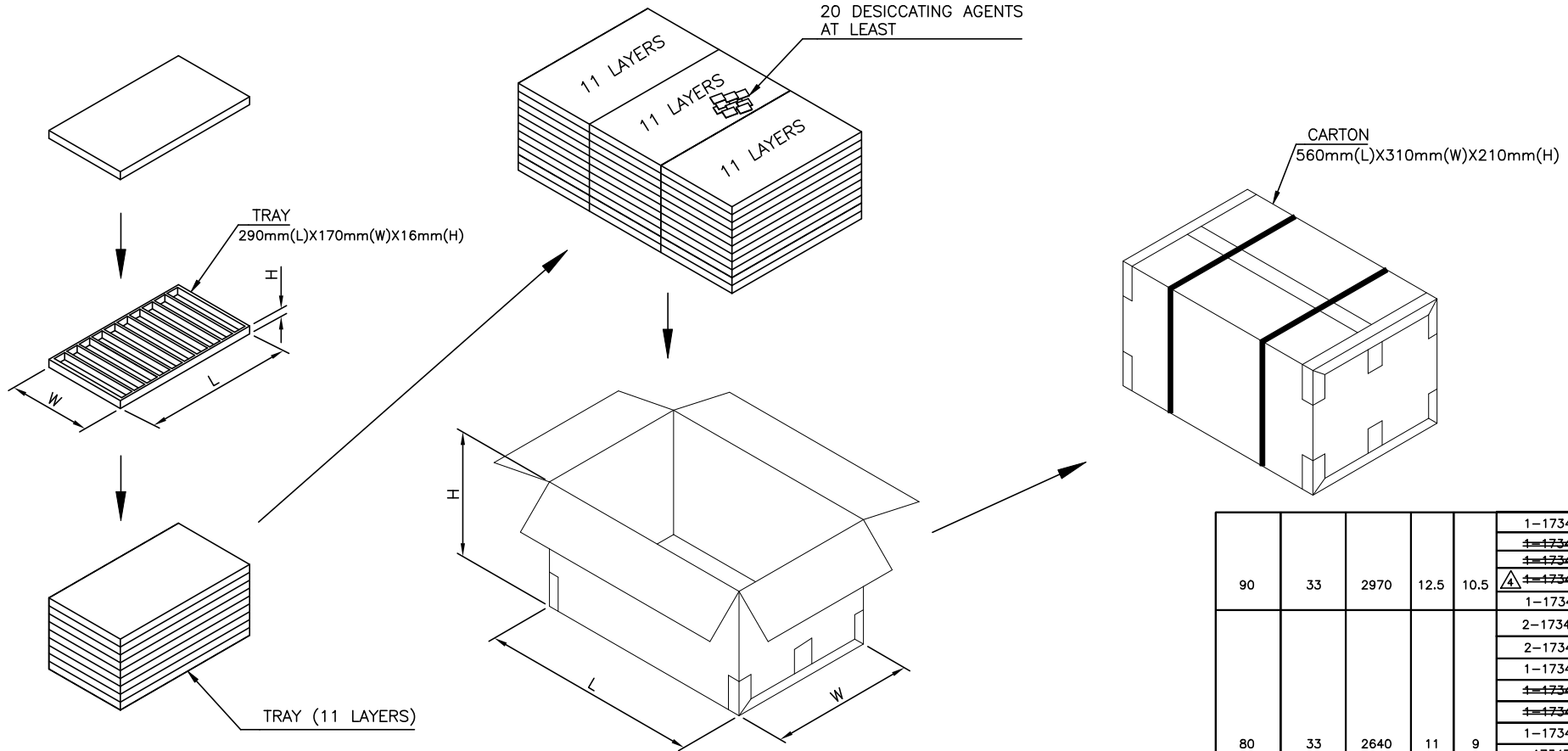
3

2

1

THIS DRAWING IS UNPUBLISHED. RELEASED FOR PUBLICATION  
© COPYRIGHT 2010 BY TYCO ELECTRONICS CORPORATION. ALL RIGHTS RESERVED.

LOC DW	DIST	REVISIONS			
P	LTR	DESCRIPTION	DATE	DWN	APVD
		SEE SHEET 1.			

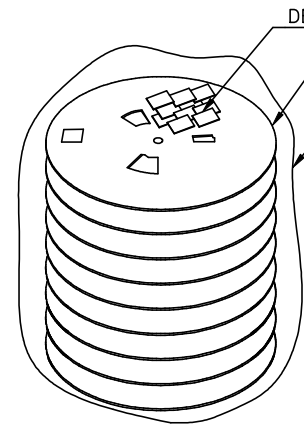
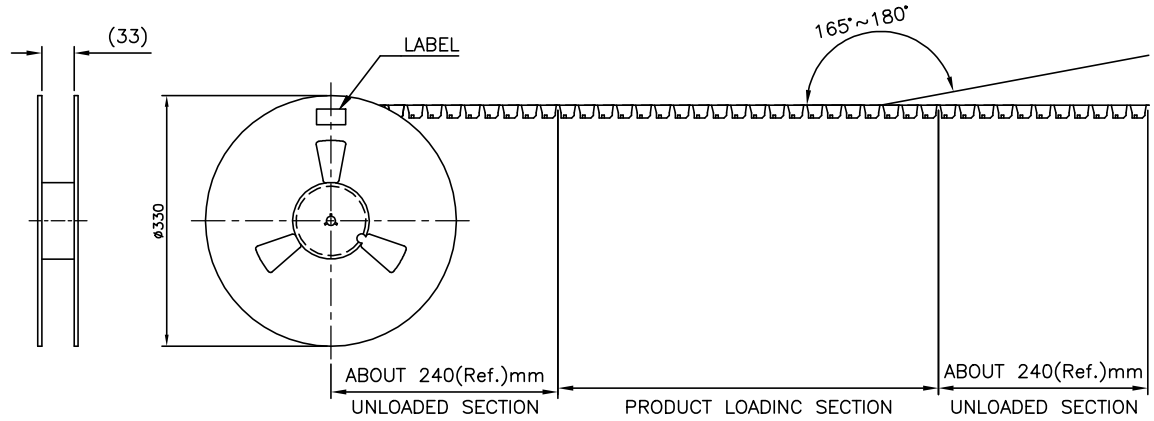


90	33	2970	12.5	10.5	1-1734795-9
					<del>1-1734795-4</del>
80	33	2640	11	9	<del>1-1734795-3</del>
					<del>1-1734795-2</del>
					1-1734795-1
					2-1734795-8
					2-1734795-2
					1-1734795-8
					<del>1-1734795-7</del>
					<del>1-1734795-6</del>
					1-1734795-5
					<del>1-1734795-8</del>
					1734795-7
					3-1734795-6
					1734795-6
					1734795-5
PCS/TRAY	TRAYS/CARTON	QUANTITY (PCS)	G/W (kg)	N/W (kg)	PART NUMBER

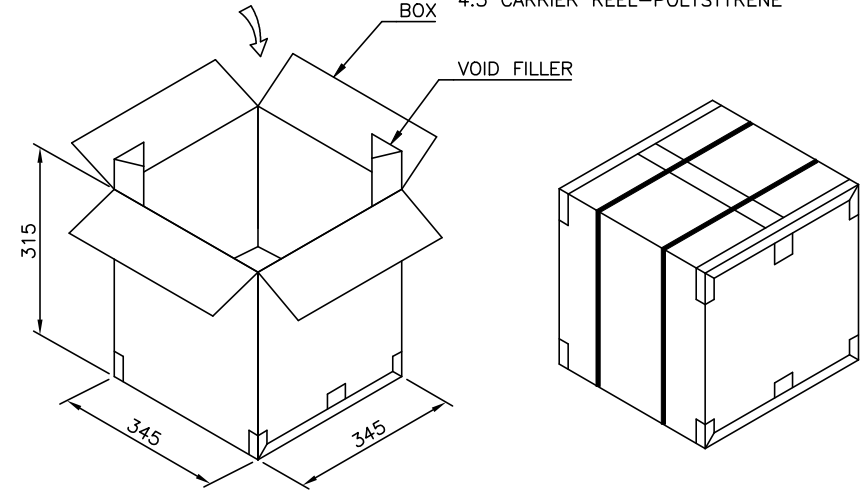
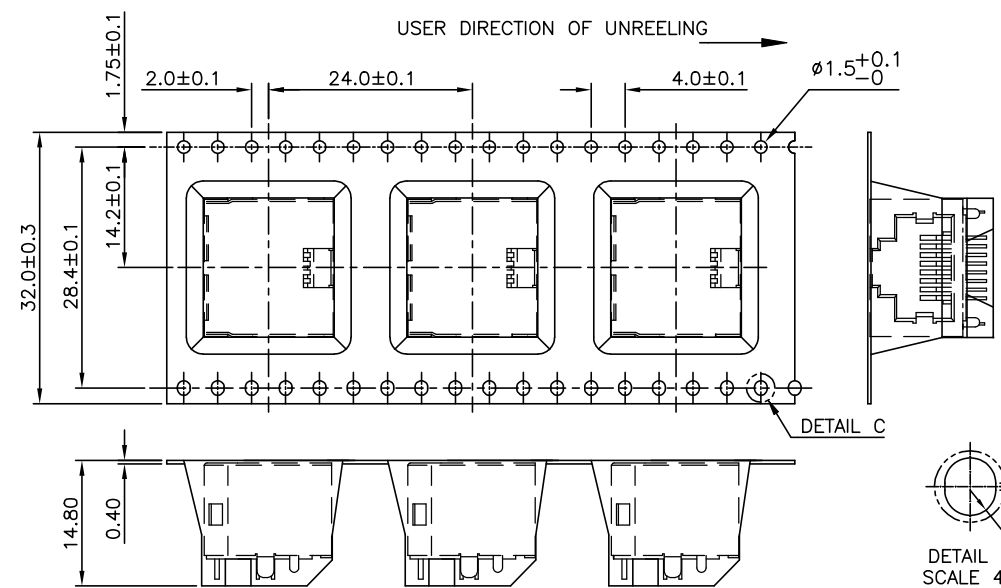
THIS DRAWING IS A CONTROLLED DOCUMENT.		DWN	TE Connectivity		
DIMENSIONS: mm		CHK	NAME		
TOLERANCES UNLESS OTHERWISE SPECIFIED:		APVD	MODULAR JACK CONNECTOR		
0 PLC ± -		PRODUCT SPEC	RJ45, 8P8C, SHIELDED		
1 PLC ± 0.3		APPLICATION SPEC	TAB UP, DIP TYPE, H=11.3mm		
2 PLC ± 0.2		WEIGHT	SIZE	CAGE CODE	DRAWING NO
3 PLC ± 0.15		CUSTOMER DRAWING	A3	00779	©=1734795
4 PLC ± -			RESTRICTED TO		
ANGLES ± 3'			SCALE		SHEET 4 of 5
MATERIAL	FINISH		REV		F

THIS DRAWING IS UNPUBLISHED. RELEASED FOR PUBLICATION  
 © COPYRIGHT 2010 BY TYCO ELECTRONICS CORPORATION. ALL RIGHTS RESERVED.

LOC	DIST	REVISIONS			
P	LTR	DESCRIPTION	DATE	DWN	APVD
		SEE SHEET 1.			



- NOTE:
- EACH BAG SHALL BE INCLUDED:  
\*DESICCANT
  - PEELING STRENGTH: 0.1~1.3N(1~130 GRAMS) FOR 12~56mm WIDE CARRIER TAPES
  - PEELING SPEED: 300mm/MINUTES.
  - PACKAGING MATERIAL:
    - COVER TAPE—COMPOSITE OF POLYETHYLENE TEREPHTHALATE (PET)
    - CARRIER—POLYSTYRENE (PS)
    - CARRIER REEL—POLYSTYRENE



8.7 KG	5.05 KG	180	8	1440	3-1734795-2
GROSS WEIGHT	NET WEIGHT	PCS/REEL/BOX	REEL/BOX	PCS/BOX	PART NUMBER
					3-1734795-1

THIS DRAWING IS A CONTROLLED DOCUMENT.		DWN	 TE Connectivity MODULAR JACK CONNECTOR RJ45, 8P8C, SHIELDED TAB UP, DIP TYPE, H=11.3mm		
DIMENSIONS: mm		CHK			
TOLERANCES UNLESS OTHERWISE SPECIFIED:		APVD			
MATERIAL		PRODUCT SPEC			
FINISH		APPLICATION SPEC	SIZE	CAGE CODE	DRAWING NO
0 PLC ± - 1 PLC ± 0.3 2 PLC ± 0.2 3 PLC ± 0.15 4 PLC ± - ANGLES ± 3°		WEIGHT	A3	00779	C=1734795
		CUSTOMER DRAWING	RESTRICTED TO		
			SCALE	SHEET	REV
				5 of 5	F

# Mouser Electronics

Authorized Distributor

Click to View Pricing, Inventory, Delivery & Lifecycle Information:

[TE Connectivity:](#)

[1734795-4](#)