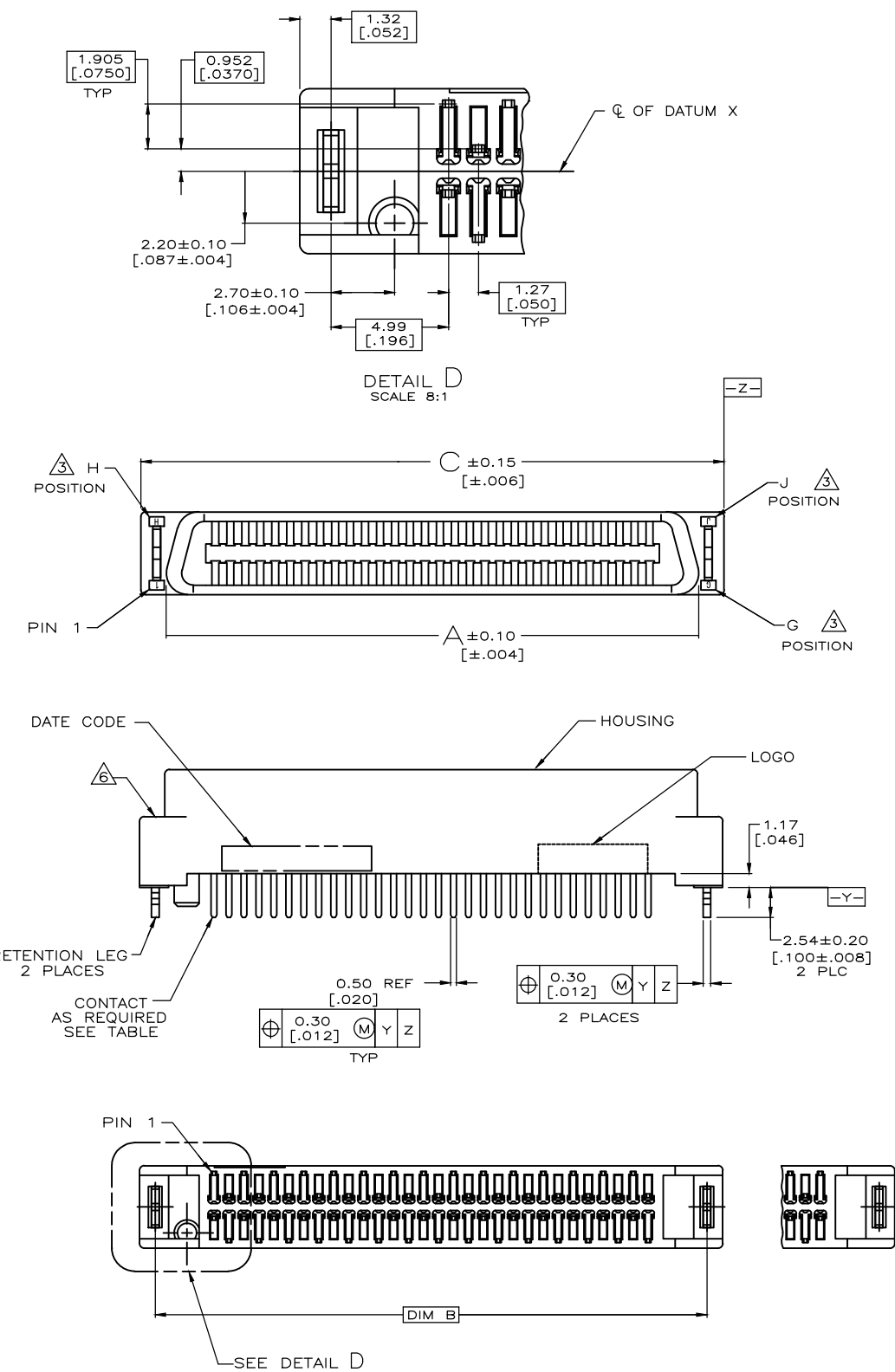


THIS DRAWING IS UNPUBLISHED. RELEASED FOR PUBLICATION
 © COPYRIGHT - By - ALL RIGHTS RESERVED.

REVISIONS					
P	LTR	DESCRIPTION	DATE	DWN	APVD
	E1	REVISED PER ECO-18-006211	19JUN2018	TX	SH



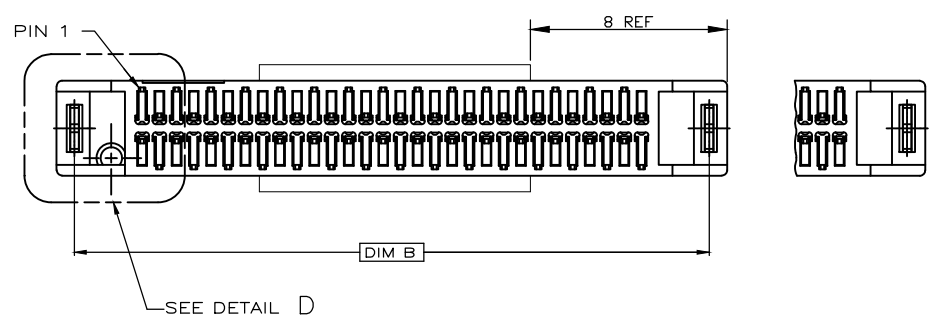
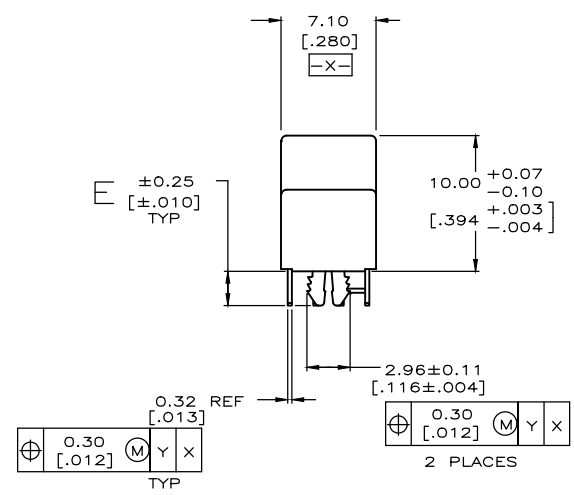
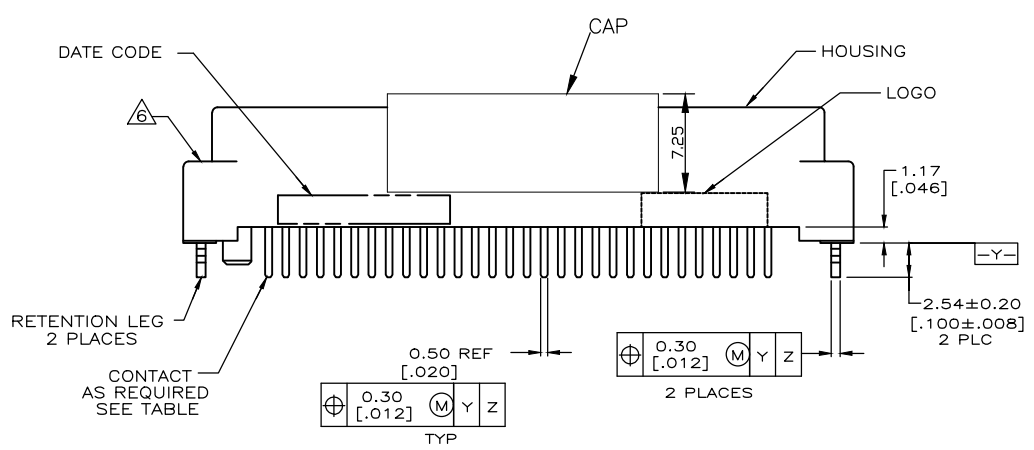
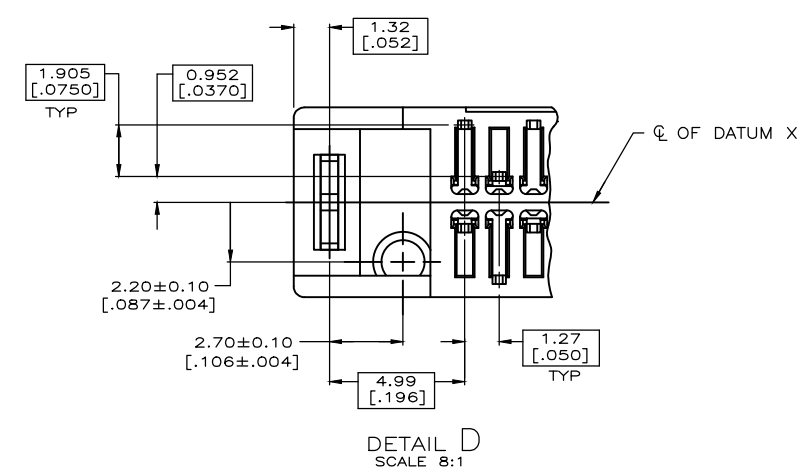
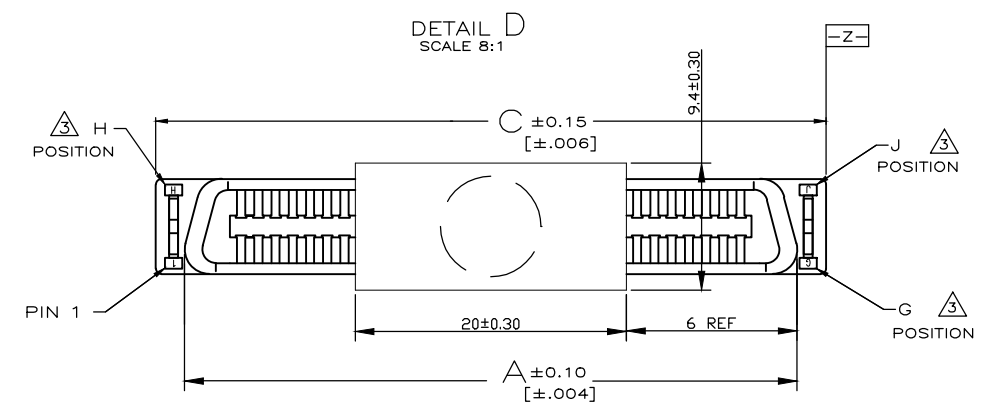
NOTE:
 1. MATERIAL:
 HOUSING: LCP, MOLDING COMPOUND, UL 94V-0, BLACK COLOR.
 CONTACTS: BRASS.
 BOARDLOCKS: BRASS.
 2. FINISH:
 CONTACTS: (SEE TABLE) GOLD PLATED ON CONTACT AREA,
 3.81μm [150μ"] MIN. MATTE-TIN ON SOLDERTAIL,
 1.27μm [50μ"] MIN. NICKEL UNDERPLATED OVERALL.
 BOARDLOCKS: 3.81μm [150μ"] MIN. TIN-Cu OVER
 1.27μm [50μ"] MIN. UNDERPLATED.
 △ G, J, H INDICATE NUMBER OF POSITION MARKED ON ASSEMBLY.
 ALSO SEE TABLE.
 △ ALL DIMENSIONS SHOWN ARE MAXIMUM UNLESS OTHERWISE SPECIFIED.
 △ RETENTION LEGS NOT PRESENT.
 △ TOP OF RETENTION LEG MAY NOT PROTRUDE ABOVE THIS SURFACE.
 △ HOUSING BOW UP TO 0.30 [.012] ALLOWED.
 8. 60 POSITION AS SHOWN.
 9. WAVE SOLDER CAPABLE TO 265°C PER TEST SPEC.
 109-202, CONDITION B.
 △ GOLD FLASH OVER
 0.762μm [30μ"] MIN. PALLADIUM-NICKEL PLATED.

PCB THICKNESS	E	C	B	A	G	J	H	CONTACT PLATE	PART NUMBER	PDS.
								GOLD FLASH	5-1734100-8	180
	0.80-1.60 [.031-.063]	2.54 [.100]	125.65 [4.947]	123.01 [4.843]	121.37 [4.778]	90	180	0.381mm[15m"]	3-1734100-8	
								△	1-1734100-8	
								△	7-1734100-6	160
	0.80-1.60 [.031-.063]	2.54 [.100]	112.95 [4.447]	110.31 [4.343]	108.67 [4.278]	80	160	0.381mm[15m"]	3-1734100-6	
								△	1-1734100-6	
								GOLD FLASH	5-1734100-3	130
	0.80-1.60 [.031-.063]	2.54 [.100]	93.90 [3.697]	91.26 [3.593]	89.62 [3.528]	65	130	0.381mm[15m"]	3-1734100-3	
								△	1-1734100-3	
								GOLD FLASH	5-1734100-2	120
	0.80-1.60 [.031-.063]	2.54 [.100]	87.55 [3.447]	84.91 [3.343]	83.27 [3.278]	60	120	0.381mm[15m"]	3-1734100-2	
								△	1-1734100-2	
								GOLD FLASH	5-1734100-1	100
	2.08 [.082]	3.17 [.125]	74.85 [2.947]	72.21 [2.843]	70.57 [2.778]	50	100	0.381mm[15m"]	3-1734100-1	
								△	1-1734100-1	
								GOLD FLASH	5-1734100-0	
	0.80-1.60 [.031-.063]	2.54 [.100]	74.85 [2.947]	72.21 [2.843]	70.57 [2.778]	50	100	0.381mm[15m"]	3-1734100-0	
								△	1-1734100-0	
								GOLD FLASH	4-1734100-9	80
	0.80-1.60 [.031-.063]	2.54 [.100]	62.15 [2.447]	59.51 [2.343]	57.87 [2.278]	40	80	0.381mm[15m"]	2-1734100-9	
								△	1734100-9	
								GOLD FLASH	4-1734100-8	80
	0.80-1.60 [.031-.063]	2.54 [.100]	62.15 [2.447]	59.51 [2.343]	57.87 [2.278]	40	80	0.381mm[15m"]	2-1734100-8	
								△	1734100-8	
								GOLD FLASH	4-1734100-7	68
	0.80-1.60 [.031-.063]	2.54 [.100]	54.53 [2.147]	51.89 [2.043]	50.25 [1.978]	34	68	0.381mm[15m"]	2-1734100-7	
								△	1734100-7	
								GOLD FLASH	4-1734100-6	60
	0.80-1.60 [.031-.063]	2.54 [.100]	49.45 [1.947]	46.81 [1.843]	45.17 [1.778]	30	60	0.381mm[15m"]	2-1734100-6	
								△	1734100-6	
								GOLD FLASH	5-1734100-9	50
	2.08 [.082]	3.17 [.125]	43.10 [1.697]	40.46 [1.593]	38.82 [1.528]	25	50	0.381mm[15m"]	3-1734100-9	
								△	1-1734100-9	
								GOLD FLASH	4-1734100-5	50
	0.80-1.60 [.031-.063]	2.54 [.100]	43.10 [1.697]	40.46 [1.593]	38.82 [1.528]	25	50	0.381mm[15m"]	2-1734100-5	
								△	1734100-5	
								GOLD FLASH	4-1734100-4	40
	0.80-1.60 [.031-.063]	2.54 [.100]	36.75 [1.447]	34.11 [1.343]	32.47 [1.278]	20	40	0.381mm[15m"]	2-1734100-4	
								△	1734100-4	
								GOLD FLASH	4-1734100-3	30
	0.80-1.60 [.031-.063]	2.54 [.100]	30.40 [1.197]	27.76 [1.093]	26.12 [1.025]	15	30	0.381mm[15m"]	2-1734100-3	
								△	1734100-3	
								GOLD FLASH	4-1734100-2	20
	2.08 [.082]	3.17 [.125]	24.05 [.947]	21.41 [.843]	19.77 [.778]	10	20	0.381mm[15m"]	2-1734100-2	
								△	1734100-2	

THIS DRAWING IS A CONTROLLED DOCUMENT.		DWN F. YANG 31MAR2009	TE Connectivity Ltd.				
DIMENSIONS: mm		CHK S. CHIEN 31MAR2009					
TOLERANCES UNLESS OTHERWISE SPECIFIED:		APVD W. KODAMA 31MAR2009	NAME				
0 PLC ± - 1 PLC ± - 2 PLC ± - 3 PLC ± - 4 PLC ± - ANGLES ± -		PRODUCT SPEC 108-57876	PLUG ASSEMBLY, VERTICAL BOARD-TO-BOARD, CHAMP .050, SERIES I				
MATERIAL SEE NOTE		FINISH SEE NOTE	APPLICATION SPEC	SIZE	CAGE CODE	DRAWING NO	RESTRICTED TO
			WEIGHT 0	A3	00779	C-1734100	
			CUSTOMER DRAWING	SCALE	SHEET	REV	
					1 OF 6	E1	

THIS DRAWING IS UNPUBLISHED. RELEASED FOR PUBLICATION
 © COPYRIGHT - By - ALL RIGHTS RESERVED.

REVISIONS					
P	LTR	DESCRIPTION	DATE	DWN	APVD
-	-	SEE SHEET 1	-	-	-



FOR 5-1734100-4 WITH CAP

0.80-1.60 [.031-.063]	2.54 [.100]	36.75 [1.447]	34.11 [1.343]	32.47 [1.278]	20	40	21		5-1734100-4	40
PCB THICKNESS	E	C	B	A	G	J	H	CONTACT PLATED	PART NUMBER	PDS.

THIS DRAWING IS A CONTROLLED DOCUMENT.		DWN F. YANG 31 MAR 2009	TE Connectivity Ltd.															
DIMENSIONS: mm		CHK S. CHIEN 31 MAR 2009																
TOLERANCES UNLESS OTHERWISE SPECIFIED:		APVD W. KODAMA 31 MAR 2009	NAME PLUG ASSEMBLY, VERTICAL BOARD-TO-BOARD, CHAMP .050, SERIES I															
<table border="0"> <tr> <td>0 PLC</td><td>± -</td></tr> <tr> <td>1 PLC</td><td>± -</td></tr> <tr> <td>2 PLC</td><td>± -</td></tr> <tr> <td>3 PLC</td><td>± -</td></tr> <tr> <td>4 PLC</td><td>± -</td></tr> <tr> <td>ANGLES</td><td>± -</td></tr> </table>		0 PLC	± -	1 PLC	± -	2 PLC	± -	3 PLC	± -	4 PLC	± -	ANGLES	± -	PRODUCT SPEC 108-57876	SIZE A3			
0 PLC	± -																	
1 PLC	± -																	
2 PLC	± -																	
3 PLC	± -																	
4 PLC	± -																	
ANGLES	± -																	
MATERIAL SEE NOTE		FINISH SEE NOTE	APPLICATION SPEC -	WEIGHT 0	CAGE CODE 00779	DRAWING NO 1734100	RESTRICTED TO -											
CUSTOMER DRAWING			SCALE -	SHEET 2 of 6	REV E1													

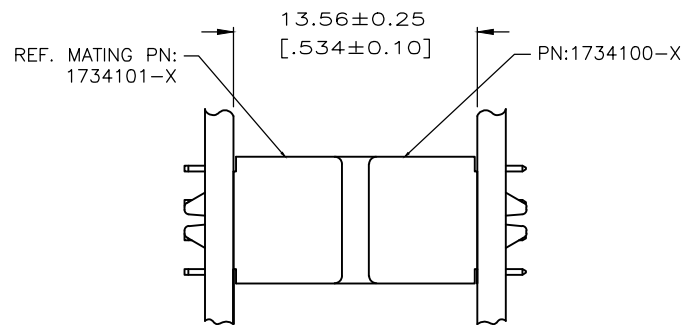
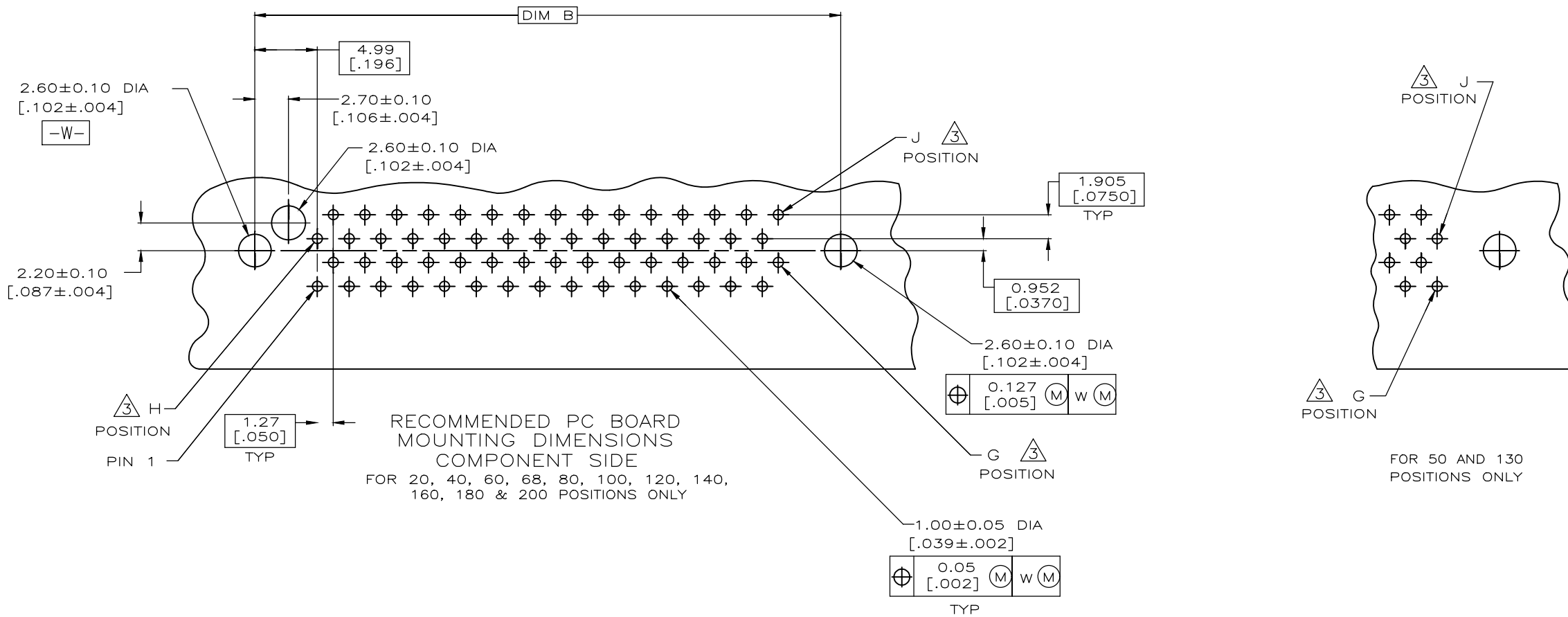
THIS DRAWING IS UNPUBLISHED.

RELEASED FOR PUBLICATION

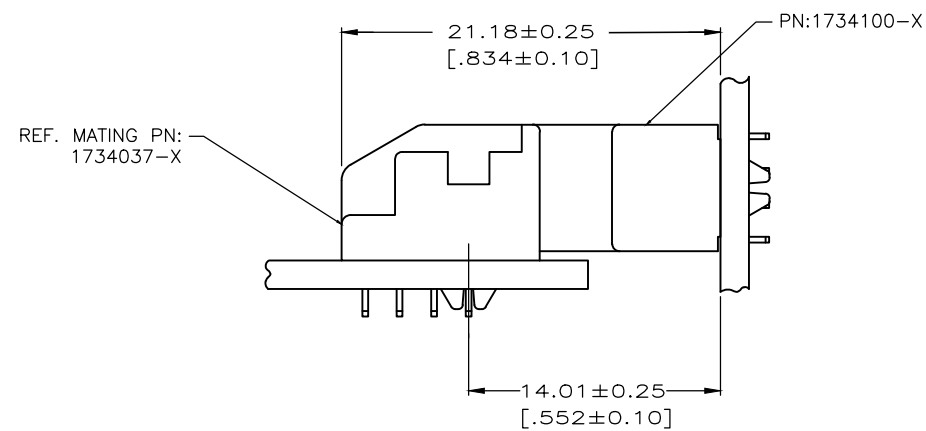
REVISIONS

© COPYRIGHT - By - ALL RIGHTS RESERVED.

P	LTR	DESCRIPTION	DATE	DWN	APVD
-	-	SEE SHEET 1	-	-	-



VERTICAL PLUG ASSEMBLY MATED TO VERTICAL RECEPTACLE ASSEMBLY



VERTICAL PLUG ASSEMBLY MATED TO RIGHT ANGLE RECEPTACLE ASSEMBLY

THIS DRAWING IS A CONTROLLED DOCUMENT.		DWN	-	TE Connectivity Ltd.	
DIMENSIONS: mm		CHK	-		
TOLERANCES UNLESS OTHERWISE SPECIFIED:		APVD	-		
0 PLC ± - 1 PLC ± - 2 PLC ± - 3 PLC ± - 4 PLC ± - ANGLES ± -		PRODUCT SPEC	-		
MATERIAL		FINISH	-	NAME	
				PLUG ASSEMBLY, VERTICAL BOARD-TO-BOARD, CHAMP .050, SERIES I	
				SIZE	CAGE CODE
				A3	00779
				DRAWING NO	RESTRICTED TO
				C-1734100	-
				WEIGHT	SCALE
				-	SHEET 3 of 6
				CUSTOMER DRAWING	REV E1

4

3

2

1

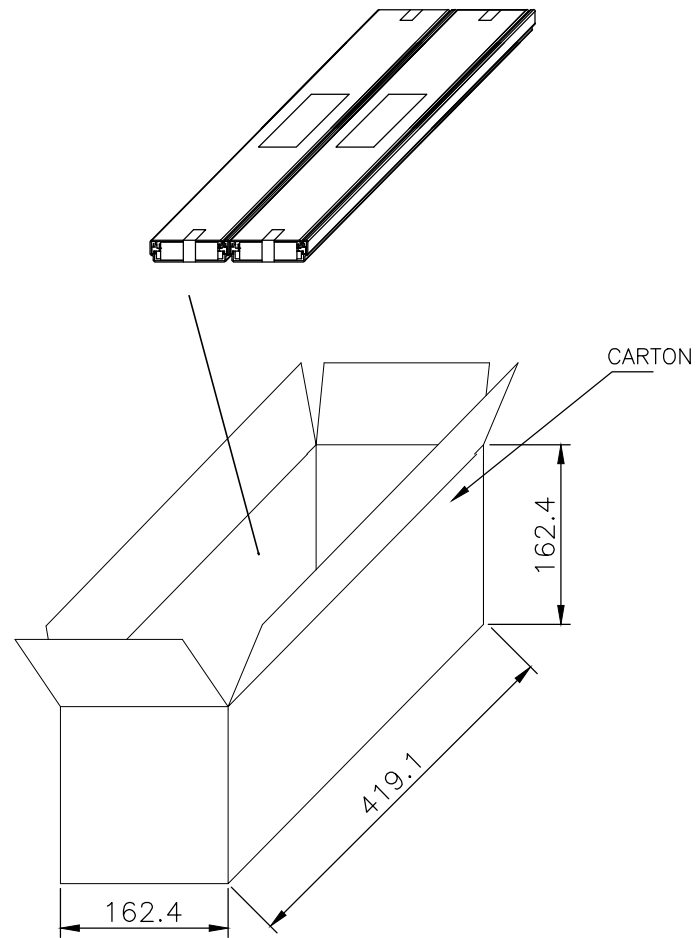
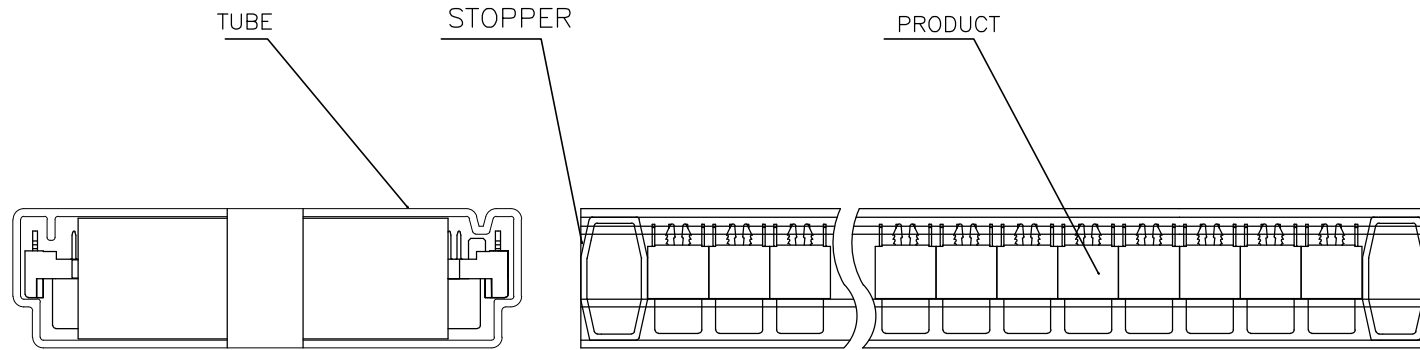
THIS DRAWING IS UNPUBLISHED.

RELEASED FOR PUBLICATION

REVISIONS

© COPYRIGHT - By - ALL RIGHTS RESERVED.

P	LTR	DESCRIPTION	DATE	DWN	APVD
-	-	SEE SHEET 1	-	-	-



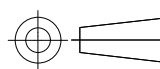
4.88	3.42	54	8	432	5-1734100-2	120
					3-1734100-2	
					1-1734100-2	
7.70	5.58	54	16	864	5-1734100-0	100
					3-1734100-0	
					1-1734100-0	
5.28	3.80	54	16	864	4-1734100-9	80
					2-1734100-9	
					1734100-9	
5.38	3.90	54	16	864	4-1734100-8	68
					2-1734100-8	
					1734100-8	
4.76	3.37	54	16	864	4-1734100-7	60
					2-1734100-7	
					1734100-7	
4.36	3.11	54	16	864	4-1734100-6	50
					2-1734100-6	
					1734100-6	
5.72	4.08	54	24	1296	5-1734100-9	40
					3-1734100-9	
					1-1734100-9	
5.70	4.07	54	24	1296	4-1734100-5	30
					2-1734100-5	
					1734100-5	
4.77	3.50	54	24	1296	4-1734100-4	-
					2-1734100-4	
					1734100-4	
4.46	3.03	54	24	1296	4-1734100-3	-
					2-1734100-3	
					1734100-3	
G.W./CARTON	N.W./CARTON	PCS/TUBE	TUBES/CARTON	QUANTITY/CARTON (PCS)	PART NUMBER	PDS.

Ⓣ OBSOLETE

Ⓣ OBSOLETE

THIS DRAWING IS A CONTROLLED DOCUMENT.

DIMENSIONS: mm



TOLERANCES UNLESS OTHERWISE SPECIFIED:

0 PLC	± -
1 PLC	± -
2 PLC	± -
3 PLC	± -
4 PLC	± -
ANGLES	± -
FINISH	± -

MATERIAL

FINISH

DWN	-
CHK	-
APVD	-
PRODUCT SPEC	-
APPLICATION SPEC	-
WEIGHT	-
CUSTOMER DRAWING	-



PLUG ASSEMBLY, VERTICAL
BOARD-TO-BOARD,
CHAMP .050, SERIES I

SIZE	CAGE CODE	DRAWING NO	RESTRICTED TO
A3	00779	1734100	-

SCALE	SHEET	REV
-	4 OF 6	E1

4

3

2

1

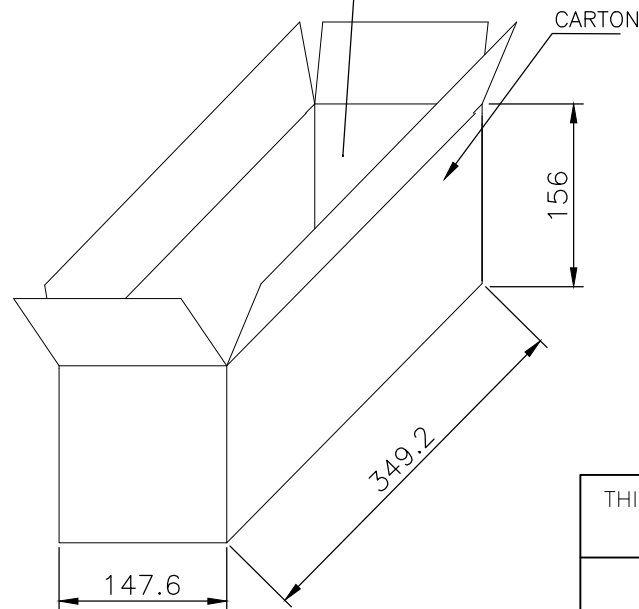
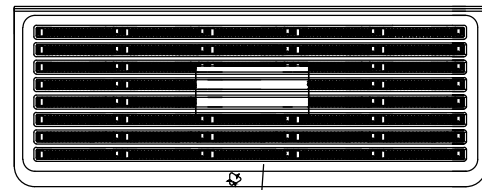
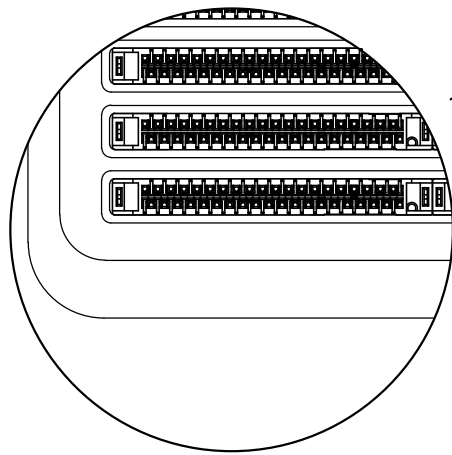
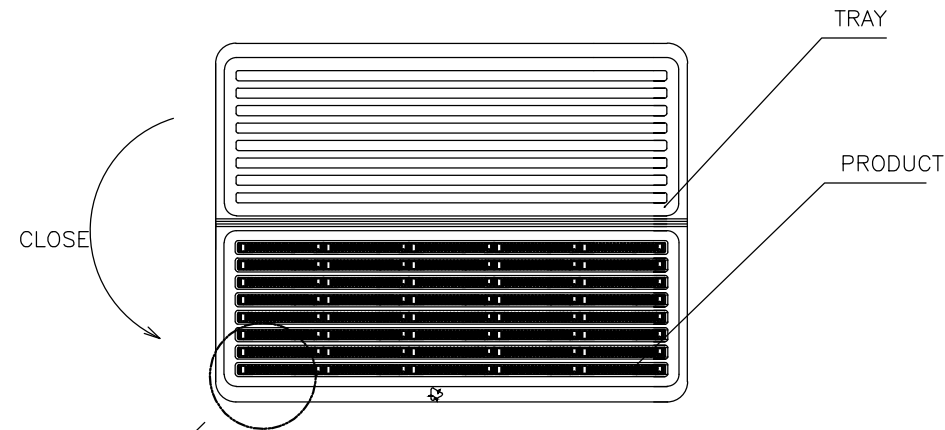
THIS DRAWING IS UNPUBLISHED.

RELEASED FOR PUBLICATION

REVISIONS

© COPYRIGHT - By - ALL RIGHTS RESERVED.

P	LTR	DESCRIPTION	DATE	DWN	APVD
-	-	SEE SHEET 1	-	-	-



ⓓ2 OBSOLETE	2.85	1.97	16	10	160	5-1734100-8	180
						3-1734100-8	
						1-1734100-8	
	2.62	1.73	16	10	160	5-1734100-6	160
						3-1734100-6	
						1-1734100-6	
	G.W./CARTON (KG)	N.W./CARTON (KG)	PCS/TRAY	TRAYS/CARTON	QUANTITY/CARTON (PCS)	PART NUMBER	PDS.

THIS DRAWING IS A CONTROLLED DOCUMENT.

DIMENSIONS:	TOLERANCES UNLESS OTHERWISE SPECIFIED:
mm	0 PLC ± -
	1 PLC ± -
	2 PLC ± -
	3 PLC ± -
	4 PLC ± -
	ANGLES ± -
MATERIAL	FINISH

DWN	-
CHK	-
APVD	-
PRODUCT SPEC	-
APPLICATION SPEC	-
WEIGHT	-
CUSTOMER DRAWING	

STE TE Connectivity Ltd.

PLUG ASSEMBLY, VERTICAL
BOARD-TO-BOARD,
CHAMP .050, SERIES I

SIZE	CAGE CODE	DRAWING NO	RESTRICTED TO
A3	00779	C-1734100	-

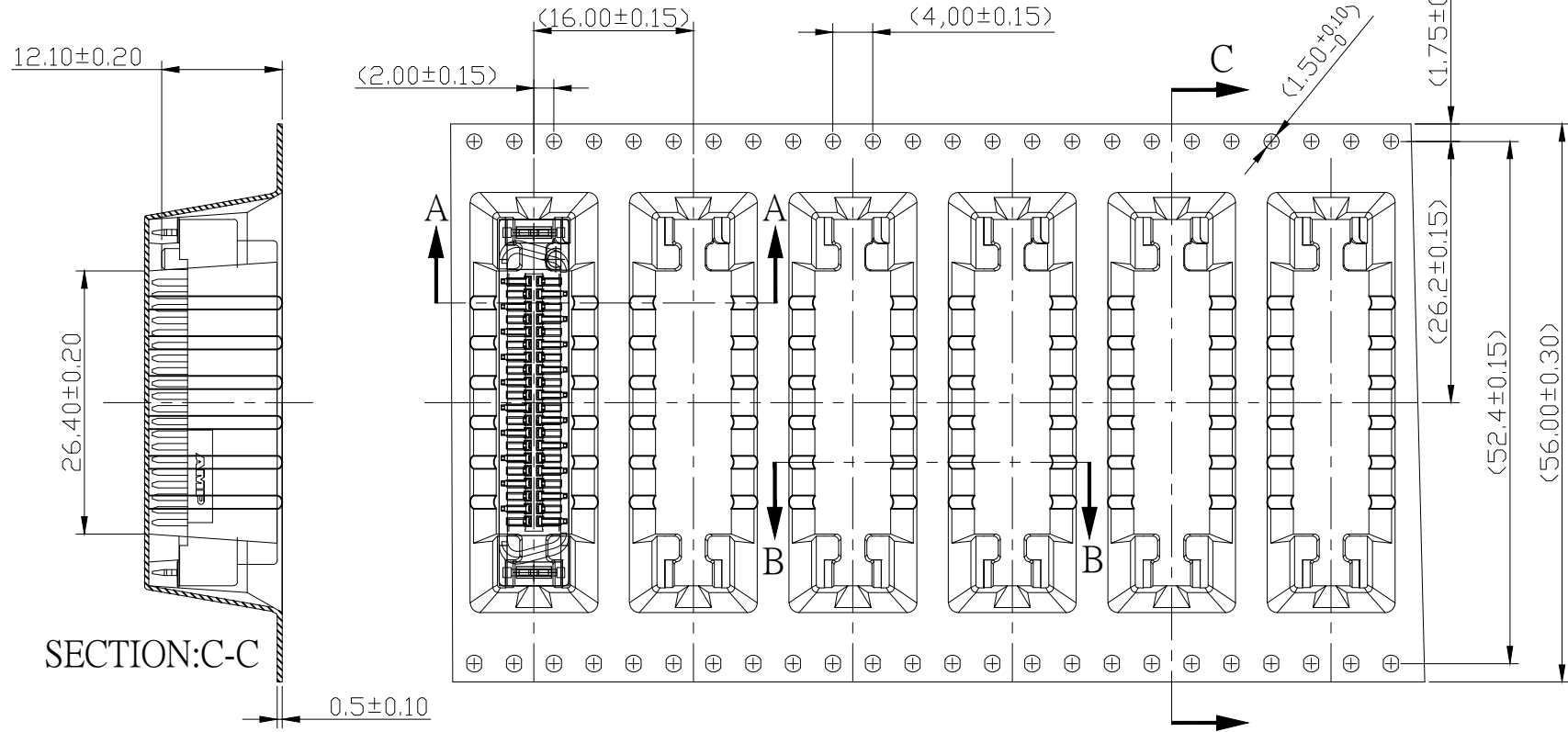
SCALE: - SHEET: 5 of 6 REV: E1

THIS DRAWING IS UNPUBLISHED. RELEASED FOR PUBLICATION

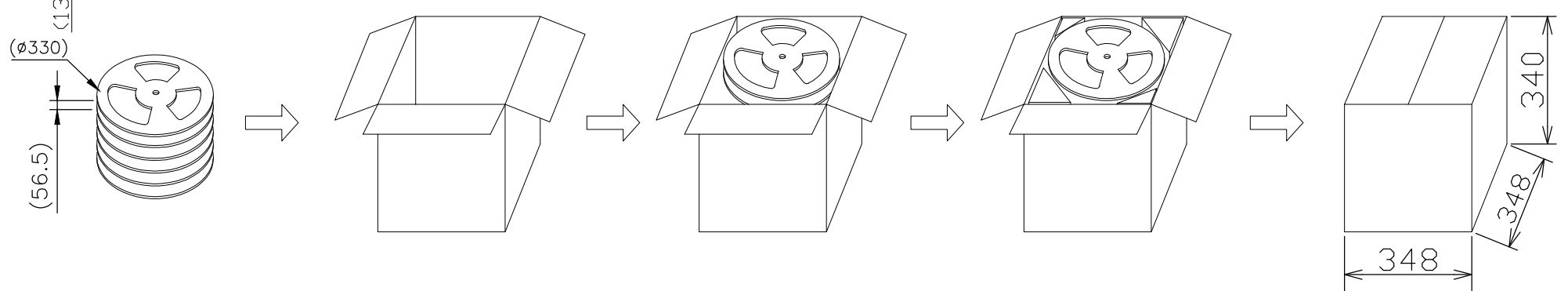
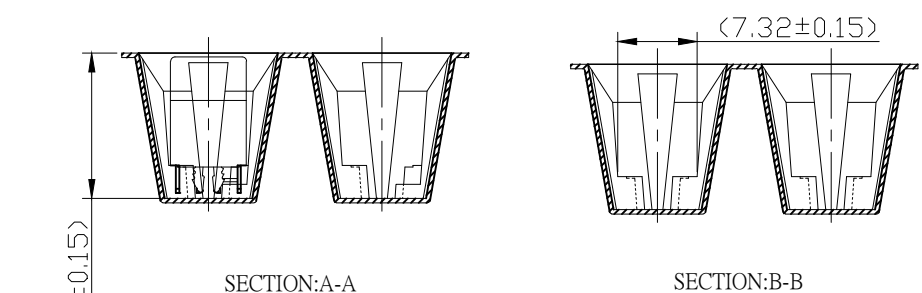
© COPYRIGHT - By - ALL RIGHTS RESERVED.

REVISIONS

P	LTR	DESCRIPTION	DATE	DWN	APVD
-	-	SEE SHEET 1	-	-	-



SECTION:C-C



THIS DRAWING IS A CONTROLLED DOCUMENT.		DWN	-	STE TE Connectivity Ltd.		
DIMENSIONS: mm		CHK	-			
TOLERANCES UNLESS OTHERWISE SPECIFIED:		APVD	-	NAME		
0 PLC ± -		PRODUCT SPEC	-	PLUG ASSEMBLY, VERTICAL BOARD-TO-BOARD, CHAMP .050, SERIES I		
1 PLC ± -		APPLICATION SPEC	-	SIZE	CAGE CODE	DRAWING NO
2 PLC ± -		WEIGHT	0	A3	00779	C-1734100
3 PLC ± -		CUSTOMER DRAWING		SCALE	SHEET	REV
4 PLC ± -				-	6 of 6	E1
ANGLES ± -				RESTRICTED TO		
FINISH				-		

7.3	3.5	200	5	1000	5-1734100-4	40
G.W./CARTON (KG)	N.W./CARTON (KG)	PCS/REEL	REEL/CARTON	QUANTITY/CARTON (PCS)	PART NUMBER	POS.

Mouser Electronics

Authorized Distributor

Click to View Pricing, Inventory, Delivery & Lifecycle Information:

[TE Connectivity:](#)

[1734100-5](#)