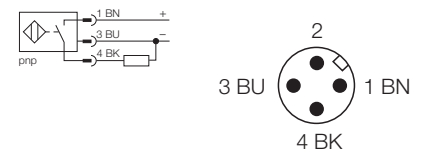


- threaded barrel, M8 x 1
- stainless steel, 1.4404
- Factor 1 for all metals
- Degree of protection IP68
- Magnetic field immune
- high switching distance
- High switching frequency
- integrated predamping protection
- small metal-free zones
- DC 3-wire, 10...30 VDC
- NO contact, PNP output
- Male connector, M12 x 1

<b>Type</b>	NI6U-EG08-AP6X-H1341
Ident-No.	4635802
<b>Rated operating distance Sn</b>	6 mm
Mounting condition	non-flush
Assured sensing range	≤ (0,81 x Sn) mm
Repeatability	≤ 2 %
Temperature drift	≤ ± 10 %
Hysteresis	3... 15 %
Ambient temperature	0...+ 70°C
<b>Operating voltage</b>	10... 30 VDC
Residual ripple	≤ 10 % U <sub>SS</sub>
DC rated operational current	≤ 150 mA
No-load current I <sub>0</sub>	≤ 15 mA
Residual current	≤ 0.1 mA
Rated insulation voltage	≤ 0.5 kV
Short-circuit protection	yes / cyclic
Voltage drop at I <sub>e</sub>	≤ 1.8 V
Wire breakage / Reverse polarity protection	yes / complete
Output function	3-wire, NO contact, PNP
Protection class	□
Switching frequency	≤ 1kHz
<b>Housing</b>	threaded barrel, M8 x 1
Dimensions	57mm
Housing material	Metal, V2A (1.4301)
Material active face	Plastic, plastic, PA12-GF20
Tightening torque of housing nut	10 Nm
Electrical connection	Connectors, M12 x 1
Vibration resistance	55 Hz (1 mm)
Shock resistance	30g (11 ms)
Protection class	IP68
<b>Switching state</b>	LED yellow

### Wiring diagram



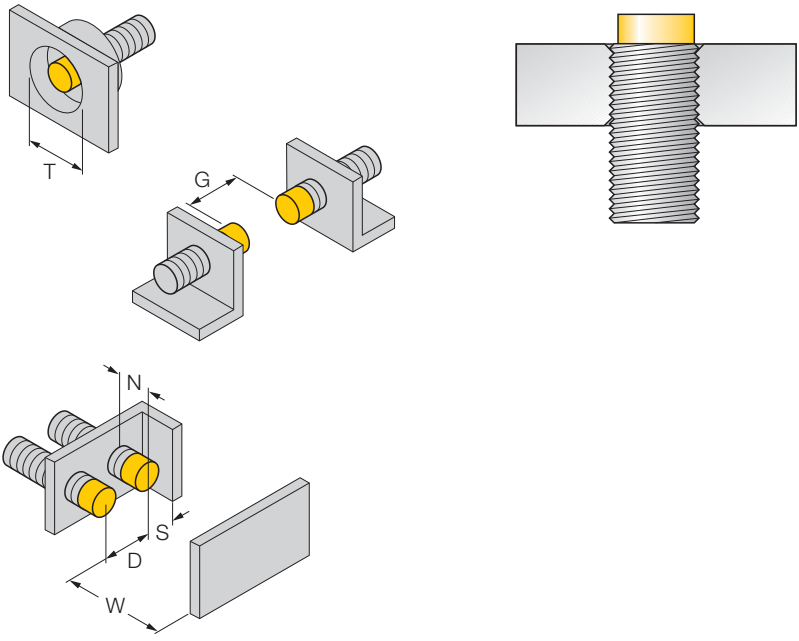
### Functional principle

Inductive sensors detect metal objects contactless and wear-free. uprox+ sensors have considerable advantages due to their patented multi-coil system. They excel in highest switching distances, maximum flexibility and operational reliability as well as efficient standardization.

Mounting instructions	minimum distances
Distance D	32 mm
Distance W	18 mm
Distance T	32 mm
Distance S	12 mm
Distance G	36 mm
Distance N	12 mm

---

**Diameter of the active area B**                       $\varnothing$  8 mm



All non-flush mountable uprox<sup>®</sup>+ threaded barrel sensors can be screwed to the upper edge of the barrel. Thus safe operation is guaranteed with a reduced switching distance of max. 20 %.

**Accessories**

Type code	Ident-No.	Short text	Dimension drawing
BST-08B	6947210	Fixing clamp with dead-stop; material: PA6	
MW-08	6945008	Mounting bracket; material: Stainless steel A2 1.4301 (AISI 304)	
BSS-08	6901322	Fixing clamp; material: Polypropylene	