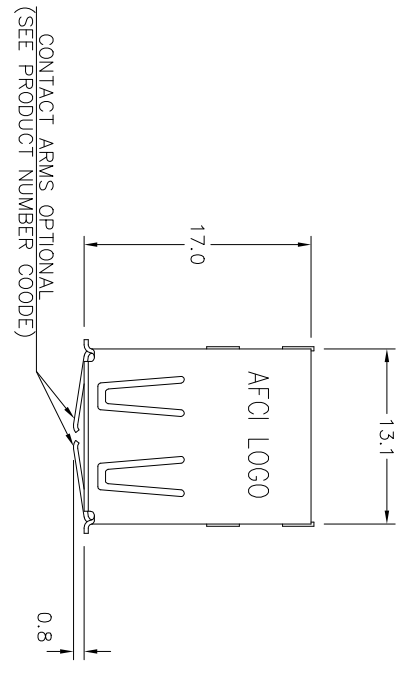


RECOMMENDED PCB DIMENSIONS

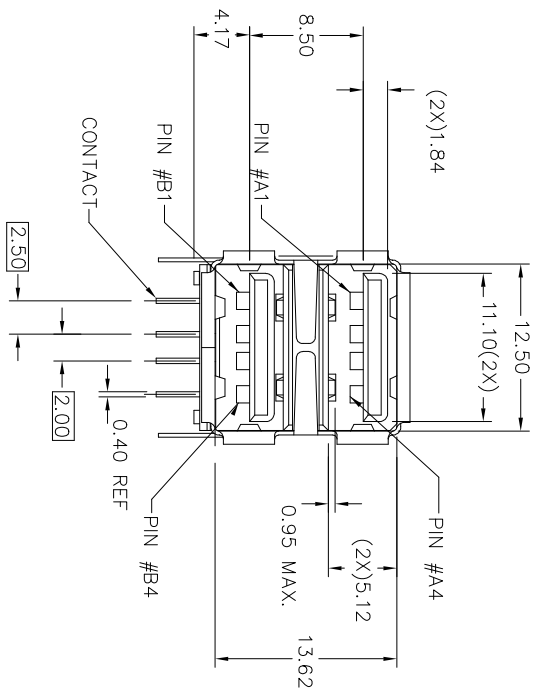
NOTES:

1. MATERIAL:
CONTACTS—COPPER ALLOY
SHELL—COPPER ALLOY
HOUSING—UL 94-V-0 RATED THERMOPLASTIC.
2. PLATING:
CONTACTS: SEE PRODUCT NUMBER CODE;
SHELL: SEE PRODUCT NUMBER CODE.
- ③ DATUM AND BASIC DIMENSIONS ESTABLISHED BY CUSTOMER.
4. RECOMMENDED PC BOARD THICKNESS OF 1.57mm.
5. P/N SEE PRODUCT NUMBER CODE.
(TO BE CONTINUED)

mat'l. code	surface	tolerance	projection	product family
ltr	ISO 1302	ISO 406	ISO 1101	USB HPL511
ecn no	dr	date	tolerances unless otherwise specified	title
AK	EX-N-26365	LZ 2017/03/17	0±.3	UNIV. SERIAL BUS
AL	EX-N-33725	YY 2019/05/29	0±.20	DOUBLE DECK RECEPTACLE
			0±.3	scale 1:1
AF	N08-0133	HB 05/17/06/dr	Yuan-Yuan Bao/2019/05/29	dwg no
AG	N08-0198	RB 2008/09/10/eng	Yuan-Yuan Bao/2019/05/29	sheet 1 of 4
AH	N08-0238	RB 2008/11/01/chr	LQ Lei 2019/05/29	72309
AJ	EX-N-00654A.ZH	2011/07/26/ppd	Tim Yao 2019/05/29	Amphenol FCI
sheet	revision	AL		type
index	sheet	1~4		Product Customer Drawing

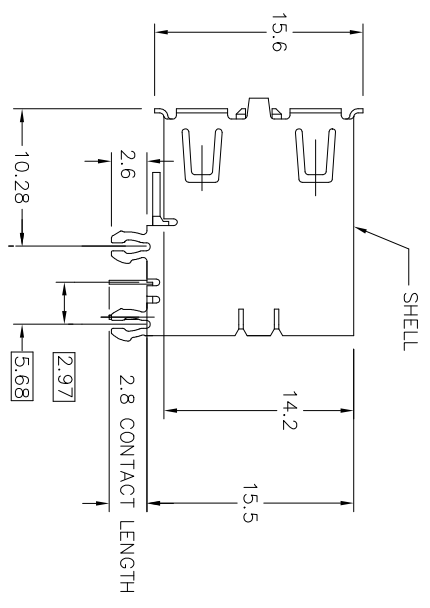


CONTACT ARMS OPTIONAL
(SEE PRODUCT NUMBER CODE)

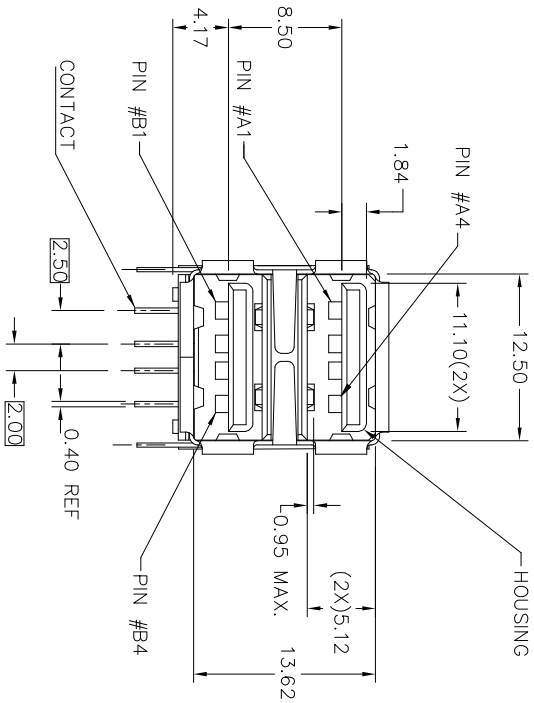
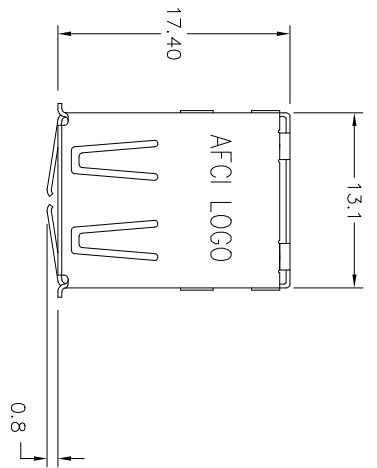


ASSEMBLY WITHOUT BACK SHIELD
72309-XX3XX SHOWN

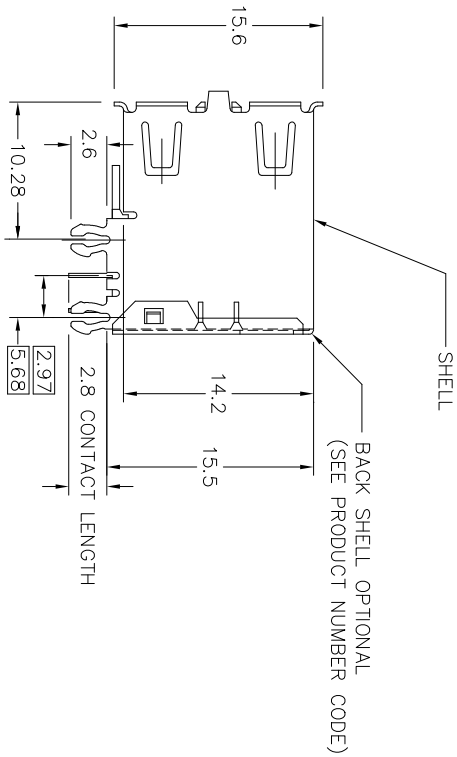
- (CONTINUED)
- FOR LEAD FREE P/N, A LEAD FREE LABEL WILL APPEAR AT PACKING.
 - FOR LEAD FREE P/N, THE HOUSING WILL WITHSTAND EXPOSURE TO 260°C PEAK TEMPERATURE FOR 40 SECONDS IN A CONNECTION, INFRA-RED OR VAPOR PHASE REFLOW OVEN.
 - FOR LEAD FREE P/N, THE PRODUCT MEET EUROPEAN UNION DIRECTIVES AND OTHER COUNTRY REGULATION AS DESCRIBED IN GS-22-008
 - PACKAGING SPECIFICATION PER GS-14-393.
 - PRODUCT SPECIFICATION PER GS-12-095.



mat'l. code	surface	tolerance	projection	product family
	ISO 1302	ISO 406 ISO	1109	USB HPL511
tr ecn no dr date	tolerances unless otherwise specified		scale 1:1	title
AL	angles	.0±.3	mm	UNIV. SERIAL BUS
	lineof	.00±.20		DOUBLE DECK RECEPTACLE
	0±.3	.000±.10		dwg no
	dr	Yuan-Yuan Bao/2019/05/29		72309
	eng/Yuan-Yuan Bao/2019/05/29			sheet 2 of 4
	chr	LQ Lei		size
	qppd	Tim Yao		A3
sheet revision AL				type Product Customer Drawing
index sheet 1~4				



ASSEMBLY WITH BACK SHIELD
72309 - XX4XX SHOWN



mat'l. code	surface	tolerance	projection	product family
	ISO 1302	ISO 406 ISO	110°	USB HPL511
tr ecn no dr	date	tolerances unless otherwise specified	mm	title
AK1		angles: linear .00±.20	scale 1:1	UNIV. SERIAL BUS DOUBLE DECK RECEPTACLE
		0±.3		dwg no 72309
		0±.3		sheet 3 of 4
	dr Yuan-Yuan Bao/2019/05/29			size A3
	eng Yuan-Yuan Bao/2019/05/29			
	chr LQ Lei/2019/05/29			
	qppd Tim Yoo/2019/05/29			
sheet revision AL				
index sheet 1~4				

PRODUCT NUMBER CODE

72309 -

X

X

X

X

X

P

S

LF

NOTE:

AVAILABLE P/N'S IN FCI NOW FOLLOWED:

- 72309-0010X/8014XLF 72309-2010X/2014XLF
- 72309-0012X/8013XLF 72309-2012X/2013XLF
- 72309-0020X/8024XLF 72309-2020X/2024XLF
- 72309-0022X/8023XLF 72309-2022X/2023XLF
- 72309-0030X/8034XLF 72309-2030X/2034XLF
- 72309-0032X/8033XLF 72309-2032X/2033XLF
- 72309-0040X/8044XLF 72309-2040X/2044XLF
- 72309-0042X/8043XLF 72309-2042X/2043XLF
- 72309-1010X/7014XLF 72309-3010X/3014XLF
- 72309-1012X/7013XLF 72309-3012X/3013XLF
- 72309-1020X/7024XLF 72309-3020X/3024XLF
- 72309-1022X/7023XLF 72309-3022X/3023XLF
- 72309-1030X/7034XLF 72309-3030X/3034XLF
- 72309-1032X/7033XLF 72309-3032X/3033XLF
- 72309-1040X/7044XLF 72309-3040X/3044XLF
- 72309-1042X/7043XLF 72309-3042X/3043XLF
- 72309-0110X/8114XLF 72309-4040X/4044XLF
- 72309-0112X/8113XLF 72309-5012X/5013XLF
- 72309-0120X/8124XLF 72309-5030X/5034XLF
- 72309-0122X/8123XLF 72309-5040X/5044XLF/5044XSLF
- 72309-0130X/8134XLF 72309-5140X/5144XLF
- 72309-0132X/8133XLF 72309-6220X/9224XLF
- 72309-0140X/8144XLF 72309-4034XLF
- 72309-0142X/8143XLF 72309-3015XLF
- 72309-1110X/7114XLF 72309-3045XLF
- 72309-1112X/7113XLF 72309-5034XPLF
- 72309-1120X/7124XLF
- 72309-1122X/7123XLF
- 72309-1130X/7134XLF
- 72309-1132X/7133XLF
- 72309-1140X/7144XLF
- 72309-1142X/7143XLF

SHELL PLATING OPTION

- 0 - BARREL-PLATING
- 1 - PRE-PLATING

SHELL OPTIONS

- 1 - NO BACK SHIELD, NO ARMS, FRONT GROUNDING ARMS
- 2 - BACK SHIELD, NO FRONT GROUNDING ARMS
- 3 - NO BACK SHIELD, FRONT GROUNDING ARMS
- 4 - BACK SHIELD, FRONT GROUNDING ARMS

TERMINAL OPTION

- 3 - 50u" NI UNDERPLATE,30u" GXT CONTACT AREA,100u" MATTE TIN TAIL AREA
2.80mm TAIL LENGTH
- 4 - 50u" NI UNDERPLATE,30u" GXT CONTACT AREA,100u" MATTE TIN TAIL AREA
2.80mm TAIL LENGTH
- 5 - 50u" NI UNDERPLATE,30u" GOLD CONTACT AREA,100u" MATTE TIN TAIL AREA
3.94mm TAIL LENGTH

PACKAGING OPTIONS

- B - TUBES
- R - TAPE & REEL
- Q - SPECIAL TUBES (LENGTH 600MM MAX)
- △ S - SPECIAL TAPE & REEL (REEL'S DIAMETER IS 380MM)

WITH DATE CODE

ONLY FOR PANASONIC

LEAD FREE MARK

- LEAD FREE CONVERSION RULES -
- HOUSING COLOR AND SHELL PLATING OPTION: 0 TO 8, 1 TO 7, 6 TO 9
- TERMINAL PLATING OPTION: 0 TO 4, 2 TO 3
- SPECIFIC SHELL MATERIAL FOR 12K CYCLES DURABILITY,
PART NUMBER: 72309-S033XPLF/-S034XPLF

mat'l. code	surfc	ISO 1302	tolerances unless otherwise specified	ISO 406	ISO 1101	projection	product family
AL	ISO 1302	tolerances unless otherwise specified	ISO 406	ISO 1101	projection	USB HPL511	
	ecn no	dr	date	angles	linear	scale	1:1
	dr	Yuan-Yuan Bao	2019/05/29	0±.3	.00±.10	mm	
	eng	Yuan-Yuan Bao	2019/05/29				
	chr	LQ Lei	2019/05/29				
	qppd	Tim Yoo	2019/05/29				
sheet index	revision	AL					
	sheet	1-4					
	dwg no						
	72309						
	sheet 4 of 4						
	A3						
	type	Product Customer Drawing					
	title	UNIV. SERIAL BUS DOUBLE DECK RECEPTACLE					