

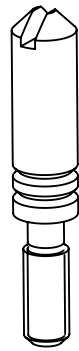
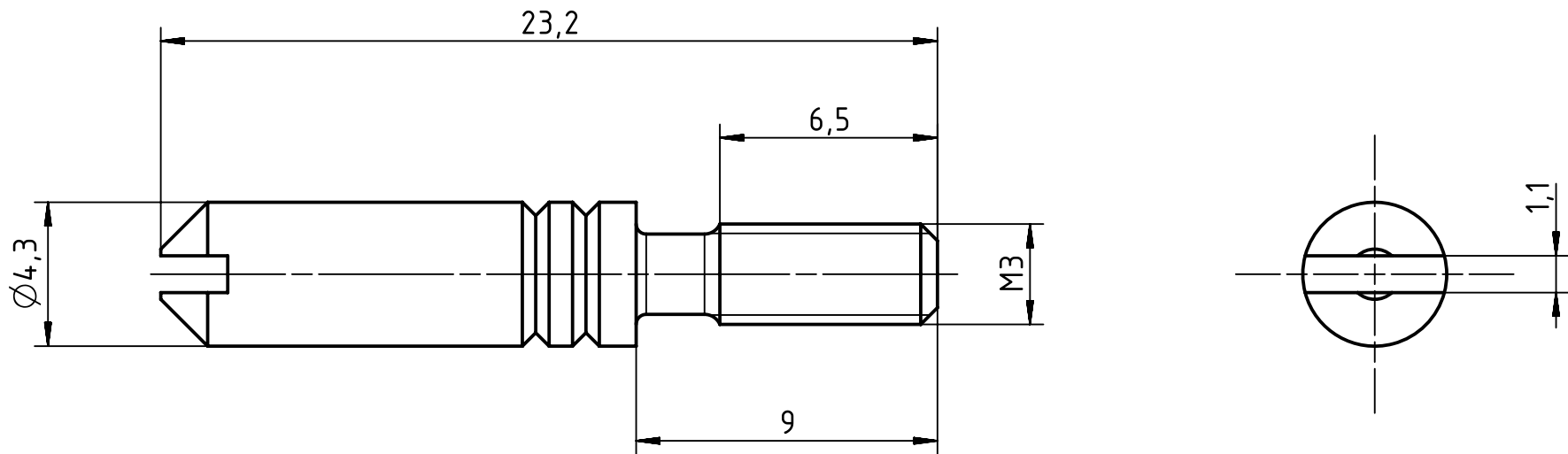
1                      2                      3                      4                      5                      6

A

B

C

D



	All Dimensions in mm Original Size DIN A4		Scale 5:1	Free size tol.		Ref.
						Sub.
	All rights reserved Department EL PD - DE		Created by GERB	Inspected by MOOR	Standardisation TIEMANNA	Date 2015-04-20
	HARTING Electric GmbH & Co. KG D-32339 Espelkamp		Title Han Modular guide pin			State Final Release
			Type TB	Number 09 14 000 9981		Doc-Key / ECM-Nr. 100547753/UGD/001/C 500000088419
					Rev. C	Page 1/1

# Mouser Electronics

Authorized Distributor

Click to View Pricing, Inventory, Delivery & Lifecycle Information:

[HARTING:](#)

[09140009981](#)