

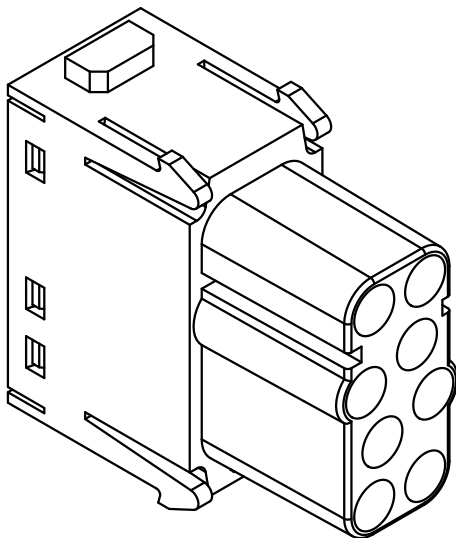
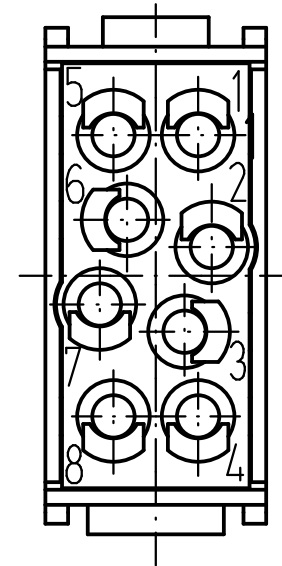
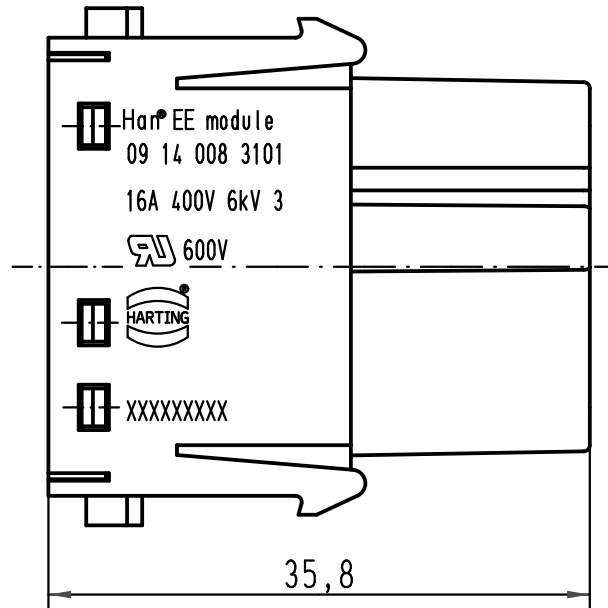
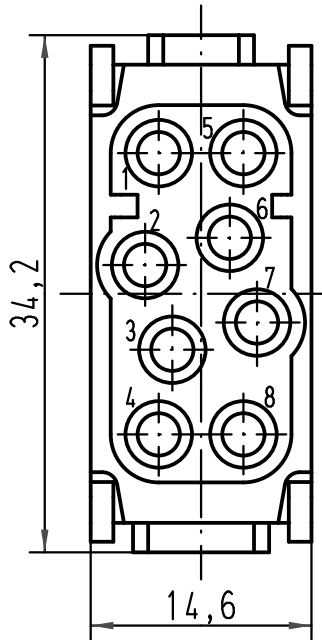
1 2 3 4 5 6

A

B

C

D



	All Dimensions in mm Original Size DIN A 4			Techn. Character.			Nicht tolerierte Maß/Free size tolerances			
					Dat.	Name	Maßstab/Scale 2:1	Han EE module Buchseneinsatz/ <i>female insert</i>		
			Detail.	10.10.08	Rull					
			Insp.		Be					
			Stand.							
A			HARTING Electric GmbH & Co. KG D-32339 Espelkamp				TB 09 14 008 3101			Blatt/page
Mod.	Dat.	Name					Sub. TB 09 14 008 3101 v. 03.02.00			

Mouser Electronics

Authorized Distributor

Click to View Pricing, Inventory, Delivery & Lifecycle Information:

[HARTING:](#)

[09140083101](#)