

o-ring  
 Ø20x1,5

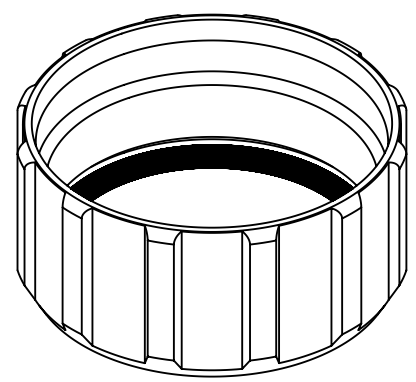
Ø26,2

M23x1

Ø23,3

11

12



	All Dimensions in mm Original Size DIN A4		Scale 2:1	Free size tol.		Ref.		
						Sub.		
	All rights reserved		Created by KLASSEN P	Inspected by RIEPE	Standardisation RUETERA	Date 2017-02-07	State Final Release	
	Department EL PD - DE		Title Han M23 Metal Screw Cover - no Chain				Doc-Key / ECM-Nr. 100704791/UGD/001/A 500000114859	
HARTING Electric GmbH & Co. KG D-32339 Espelkamp			Type TB	Number 09 15 100 9101			Rev. A	Page 1/1

# Mouser Electronics

Authorized Distributor

Click to View Pricing, Inventory, Delivery & Lifecycle Information:

[HARTING:](#)

[09151009101](#)