

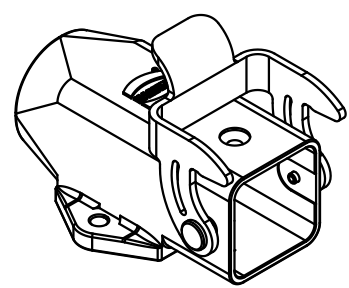
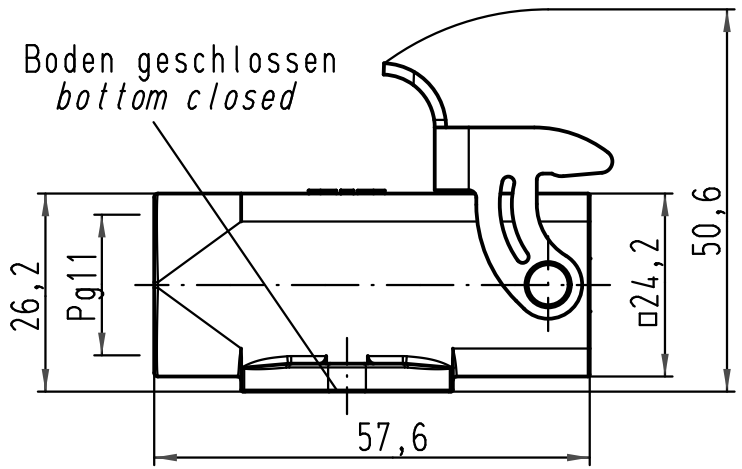
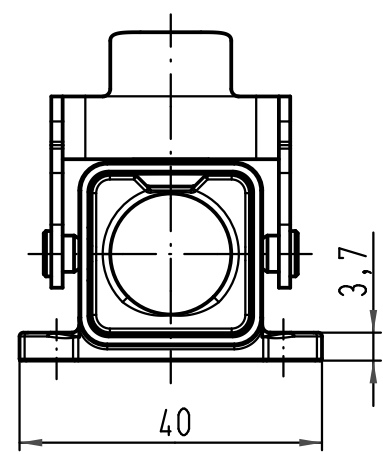
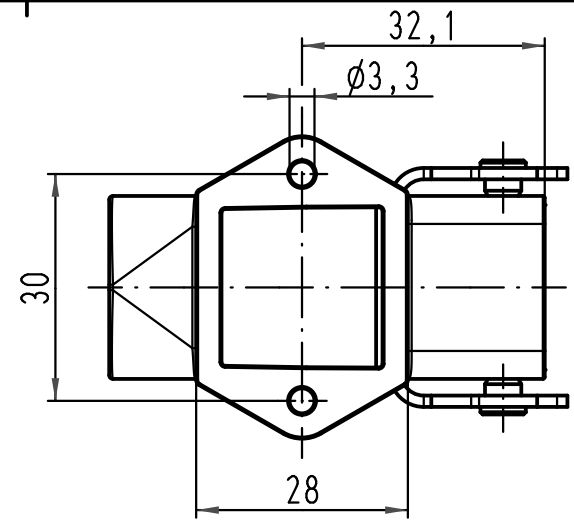
1 2 3 4 5 6

A

B

C

D



All Dimensions in mm Original Size DIN A 4			Techn. Character.			Nicht tolerierte Maß/Free size tolerances		
				Dat.	Name	Maßstab/Scale 1:1	Han 3A-asgw-QB-Pg11 Sockelgehäuse-Metall-grau <i>housing surface mounting-metal-grey</i>	
			Detail.	10.06.10	Ho			
			Insp.		Grie			
			Stand.					
A			HARTING Electric GmbH & Co. KG				TB 09 20 003 1252	
Mod.	Dat.	Name	D-32339 Espelkamp					

Mouser Electronics

Authorized Distributor

Click to View Pricing, Inventory, Delivery & Lifecycle Information:

[HARTING:](#)

[09200031252](#)