

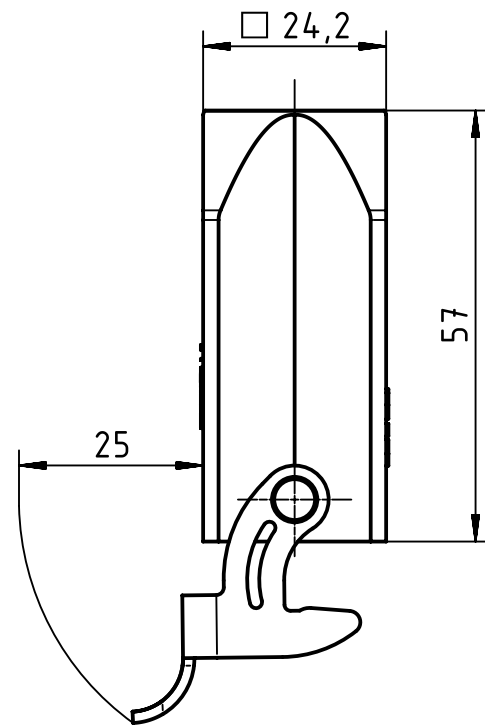
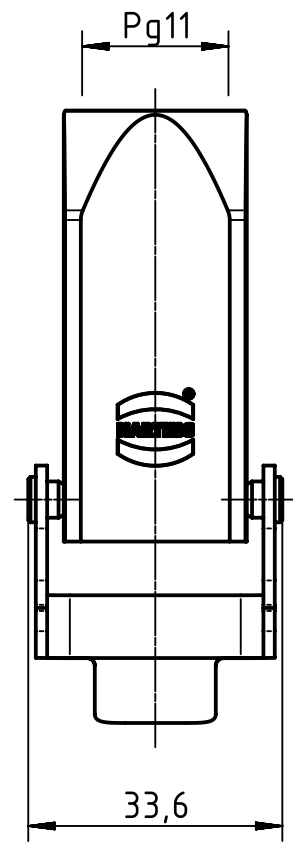
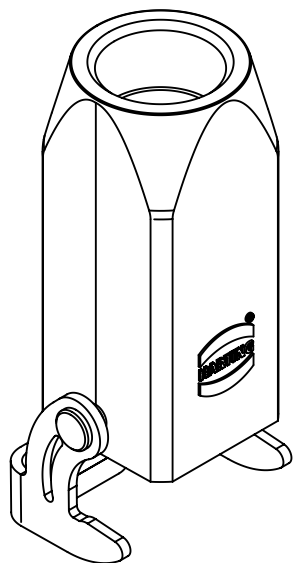
1 2 3 4 5 6


A

B

C

D



	All rights reserved Department EL PD - DE	Created by SPRENB		Inspected by BERGHORN		Standardisation TIEMANNA		Date 2013-06-13		State Final Release	
		Title Han A Hood Coupler 1 Lever PG 11								Doc-Key / ECM-Nr. 100540611/UGD/001/A 500000060959	
HARTING Electric GmbH & Co. KG D-32339 Espelkamp		Type TB		Number 09 20 003 1750				Rev. A		Page 1/1	

Mouser Electronics

Authorized Distributor

Click to View Pricing, Inventory, Delivery & Lifecycle Information:

[HARTING:](#)

[09200031750](#)