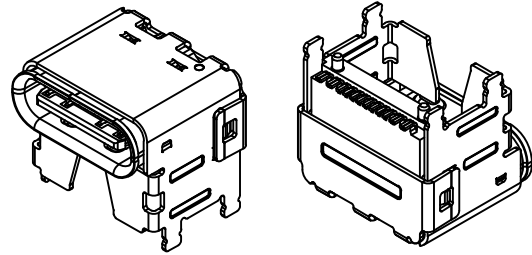
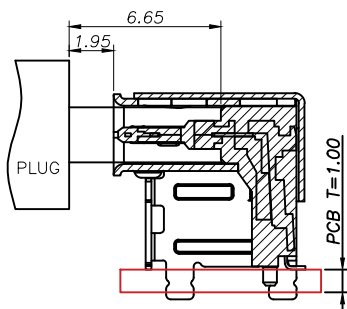
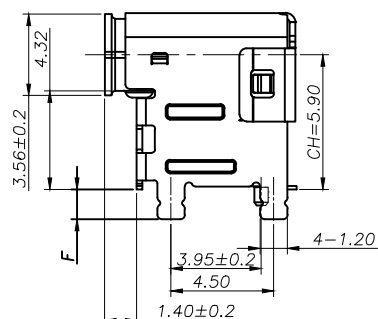


RECOMMENDED PCB LAYOUT(TOP VIEW)
THICKNESS 1.00MM;DEFAULT TOLERANCE:±0.05



NOTE:
 1.MATERIAL SPECIFICATION:
 1.HOUSING:HIGH TEMPERATURE RESISTANT PLASTIC,UL94 V-0.
 2.CONTACTS:COPPER ALLOY
 2.INSIDE SHELL:STAINLESS STEEL
 4.OUTSIDE SHELL: STAINLESS STEEL
 2.MECHANICAL PERFORMANCE,
 2-1.INSERTION FORCE: 0.5~2.0kgf.
 2-2.REMOVAL FORCE: 0.8kgf~2.0kgf.
 2-3.DURABILITY: 10000 CYCLES.
 3.ELECTRICAL PERFORMANCE,
 3-1. CURRENT RATING:5/3A
 VOLTAGE RATING:20V
 3-2. LLCR:
 VBUS & GND PINS AND OTHER PINS: 40mΩ/PIN MAX.
 SHIELD: 50mΩ/MAX.
 LLCR MAX. CHANGE OF ALL PINS: 10mΩ.
 3-3.INSULATION RESISTANCE: 100MΩ MIN
 3-4.DIELECTRIC WITHSTAND VOLTAGE,AC 100V FOR 1 MINUTE.
 4. ENVIRONMENTAL PERFORMANCE:
 OPERATING TEMPERATURE: -25°C~+85°C.
 5.IR REFLOW:
 THE PEAK TEMPERATURE ON THE BOARD SHALL
 BE MAINTAINED FOR 10 SECONDS AT 260°C.

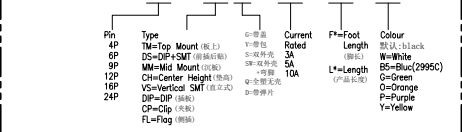
USB TYPE-C PIN ASSIGNMENTS

PIN NUMBER	SIGNAL NAME	PIN NUMBER	SIGNAL NAME
A1	GND	B12	GND
A4	VBUS	B9	VBUS
A5	CC1	B8	SBU2
A6	Dp1	B7	Dn2
A7	Dn1	B6	Dp2
A8	SBU1	B5	CC2
A9	VBUS	B4	VBUS
A12	GND	B1	GND

P/N	(F) 脚长	COLOER	额定电流
HC-TYPE C-16P-CH5.90-3A-F1.3-02	1.30mm	黑色	3A
HC-TYPE C-16P-CH5.90-3A-F1.3-G-02	1.30mm	G:绿色	3A
HC-TYPE C-16P-CH5.90-3A-F1.3-Y-02	1.30mm	Y:黄色	3A

Ordering Information

HC-TYPE C - 16P - * * * - *A - F* - * - 02

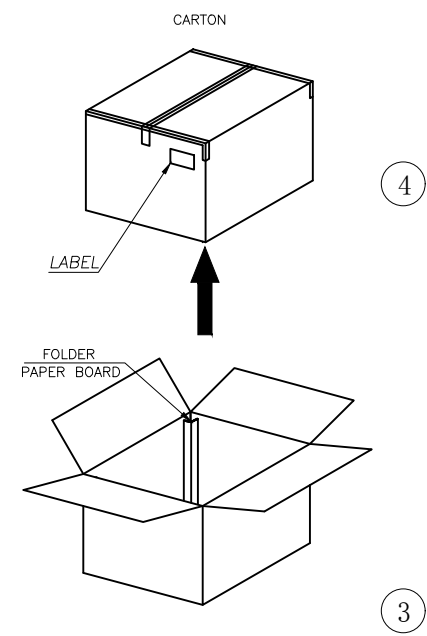
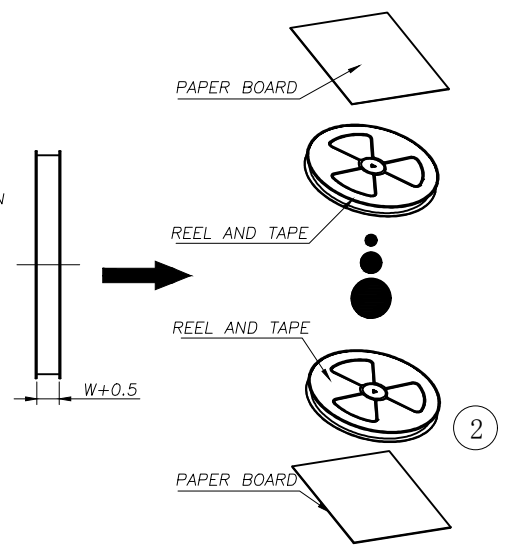
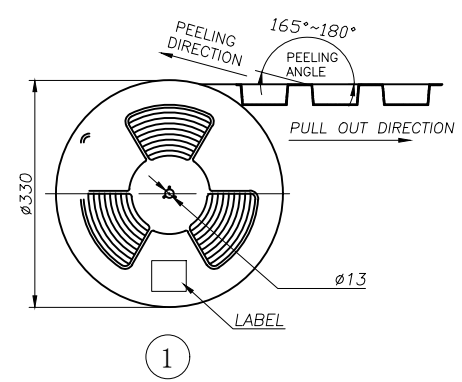
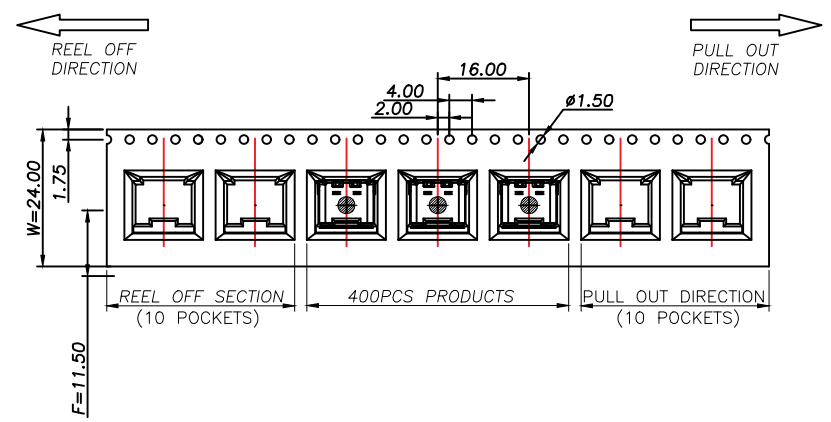


GENREL TOLERANCE		制图	审核
DIM	TOL	CHECK	
X.X	±0.30	批准	
X.XX	±0.20	APPROVAL	
X.XXX	±0.10	比例	
Angle	±3.0°	投影	

深圳市华灿天禄电子有限公司
ShenzhenhuacantianluELECTRONICS CO.,LTD

产品名称	TYPE CF 16P 垫高4.30	版本	A
TITLE	CH=5.90mm 脚长1.3 无弹带柱	REV.	
产品料号	HC-TYPE-C-16P-CH5.90-XA-F1.3-X-02	单位	mm
PART NO.		页次	1/2
材料		SHEET	

pcs/box	boxes/Carton	Pcs/Box
400	10	4000



			GENREL TOLERANCE		制图 DRAWING		深圳市华灿天禄电子有限公司 ShenzhenhuacantianluELECTRONICS CO.,LTD				
			DIM	TOL	审核 CHECK		产品名称 TITLE		TYPE CF 16P 垫高4.30	版本 REV.	A
			X.X	± 0.30	批准 APPROVAL		产品料号 PART NO.		CH=5.90mm 脚长1.3 无弹带柱-包装图	单位 UNITS	mm
			X.XX	± 0.20	比例 SCALE		投影 Projection		HC-TYPE C-16P-CH5.90-XA-F1.3-X-02	页次 SHEET	1/2
			X.XXX	± 0.10	材料 MATERIAL						
序号 No.	变更内容 MODIFY CONTENT	日期 MODIFY DATE	Angle		$\pm 3.0^{\circ}$						