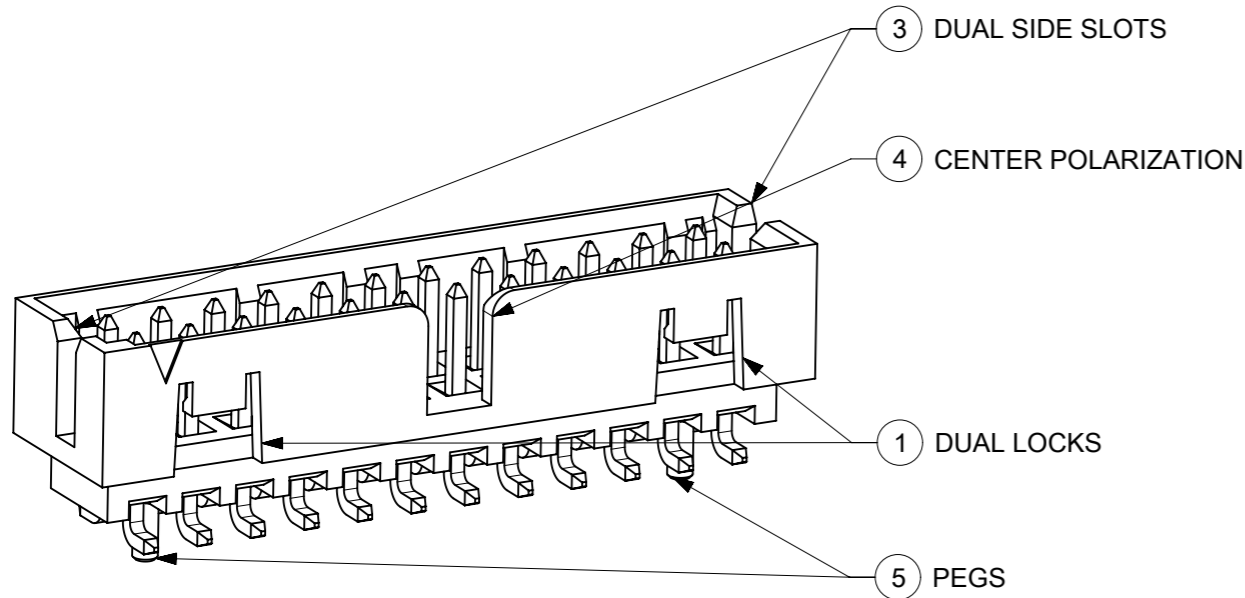


FEATURES SELECTION GUIDE



2 CENTER LOCK



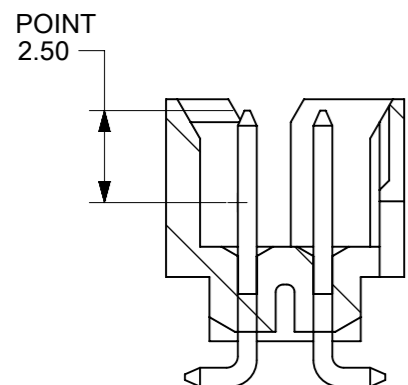
3 DUAL SIDE SLOTS

4 CENTER POLARIZATION

1 DUAL LOCKS

5 PEGS

PLATING MEASUREMENT



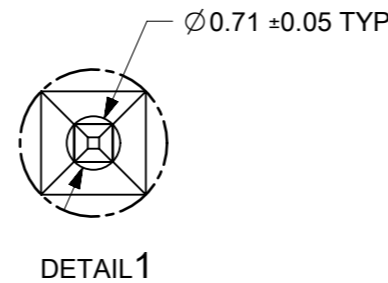
| CIRCUIT SIZE | FEATURES | | | | | SHEET NO |
|--------------|----------------|----------|-----------------|---------------------|------|----------|
| | FRICTION LOCKS | | DUAL SIDE SLOTS | CENTER POLARIZATION | PEGS | |
| | 1 DUAL | 2 CENTER | | | | |
| 4 | N.A | N.A | YES | N.A | N.A | 2 - 3 |
| | N.A | YES | YES | N.A | N.A | |
| 6 | N.A | N.A | YES | N.A | N.A | 4 - 5 |
| | N.A | N.A | YES | N.A | YES | |
| | N.A | N.A | YES | YES | N.A | |
| | N.A | YES | YES | N.A | N.A | |
| | N.A | YES | YES | N.A | YES | |
| 8 TO 12 | N.A | N.A | YES | YES | YES | 6 - 7 |
| | N.A | N.A | YES | YES | N.A | |
| | N.A | YES | YES | N.A | YES | |
| 14 TO 50 | YES | N.A | YES | YES | N.A | 8 - 11 |
| | YES | N.A | YES | YES | YES | |

THIS DRAWING CONTAINS INFORMATION THAT IS PROPRIETARY TO MOLEX ELECTRONIC TECHNOLOGIES, LLC AND SHOULD NOT BE USED WITHOUT WRITTEN PERMISSION

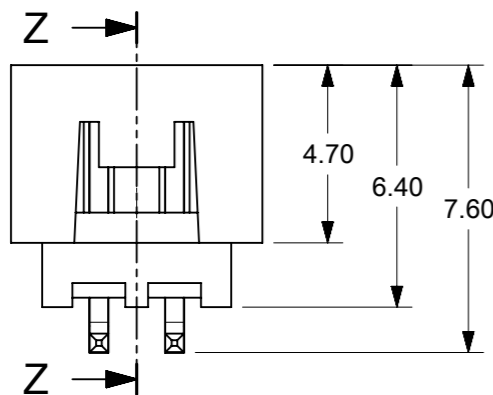
| | | | | | | | | | |
|---|------------|--|--------------|------------------------|--------------------------|--|----------------|----------|--------------|
| EC NO: 721932 DRWN: DANUSA CHK'D: DANUSA REV APPR: MIRAMAKRISHNA | 2022/07/25 | GENERAL TOLERANCES (UNLESS SPECIFIED) | | DIMENSION UNITS | SCALE | | | | |
| | 2022/09/20 | MM | INCH | MM | NTS | | | | |
| | 2022/09/20 | 4 PLACES ± | 3 PLACES ± | DRWN BY | DATE | MILLIGRID 2MM PITCH, SMT VERTICAL SHROUDED HEADER | | | |
| | | 2 PLACES ± 0.2 | 1 PLACES ± | GMENARLY | 2015/05/22 | | | | |
| | | 0 PLACES ± | | CHK'D BY | DATE | | | | |
| | | ANGULAR TOL = 3.0 | CGOH | 2015/09/21 | PRODUCT CUSTOMER DRAWING | | | | |
| | | DRAFT WHERE APPLICABLE MUST REMAIN WITHIN DIMENSIONS | APPR BY | DATE | | | | | |
| A21 | REV | | KHLIM | 2015/09/22 | SERIES | MATERIAL NUMBER | CUSTOMER | | |
| | | | DRAWING SIZE | THIRD ANGLE PROJECTION | 87832 | SEE TABLE | GENERAL MARKET | | |
| | | | A3 | | DOCUMENT NUMBER | | DOC TYPE | DOC PART | SHEET NUMBER |
| | | | | | SD-87832-0001 | | PSD | 001 | 1 OF 13 |



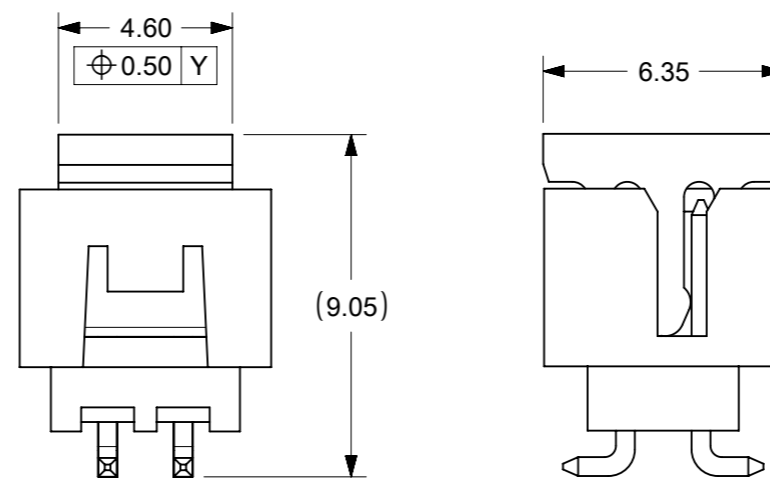
4 CIRCUITS



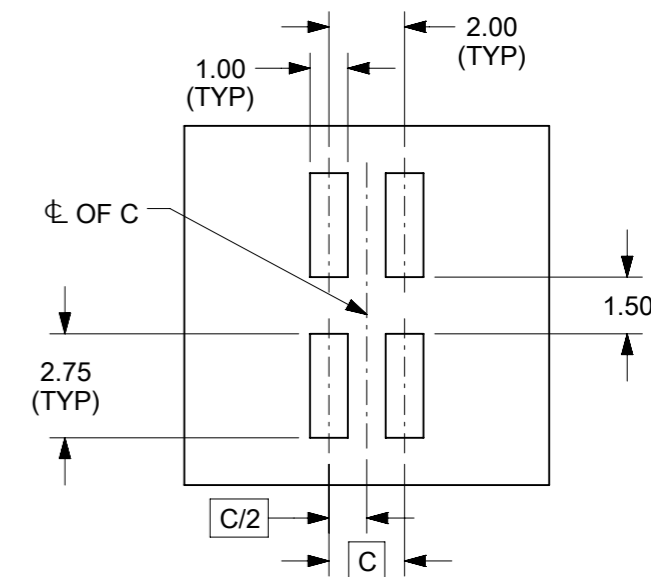
ISO VIEW OF HEADER WITH ONLY DUAL SLOTS



SECTION Z-Z



VIEW FOR HEADER WITH CAP



RECOMMENDED PCB LAYOUT

NOTES:

- MATERIALS:**
HOUSING & CAP: 30% GF, NYLON, UL94V-0, COLOR: BLACK
PIN: 0.50mm SQ. PHOSPHOR BRONZE
- FINISHES:** REFER TO PLATING OPTIONS
- PRODUCT SPECIFICATION:** PS-87831-027
- PACKAGING SPECIFICATION:** SEE PACKAGING SPECS TABLE ON SHEET 12
- MATES WITH:** A. MOLEX CRIMP RECEPTACLE HOUSING: 51110 SERIES AND CRIMP TERMINAL: 50394 SERIES
B. MOLEX 2mm MILLIGRID DUAL ROW IDT: 87568 SERIES
C. MOLEX 2mm MILLIGRID DUAL ROW RECEPTACLE: 79107 (GOLD PLATED), 78787 (TIN PLATED)
- COPLANARITY IS TO BE MEASURED BY RESTING THE SOLDER TAIL ON A GAUGE SURFACE
- BEND DEPRESSION ON SMT TAIL IS ACCEPTABLE SO LONG AS IT DOES NOT AFFECT THE OVERALL COPLANARITY
- TOP SURFACE OF CAP TO BE FLAT FOR THE PURPOSE OF PICK & PLACE BY VACUUM SUCTION NOZZLE

THIS DRAWING CONTAINS INFORMATION THAT IS PROPRIETARY TO MOLEX ELECTRONIC TECHNOLOGIES, LLC AND SHOULD NOT BE USED WITHOUT WRITTEN PERMISSION

| | | | | | |
|---|--|--------------|-----------------|------------------------|--|
| 2022/07/25 2022/09/20 2022/09/20 | GENERAL TOLERANCES (UNLESS SPECIFIED) | | DIMENSION UNITS | SCALE | molex MILLIGRID 2MM PITCH, SMT VERTICAL SHROUDED HEADER |
| | MM | INCH | MM | NTS | |
| EC NO: 721932 DRWN: DANUSA CHK'D: DANUSA REV APPR: MIRAMAKRISHNA | 4 PLACES | ± | ± | DRWN BY | DATE |
| | 3 PLACES | ± | ± | GMENARLY | 2015/05/22 |
| | 2 PLACES | ± 0.2 | ± | CHK'D BY | DATE |
| | 1 PLACES | ± | ± | CGOH | 2015/09/21 |
| | 0 PLACES | ± | ± | APPR BY | DATE |
| | | | | KHLIM | 2015/09/22 |
| | ANGULAR TOL = 3.0 | | DRAWING SIZE | THIRD ANGLE PROJECTION | |
| | DRAFT WHERE APPLICABLE MUST REMAIN WITHIN DIMENSIONS | | A3 | | |
| RELEASE STATUS | P1 | RELEASE DATE | 2022/09/20 | 09:04:31 | |
| SERIES | | | MATERIAL NUMBER | | CUSTOMER |
| 87832 | | | SEE TABLE | | GENERAL MARKET |
| DOCUMENT NUMBER | | | DOC TYPE | DOC PART | SHEET NUMBER |
| SD-87832-0001 | | | PSD | 001 | 2 OF 13 |

4 CIRCUITS

| CKT SIZE | ASSY P/N WITHOUT CAP IN TUBE | ASSY P/N WITH CAP IN TUBE | ASSY P/N WITH CAP IN T&R | T&R OPTIONS (SEE SHEET 12) | PLATING OPTIONS | FRICTION LOCKS | | DUAL SIDE SLOTS | CENTER POLARIZATION | PEGS | DIMENSION | | | | | | | |
|----------|------------------------------|---------------------------|--------------------------|----------------------------|-----------------|----------------|--------|-----------------|---------------------|------|-----------|------|------|-----|-----|------|------------|-----------|
| | | | | | | DUAL | CENTER | | | | A | B | C | D | E | F | G (COPLAN) | H |
| 4 | 87832-0460 | 87832-0462 | 87832-5162 | 1 | 1 | N.A | N.A | YES | N.A | N.A | 6.65 | 4.85 | 2.00 | N.A | N.A | 5.00 | 0.10 | 3.60±0.20 |
| | 87832-0420 | 87832-0422 | 87832-5122 | 1 | 2 | | | | | | | | | | | | | |
| | 87832-0421 | 87832-0423 | 87832-5123 | 1 | 3 | | | | | | | | | | | | | |
| | 87832-0470 | 87832-0472 | 87832-5172 | 1 | 4 | N.A | YES | YES | N.A | N.A | | | | | | | 0.10 | |
| | 87832-0410 | 87832-0408 | 87832-0406 | 1 | 2 | | | | | | | | | | | | | |
| | | | 87832-5106 | 2 | 2 | | | | | | | | | | | | | |
| | | 87832-0411 | 87832-0409 | 87832-0407 | 1 | 3 | N.A | YES | YES | N.A | | | | | | | N.A | |
| | 87832-0404 | N.A | N.A | N.A | 2 | 0.10 | | | | | | | | | | | | |

PLATING OPTIONS:

- 1 - 0.05-0.13µm/2-5µin GOLD IN CONTACT AREA AND 1.88µm/75µin MIN. MATTE TIN IN SOLDER TAIL AREA OVER 1.27µm/50µin MIN. NICKEL OVERALL.
- 2 - 0.38µm/15µin MIN. GOLD IN CONTACT AREA AND 1.88µm/75µin MIN. MATTE TIN IN SOLDER TAIL AREA OVER 1.27µm/50µin MIN. NICKEL OVERALL.
- 3 - 0.76µm/30µin MIN. GOLD IN CONTACT AREA AND 1.88µm/75µin MIN. MATTE TIN IN SOLDER TAIL AREA OVER 1.27µm/50µin MIN. NICKEL OVERALL.
- 4 - 2.50µm/100µin MIN. MATTE TIN OVER 1.25µm/50µin MIN. NICKEL OVERALL.

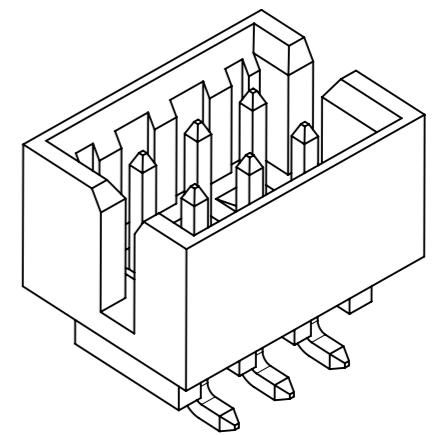
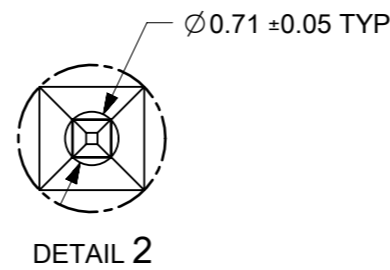
THIS DRAWING CONTAINS INFORMATION THAT IS PROPRIETARY TO MOLEX ELECTRONIC TECHNOLOGIES, LLC AND SHOULD NOT BE USED WITHOUT WRITTEN PERMISSION

| | | | | | | | | | | | |
|--|------------|--|--------------|------------------------|--|--|--|---------------|--|--|--|
| EC NO: 721932 DRWN: DANUSA CHKD: DANUSA REV APPR: MIRAMAKRISHNA | 2022/07/25 | GENERAL TOLERANCES (UNLESS SPECIFIED) | | DIMENSION UNITS | | SCALE | | molex® | | | |
| | 2022/09/20 | MM | INCH | MM | NTS | | | | | | |
| | 2022/09/20 | 4 PLACES ± | ± | DRWN BY | DATE | MILLIGRID 2MM PITCH, SMT VERTICAL SHROUDED HEADER | | | | | |
| | | 3 PLACES ± | ± | GMENARLY | 2015/05/22 | | | | | | |
| | | 2 PLACES ± 0.2 | ± | CHK'D BY | DATE | PRODUCT CUSTOMER DRAWING | | | | | |
| | | 1 PLACES ± | ± | CGOH | 2015/09/21 | | | | | | |
| | 0 PLACES ± | ± | APPR BY | DATE | SERIES: 87832 MATERIAL NUMBER: SEE TABLE CUSTOMER: GENERAL MARKET | | | | | | |
| | | | KHLIM | 2015/09/22 | | | | | | | |
| | | ANGULAR TOL = 3.0 | DRAWING SIZE | THIRD ANGLE PROJECTION | DOCUMENT NUMBER: SD-87832-0001 DOC TYPE: PSD DOC PART: 001 SHEET NUMBER: 3 OF 13 | | | | | | |
| | | DRAFT WHERE APPLICABLE MUST REMAIN WITHIN DIMENSIONS | A3 | | | | | | | | |

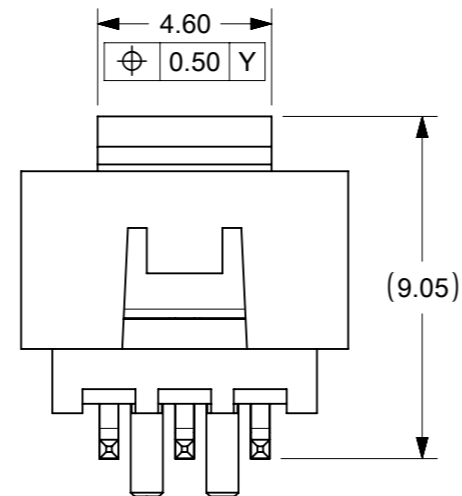
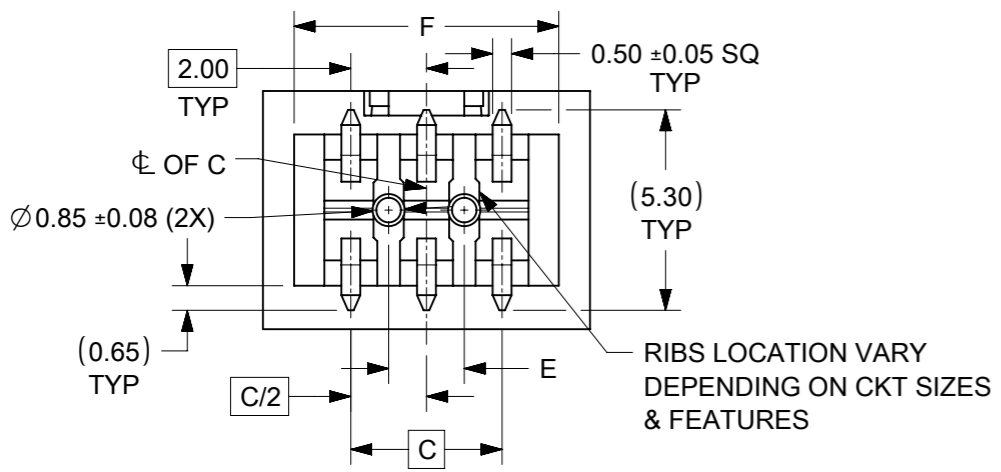
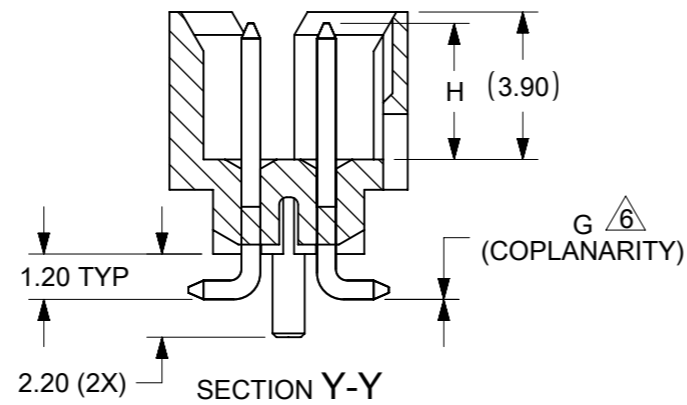
| | | | | |
|----------------|----|--------------|------------|----------|
| RELEASE STATUS | P1 | RELEASE DATE | 2022/09/20 | 09:04:31 |
|----------------|----|--------------|------------|----------|



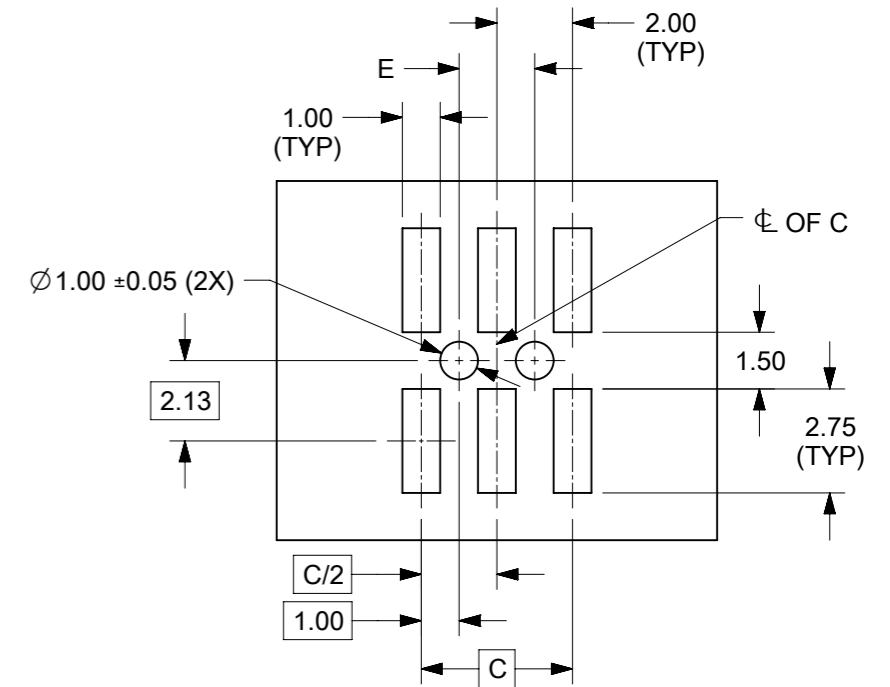
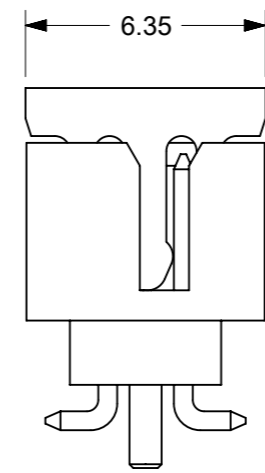
6 CIRCUITS



VIEW FOR HEADER WITH ONLY DUAL SLOTS



VIEW FOR HEADER WITH CAP



RECOMMENDED PCB LAYOUT

- NOTES:**
- MATERIALS:**
HOUSING & CAP: 30% GF, NYLON, UL94V-0, COLOR: BLACK
PIN: 0.50mm SQ. PHOSPHOR BRONZE
 - FINISHES:** REFER TO PLATING OPTIONS
 - PRODUCT SPECIFICATION:** PS-87831-027
 - PACKAGING SPECIFICATION:** SEE PACKAGING SPECS TABLE ON SHEET 12
 - MATES WITH:** A. MOLEX CRIMP RECEPTACLE HOUSING: 51110 SERIES AND CRIMP TERMINAL: 50394 SERIES
B. MOLEX 2mm MILLIGRID DUAL ROW IDT: 87568 SERIES
C. MOLEX 2mm MILLIGRID DUAL ROW RECEPTACLE: 79107 (GOLD PLATED), 78787 (TIN PLATED)
- COPLANARITY** IS TO BE MEASURED BY RESTING THE SOLDER TAIL ON A GAUGE SURFACE
- BEND DEPRESSION ON SMT TAIL IS ACCEPTABLE SO LONG AS IT DOES NOT AFFECT THE OVERALL COPLANARITY
- TOP SURFACE OF CAP TO BE FLAT FOR THE PURPOSE OF PICK & PLACE BY VACUUM SUCTION NOZZLE

THIS DRAWING CONTAINS INFORMATION THAT IS PROPRIETARY TO MOLEX ELECTRONIC TECHNOLOGIES, LLC AND SHOULD NOT BE USED WITHOUT WRITTEN PERMISSION

| | | | | | | | | | | | |
|---|-------------------|--|--------------|-----------------|------------------------|------------|------------|---|--|--|--|
| EC NO: 721932 DRWN: DANUSA CHK'D: DANUSA REV APPR: MIRAMAKRISHNA | 2022/07/25 | GENERAL TOLERANCES (UNLESS SPECIFIED) | | DIMENSION UNITS | | SCALE | | | | | |
| | 2022/09/20 | MM | INCH | MM | NTS | DRWN BY | | | | | |
| | 2022/09/20 | 4 PLACES | ± | ± | GMENARLY | | 2015/05/22 | | MILLIGRID 2MM PITCH, SMT VERTICAL SHROUDED HEADER | | |
| | | 3 PLACES | ± | ± | CHK'D BY | | DATE | | | | |
| | 2 PLACES | ± 0.2 | ± | CGOH | | 2015/09/21 | | PRODUCT CUSTOMER DRAWING | | | |
| | 1 PLACES | ± | ± | APPR BY | | DATE | | | | | |
| | 0 PLACES | ± | ± | KHLIM | | 2015/09/22 | | SERIES: 87832 MATERIAL NUMBER: SEE TABLE CUSTOMER: GENERAL MARKET | | | |
| | ANGULAR TOL = 3.0 | | DRAWING SIZE | | THIRD ANGLE PROJECTION | | | | | | |
| A21 | | DRAFT WHERE APPLICABLE MUST REMAIN WITHIN DIMENSIONS | | A3 | | | | DOCUMENT NUMBER: SD-87832-0001 DOC TYPE: PSD DOC PART: 001 SHEET NUMBER: 4 OF 13 | | | |

6 CIRCUITS

| CKT SIZE | ASSY P/N WITHOUT CAP IN TUBE | ASSY P/N WITH CAP IN TUBE | ASSY P/N WITH CAP IN T&R | ASSY P/N WITHOUT CAP IN T&R | T&R OPTIONS (SEE SHEET 12) | PLATING OPTIONS | FRICTION LOCKS | | DUAL SIDE SLOTS | CENTER POLARIZATION | PEGS | DIMENSION | | | | | | | |
|------------|------------------------------|---------------------------|--------------------------|-----------------------------|----------------------------|-----------------|----------------|--------|-----------------|---------------------|------|-----------|------|------|-----|------|-----------|------------|-----------|
| | | | | | | | DUAL | CENTER | | | | A | B | C | D | E | F | G (COPLAN) | H |
| 6 | 87832-0660 | 87832-0662 | 87832-5262 | | 1 | 1 | N.A | N.A | YES | N.A | YES | 8.65 | 6.85 | 4.00 | N.A | 2.00 | 7.00 | 0.10 | 3.60±0.20 |
| | 87832-0620 | 87832-0622 | 87832-5222 | 87832-5230 | 1 | 2 | | | | | | | | | | | | | |
| | 87832-0621 | 87832-0623 | 87832-5223 | | 1 | 3 | | | | | | | | | | | | | |
| | 87832-0670 | 87832-0672 | 87832-5272 | | 1 | 4 | | | | | | | | | | | | | |
| | 87832-0612 | 87832-0616 | 87832-0614 | | 1 | 2 | N.A | N.A | YES | N.A | N.A | | | | | | | 0.10 | 3.60±0.20 |
| | 87832-0613 | 87832-0617 | 87832-0615 | | 1 | 3 | N.A | N.A | YES | YES | N.A | | | | | | | | |
| | 87832-0624 | 87832-0626 | 87832-0628 | | 1 | 2 | N.A | YES | YES | N.A | N.A | | | | | | | | |
| | 87832-0625 | 87832-0627 | 87832-0629 | | 1 | 3 | N.A | YES | YES | N.A | YES | | | | | | | | |
| | 87832-0610 | 87832-0608 | 87832-0606 | | 1 | 2 | | | | | | | | | | | | N.A | YES |
| | 87832-0611 | 87832-0609 | 87832-0607 | | 1 | 3 | N.A | YES | YES | N.A | YES | | | | | | | | |
| 87832-0604 | N.A | N.A | | N.A | 2 | N.A | | | | | | YES | YES | N.A | YES | 0.10 | 3.60±0.20 | | |

PLATING OPTIONS:

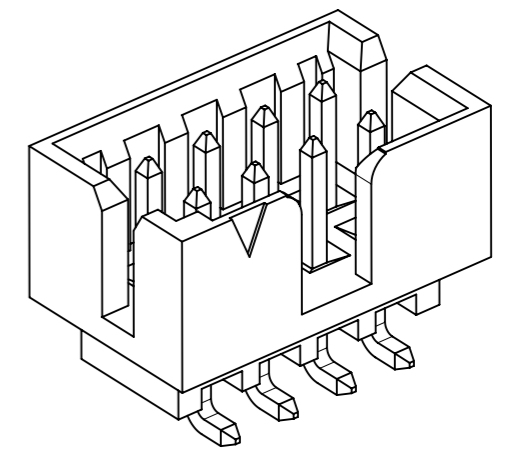
- 1 - 0.05-0.13µm/2-5µin GOLD IN CONTACT AREA AND 1.88µm/75µin MIN. MATTE TIN IN SOLDER TAIL AREA OVER 1.27µm/50µin MIN. NICKEL OVERALL.
- 2 - 0.38µm/15µin MIN. GOLD IN CONTACT AREA AND 1.88µm/75µin MIN. MATTE TIN IN SOLDER TAIL AREA OVER 1.27µm/50µin MIN. NICKEL OVERALL.
- 3 - 0.76µm/30µin MIN. GOLD IN CONTACT AREA AND 1.88µm/75µin MIN. MATTE TIN IN SOLDER TAIL AREA OVER 1.27µm/50µin MIN. NICKEL OVERALL.
- 4 - 2.50µm/100µin MIN. MATTE TIN OVER 1.25µm/50µin MIN. NICKEL OVERALL.

THIS DRAWING CONTAINS INFORMATION THAT IS PROPRIETARY TO MOLEX ELECTRONIC TECHNOLOGIES, LLC AND SHOULD NOT BE USED WITHOUT WRITTEN PERMISSION

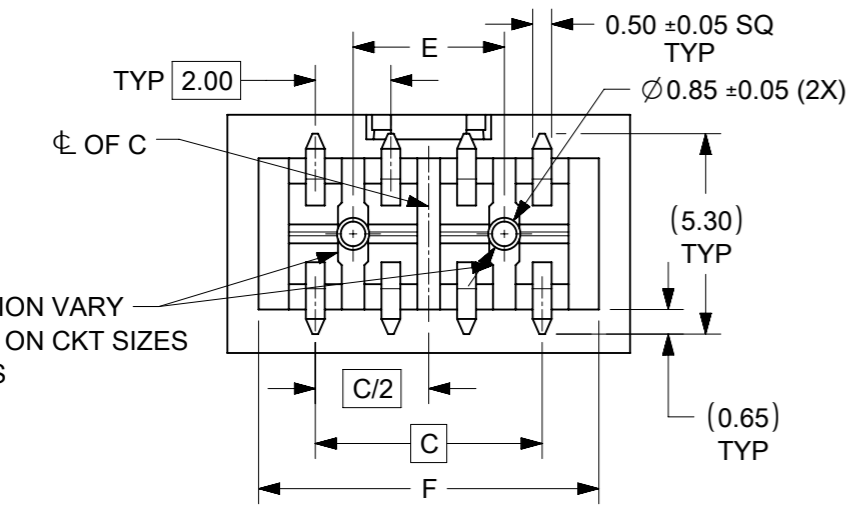
| | | | | | | | | | | | | |
|--|--|---------------------------------------|-----------------|------------------------|----------|--|------------|-----------------|----------|-------|-----------|----------------|
| EC NO: 721932 DRWN: DANUSA CHKD: DANUSA REV APPR: MIRAMAKRISHNA | 2022/07/25 | GENERAL TOLERANCES (UNLESS SPECIFIED) | DIMENSION UNITS | | SCALE | <h1 style="margin: 0;">molex®</h1> <p style="margin: 5px 0;">MILLIGRID 2MM PITCH, SMT VERTICAL SHROUDED HEADER</p> <p style="margin: 5px 0;">PRODUCT CUSTOMER DRAWING</p> <table style="width: 100%; font-size: x-small;"> <tr> <td style="width: 25%;">SERIES</td> <td style="width: 40%;">MATERIAL NUMBER</td> <td style="width: 35%;">CUSTOMER</td> </tr> <tr> <td style="text-align: center;">87832</td> <td style="text-align: center;">SEE TABLE</td> <td style="text-align: center;">GENERAL MARKET</td> </tr> </table> | SERIES | MATERIAL NUMBER | CUSTOMER | 87832 | SEE TABLE | GENERAL MARKET |
| | SERIES | | MATERIAL NUMBER | CUSTOMER | | | | | | | | |
| | 87832 | | SEE TABLE | GENERAL MARKET | | | | | | | | |
| | 2022/09/20 | | MM | INCH | DRWN BY | | DATE | | | | | |
| | 2022/09/20 | | 4 PLACES ± | ± | GMENARLY | | 2015/05/22 | | | | | |
| | | | 3 PLACES ± | ± | CHK'D BY | | DATE | | | | | |
| | 2 PLACES ± | 0.2 | CGOH | 2015/09/21 | | | | | | | | |
| | 1 PLACES ± | ± | APPR BY | DATE | | | | | | | | |
| | 0 PLACES ± | ± | KHLIM | 2015/09/22 | | | | | | | | |
| | ANGULAR TOL = 3.0 | | DRAWING SIZE | THIRD ANGLE PROJECTION | | | | | | | | |
| | DRAFT WHERE APPLICABLE MUST REMAIN WITHIN DIMENSIONS | | A3 | | | | | | | | | |
| A21 | REV | DOCUMENT NUMBER | | DOC TYPE | DOC PART | SHEET NUMBER | | | | | | |
| | | SD-87832-0001 | | PSD | 001 | 5 OF 13 | | | | | | |

| | | | | |
|----------------|----|--------------|------------|----------|
| RELEASE STATUS | P1 | RELEASE DATE | 2022/09/20 | 09:04:31 |
|----------------|----|--------------|------------|----------|

8 TO 12 CIRCUITS



ISO VIEW OF HEADER WITH CENTER POLARIZATION AND DUAL SIDE SLOTS



VIEW FOR HEADER WITH CAP



RECOMMENDED PCB LAYOUT

- NOTES:**
- MATERIALS:**
HOUSING & CAP: 30% GF, NYLON, UL94V-0, COLOR: BLACK
PIN: 0.50mm SQ. PHOSPHOR BRONZE
 - FINISHES:** REFER TO PLATING OPTIONS
 - PRODUCT SPECIFICATION:** PS-87831-027
 - PACKAGING SPECIFICATION:** SEE PACKAGING SPECS TABLE ON SHEET 12
 - MATES WITH:** A. MOLEX CRIMP RECEPTACLE HOUSING: 51110 SERIES AND CRIMP TERMINAL: 50394 SERIES
B. MOLEX 2mm MILLIGRID DUAL ROW IDT: 87568 SERIES
C. MOLEX 2mm MILLIGRID DUAL ROW RECEPTACLE: 79107 (GOLD PLATED), 78787 (TIN PLATED)
 - COPLANARITY** IS TO BE MEASURED BY RESTING THE SOLDER TAIL ON A GAUGE SURFACE
 - BEND DEPRESSION ON SMT TAIL IS ACCEPTABLE SO LONG AS IT DOES NOT AFFECT THE OVERALL COPLANARITY
 - TOP SURFACE OF CAP TO BE FLAT FOR THE PURPOSE OF PICK & PLACE BY VACUUM SUCTION NOZZLE

THIS DRAWING CONTAINS INFORMATION THAT IS PROPRIETARY TO MOLEX ELECTRONIC TECHNOLOGIES, LLC AND SHOULD NOT BE USED WITHOUT WRITTEN PERMISSION

| | | | | | | |
|---|------------|---|--|--|--|--|
| EC NO: 721932 DRWN: DANUSA CHK'D: DANUSA REV APPR: MIRAMAKRISHNA | 2022/07/25 | GENERAL TOLERANCES (UNLESS SPECIFIED) DIMENSION UNITS: MM, INCH SCALE: NTS DRWN BY: GMENARLY DATE: 2015/05/22 CHK'D BY: CGOH DATE: 2015/09/21 APPR BY: KHLIM DATE: 2015/09/22 DRAWING SIZE: A3 THIRD ANGLE PROJECTION | 4 PLACES ± ± 3 PLACES ± ± 2 PLACES ± 0.2 ± 1 PLACES ± ± 0 PLACES ± ± | | MOLEX® MILLIGRID 2MM PITCH, SMT VERTICAL SHROUDED HEADER PRODUCT CUSTOMER DRAWING SERIES: 87832 MATERIAL NUMBER: SEE TABLE CUSTOMER: GENERAL MARKET DOCUMENT NUMBER: SD-87832-0001 DOC TYPE: PSD DOC PART: 001 SHEET NUMBER: 6 OF 13 | |
| | 2022/09/20 | | ANGULAR TOL = 3.0 DRAFT WHERE APPLICABLE MUST REMAIN WITHIN DIMENSIONS | | | |
| | 2022/09/20 | | | | | |
| | | | | | | |
| | | | | | | |


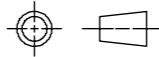
8 TO 12 CIRCUITS

| CKT SIZE | ASSY P/N WITHOUT CAP IN TUBE | ASSY P/N WITH CAP IN TUBE | ASSY P/N WITH CAP IN T&R | ASSY P/N WITHOUT CAP IN T&R | T&R OPTIONS (SEE SHEET 12) | PLATING OPTIONS | FRICTION LOCKS | | DUAL SIDE SLOTS | CENTER POLARIZATION | PEGS | DIMENSION | | | | | | | |
|------------|------------------------------|---------------------------|--------------------------|-----------------------------|----------------------------|-----------------|----------------|--------|-----------------|---------------------|------|-----------|-------|-------|-----|------|-------|------------|-----------|
| | | | | | | | DUAL | CENTER | | | | A | B | C | D | E | F | G (COPLAN) | H |
| 8 | 87832-0860 | 87832-0862 | 87832-5362 | | 1 | 1 | N.A | N.A | YES | YES | YES | 10.65 | 8.85 | 6.00 | N.A | 4.00 | 9.00 | 0.10 | 3.60±0.20 |
| | 87832-0820 | 87832-0822 | 87832-5322 | | 1 | 2 | | | | | | | | | | | | 0.10 | 3.60±0.20 |
| | 87832-0821 | 87832-0823 | 87832-5323 | | 1 | 3 | | | | | | | | | | | | 0.10 | 3.60±0.15 |
| | 87832-0870 | 87832-0872 | 87832-5372 | | 1 | 4 | N.A | N.A | YES | YES | N.A | | | | | | | 0.10 | 3.60±0.20 |
| | 87832-0812 | 87832-0816 | 87832-0814 | | 1 | 2 | N.A | YES | YES | N.A | N.A | | | | | | | 0.10 | 3.60±0.20 |
| | 87832-0824 | 87832-0826 | 87832-0828 | | 1 | 2 | N.A | YES | YES | N.A | N.A | | | | | | | 0.10 | 3.60±0.15 |
| | 87832-0825 | 87832-0827 | 87832-0829 | | 1 | 3 | N.A | YES | YES | N.A | YES | | | | | | | 0.10 | 3.60±0.20 |
| | 87832-0810 | 87832-0808 | 87832-0806 | | 1 | 2 | N.A | YES | YES | N.A | YES | | | | | | | 0.10 | 3.60±0.20 |
| | 87832-0811 | 87832-0809 | 87832-0807 | | 1 | 3 | N.A | YES | YES | N.A | YES | | | | | | | 0.10 | 3.60±0.20 |
| 87832-0804 | N.A | N.A | | N.A | 2 | N.A | YES | YES | N.A | YES | 0.10 | 3.60±0.20 | | | | | | | |
| 10 | 87832-1060 | 87832-1062 | 87832-5462 | | 1 | 1 | N.A | N.A | YES | YES | YES | 12.65 | 10.85 | 8.00 | N.A | 6.00 | 11.00 | 0.10 | 3.60±0.20 |
| | 87832-1020 | 87832-1022 | 87832-5422 | 87832-5430 | 1 | 2 | | | | | | | | | | | | 0.10 | 3.60±0.20 |
| | 87832-1021 | 87832-1023 | 87832-5423 | | 1 | 3 | | | | | | | | | | | | 0.10 | 3.60±0.20 |
| | | | 87832-9423 | | 2 | | | | | | | | | | | | | 0.10 | 3.60±0.15 |
| | 87832-1070 | 87832-1072 | 87832-5472 | | 1 | 4 | N.A | N.A | YES | YES | N.A | | | | | | | 0.10 | 3.60±0.20 |
| | 87832-1012 | 87832-1016 | 87832-1014 | | 1 | 2 | N.A | YES | YES | N.A | YES | | | | | | | 0.10 | 3.60±0.20 |
| | 87832-1019 | 87832-1045 | 87832-1035 | | 1 | 1 | N.A | YES | YES | N.A | YES | | | | | | | 0.10 | 3.60±0.15 |
| | 87832-1024 | 87832-1026 | 87832-1028 | | 1 | 2 | N.A | YES | YES | N.A | YES | | | | | | | 0.10 | 3.60±0.20 |
| | N.A | N.A | 87832-1055 | | 1 | 1 | N.A | YES | YES | N.A | YES | | | | | | | 0.10 | 3.60±0.20 |
| | 87832-1025 | 87832-1027 | 87832-1029 | | 1 | 3 | N.A | YES | YES | N.A | YES | | | | | | | 0.10 | 3.60±0.20 |
| | 87832-1010 | 87832-1008 | 87832-1006 | | 1 | 2 | N.A | YES | YES | N.A | YES | | | | | | | 0.10 | 3.60±0.20 |
| | 87832-1011 | 87832-1009 | 87832-1007 | | 1 | 3 | N.A | YES | YES | N.A | YES | | | | | | | 0.10 | 3.60±0.20 |
| 87832-1004 | N.A | N.A | | N.A | 2 | N.A | YES | YES | N.A | YES | 0.10 | 3.60±0.20 | | | | | | | |
| 12 | 87832-1260 | 87832-1262 | 87832-5562 | | 1 | 1 | N.A | N.A | YES | YES | YES | 14.65 | 12.85 | 10.00 | N.A | 8.00 | 13.00 | 0.10 | 3.60±0.20 |
| | 87832-1220 | 87832-1222 | 87832-5522 | | 1 | 2 | | | | | | | | | | | | 0.10 | 3.60±0.15 |
| | 87832-1221 | 87832-1223 | 87832-5523 | | 1 | 3 | | | | | | | | | | | | 0.10 | 3.60±0.20 |
| | | | 87832-9623 | | 2 | | | | | | | | | | | | | 0.10 | 3.60±0.20 |
| | 87832-1270 | 87832-1272 | 87832-5572 | | 1 | 4 | N.A | YES | YES | N.A | N.A | | | | | | | 0.10 | 3.60±0.15 |
| | 87832-1224 | 87832-1226 | 87832-1228 | | 1 | 2 | N.A | YES | YES | N.A | YES | | | | | | | 0.10 | 3.60±0.20 |
| | 87832-1225 | 87832-1227 | 87832-1229 | | 1 | 3 | N.A | YES | YES | N.A | YES | | | | | | | 0.10 | 3.60±0.20 |
| | 87832-1210 | 87832-1208 | 87832-1206 | | 1 | 2 | N.A | YES | YES | N.A | YES | | | | | | | 0.10 | 3.60±0.20 |
| | 87832-1211 | 87832-1209 | 87832-1207 | | 1 | 3 | N.A | YES | YES | N.A | YES | | | | | | | 0.10 | 3.60±0.20 |
| | 87832-1204 | N.A | N.A | | N.A | 2 | N.A | YES | YES | N.A | YES | | | | | | | 0.10 | 3.60±0.20 |
| 87832-1212 | N.A | N.A | | N.A | 2 | N.A | N.A | YES | YES | N.A | 0.10 | 3.60±0.20 | | | | | | | |

PLATING OPTIONS:

- 1 - 0.05-0.13µm/2-5µin GOLD IN CONTACT AREA AND 1.88µm/75µin MIN. MATTE TIN IN SOLDER TAIL AREA OVER 1.27µm/50µin MIN. NICKEL OVERALL.
- 2 - 0.38µm/15µin MIN. GOLD IN CONTACT AREA AND 1.88µm/75µin MIN. MATTE TIN IN SOLDER TAIL AREA OVER 1.27µm/50µin MIN. NICKEL OVERALL.
- 3 - 0.76µm/30µin MIN. GOLD IN CONTACT AREA AND 1.88µm/75µin MIN. MATTE TIN IN SOLDER TAIL AREA OVER 1.27µm/50µin MIN. NICKEL OVERALL.
- 4 - 2.50µm/100µin MIN. MATTE TIN OVER 1.25µm/50µin MIN. NICKEL OVERALL.

THIS DRAWING CONTAINS INFORMATION THAT IS PROPRIETARY TO MOLEX ELECTRONIC TECHNOLOGIES, LLC AND SHOULD NOT BE USED WITHOUT WRITTEN PERMISSION

| | | | | | | | |
|--|---------------------------------------|-----------------------------------|-----------------|---|------------|---|---|
| EC NO: 721932 DRWN: DANUSA CHKD: DANUSA REV APPR: MIRAMAKRISHNA | GENERAL TOLERANCES (UNLESS SPECIFIED) | | DIMENSION UNITS | | SCALE | |  |
| | | | MM | INCH | MM | NTS | |
| | 4 PLACES ± | | DRWN BY | | DATE | | |
| | 3 PLACES ± | | GMENARLY | | 2015/05/22 | | |
| 2 PLACES ± 0.2 | | CHK'D BY | | DATE | | MILLIGRID 2MM PITCH, SMT VERTICAL SHROUDED HEADER | |
| 1 PLACES ± | | CGOH | | 2015/09/21 | | | |
| 0 PLACES ± | | APPR BY | | DATE | | | |
| ANGULAR TOL = 3.0 | | KHLIM | | 2015/09/22 | | PRODUCT CUSTOMER DRAWING | |
| DRAFT WHERE APPLICABLE MUST REMAIN WITHIN DIMENSIONS | | DRAWING SIZE | | THIRD ANGLE PROJECTION | | | |
| A21 | | A3 | |  | | SERIES: 87832 MATERIAL NUMBER: SEE TABLE CUSTOMER: GENERAL MARKET | |
| RELEASE STATUS: P1 | | RELEASE DATE: 2022/09/20 09:04:31 | | DOCUMENT NUMBER: SD-87832-0001 | | DOC TYPE: PSD DOC PART: 001 SHEET NUMBER: 7 OF 13 | |

14 TO 50 CIRCUITS



- NOTES:**
- MATERIALS:**
HOUSING & CAP: 30% GF, NYLON, UL94V-0, COLOR: BLACK
PIN: 0.50mm SQ. PHOSPHOR BRONZE
 - FINISHES:** REFER TO PLATING OPTIONS
 - PRODUCT SPECIFICATION:** PS-87831-027
 - PACKAGING SPECIFICATION:** SEE PACKAGING SPECS TABLE ON SHEET 12
 - MATES WITH:** A. MOLEX CRIMP RECEPTACLE HOUSING: 51110 SERIES AND CRIMP TERMINAL: 50394 SERIES
B. MOLEX 2mm MILLIGRID DUAL ROW IDT: 87568 SERIES
C. MOLEX 2mm MILLIGRID DUAL ROW RECEPTACLE: 79107 (GOLD PLATED), 78787 (TIN PLATED)
 - COPLANARITY IS TO BE MEASURED BY RESTING THE SOLDER TAIL ON A GAUGE SURFACE**
 - BEND DEPRESSION ON SMT TAIL IS ACCEPTABLE SO LONG AS IT DOES NOT AFFECT THE OVERALL COPLANARITY**
 - TOP SURFACE OF CAP TO BE FLAT FOR THE PURPOSE OF PICK & PLACE BY VACUUM SUCTION NOZZLE**

THIS DRAWING CONTAINS INFORMATION THAT IS PROPRIETARY TO MOLEX ELECTRONIC TECHNOLOGIES, LLC AND SHOULD NOT BE USED WITHOUT WRITTEN PERMISSION

| | | | | | | | | | | | |
|---|--|---------------------------------------|--------------|-----------------|------------------------|------------|------------|---|---|--|--|
| EC NO: 721932 DRWN: DANUSA CHK'D: DANUSA APPR: MIRAMAKRISHNA | 2022/07/25 | GENERAL TOLERANCES (UNLESS SPECIFIED) | | DIMENSION UNITS | | SCALE | | | | | |
| | 2022/09/20 | MM | INCH | MM | NTS | DRWN BY | | | | | |
| | 2022/09/20 | 4 PLACES | ± | ± | GMENARLY | | 2015/05/22 | | MILLIGRID 2MM PITCH, SMT VERTICAL SHROUDED HEADER | | |
| | | 3 PLACES | ± | ± | CHK'D BY | | DATE | | | | |
| | 2 PLACES | ± | 0.2 | ± | CGOH | | 2015/09/21 | | PRODUCT CUSTOMER DRAWING | | |
| | 1 PLACES | ± | ± | APPR BY | | DATE | | | | | |
| | 0 PLACES | ± | ± | KHLIM | | 2015/09/22 | | SERIES: 87832 MATERIAL NUMBER: SEE TABLE CUSTOMER: GENERAL MARKET | | | |
| | ANGULAR TOL = 3.0 | | DRAWING SIZE | | THIRD ANGLE PROJECTION | | | | | | |
| | DRAFT WHERE APPLICABLE MUST REMAIN WITHIN DIMENSIONS | | A3 | | | | | | DOCUMENT NUMBER: SD-87832-0001 DOC TYPE: PSD DOC PART: 001 SHEET NUMBER: 8 OF 13 | | |
| RELEASE STATUS: P1 RELEASE DATE: 2022/09/20 09:04:31 | | | | | | | | | | | |

14 TO 24 CIRCUITS

| CKT SIZE | ASSY P/N WITHOUT CAP IN TUBE | ASSY P/N WITH CAP IN TUBE | ASSY P/N WITH CAP IN T&R | ASSY P/N WITHOUT CAP IN T&R | T&R OPTIONS (SEE SHEET 12) | PLATING OPTIONS | FRICTION LOCKS | | DUAL SIDE SLOTS | CENTER POLARIZATION | PEGS | DIMENSION | | | | | | | | So (T&R) | | | | | | | | | |
|------------|------------------------------|---------------------------|--------------------------|-----------------------------|----------------------------|-----------------|----------------|--------|-----------------|---------------------|------|-----------|-------|-------|-------|-------|-------|------------|-----------|----------|--|--|--|--|--|------|-----------|-------|--|
| | | | | | | | DUAL | CENTER | | | | A | B | C | D | E | F | G (COPLAN) | H | | | | | | | | | | |
| 14 | 87832-1460 | 87832-1462 | 87832-5662 | | 1 | 1 | | | | | | 16.65 | 14.85 | 12.00 | 8.00 | 10.00 | 15.00 | 0.15 | 3.60±0.20 | | | | | | | | | | |
| | 87832-1420 | 87832-1422 | 87832-5622 | 87832-5630 | 1 | 2 | | | | | | | | | | | | | | | | | | | | | | | |
| | 87832-1421 | 87832-1423 | 87832-5623 | | 1 | 3 | | | | | | | | | | | | | | | | | | | | | | | |
| | | | 87832-9523 | | 2 | | | | | | | | | | | | | | | | | | | | | | | | |
| | 87832-1470 | 87832-1472 | 87832-5672 | | 1 | 4 | | | | | | | | | | | | | | | | | | | | | | | |
| 87832-1412 | 87832-1416 | 87832-1414 | | 1 | 2 | YES | N.A | YES | YES | N.A | | | | | | | 0.15 | 3.60±0.20 | | | | | | | | | | | |
| 16 | 87832-1660 | 87832-1662 | 87832-5762 | | 1 | 1 | | | | | | 18.65 | 16.85 | 14.00 | 10.00 | 12.00 | 17.00 | 0.15 | 3.60±0.20 | | | | | | | | | | |
| | 87832-1620 | 87832-1622 | 87832-5722 | | 1 | 2 | | | | | | | | | | | | | | | | | | | | | | | |
| | 87832-1621 | 87832-1623 | 87832-5723 | | 1 | 3 | | | | | | | | | | | | | | | | | | | | | | | |
| | 87832-1670 | 87832-1672 | 87832-5772 | 87832-5730 | 1 | 4 | | | | | | | | | | | | | | | | | | | | | | | |
| | 87832-1612 | 87832-1616 | 87832-1614 | | 1 | 2 | YES | N.A | YES | YES | N.A | | | | | | | | | | | | | | | 0.15 | 3.60±0.20 | 28.40 | |
| | 87832-1619 | 87832-1645 | 87832-1635 | | 1 | 1 | | | | | | | | | | | | | | | | | | | | | | | |
| 18 | 87832-1860 | 87832-1862 | 87832-5862 | | 1 | 1 | | | | | | 20.65 | 18.85 | 16.00 | 12.00 | 14.00 | 19.00 | 0.15 | 3.60±0.20 | | | | | | | | | | |
| | 87832-1820 | 87832-1822 | 87832-5822 | 87832-5830 | 1 | 2 | | | | | | | | | | | | | | | | | | | | | | | |
| | 87832-1821 | 87832-1823 | 87832-5823 | | 1 | 3 | | | | | | | | | | | | | | | | | | | | | | | |
| | 87832-1870 | 87832-1872 | 87832-5872 | | 1 | 4 | | | | | | | | | | | | | | | | | | | | | | | |
| | 87832-1812 | 87832-1816 | 87832-1814 | | 3 | 2 | YES | N.A | YES | YES | N.A | | | | | | | | | | | | | | | 0.15 | 3.60±0.20 | | |
| | 87832-1813 | 87832-1817 | 87832-1815 | | 3 | 3 | YES | N.A | YES | YES | N.A | | | | | | | | | | | | | | | 0.15 | 3.60±0.20 | | |
| 20 | 87832-2060 | 87832-2062 | 87832-5962 | | 1 | 1 | | | | | | 22.65 | 20.85 | 18.00 | 14.00 | 16.00 | 21.00 | 0.15 | 3.60±0.20 | | | | | | | | | | |
| | 87832-2020 | 87832-2022 | 87832-5922 | 87832-5930 | 1 | 2 | | | | | | | | | | | | | | | | | | | | | | | |
| | 87832-2021 | 87832-2023 | 87832-5923 | | 1 | 3 | YES | N.A | YES | YES | YES | | | | | | | | | | | | | | | | | | |
| | 87832-2070 | 87832-2072 | 87832-5972 | | 1 | 4 | | | | | | | | | | | | | | | | | | | | | | | |
| | | | 87832-9672 | | 2 | | | | | | | | | | | | | | | | | | | | | | | | |
| 87832-2012 | 87832-2016 | 87832-2014 | | 1 | 2 | YES | N.A | YES | YES | N.A | | | | | | | 0.15 | 3.60±0.20 | 40.40 | | | | | | | | | | |
| 22 | 87832-2260 | 87832-2262 | 87832-6062 | | 1 | 1 | | | | | | 24.65 | 22.85 | 20.00 | 16.00 | 18.00 | 23.00 | 0.15 | 3.60±0.20 | | | | | | | | | | |
| | 87832-2220 | 87832-2222 | 87832-6022 | 87832-6030 | 1 | 2 | | | | | | | | | | | | | | | | | | | | | | | |
| | 87832-2221 | 87832-2223 | 87832-6023 | A21 87832-6031 | 1 | 3 | YES | N.A | YES | YES | YES | | | | | | | | | | | | | | | | | | |
| | 87832-2270 | 87832-2272 | 87832-6072 | | 1 | 4 | | | | | | | | | | | | | | | | | | | | | | | |
| 24 | 87832-2460 | 87832-2462 | 87832-6162 | | 1 | 1 | | | | | | 26.65 | 24.85 | 22.00 | 18.00 | 20.00 | 25.00 | 0.15 | 3.60±0.20 | | | | | | | | | | |
| | 87832-2420 | 87832-2422 | 87832-6122 | 87832-6130 | 1 | 2 | | | | | | | | | | | | | | | | | | | | | | | |
| | 87832-2421 | 87832-2423 | 87832-6123 | | 1 | 3 | YES | N.A | YES | YES | YES | | | | | | | | | | | | | | | | | | |
| | 87832-2470 | 87832-2472 | 87832-6172 | | 1 | 4 | | | | | | | | | | | | | | | | | | | | | | | |
| | 87832-2412 | 87832-2416 | 87832-2414 | | 1 | 2 | YES | N.A | YES | YES | N.A | | | | | | | | | | | | | | | 0.15 | 3.60±0.20 | | |

PLATING OPTIONS:

- 1 - 0.05-0.13µm/2-5µin GOLD IN CONTACT AREA AND 1.88µm/75µin MIN. MATTE TIN IN SOLDER TAIL AREA OVER 1.27µm/50µin MIN. NICKEL OVERALL.
- 2 - 0.38µm/15µin MIN. GOLD IN CONTACT AREA AND 1.88µm/75µin MIN. MATTE TIN IN SOLDER TAIL AREA OVER 1.27µm/50µin MIN. NICKEL OVERALL.
- 3 - 0.76µm/30µin MIN. GOLD IN CONTACT AREA AND 1.88µm/75µin MIN. MATTE TIN IN SOLDER TAIL AREA OVER 1.27µm/50µin MIN. NICKEL OVERALL.
- 4 - 2.50µm/100µin MIN. MATTE TIN OVER 1.25µm/50µin MIN. NICKEL OVERALL.

THIS DRAWING CONTAINS INFORMATION THAT IS PROPRIETARY TO MOLEX ELECTRONIC TECHNOLOGIES, LLC AND SHOULD NOT BE USED WITHOUT WRITTEN PERMISSION

| | | | | | | | | |
|--|------------|---------------------------------------|-----------------|--|------------|--------------------------|---------------|--|
| EC NO: 721932 DRWN: DANUSA CHKD: DANUSA REV APPR: MIRAMAKRISHNA | 2022/07/25 | GENERAL TOLERANCES (UNLESS SPECIFIED) | DIMENSION UNITS | | SCALE | | molex® | |
| | 2022/09/20 | | MM | INCH | MM | NTS | | |
| | 2022/09/20 | | 4 PLACES ± | ± | DRWN BY | DATE | | MILLIGRID 2MM PITCH, SMT VERTICAL SHROUDED HEADER |
| | | | 3 PLACES ± | ± | GMENARLY | 2015/05/22 | | |
| | 2 PLACES ± | 0.2 | ± | CHK'D BY | DATE | | | |
| | 1 PLACES ± | ± | ± | CGOH | 2015/09/21 | | | |
| | 0 PLACES ± | ± | ± | APPR BY | DATE | PRODUCT CUSTOMER DRAWING | | |
| | | | | KHLIM | 2015/09/22 | | | |
| | | | | ANGULAR TOL = 3.0 | | | | |
| | | | | DRAFT WHERE APPLICABLE MUST REMAIN WITHIN DIMENSIONS | | | | |
| A21 | REV | | A3 | | | | | |
| SERIES | | MATERIAL NUMBER | | CUSTOMER | | | | |
| 87832 | | SEE TABLE | | GENERAL MARKET | | | | |
| DOCUMENT NUMBER | | | | DOC TYPE | DOC PART | SHEET NUMBER | | |
| SD-87832-0001 | | | | PSD | 001 | 9 OF 13 | | |


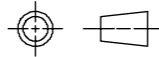
26 TO 38 CIRCUITS

| CKT SIZE | ASSY P/N WITHOUT CAP IN TUBE | ASSY P/N WITH CAP IN TUBE | ASSY P/N WITH CAP IN T&R | ASSY P/N WITHOUT CAP IN T&R | T&R OPTIONS (SEE SHEET 12) | PLATING OPTIONS | FRICTION LOCKS | | DUAL SIDE SLOTS | CENTER POLARIZATION | PEGS | DIMENSION | | | | | | | | | | | | | | | | | | | |
|----------|------------------------------|---------------------------|--------------------------|-----------------------------|----------------------------|-----------------|----------------|--------|-----------------|---------------------|------|-----------|-------|-------|-------|-------|-------|------------|-----------|-----|-----|-----|--|--|--|--|--|--|------|-----------|-----------|
| | | | | | | | DUAL | CENTER | | | | A | B | C | D | E | F | G (COPLAN) | H | | | | | | | | | | | | |
| E 26 | 87832-2660 | 87832-2662 | 87832-6262 | | 1 | 1 | YES | N.A | YES | YES | YES | 28.65 | 26.85 | 24.00 | 20.00 | 22.00 | 27.00 | 0.15 | 3.60±0.20 | | | | | | | | | | | | |
| | 87832-2620 | 87832-2622 | 87832-6222 | | 1 | 2 | | | | | | | | | | | | | | | | | | | | | | | | | |
| | 87832-2621 | 87832-2623 | 87832-6223 | | 1 | 3 | | | | | | | | | | | | | | | | | | | | | | | | | |
| | 87832-2670 | 87832-2672 | 87832-6272 | | 1 | 4 | | | | | | | | | | | | YES | N.A | YES | YES | N.A | | | | | | | 0.15 | 3.60±0.20 | |
| | 87832-2612 | 87832-2616 | N.A | | N.A | 2 | | | | | | | | | | | | | | | | | | | | | | | | | |
| | 87832-2619 | 87832-2645 | 87832-2635 | | 1 | 1 | | | | | | | | | | | | | | | | | | | | | | | | | |
| D 28 | 87832-2860 | 87832-2862 | 87832-6362 | | 1 | 1 | YES | N.A | YES | YES | YES | 30.65 | 28.85 | 26.00 | 22.00 | 24.00 | 29.00 | 0.15 | 3.60±0.20 | | | | | | | | | | | | |
| | 87832-2820 | 87832-2822 | 87832-6322 | | 1 | 2 | | | | | | | | | | | | | | | | | | | | | | | | | |
| | 87832-2821 | 87832-2823 | 87832-6323 | | 1 | 3 | | | | | | | | | | | | | | | | | | | | | | | | | |
| | 87832-2870 | 87832-2872 | 87832-6372 | | 1 | 4 | | | | | | | | | | | | YES | N.A | YES | YES | N.A | | | | | | | | 0.15 | 3.60±0.20 |
| | N.A | 87832-2816 | N.A | | 1 | 2 | | | | | | | | | | | | | | | | | | | | | | | | | |
| | N.A | 87832-2819 | N.A | | 1 | 1 | | | | | | | | | | | | | | | | | | | | | | | | | |
| D 30 | 87832-3060 | 87832-3062 | 87832-6462 | | 1 | 1 | YES | N.A | YES | YES | YES | 32.65 | 30.85 | 28.00 | 24.00 | 26.00 | 31.00 | 0.15 | 3.60±0.20 | | | | | | | | | | | | |
| | 87832-3020 | 87832-3022 | 87832-6422 | | 1 | 2 | | | | | | | | | | | | | | | | | | | | | | | | | |
| | 87832-3021 | 87832-3023 | 87832-6423 | | 1 | 3 | | | | | | | | | | | | | | | | | | | | | | | | | |
| | 87832-3070 | 87832-3072 | 87832-6472 | | 1 | 4 | | | | | | | | | | | | YES | N.A | YES | YES | N.A | | | | | | | | 0.15 | 3.60±0.20 |
| | 87832-3012 | 87832-3016 | 87832-3014 | | 3 | 2 | | | | | | | | | | | | | | | | | | | | | | | | | |
| | | | | | | | | | | | | | | | | | | | | | | | | | | | | | | | |
| C 32 | 87832-3260 | 87832-3262 | 87832-6562 | | 1 | 1 | YES | N.A | YES | YES | YES | 34.65 | 32.85 | 30.00 | 26.00 | 28.00 | 33.00 | 0.15 | 3.60±0.20 | | | | | | | | | | | | |
| | 87832-3220 | 87832-3222 | 87832-6522 | | 1 | 2 | | | | | | | | | | | | | | | | | | | | | | | | | |
| | 87832-3221 | 87832-3223 | 87832-6523 | | 1 | 3 | | | | | | | | | | | | | | | | | | | | | | | | | |
| | 87832-3270 | 87832-3272 | 87832-6572 | | 1 | 4 | | | | | | | | | | | | | | | | | | | | | | | | | |
| C 34 | 87832-3460 | 87832-3462 | 87832-6662 | 87832-6630 | 1 | 1 | YES | N.A | YES | YES | YES | 36.65 | 34.85 | 32.00 | 28.00 | 30.00 | 35.00 | 0.15 | 3.60±0.20 | | | | | | | | | | | | |
| | 87832-3420 | 87832-3422 | 87832-6622 | | 1 | 2 | | | | | | | | | | | | | | | | | | | | | | | | | |
| | 87832-3421 | 87832-3423 | 87832-6623 | | 1 | 3 | | | | | | | | | | | | | | | | | | | | | | | | | |
| | 87832-3470 | 87832-3472 | 87832-6672 | | 1 | 4 | | | | | | | | | | | | YES | N.A | YES | YES | N.A | | | | | | | 0.15 | 3.60±0.20 | |
| | 87832-3412 | 87832-3416 | 87832-3414 | | 3 | 2 | | | | | | | | | | | | | | | | | | | | | | | | | |
| | 87832-3419 | 87832-3445 | 87832-3435 | | 3 | 1 | | | | | | | | | | | | | | | | | | | | | | | | | |
| B 36 | 87832-3660 | 87832-3662 | N.A | | N.A | 1 | YES | N.A | YES | YES | YES | 38.65 | 36.85 | 34.00 | 30.00 | 32.00 | 37.00 | 0.15 | 3.60±0.20 | | | | | | | | | | | | |
| | 87832-3620 | 87832-3622 | N.A | | N.A | 2 | | | | | | | | | | | | | | | | | | | | | | | | | |
| | 87832-3621 | 87832-3623 | 87832-3673 | | N.A | 3 | | | | | | | | | | | | | | | | | | | | | | | | | |
| | 87832-3670 | 87832-3672 | N.A | | N.A | 4 | | | | | | | | | | | | | | | | | | | | | | | | | |
| B 38 | 87832-3860 | 87832-3862 | N.A | | N.A | 1 | YES | N.A | YES | YES | YES | 40.65 | 38.85 | 36.00 | 32.00 | 34.00 | 39.00 | 0.15 | 3.60±0.20 | | | | | | | | | | | | |
| | 87832-3820 | 87832-3822 | 87832-6822 | | N.A | 2 | | | | | | | | | | | | | | | | | | | | | | | | | |
| | 87832-3821 | 87832-3823 | 87832-3874 | | N.A | 3 | | | | | | | | | | | | | | | | | | | | | | | | | |
| | 87832-3870 | 87832-3872 | N.A | | N.A | 4 | | | | | | | | | | | | | | | | | | | | | | | | | |

PLATING OPTIONS:

- 0.05-0.13µm/2-5µin GOLD IN CONTACT AREA AND 1.88µm/75µin MIN. MATTE TIN IN SOLDER TAIL AREA OVER 1.27µm/50µin MIN. NICKEL OVERALL.
- 0.38µm/15µin MIN. GOLD IN CONTACT AREA AND 1.88µm/75µin MIN. MATTE TIN IN SOLDER TAIL AREA OVER 1.27µm/50µin MIN. NICKEL OVERALL.
- 0.76µm/30µin MIN. GOLD IN CONTACT AREA AND 1.88µm/75µin MIN. MATTE TIN IN SOLDER TAIL AREA OVER 1.27µm/50µin MIN. NICKEL OVERALL.
- 2.50µm/100µin MIN. MATTE TIN OVER 1.25µm/50µin MIN. NICKEL OVERALL.

THIS DRAWING CONTAINS INFORMATION THAT IS PROPRIETARY TO MOLEX ELECTRONIC TECHNOLOGIES, LLC AND SHOULD NOT BE USED WITHOUT WRITTEN PERMISSION

| | | | | | | | | | | | |
|--|--|---------------------------------------|---|-----------------|------------|-------|--|---|--|--|--|
| EC NO: 721932 DRWN: DANUSA CHK'D: DANUSA REV APPR: MRAMAKRISHNA | 2022/07/25 | GENERAL TOLERANCES (UNLESS SPECIFIED) | | DIMENSION UNITS | | SCALE | |  MILLIGRID 2MM PITCH, SMT VERTICAL SHROUDED HEADER PRODUCT CUSTOMER DRAWING SERIES: 87832 MATERIAL NUMBER: SEE TABLE CUSTOMER: GENERAL MARKET DOCUMENT NUMBER: SD-87832-0001 DOC TYPE: PSD DOC PART: 001 SHEET NUMBER: 10 OF 13 | | | |
| | 2022/09/20 | MM | INCH | MM | NTS | | | | | | |
| | 2022/09/20 | DRWN BY | DATE | GMENARLY | 2015/05/22 | | | | | | |
| | | CHK'D BY | DATE | CGOH | 2015/09/21 | | | | | | |
| | APPR BY | DATE | KHLIM | 2015/09/22 | | | | | | | |
| | ANGULAR TOL = 3.0 | DRAWING SIZE | THIRD ANGLE PROJECTION | | | | | | | | |
| | DRAFT WHERE APPLICABLE MUST REMAIN WITHIN DIMENSIONS | A3 |  | | | | | | | | |

| | | | | |
|----------------|----|--------------|------------|----------|
| RELEASE STATUS | P1 | RELEASE DATE | 2022/09/20 | 09:04:31 |
|----------------|----|--------------|------------|----------|

40 TO 50 CIRCUITS

| CKT SIZE | ASSY P/N WITHOUT CAP IN TUBE | ASSY P/N WITH CAP IN TUBE | ASSY P/N WITH CAP IN T&R | ASSY P/N WITHOUT CAP IN T&R | T&R OPTIONS (SEE SHEET 12) | PLATING OPTIONS | FRICTION LOCKS | | DUAL SIDE SLOTS | CENTER POLARIZATION | PEGS | DIMENSION | | | | | | | |
|----------|------------------------------|---------------------------|--------------------------|-----------------------------|----------------------------|-----------------|----------------|--------|-----------------|---------------------|-------|-----------|-------|-------|-------|-------|-------|------------|-----------|
| | | | | | | | DUAL | CENTER | | | | A | B | C | D | E | F | G (COPLAN) | H |
| 40 | 87832-4060 | 87832-4062 | 87832-6962 | | 1 | 1 | | | | | | 42.65 | 40.85 | 38.00 | 34.00 | 36.00 | 41.00 | 0.15 | 3.60±0.20 |
| | 87832-4020 | 87832-4022 | 87832-6922 | | 1 | 2 | YES | N.A | YES | YES | YES | | | | | | | | |
| | 87832-4021 | 87832-4023 | 87832-6923 | | 1 | 3 | | | | | | | | | | | | | |
| | 87832-4070 | 87832-4072 | 87832-6972 | | 1 | 4 | | | | | | | | | | | | | |
| | 87832-4012 | 87832-4016 | N.A | | N.A | 2 | YES | N.A | YES | YES | N.A | | | | | | | 0.15 | 3.60±0.20 |
| 42 | 87832-4260 | 87832-4262 | N.A | | N.A | 1 | | | | | 44.65 | 42.85 | 40.00 | 36.00 | 38.00 | 43.00 | 0.15 | 3.60±0.20 | |
| | 87832-4220 | 87832-4222 | 87832-4230 | | N.A | 2 | YES | N.A | YES | YES | | | | | | | | | |
| | 87832-4221 | 87832-4223 | N.A | | N.A | 3 | | | | | | | | | | | | | |
| | 87832-4270 | 87832-4272 | N.A | | N.A | 4 | | | | | | | | | | | | | |
| 44 | 87832-4460 | 87832-4462 | 87832-7162 | | 1 | 1 | | | | | 46.65 | 44.85 | 42.00 | 38.00 | 40.00 | 45.00 | 0.15 | 3.60±0.20 | |
| | 87832-4420 | 87832-4422 | 87832-7122 | | 1 | 2 | YES | N.A | YES | YES | | | | | | | | | |
| | 87832-4421 | 87832-4423 | 87832-7123 | | 1 | 3 | | | | | | | | | | | | | |
| | 87832-4470 | 87832-4472 | 87832-7172 | | 1 | 4 | | | | | | | | | | | | | |
| | 87832-4413 | 87832-4417 | 87832-4415 | | 3 | 3 | YES | N.A | YES | YES | | | | | | | N.A | 0.15 | 3.60±0.20 |
| 46 | 87832-4660 | 87832-4662 | 87832-7262 | | 1 | 1 | | | | | 48.65 | 46.85 | 44.00 | 40.00 | 42.00 | 47.00 | 0.15 | 3.60±0.20 | |
| | 87832-4620 | 87832-4622 | 87832-7222 | 87832-7230 | 1 | 2 | YES | N.A | YES | YES | | | | | | | | | |
| | 87832-4621 | 87832-4623 | N.A | | N.A | 3 | | | | | | | | | | | | | |
| | 87832-4670 | 87832-4672 | 87832-7272 | | 1 | 4 | | | | | | | | | | | | | |
| 48 | 87832-4860 | 87832-4862 | N.A | | N.A | 1 | | | | | 50.65 | 48.85 | 46.00 | 42.00 | 44.00 | 49.00 | 0.15 | 3.60±0.20 | |
| | 87832-4820 | 87832-4822 | N.A | | N.A | 2 | YES | N.A | YES | YES | | | | | | | | | |
| | 87832-4821 | 87832-4823 | N.A | | N.A | 3 | | | | | | | | | | | | | |
| | 87832-4870 | 87832-4872 | N.A | | N.A | 4 | | | | | | | | | | | | | |
| 50 | 87832-5060 | 87832-5062 | 87832-7462 | | 1 | 1 | | | | | 52.65 | 50.85 | 48.00 | 44.00 | 46.00 | 51.00 | 0.15 | 3.60±0.20 | |
| | 87832-5020 | 87832-5022 | 87832-7422 | | 1 | 2 | YES | N.A | YES | YES | | | | | | | | | |
| | 87832-5021 | 87832-5023 | 87832-7423 | | 1 | 3 | | | | | | | | | | | | | |
| | 87832-5070 | 87832-5072 | 87832-7472 | | 1 | 4 | | | | | | | | | | | | | |
| | 87832-5012 | 87832-5016 | N.A | | N.A | 2 | YES | N.A | YES | YES | N.A | | | | | | 0.15 | 3.60±0.20 | |

PLATING OPTIONS:

- 1 - 0.05-0.13µm/2-5µin GOLD IN CONTACT AREA AND 1.88µm/75µin MIN. MATTE TIN IN SOLDER TAIL AREA OVER 1.27µm/50µin MIN. NICKEL OVERALL.
- 2 - 0.38µm/15µin MIN. GOLD IN CONTACT AREA AND 1.88µm/75µin MIN. MATTE TIN IN SOLDER TAIL AREA OVER 1.27µm/50µin MIN. NICKEL OVERALL.
- 3 - 0.76µm/30µin MIN. GOLD IN CONTACT AREA AND 1.88µm/75µin MIN. MATTE TIN IN SOLDER TAIL AREA OVER 1.27µm/50µin MIN. NICKEL OVERALL.
- 4 - 2.50µm/100µin MIN. MATTE TIN OVER 1.25µm/50µin MIN. NICKEL OVERALL.

RELEASE STATUS | P1 | RELEASE DATE | 2022/09/20 09:04:31

THIS DRAWING CONTAINS INFORMATION THAT IS PROPRIETARY TO MOLEX ELECTRONIC TECHNOLOGIES, LLC AND SHOULD NOT BE USED WITHOUT WRITTEN PERMISSION

| | | | | | | | | | | |
|---|---------------------------------------|--------------|-----------------|------------------------|----------|---|--|--|--|--|
| EC NO: 721932 DRWN: DANUSA CHK'D: DANUSA REV APPR: MIRAMAKRISHNA | GENERAL TOLERANCES (UNLESS SPECIFIED) | | DIMENSION UNITS | | SCALE | | | | | |
| | | | MM | INCH | MM | NTS | | | | |
| | 4 PLACES ± | | | | DRWN BY | DATE | MILLIGRID 2MM PITCH, SMT VERTICAL SHROUDED HEADER PRODUCT CUSTOMER DRAWING | | | |
| | 3 PLACES ± | | | | GMENARLY | 2015/05/22 | | | | |
| | 2 PLACES ± 0.2 | | | | CHK'D BY | DATE | | | | |
| | 1 PLACES ± | | | | CGOH | 2015/09/21 | | | | |
| 0 PLACES ± | | | | APPR BY | DATE | SERIES: 87832 MATERIAL NUMBER: SEE TABLE CUSTOMER: GENERAL MARKET DOCUMENT NUMBER: SD-87832-0001 DOC TYPE: PSD DOC PART: 001 SHEET NUMBER: 11 OF 13 | | | | |
| ANGULAR TOL = 3.0 | | DRAWING SIZE | | THIRD ANGLE PROJECTION | | | | | | |
| DRAFT WHERE APPLICABLE MUST REMAIN WITHIN DIMENSIONS | | A3 | | | | | | | | |

PACKAGING OPTIONS



VIEW FOR 1 SIDE PILOT HOLE



PACKAGING SPECIFICATION TABLE

| | |
|--|--------------|
| TAPE AND REEL PACKAGING | PK-87832-300 |
| TUBE STANDARD PACKAGING | PK-87831-001 |
| TUBE NON-STANDARD PACKAGING FOR: 87832-0411 87832-0824 87832-1072 87832-1412 | PK-87831-002 |

EMBOSSED TAPE & REEL POCKET DESCRIPTIONS

| OPTIONS | CENTER POLARIZATION OPTIONS | | PEG OPTIONS | | PILOT HOLE OPTIONS | |
|---------|-----------------------------|--------------|-------------|-------------|--------------------|----------|
| | ON THE LEFT | ON THE RIGHT | WITH PEG | WITHOUT PEG | 2 SIDES | 1 SIDE |
| 1 | YES | N.A | YES | N.A | CKT 12-50 | CKT 4-10 |
| 2 | N.A | YES | YES | YES | CKT 12-50 | CKT 4-10 |
| 3 | YES | N.A | N.A | YES | CKT 12-50 | CKT 4-10 |

THIS DRAWING CONTAINS INFORMATION THAT IS PROPRIETARY TO MOLEX ELECTRONIC TECHNOLOGIES, LLC AND SHOULD NOT BE USED WITHOUT WRITTEN PERMISSION

| | | | | | | | | | |
|--|----------------|---------------------------------------|--|-----------------|--------------------------|-----------------|--|----------|--------------|
| EC NO: 721932 DRWN: DANUSA CHK'D: DANUSA REV APPR: MRAMAKRISHNA | 2022/07/25 | GENERAL TOLERANCES (UNLESS SPECIFIED) | | DIMENSION UNITS | SCALE | | | | |
| | 2022/09/20 | MM | INCH | MM | NTS | | | | |
| | 2022/09/20 | 4 PLACES ± | ± | DRWN BY | DATE | | MILLIGRID 2MM PITCH, SMT VERTICAL SHROUDED HEADER | | |
| | | 3 PLACES ± | ± | GMENARLY | 2015/05/22 | | | | |
| | 2 PLACES ± 0.2 | ± | CHK'D BY | DATE | PRODUCT CUSTOMER DRAWING | | | | |
| | 1 PLACES ± | ± | CGOH | 2015/09/21 | | | | | |
| | 0 PLACES ± | ± | APPR BY | DATE | SERIES | MATERIAL NUMBER | CUSTOMER | | |
| | | | KHLIM | 2015/09/22 | 87832 | SEE TABLE | GENERAL MARKET | | |
| | | | ANGULAR TOL = 3.0 | DRAWING SIZE | THIRD ANGLE PROJECTION | DOCUMENT NUMBER | DOC TYPE | DOC PART | SHEET NUMBER |
| | | | DRAFT WHERE APPLICABLE MUST REMAIN WITHIN DIMENSIONS | A3 | | SD-87832-0001 | PSD | 001 | 12 OF 13 |

BOARD TO BOARD (BTB) DISTANCE

| HEADER | MATES WITH (RECEPTACLE) | BTB DIST. | PICTORIAL VIEW |
|--------|-------------------------|-----------|----------------|
| 87832 | 79107 | 8.14 | |
| | 78787 | 8.14 | |
| | 79108 | 8.14 | |
| | 79109 | 8.35 | |
| | 78788 | 8.35 | |

| | | | | | | | | | | | | | |
|---|--|-------|--|--|--|------------------------|--|---|--|--------------|-----------------|----------|--------------|
| THIS DRAWING CONTAINS INFORMATION THAT IS PROPRIETARY TO MOLEX ELECTRONIC TECHNOLOGIES, LLC AND SHOULD NOT BE USED WITHOUT WRITTEN PERMISSION | | | | | | | | | | | | | |
| DIMENSION UNITS | | SCALE | | CURRENT REV DESC: | | | | | | molex | | | |
| mm | | NTS | | | | | | | | | | | |
| GENERAL TOLERANCES (UNLESS SPECIFIED) | | | | EC NO: 721932 | | 2022/07/25 | | 2MM PITCH, SMT VERTICAL SHROUDED HEADER | | | | | |
| | | | | DRWN: DANUSA | | 2022/09/20 | | | | | | | |
| | | | | CHK'D: DANUSA | | 2022/09/20 | | PRODUCT CUSTOMER DRAWING | | | | | |
| | | | | APPR: MRAMAKRISHNA | | 2022/09/20 | | | | | | | |
| | | | | INITIAL REVISION: | | | | DOCUMENT NUMBER | | DOC TYPE | DOC PART | REVISION | |
| | | | | DRWN: DRWN BY | | XXXX/XX/XX | | SD-87832-0001 | | PSD | 001 | A21 | |
| | | | | APPR: APPR BY | | XXXX/XX/XX | | | | | | | |
| ANGULAR TOL ± 3.0° | | | | DRAFT WHERE APPLICABLE MUST REMAIN WITHIN DIMENSIONS | | THIRD ANGLE PROJECTION | | DRAWING | | SERIES | MATERIAL NUMBER | CUSTOMER | SHEET NUMBER |
| | | | | | | | | A3-SIZE | | 87832 | GENERAL MARKET | 13 OF 13 | |