

2213189-3 ✓ ACTIVE

LUMAWISE | Inverted Thru-Board

TE Internal #: 2213189-3

Poke-In Connectors, Wire-to-Board, 2 Position, .12 in [3.3 mm]
Centerline, Printed Circuit Board, Height .3 in [7.5 mm], Inverted
Thru-Board

[View on TE.com >](#)



Connectors > Lighting Connectors > Poke-In Connectors



Connector System: **Wire-to-Board**

Number of Positions: **2**

Centerline (Pitch): **3.3 mm [.12 in]**

Connector & Contact Terminates To: **Printed Circuit Board**

Connector Height: **7.5 mm [.3 in]**

Features

Product Type Features

Connector System	Wire-to-Board
Connector & Contact Terminates To	Printed Circuit Board

Configuration Features

Number of Positions	2
---------------------	---

Electrical Characteristics

Operating Voltage	400 VAC
-------------------	---------

Body Features

Primary Product Color	Natural
-----------------------	---------

Contact Features

Contact Pitch	98.4 μ in
Contact Mating Area Plating Material	Tin
Contact Mating Area Plating Material Finish	Matte
Contact Current Rating (Max)	3 A

Termination Features

Termination Method to Printed Circuit Board	Surface Mount
---	---------------

Mechanical Attachment

Connector Mounting Type	Board Mount
-------------------------	-------------

Housing Features

Centerline (Pitch)	3.3 mm [.12 in]
--------------------	-----------------

Dimensions

Connector Height	7.5 mm [.3 in]
------------------	----------------

Wire Size	22 – 18 AWG
-----------	-------------

Usage Conditions

Operating Temperature Range	-40 – 130 °C [-40 – 266 °F]
-----------------------------	-----------------------------

Operation/Application

Circuit Application	Power
---------------------	-------

Product Compliance

[For compliance documentation, visit the product page on TE.com>](#)

EU RoHS Directive 2011/65/EU	Compliant
EU ELV Directive 2000/53/EC	Compliant
China RoHS 2 Directive MIIT Order No 32, 2016	No Restricted Materials Above Threshold
EU REACH Regulation (EC) No. 1907/2006	Current ECHA Candidate List: JUNE 2023 (235) Candidate List Declared Against: JUNE 2023 (235) Does not contain REACH SVHC
Halogen Content	Low Halogen - Br, Cl, F, I < 900 ppm per homogenous material. Also BFR/CFR/PVC Free
Solder Process Capability	Reflow solder capable to 260°C

Product Compliance Disclaimer

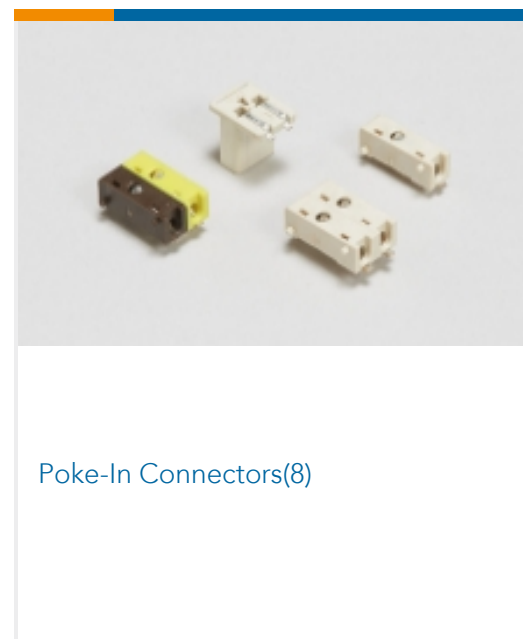
This information is provided based on reasonable inquiry of our suppliers and represents our current actual knowledge based on the information they provided. This information is subject to change. The part numbers that TE has identified as EU RoHS compliant have a maximum concentration of 0.1% by weight in homogenous materials for lead, hexavalent chromium, mercury, PBB, PBDE, DBP, BBP, DEHP, DIBP, and 0.01% for cadmium, or qualify for an exemption to these limits as defined in the Annexes of Directive 2011/65/EU (RoHS2). Finished electrical and electronic equipment products will be CE marked as required by Directive 2011/65/EU. Components may not be CE marked. Additionally, the part numbers that TE has identified as EU ELV compliant have a maximum concentration of 0.1% by weight in homogenous materials for lead, hexavalent chromium, and mercury, and 0.01% for cadmium, or qualify for an exemption to these limits as defined in the Annexes of Directive 2000/53/EC (ELV). Regarding the REACH Regulation, the information TE provides

on SVHC in articles for this part number is based on the latest European Chemicals Agency (ECHA) 'Guidance on requirements for substances in articles' posted at this URL: <https://echa.europa.eu/guidance-documents/guidance-on-reach>

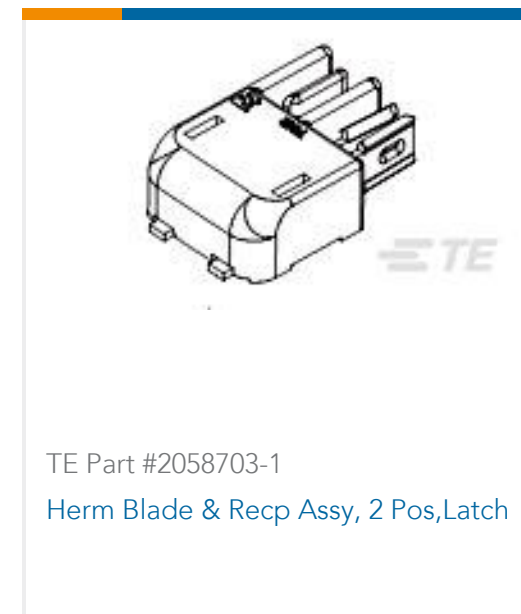
Compatible Parts

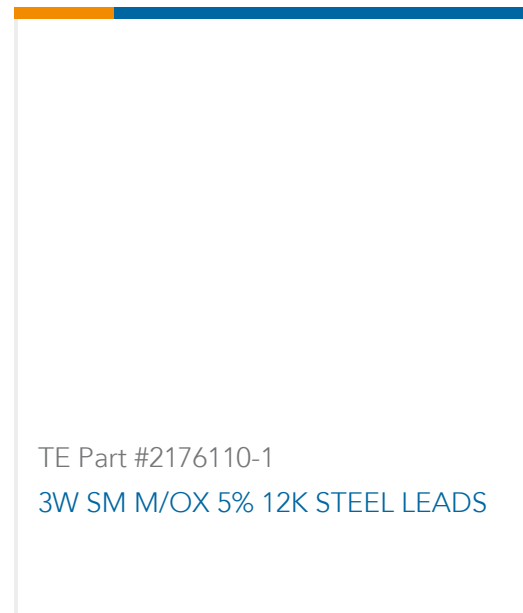
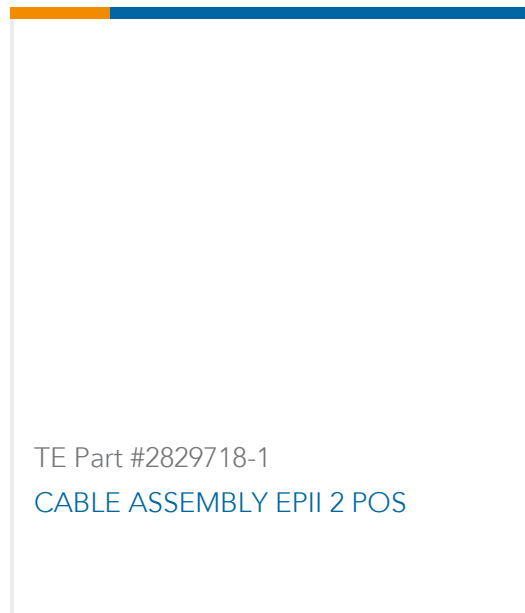


Also in the Series | Inverted Thru-Board



Customers Also Bought





Documents

Product Drawings

[Assembly, IPI Connector 22-18GA w cap](#)

English

CAD Files

[3D PDF](#)

3D

[Customer View Model](#)

[ENG_CVM_CVM_2213189-3_A.2d_dxf.zip](#)

English

[Customer View Model](#)

[ENG_CVM_CVM_2213189-3_A.3d_igs.zip](#)

English

[Customer View Model](#)

[ENG_CVM_CVM_2213189-3_A.3d_stp.zip](#)

English

By downloading the CAD file I accept and agree to the [Terms and Conditions](#) of use.

Datasheets & Catalog Pages

[Inverted Thru Board Interconnects](#)

[Inverted Thru Board Interconnects](#)

English

[Inverted Card Edge & Poke In Connector Brochure](#)

English

Product Specifications

[Application Specification](#)

English

Agency Approvals

[Inverted Thru Board Connectors to IEC 60998](#)

English

[Inverted Thru Board Connectors to IEC 60998](#)

English