

PLEASE CHECK WWW.MOLEX.COM FOR LATEST PART INFORMATION

Part Number: [0859993255](#)
Status: **Active**
Overview: [Modular Jacks and Plugs](#)
Description: Blind Plug Dust Cover for 8 Position Modular Jack

Documents:

[3D Model](#) [RoHS Certificate of Compliance \(PDF\)](#)
[Drawing \(PDF\)](#)

General

| | |
|----------------|---|
| Product Family | Accessories |
| Series | 90075 |
| Component Type | Dust Cover |
| Overview | Modular Jacks and Plugs |
| Product Name | RJ45 |
| UPC | 800754859783 |

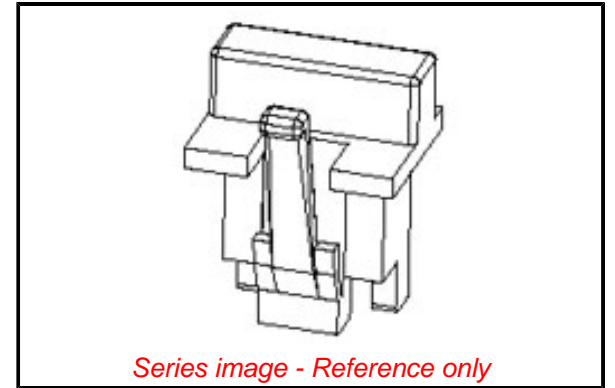
Physical

| | |
|-------------------------------|----------------|
| Circuits (Loaded) | 8 |
| Net Weight | 1.350/g |
| Packaging Type | Bag |
| Temperature Range - Operating | -40°C to +80°C |

Material Info

Reference - Drawing Numbers

| | |
|---------------|--------------|
| Sales Drawing | SD-85999-056 |
|---------------|--------------|



EU ELV

Not Relevant

EU RoHS

Compliant

REACH SVHC

Not Contained Per -
ED/21/2016 (20 June
2016)

Halogen-Free

Status

Low-Halogen

**Need more information on product
environmental compliance?**

Email productcompliance@molex.com
Please visit the [Contact Us](#) section for any
non-product compliance questions.

| | |
|-----------------|---------------|
| China ROHS | Green Image |
| ELV | Not Relevant |
| RoHS Phthalates | Not Contained |

Search Parts in this Series

[90075 Series](#)

Use With

8 Position Modular Jacks