

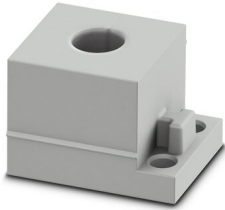
Cable sleeve - CES-STPG-GY-11



0801683

<https://www.phoenixcontact.com/us/products/0801683>

Please be informed that the data shown in this PDF document is generated from our Online Catalog. Please find the complete data in the user documentation. Our General Terms of Use for Downloads are valid.



Cable sleeve, no. of conductors: 1, length: 29.5 mm, width: 19.5 mm, height: 17 mm, external cable diameter: 1x 10 mm ... 11 mm

Product Description

Slotted cable sleeve

Cable sleeve - CES-STPG-GY-11



0801683

<https://www.phoenixcontact.com/us/products/0801683>

Commercial Data

Item number	0801683
Packing unit	1 pc
Minimum order quantity	10 pc
Sales Key	B10
Product Key	BF7CCX
Catalog Page	Page 680 (C-2-2019)
GTIN	4046356674874
Weight per Piece (including packing)	6.66 g
Weight per Piece (excluding packing)	6.51 g
Customs tariff number	40169997
Country of origin	PL

Cable sleeve - CES-STPG-GY-11

0801683

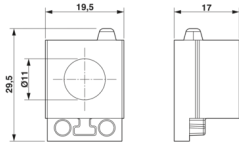
<https://www.phoenixcontact.com/us/products/0801683>

Technical Data

Product properties

Product type	Cable sleeve
No. of conductors	1

Dimensions

Dimensional drawing	
Width	19.5 mm
Height	17 mm
Length	29.5 mm

Material specifications

Color	gray
Material	SEBS
Material	SEBS (halogen-free)
Flammability rating according to UL 94	V0

Connector

Seal size	small
-----------	-------

Cable / line

Cable structure

External cable diameter	1x 10 mm ... 11 mm
-------------------------	--------------------

Environmental and real-life conditions

Ambient conditions

Degree of protection	IP54
Ambient temperature (operation)	-40 °C ... 80 °C (static)

Cable sleeve - CES-STPG-GY-11

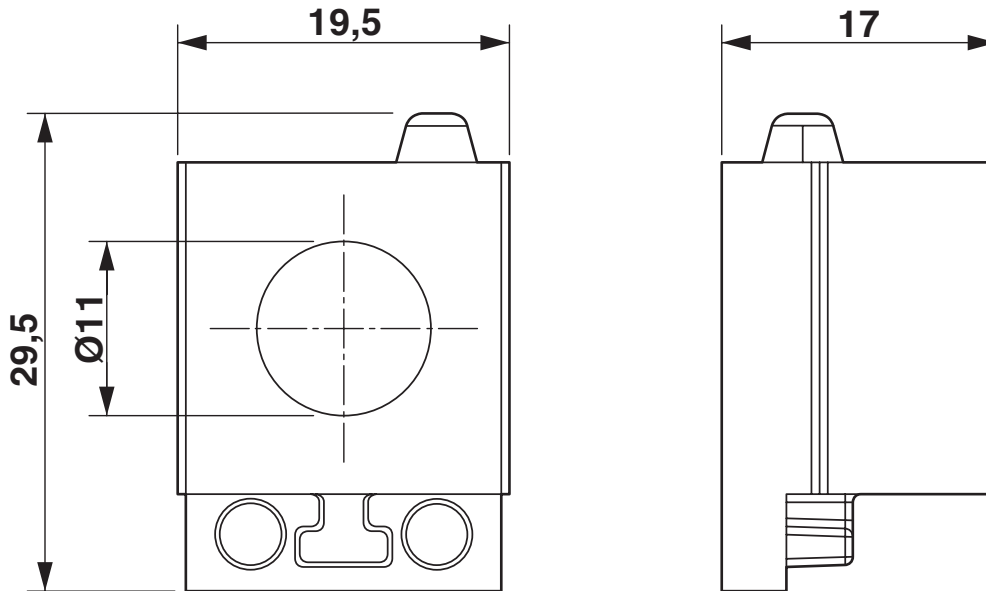
0801683

<https://www.phoenixcontact.com/us/products/0801683>



Drawings

Dimensional drawing



Dimensional drawing

Cable sleeve - CES-STPG-GY-11



0801683

<https://www.phoenixcontact.com/us/products/0801683>

Approvals



cUL Recognized

Approval ID: NITW8.E255026



UL Recognized

Approval ID: NITW2.E255026

DNV

Approval ID: TAE00003VJ

cULus Recognized

Cable sleeve - CES-STPG-GY-11



0801683

<https://www.phoenixcontact.com/us/products/0801683>

Classifications

ECLASS

ECLASS-9.0	27144425
ECLASS-10.0.1	27144425
ECLASS-11.0	27144425

ETIM

ETIM 8.0	EC000451
----------	----------

UNSPSC

UNSPSC 21.0	39121400
-------------	----------

Cable sleeve - CES-STPG-GY-11



0801683

<https://www.phoenixcontact.com/us/products/0801683>

Environmental Product Compliance

China RoHS	Environmentally friendly use period: unlimited = EFUP-e
	No hazardous substances above threshold values

Cable sleeve - CES-STPG-GY-11

0801683

<https://www.phoenixcontact.com/us/products/0801683>



Accessories

Filler plugs

Filler plugs - KDT-ST 11 - 3064001

<https://www.phoenixcontact.com/us/products/3064001>

Filler plugs, length: 20 mm, diameter: 11 mm



Phoenix Contact 2022 © - all rights reserved
<https://www.phoenixcontact.com>

Phoenix Contact USA
586 Fulling Mill Road
Middletown, PA 17057, United States
(+717) 944-1300
info@phoenixcon.com