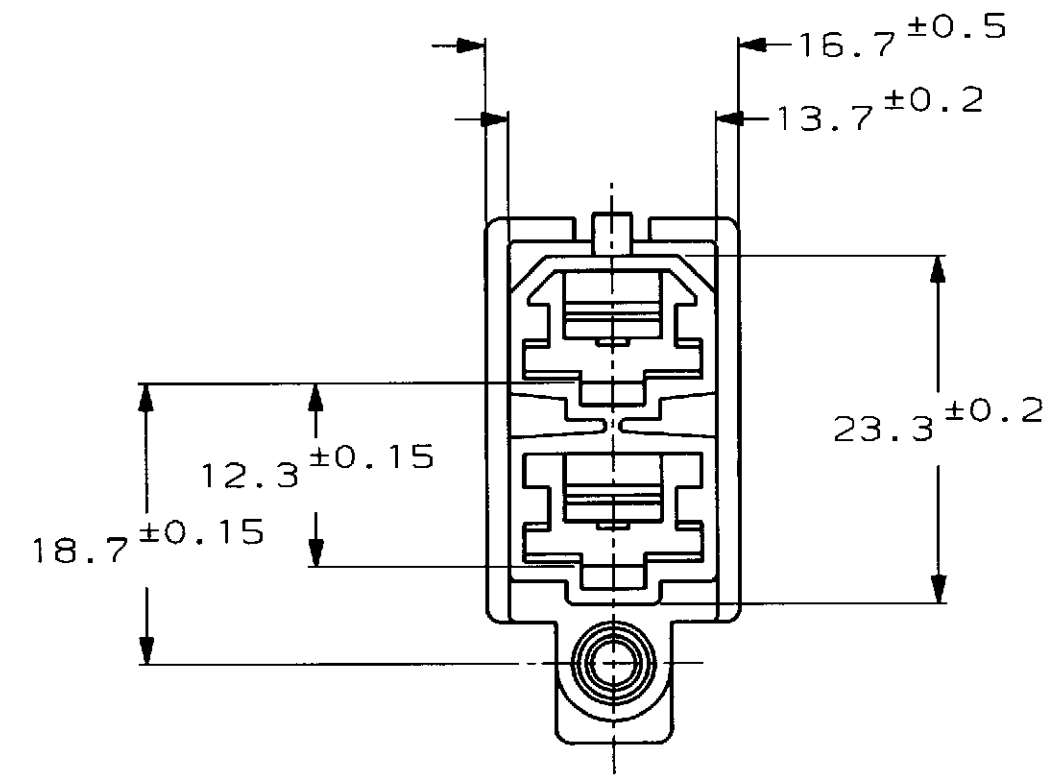
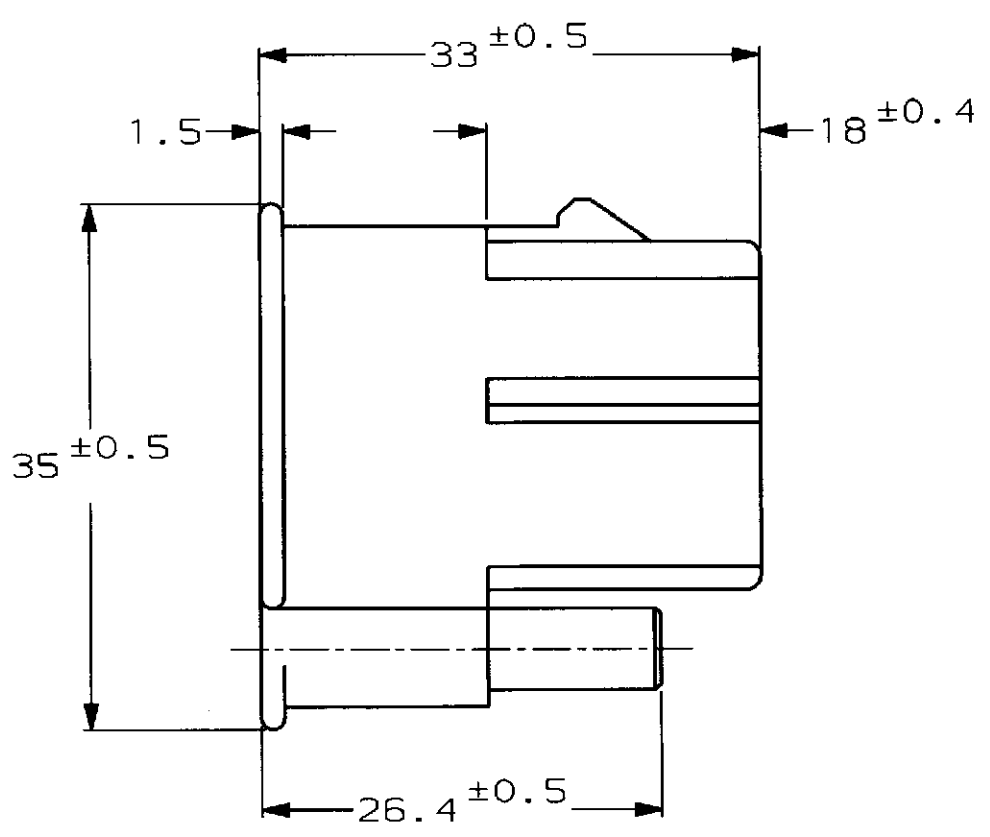
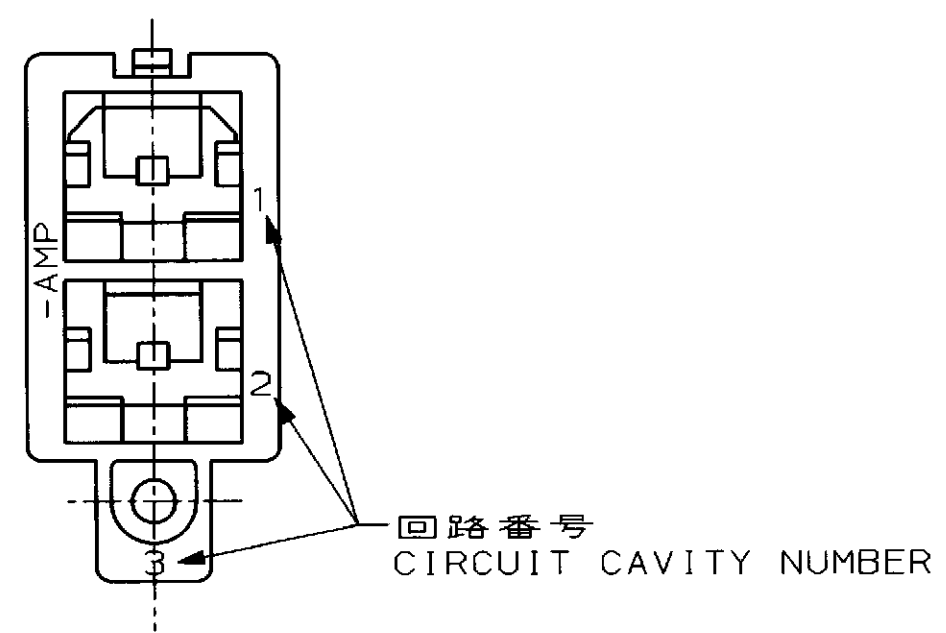
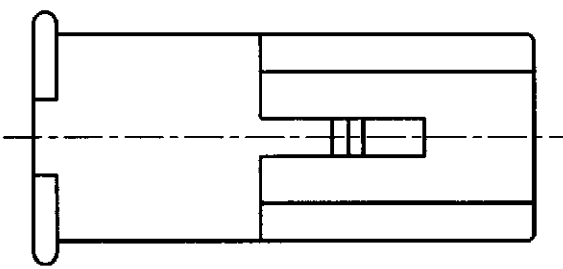


REVISIONS					
P	LYR	DESCRIPTION	ECN	DATE	APVD
C		REDRAWN W/CHANGE	FJ00-1090-98	05.30.98	TS



- 1 THE MATING CAP HOUSING PART NUMBER; 171449  
 2 APPLIED CONTACT PART NUMBER; 280076, 280077, 151667, 350536, 350550
- 1 嵌合相手ハウジング型番 ; 171449  
 2 内装するタブコンタクト型番 ; 280076, 280077, 151667  
 メイテンロックピン型番 ; 350536, 350550

BROWN 茶	171447-3
BLACK 黒	171447-2
NATURAL 自然色	171447-1
COLOR 色	PART NUMBER 型番

THIS DRAWING IS A CONTROLLED DOCUMENT FOR AMP INCORPORATED. IT IS SUBJECT TO CHANGE AND THE CONTROLLING ENGINEERING ORGANIZATION SHOULD BE CONTACTED FOR THE LATEST REVISION.		APVD <i>[Signature]</i> 05.30.98	NAME AMP 日本エーエムピー株式会社 Kawasaki, Japan
DIMENSIONS 単位 概 mm	TOLERANCES UNLESS OTHERWISE SPECIFIED 一般公差 10mm ±0.2 30mm ±0.25 100mm ±0.3 ANGLE ±0.3°	PRODUCT SPEC 製品規格 108-5094	SIZE A2
MATERIAL 材料 66 NYLON 66ナイロン	FINISH 仕上	APPLICATION SPEC 取付適用規格 -/-	DRAWING NO 171447
WEIGHT 4.7g		SCALE 2:1	
CUSTOMER DRAWING		SHEET 1 OF 1 REV C	

# Mouser Electronics

Authorized Distributor

Click to View Pricing, Inventory, Delivery & Lifecycle Information:

[TE Connectivity:](#)

[171447-3](#)